

Read these assembly instructions carefully before you begin.



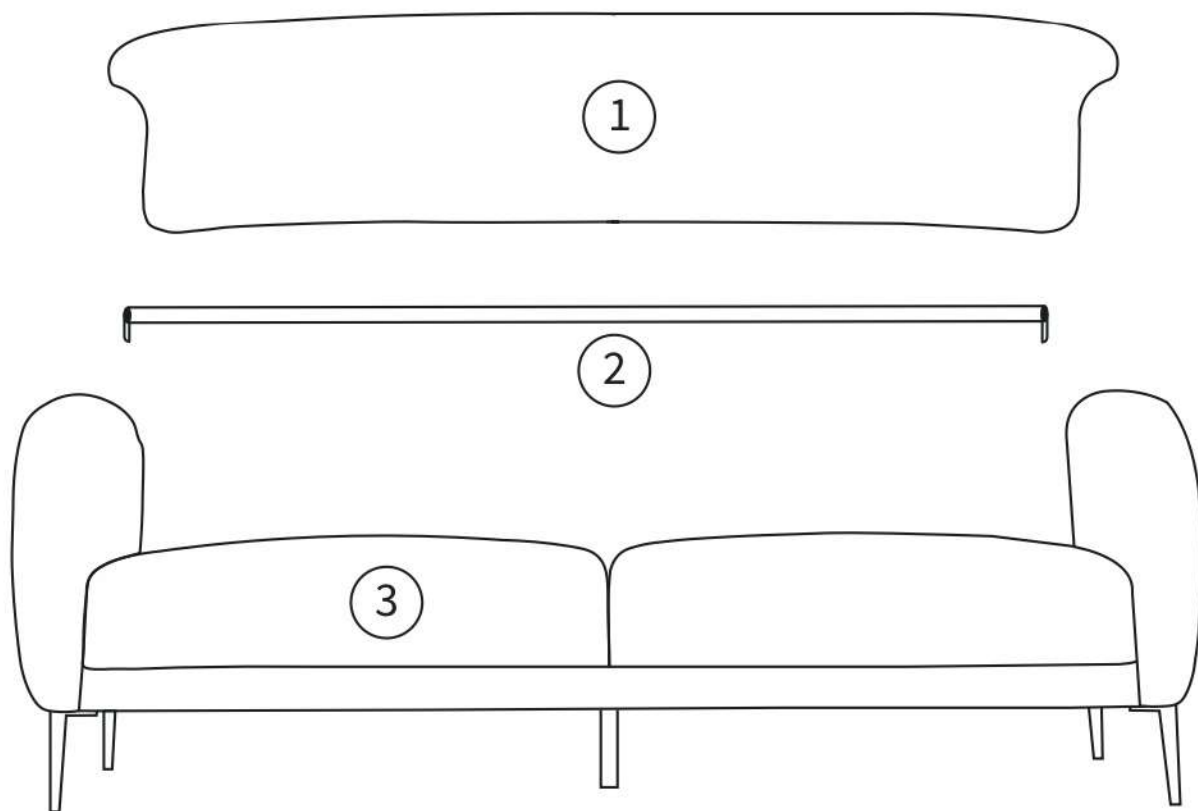
Two people are required to assemble and move this seat.



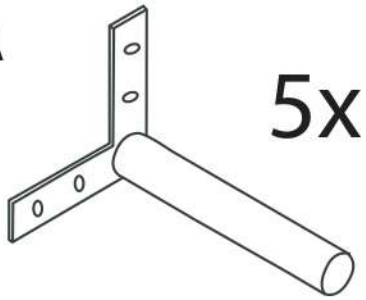
Safety is Priority! Do not allow children to climb or play on furniture.



You can clean fabric seats with a mild cleaner spray or warm soapy water. It is recommended to use leather cleaner and protective products for leather seats. You can clean suede seats with a suede brush or suede cleaner spray. However, it is important that you use cleaning products appropriate for the type of your sofa and the manufacturer's instructions.



A



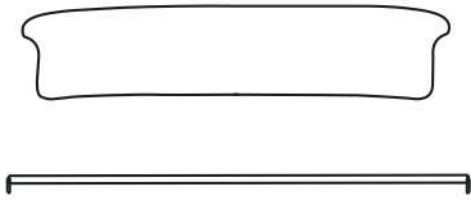
5x

B

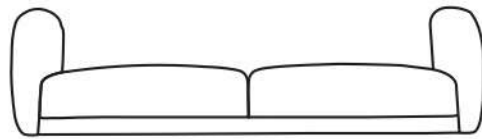


20x

C



D



E



F



G



