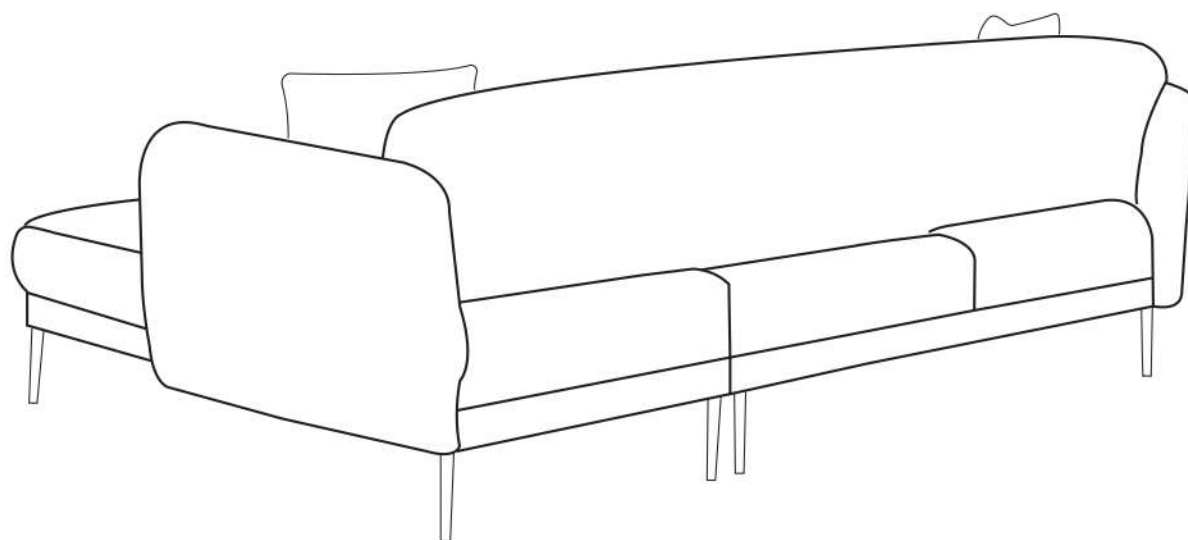
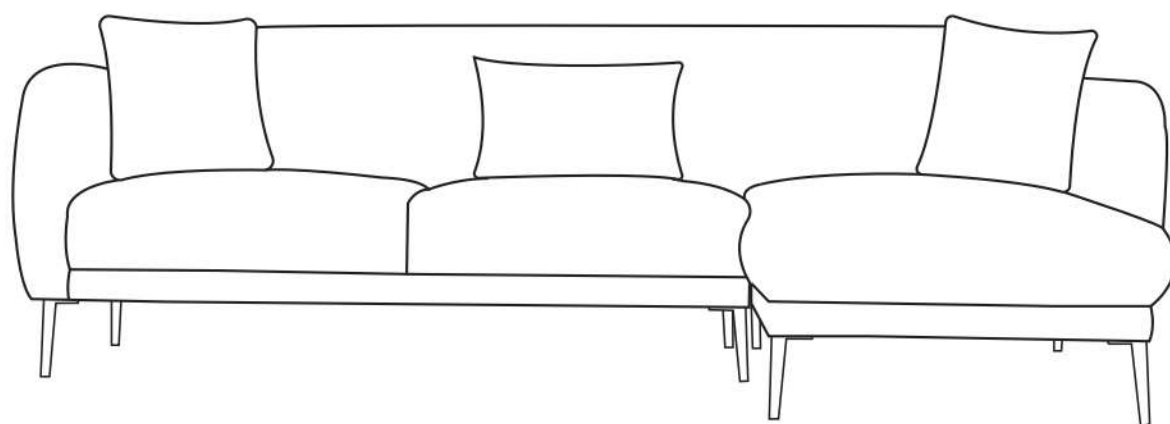


Venus Corner Sofa Assembly Guide



Before starting, carefully read these assembly instructions.



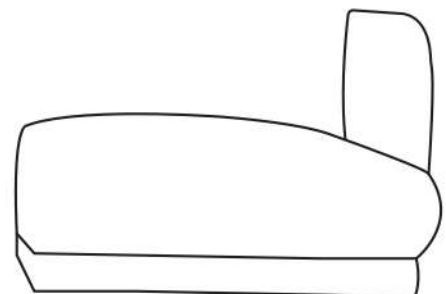
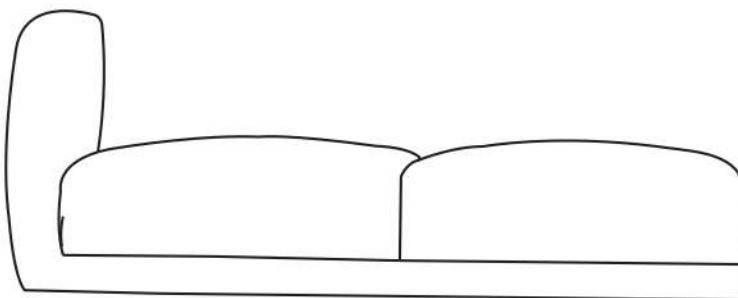
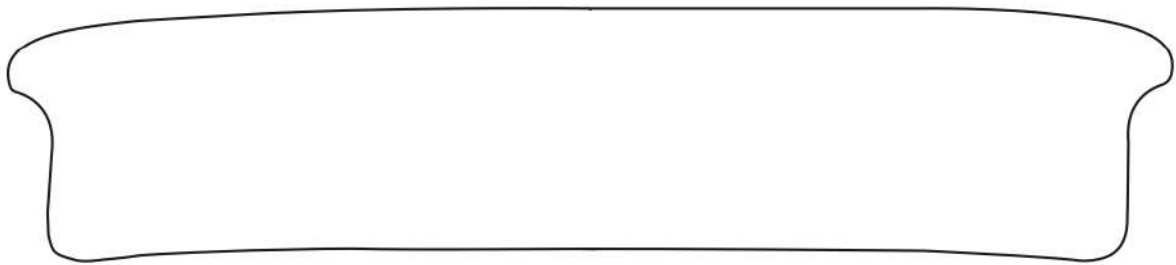
Two people are required to assemble and move this sofa.



Safety First! Do not allow children to climb on or play with the furniture.



You can clean fabric sofas with a mild fabric cleaner spray or by using soapy water first. For leather sofas, it is recommended to use leather cleaner and protective products. Suede sofas can be cleaned with a suede brush or suede cleaner spray. However, it is important to use cleaning products suitable for the type of sofa you have and to follow the manufacturer's instructions.



A



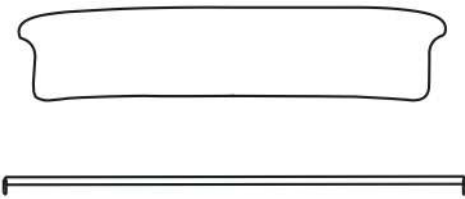
8x

B

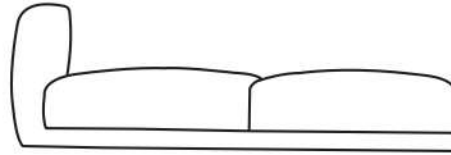


32x

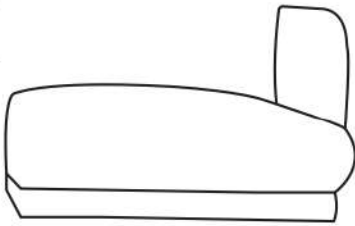
C



D



E



F



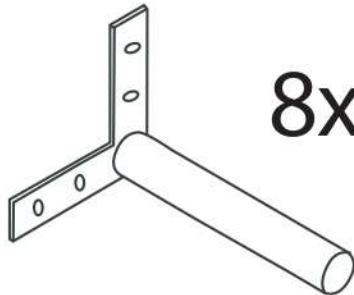
G



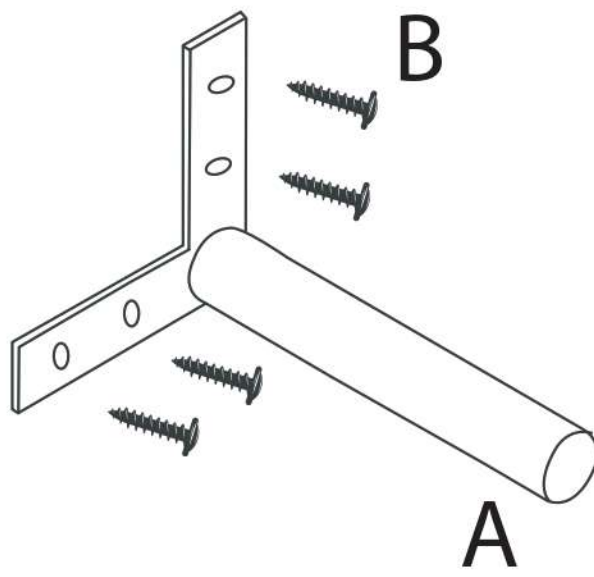
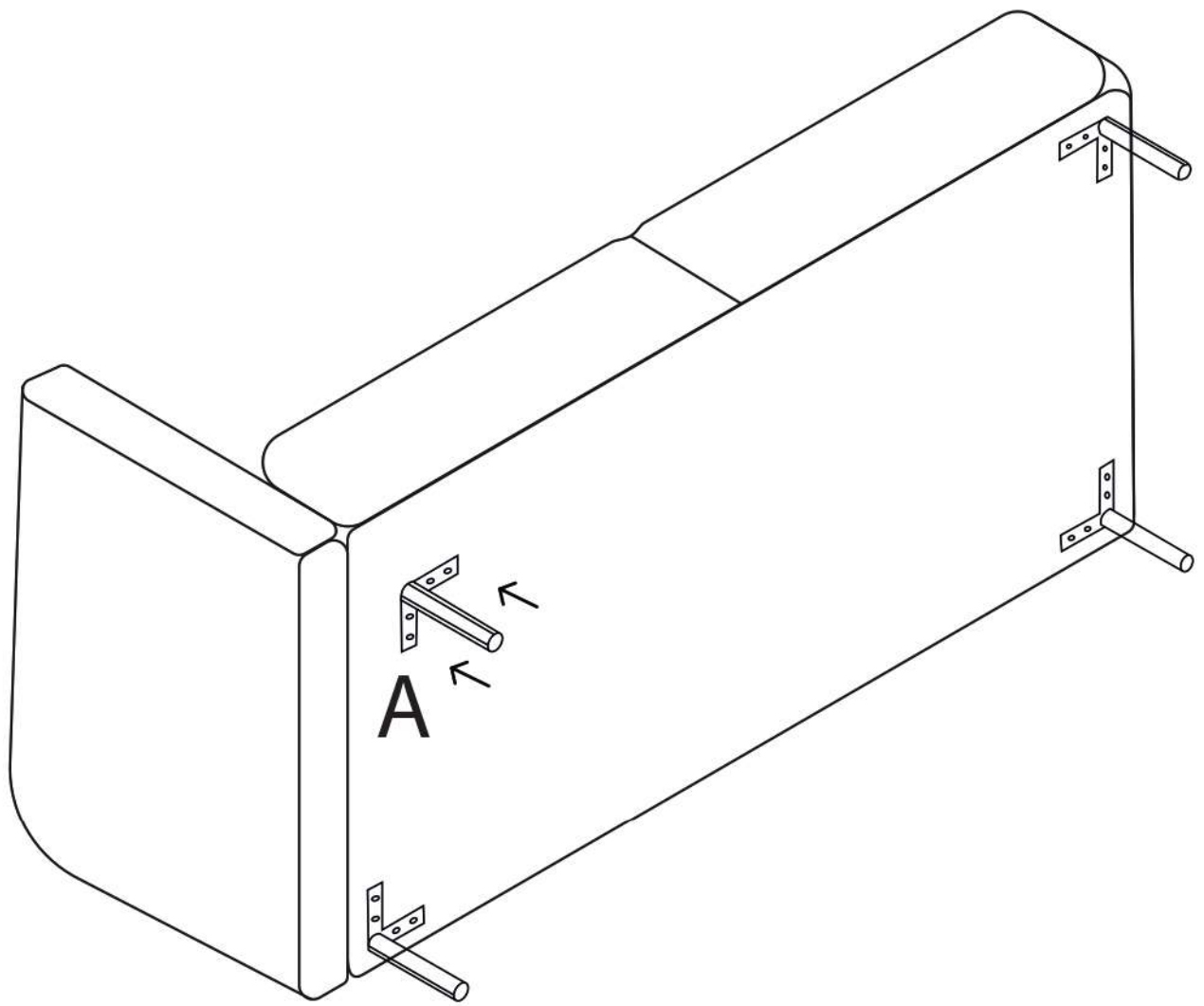
H

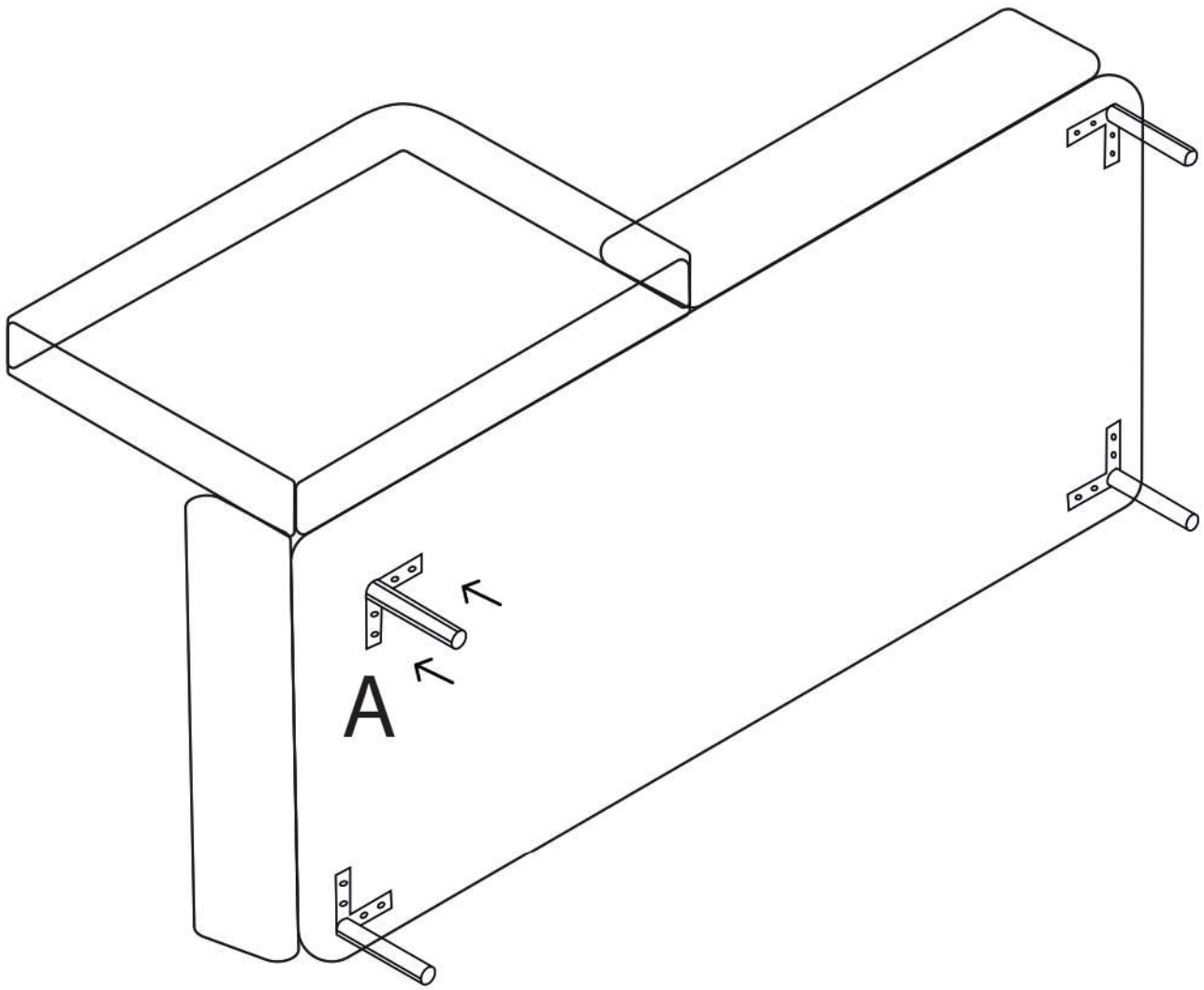


J

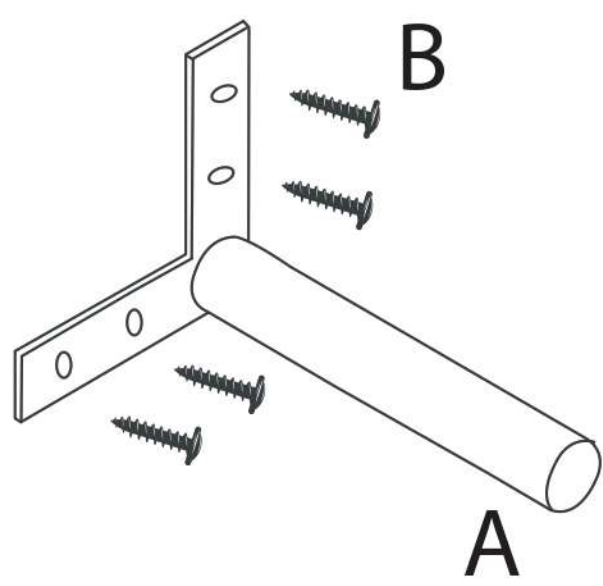


8x





A



B

A



