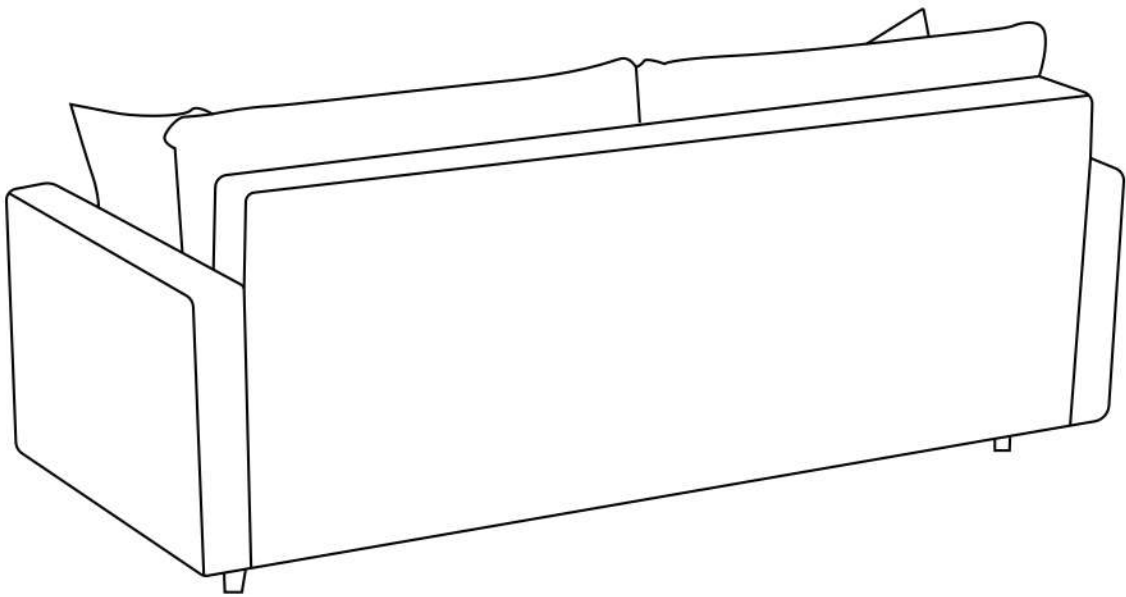
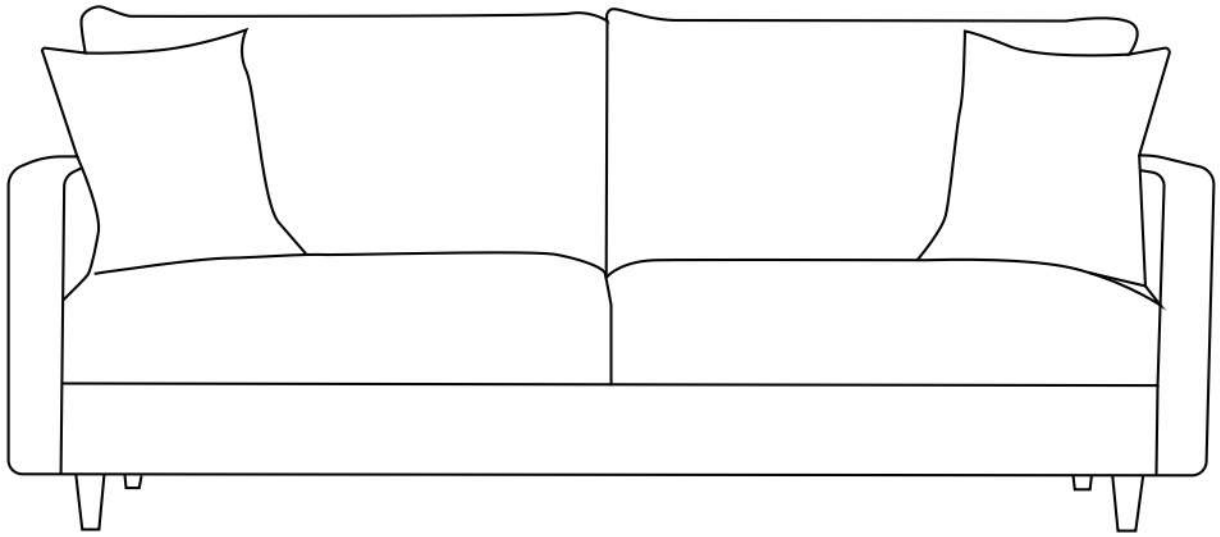


INSTALLATION GUIDE



Before you begin, carefully read these assembly instructions.



Two people are required to assemble and move the sofa.



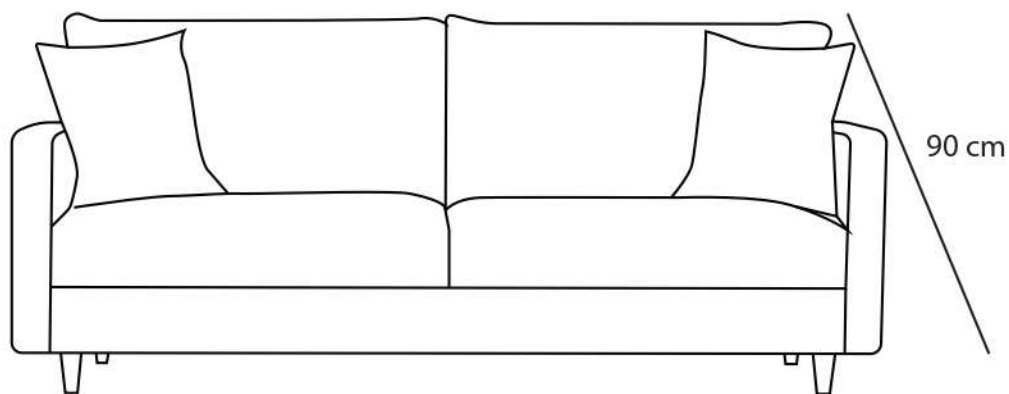
Safety First! Do not allow children to hold or play with the furniture.



To clean fabric sofas, use a light upholstery cleaner spray or a mixture of warm soapy water. For leather sofas, it is recommended to use leather cleaner and conditioner products. Suede sofas should be cleaned with a suede brush or a suede cleaner spray. It is important to use cleaning products suitable for this sofa and to follow the manufacturer's instructions to help extend the product's lifespan.

210 cm

82 cm



90 cm

A



Middle Stand (with screws) 10 pcs

B



5x50 mm Screw
10 Pieces

C

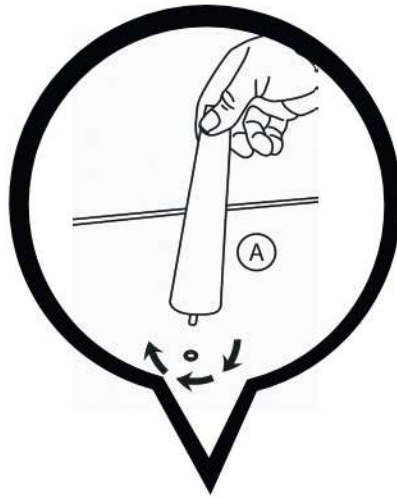


(Not included.)

D



(Not included.)



You can complete the assembly by turning
the feet that come with the product.

