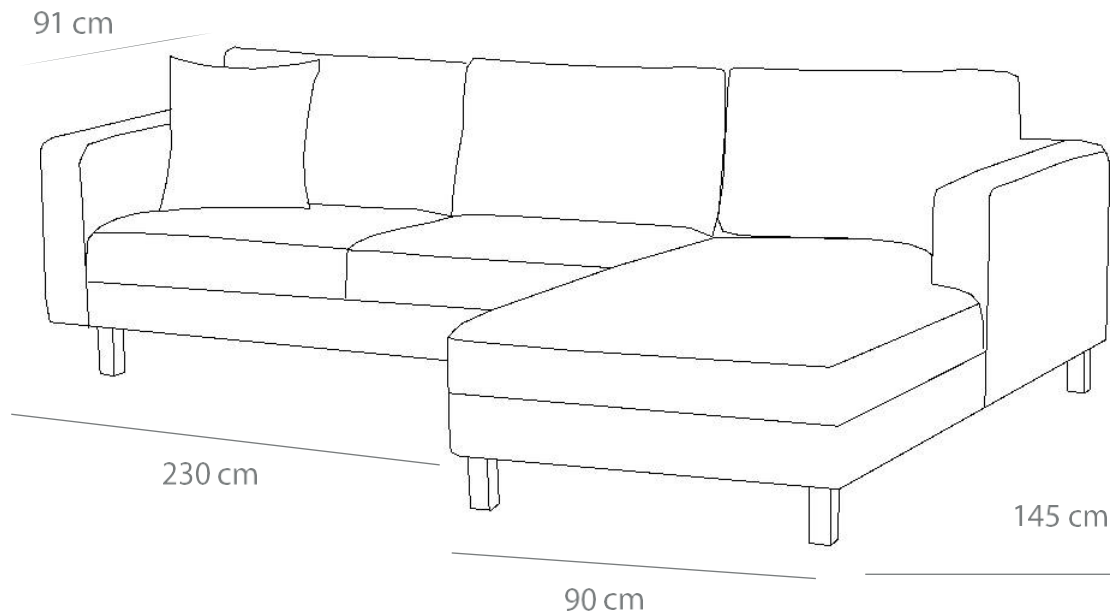


## CORNER SOFA / MANUAL INSTRUCTION /825BLC2807



### Features of the product

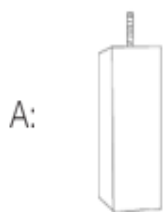
**Fabric:** 100% PES

**Legs:** Wood with black color

**Package:** Feet and fasteners are included in the product package.

**Installation:** Only the legs of the product are shipped disassembled. You can assemble the legs with a cordless screwdriver.

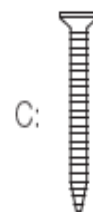
### LISTS OF THE ACCESSORIES;



**Plastic leg (x10)**

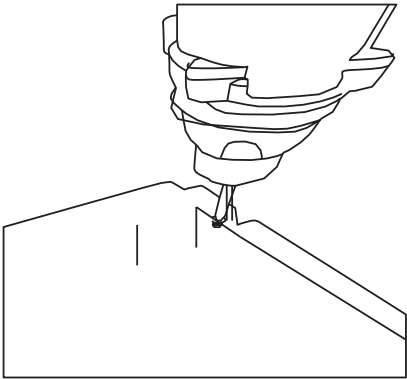


**Plastic leg (x10)**

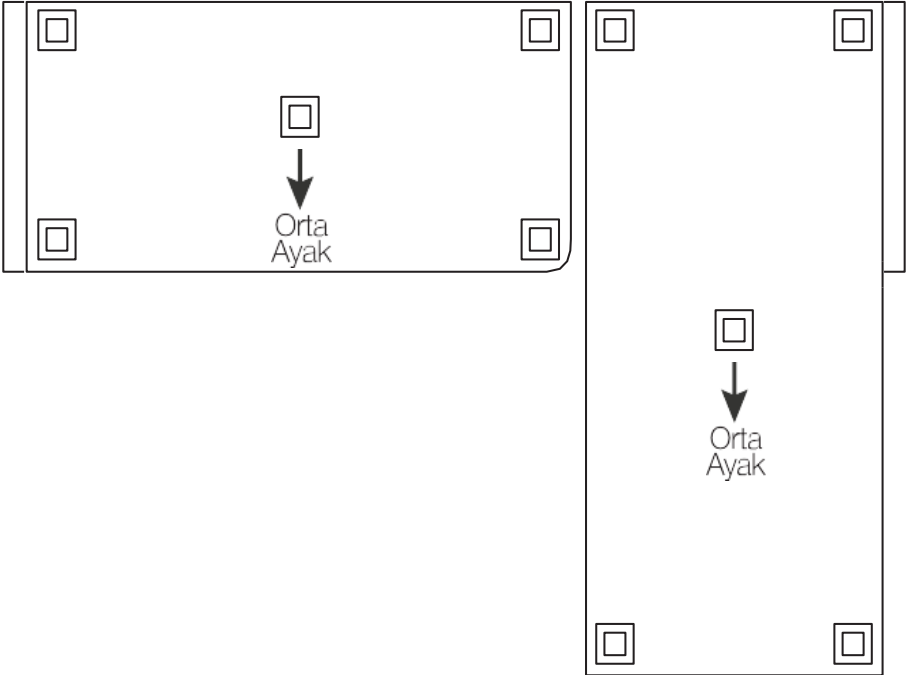


**5x5 mm Screw (x40)**

The inner plastic foot will be mounted first in the specified corner. When positioning the foot, mount it with a model foot with 4 corner screws and 5x5 mm screws. If it is a rotary stand, you can turn the model by turning it.



5 legs must be mounted on the sofa part and 5 feet on the foot extension part.



4 legs should be mounted at the corners of the product and 1 leg should be mounted in the middle leg.

The 5 legs will be mounted on the wedge in the middle of the product when it is turned upside down.