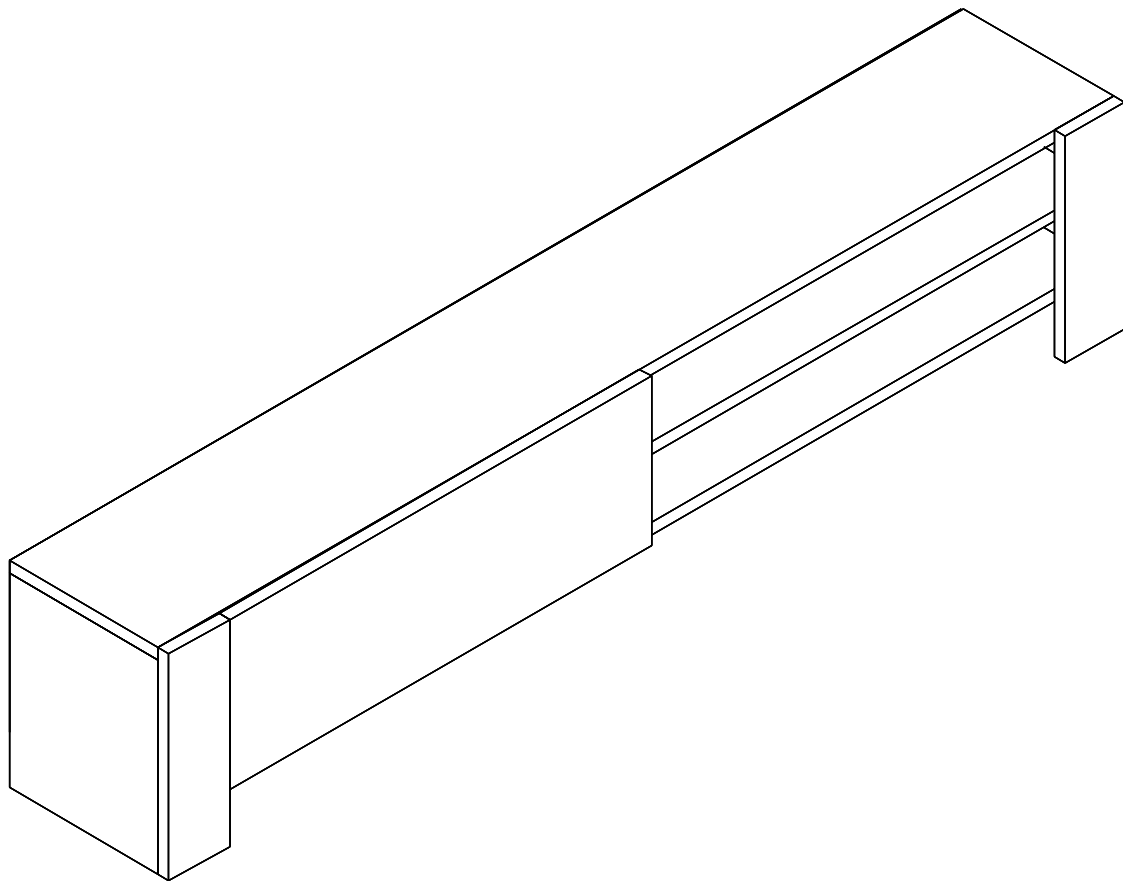
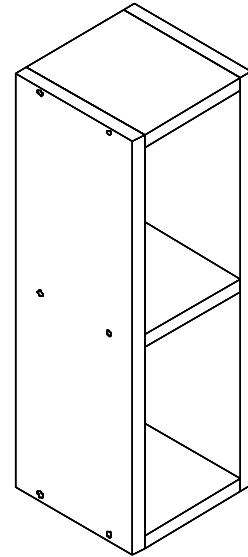


PINA TV UNIT ASSEMBLY INTRUCTION

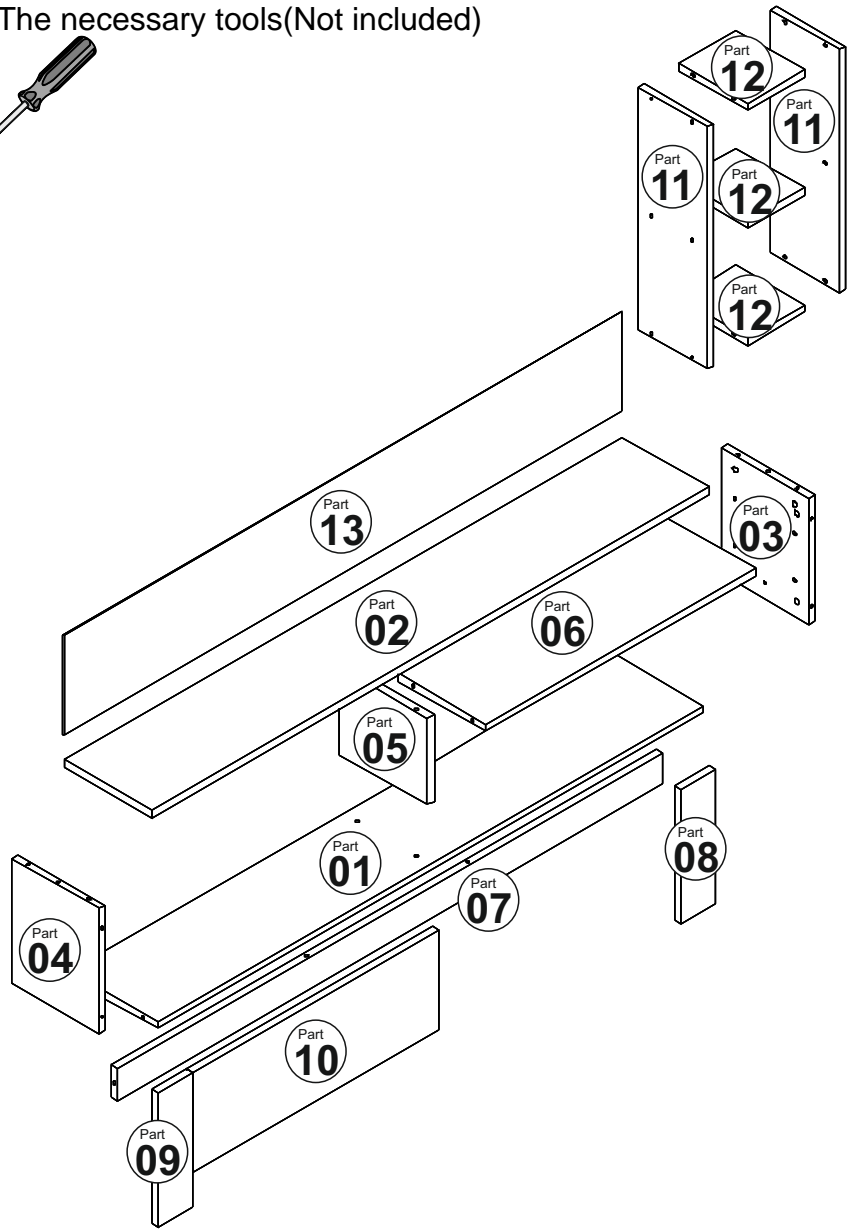
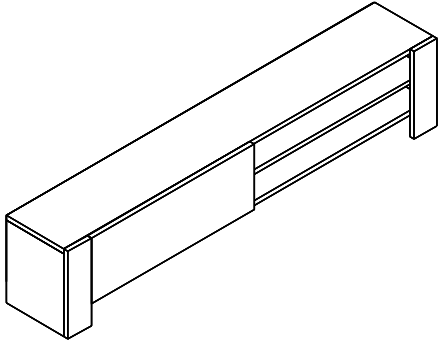
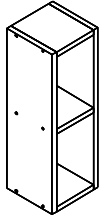


Assembly Instruction





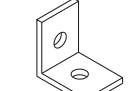



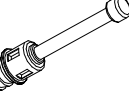

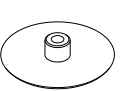
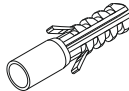

PINA TV UNIT

S 1

The necessary tools(Not included)



ACCESSORY LIST

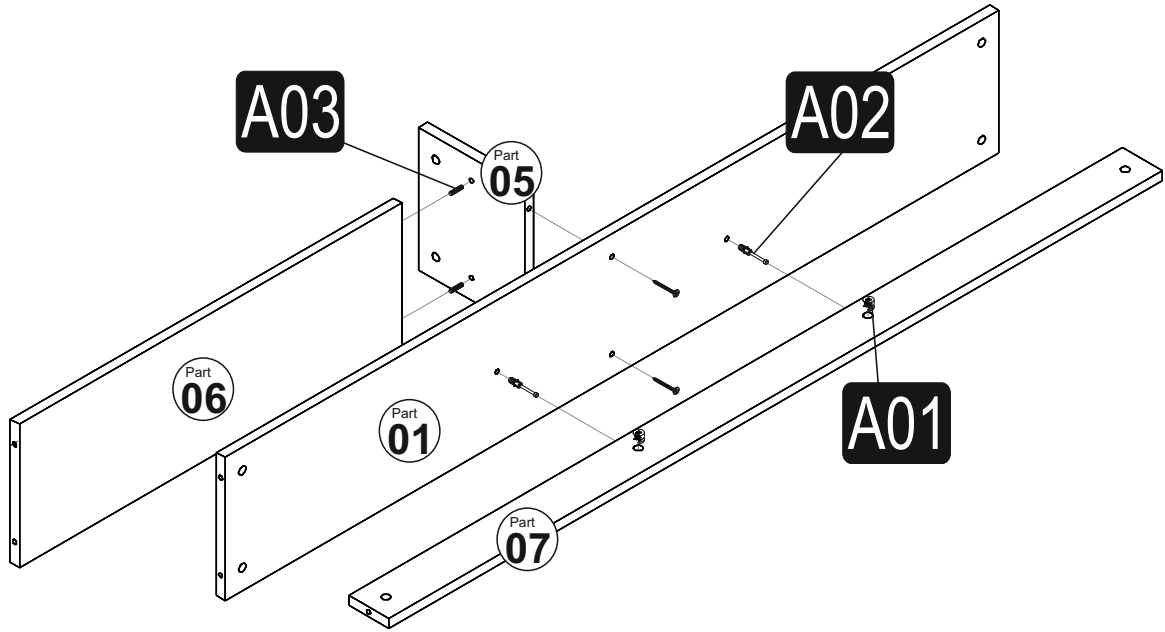
 A09 14x Minifix	 A45 3x Minifix Screw	 A10 11x Dovel	 A16 14x Minifix Tap	 A07 3x 8 Lik Dovel	 A13 2x Hinge	 A28 12x	
 A01 14x	 A02 14x	 A03 17x	 A17 12x	 A08 3x	 A12 2x		

Dear Customer,

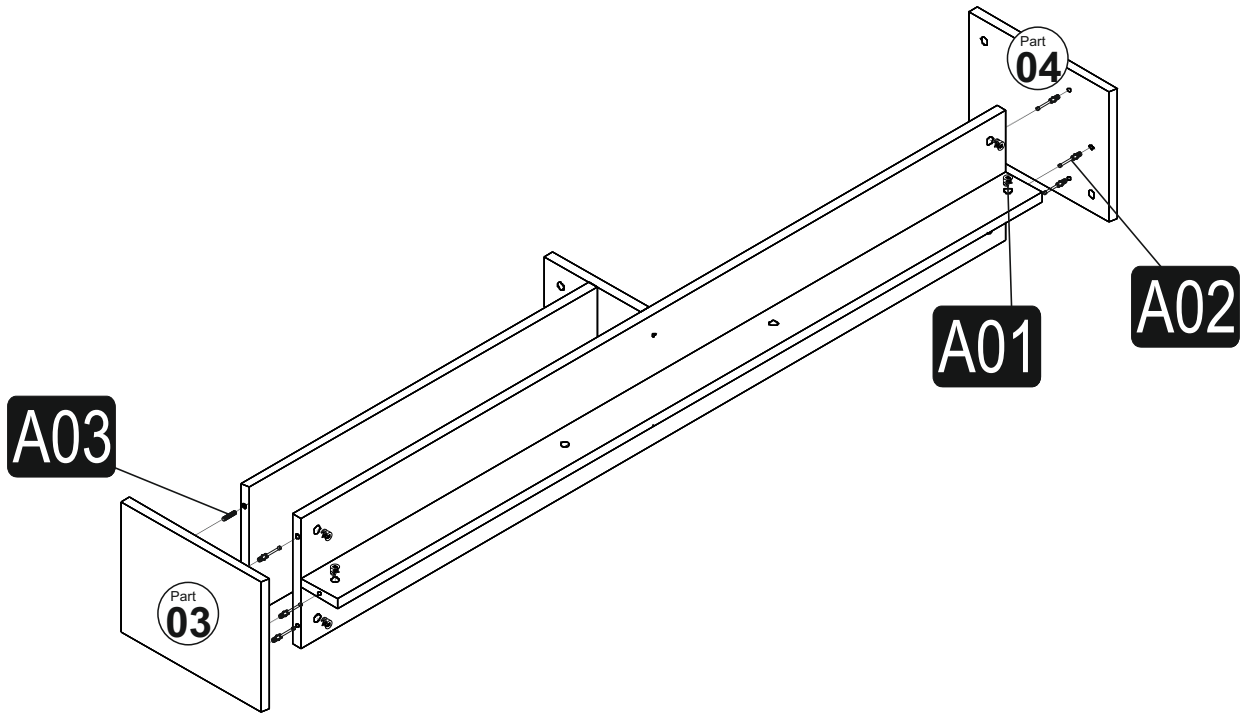
The product to bought was subjected the all sorts of test and control before sending out to you. Even in this situation, sometimes happen that some component is damaged during the transportation. In such please do not send the whole article back us. Just request order the damaged part. While requesting the required part, describe it exactly by looking the service card. Missing part will be send you as soon as possible. Before start assembling, please check the whole components and accessories according to the lists. After being sure that every part and accessory are okay and right, start assembling. Before start assembling, please clean all the components with a damp cloth. If you bought more than product, to prevent confusion be sure that you completed the first product. Then start the other product's assembling. Never drag the products. While carrying, disassociate and lift the product and carry with minimum 2 people. For long distances carry the product with the package.

It is very easy to clean the surfaces of your product. It is enough to wipe a damp and soapy cloth or other household cleaners. Do not directly contact your furniture with excessive heat, cold and humidity because the product can be affected.

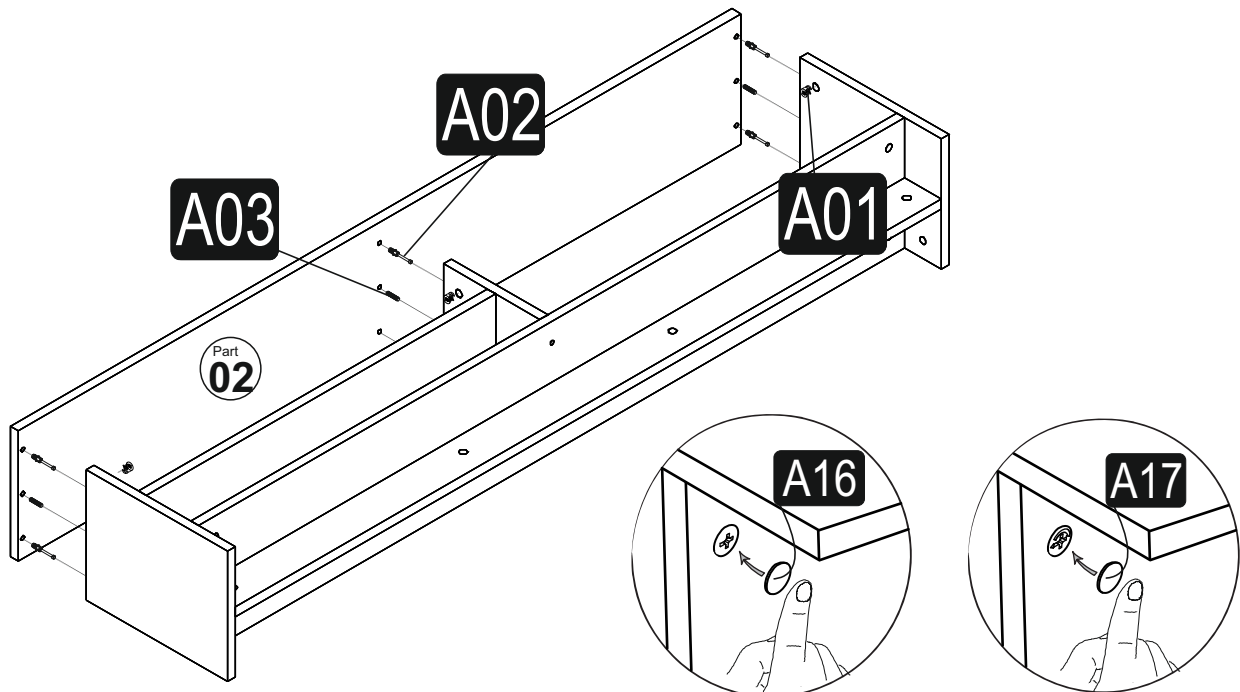
1. Step



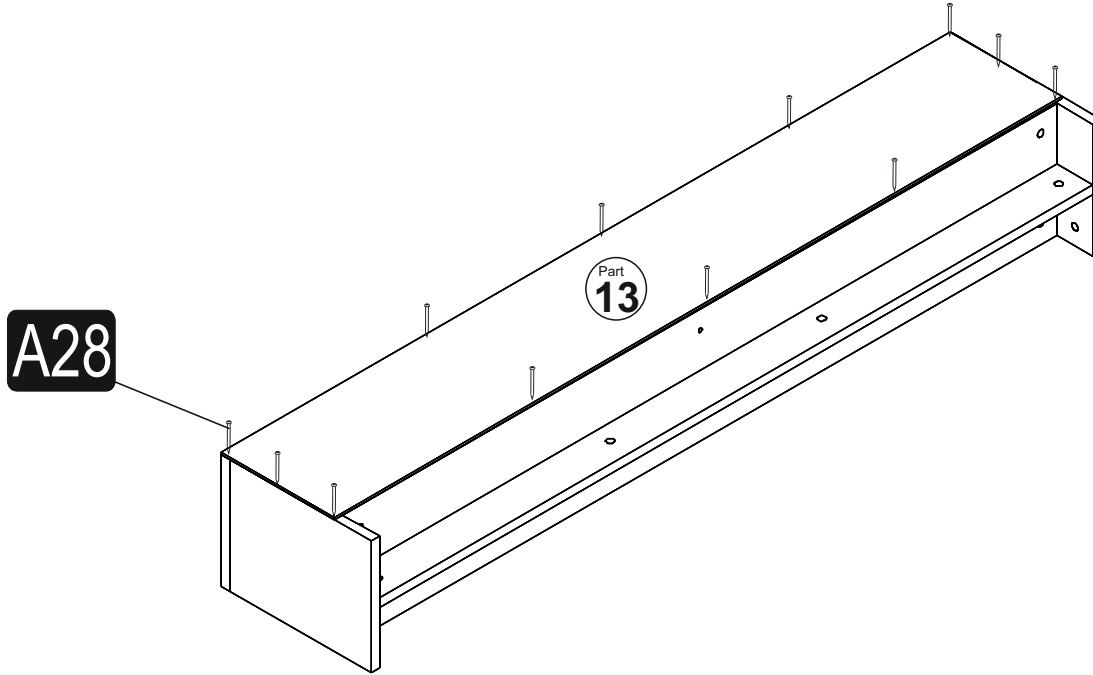
2. Step



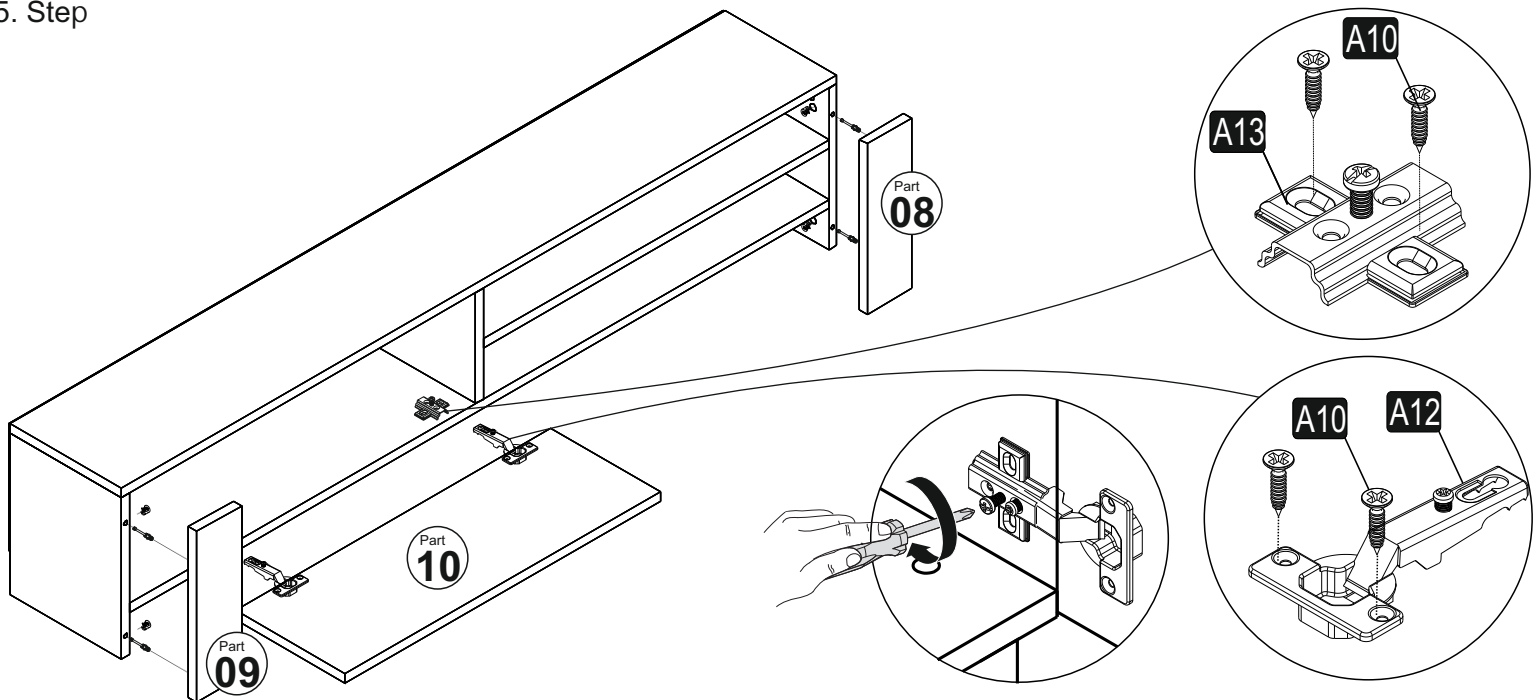
3. Step



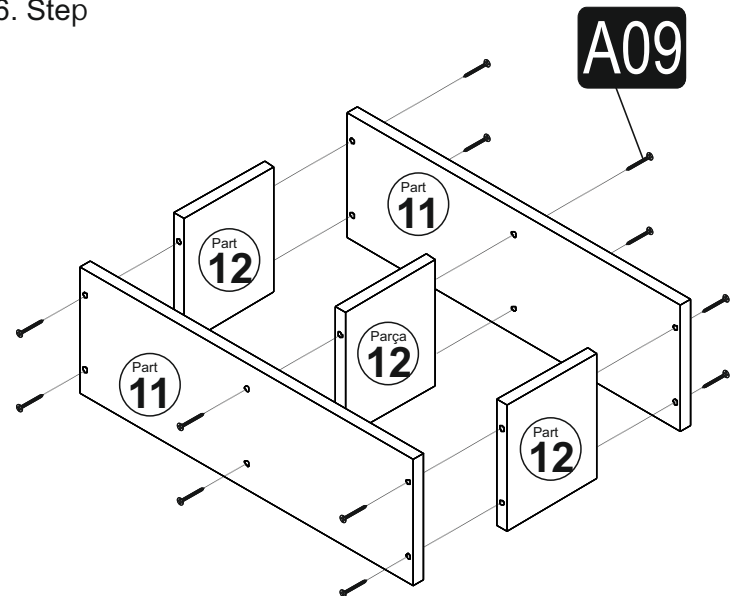
4. Step



5. Step



6. Step



7. Step

