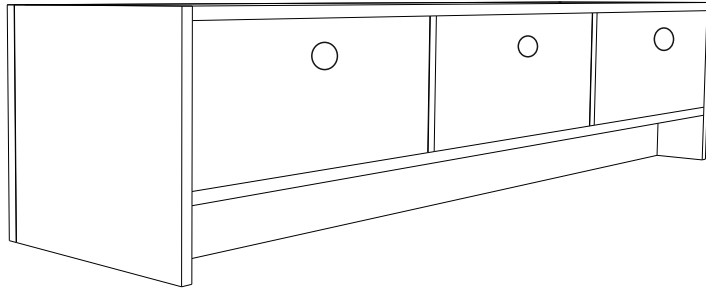
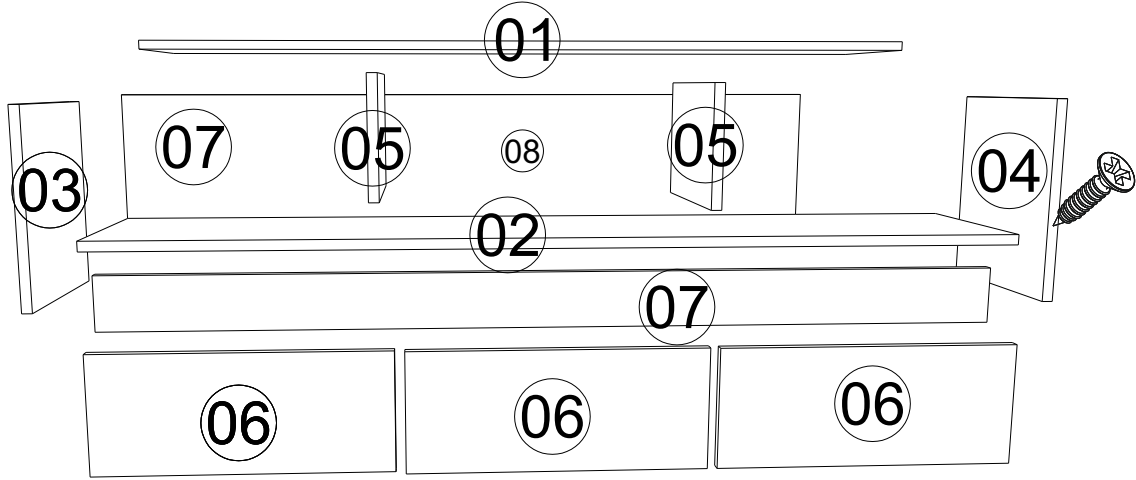


PEGA TV ÜNİTESİ





Bu modül iki kişi tarafından kurulmalıdır.
This unit should be assembled by two persons.

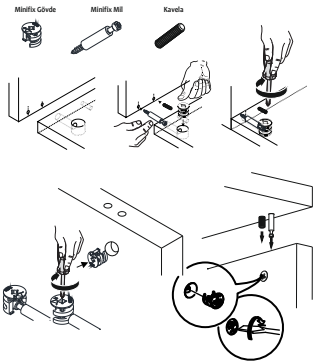


Bu modülün kurulumu için gerekli olan araçlar.
The necessary tools (not included)

DİKKAT !! / ATTENTION !!

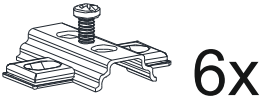
Minifix Puzzle Design ürünlerinde kullanılan ana bağlantı malzemesidir.
Montajı başlamadan önce lütfen aşağıdaki gözetim kontrol ederek
anlamaya çalışın...

Minifix is the main connection material used in deskinter products.
Before starting assembly, please check the drawings below...



A13

Menteşe Atlığı



6x

ACCESSORY LIST

A01

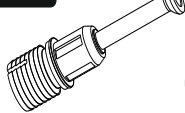
Minifix Gövde



16x

A02

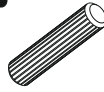
Minifix Mil



16x

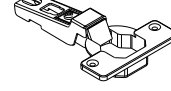
A03

Kavela



16x

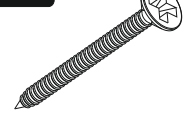
A11

Deve Boynu
Menteşe

6x

A09

4x50 YHB Vida



4x

A10

3,5x18 YHB Vida



24 x

A69

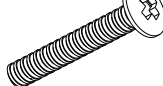
Kulp vidası



3 x

A14

M4x22 Kulp Vidası



3x

A28

Arkalık Çivisi



30x

A04

Minifix Tapa

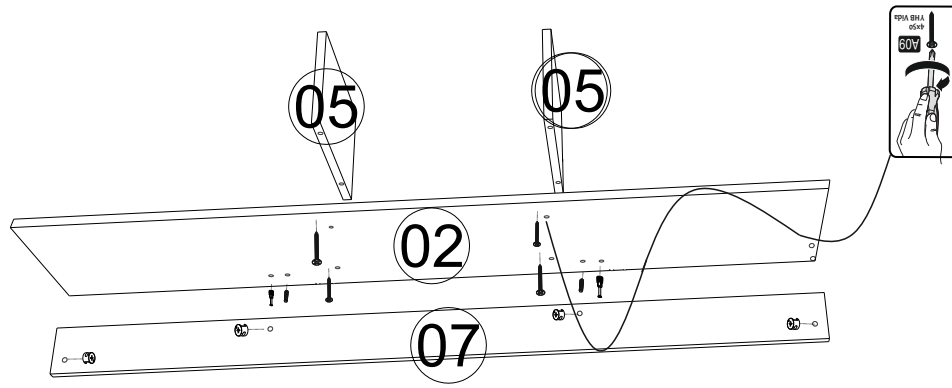
Renk 1 12x
Renk 2 4x

Dear Customer,

The product you bought was subjected to all sorts of tests and control before sending out to you. Even in this situation, sometimes happen that some component is damaged during the transportation. In such case please do not send the whole article back to us. Just request/order the damaged part. While requesting the required part, describe it exactly by looking to service card. Missing part will be sent to you as soon as possible. Before start assembling, please check the whole components and accessories according to the lists. After being sure that every part and accessory are okay and right, start assembling. Before start assembling, please clean all the components with a damp cloth. If you bought more than one product, to prevent confusion be sure that you completed the first product. Then start the other product's assembling. Never draw the products. While carrying, disassociate and lift the product and carry with minimum 2 people. For long distances carry the product with the package.

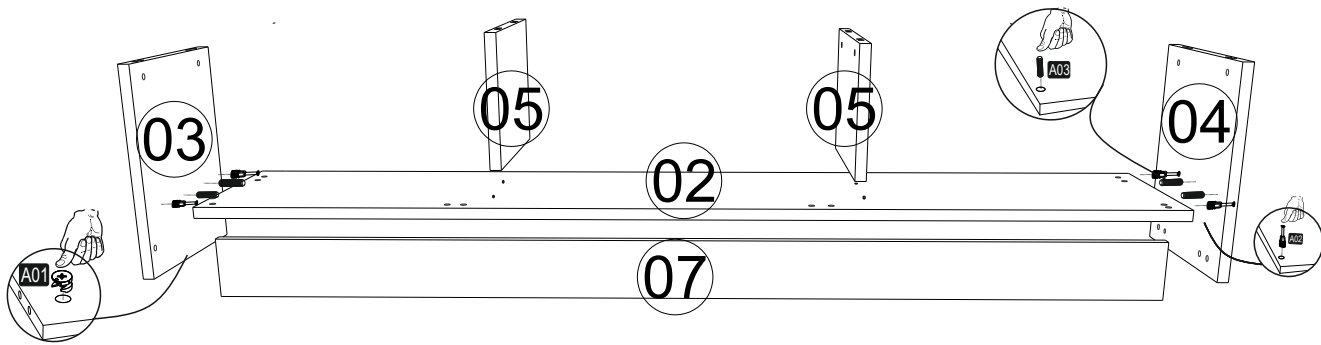
It is very easy to clean the surfaces of your product. It is enough to wipe with a damp and soapy cloth or other household cleaners. Do not directly contact your furniture with excessive heat, cold and humidity because the product can be affected.

1. STEP

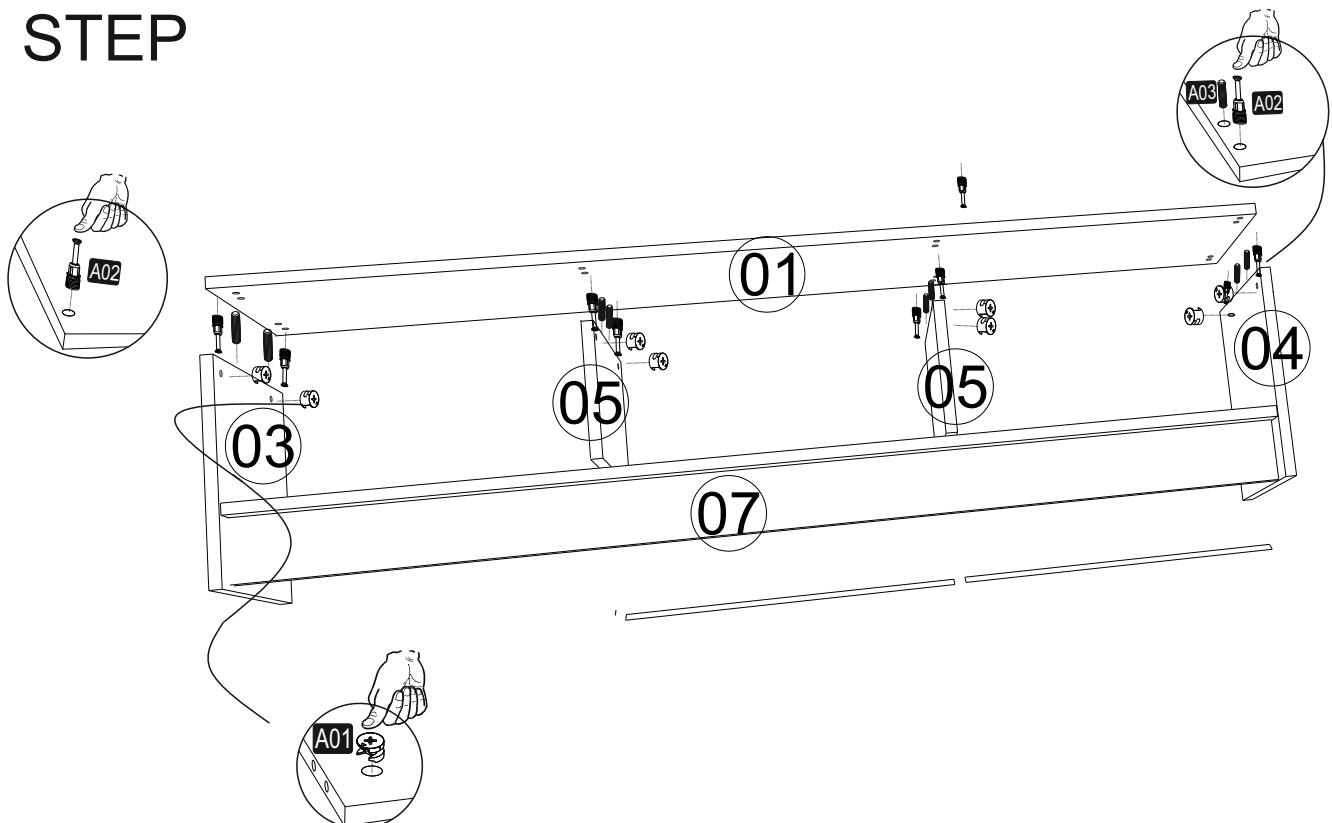


2. STEP

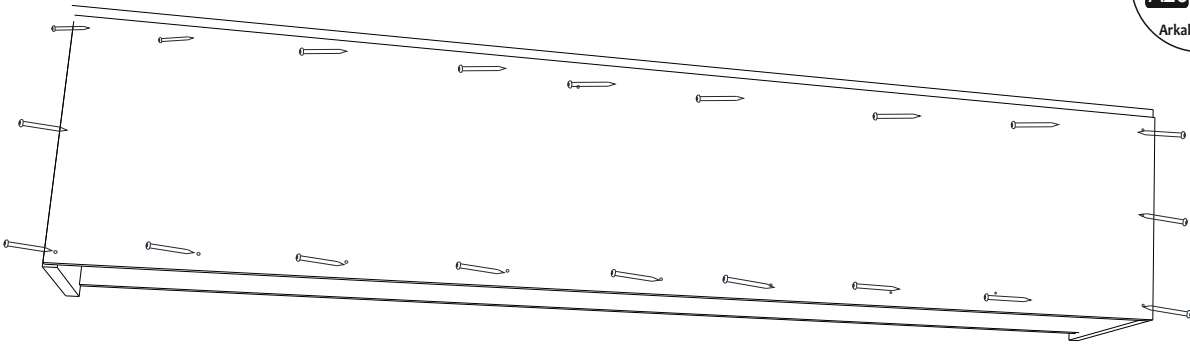
P 2



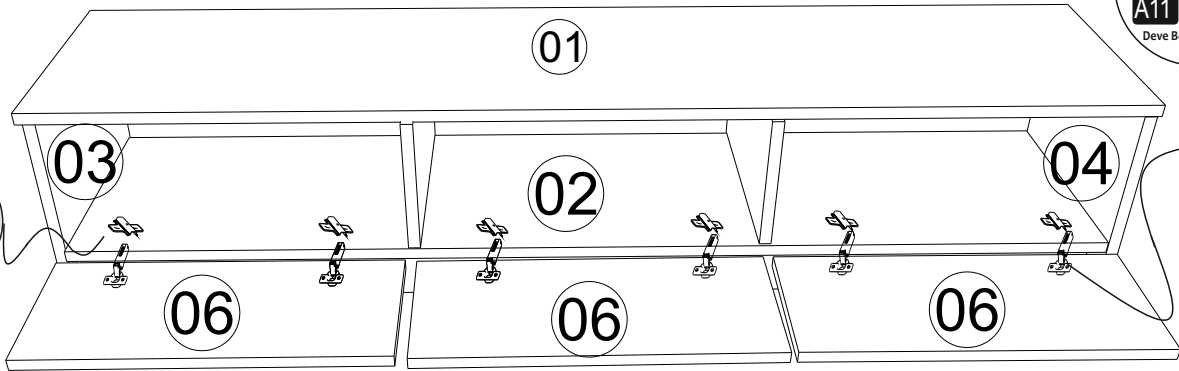
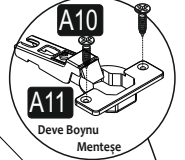
3. STEP



4.STEP



5. STEP



6.STEP

