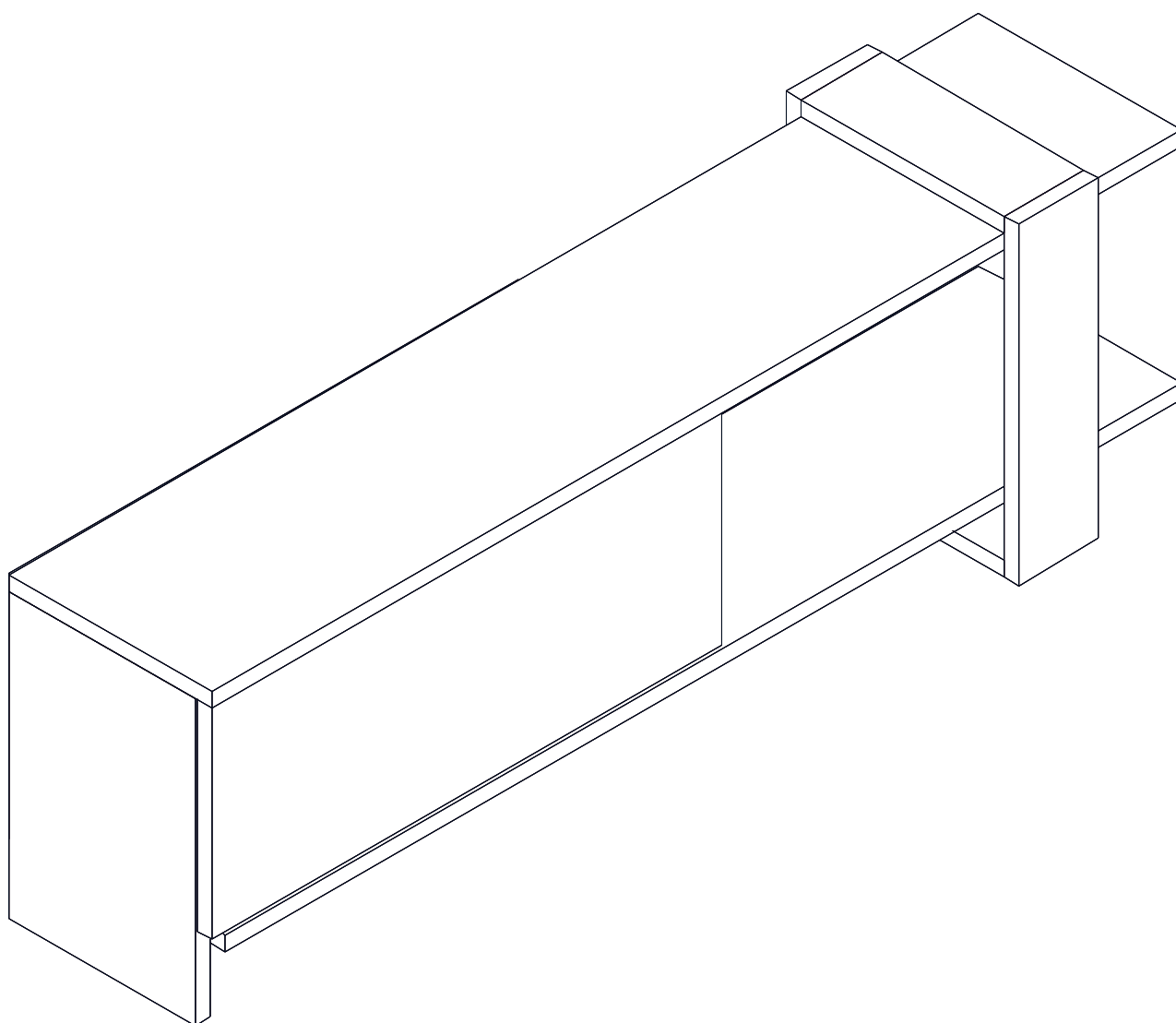
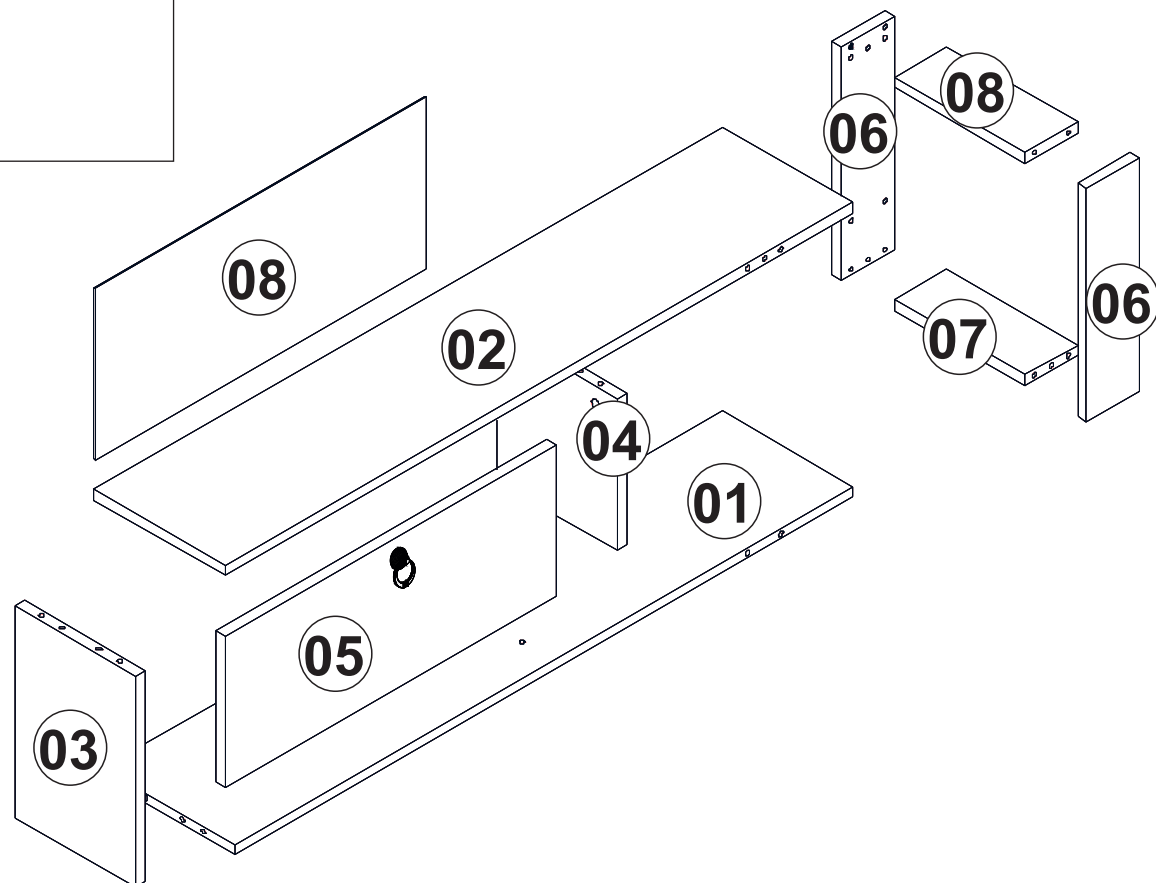
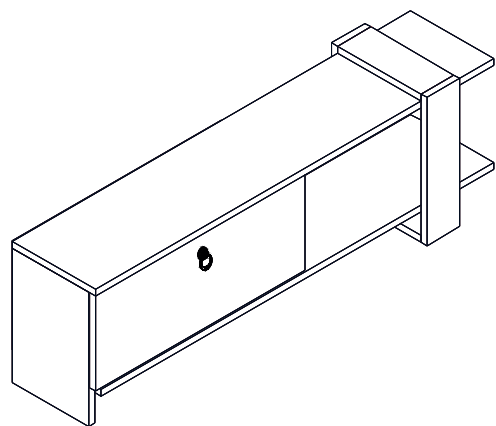
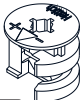
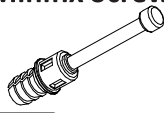






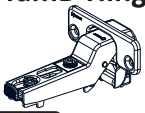




YONCA TV UNIT





ACCESSORY LIST

 A01 10x	 A02 10x	 A03 18x	 A17 10x	 A46 1x	 A47 1x	 A10 8x	 A28 10x
 A12 2x	 A13 2x	 A09 2x					

Dear Customer,

The product you bought was subjected to all sorts of test and control before sending out to you. Even in this situation, sometimes happen that some component is damaged during the transportation. In such please do not send the whole article back to us. Just request/order the damaged part. While requesting the required part, describe it exactly by looking to service card. Missing part will be sent to you as soon as possible. Before starting assembling, please check the whole components and accessories according to the lists. After being sure that every part and accessory are okay and right, start assembling. Before starting assembling, please clean all the components with a damp cloth. If you bought more than one product, to prevent confusion be sure that you completed the first product. Then start the other product's assembling.

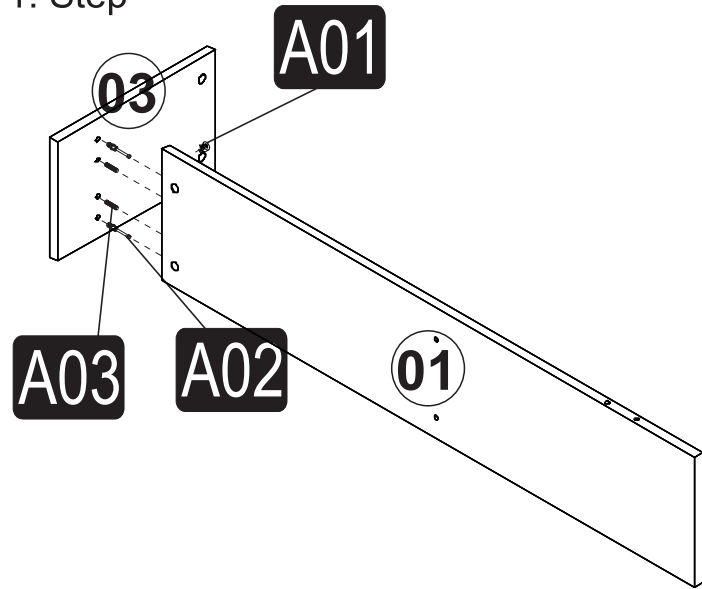
Never drag the products. While carrying, disassemble and lift the product and carry with a minimum of 2 people. For long distances carry the product with the package.

It is very easy to clean the surfaces of your product. It is enough to wipe a damp and soapy cloth or other household cleaners.

Do not directly contact your furniture with excessive heat, cold and humidity because the product can be affected.

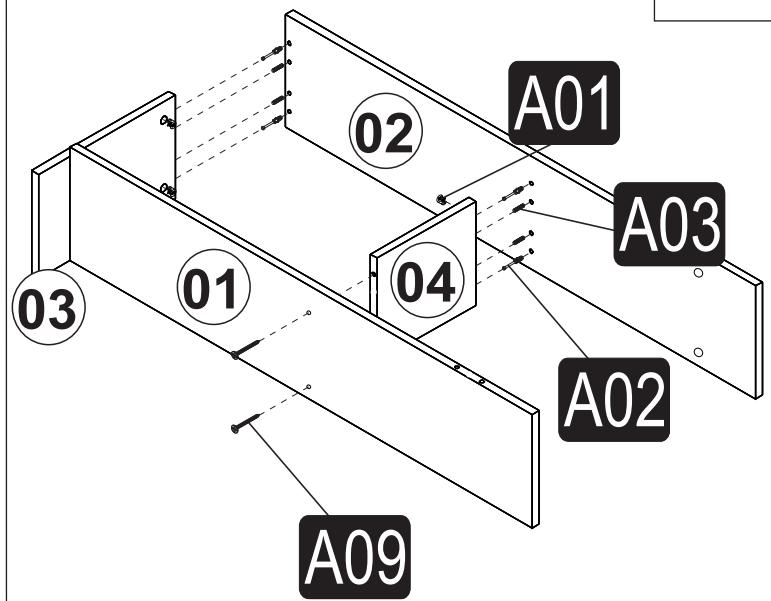
Do not use your furniture for other purposes.

1. Step

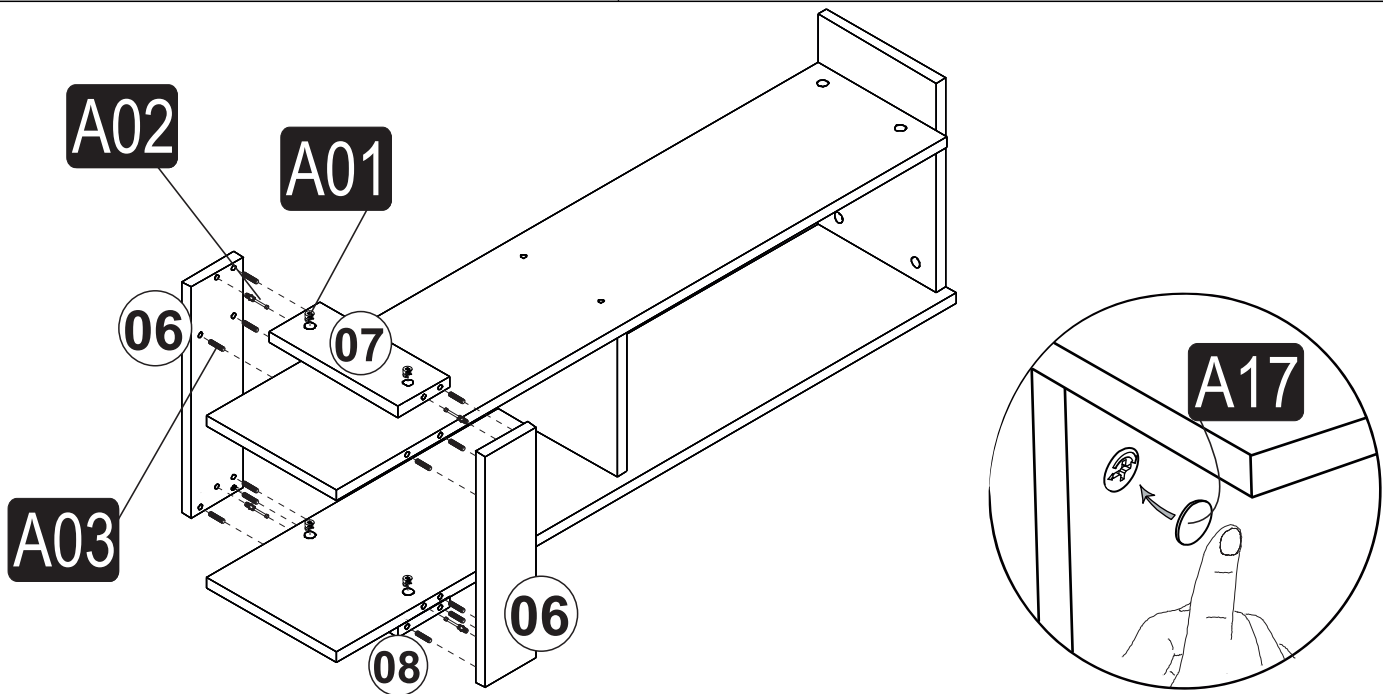


2. Step

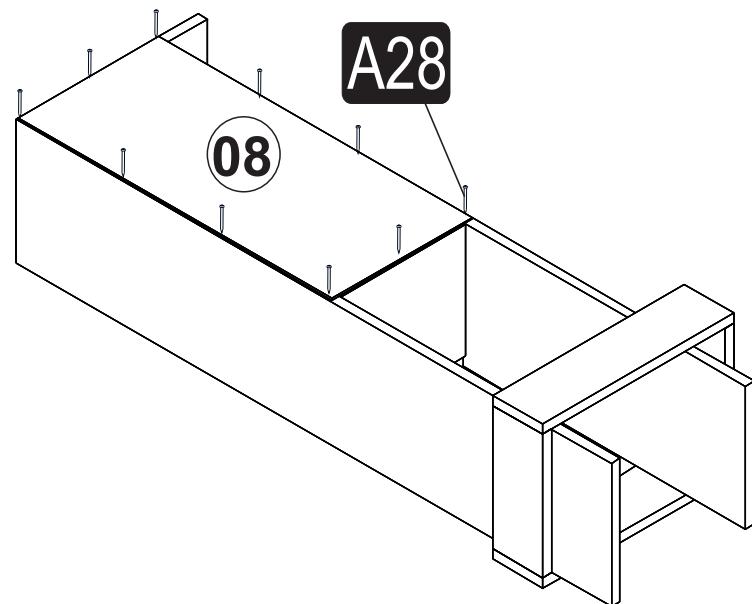
P 2



3. Step



4. Step



5. Step

