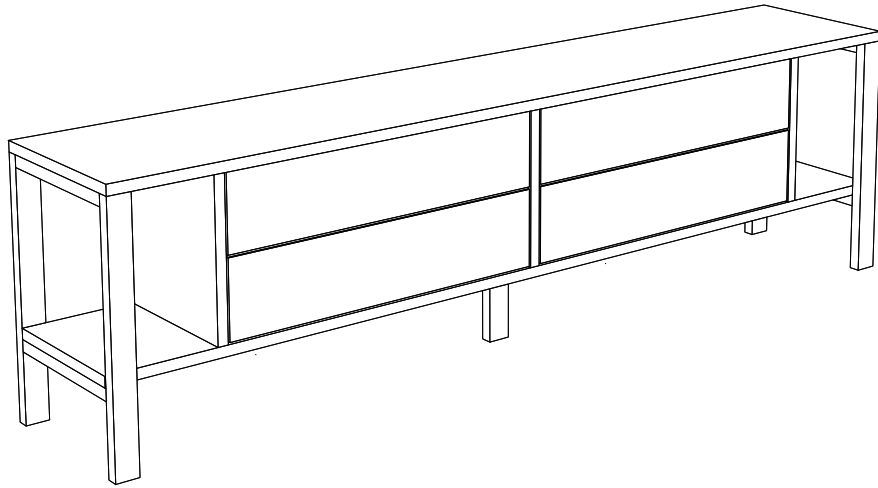
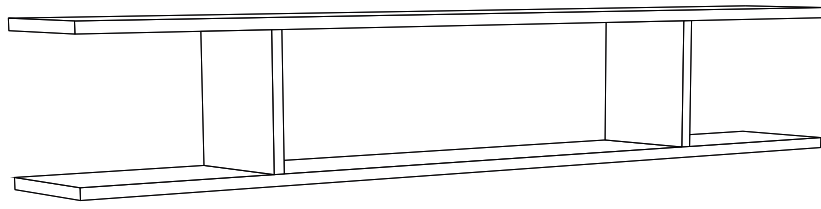
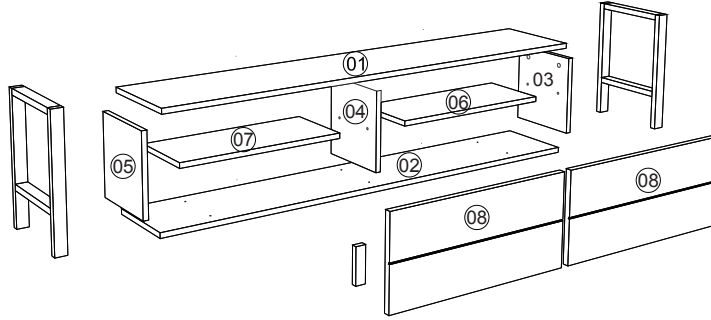
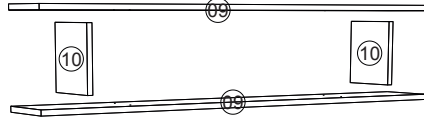


LAVİN TV ÜNİTİ

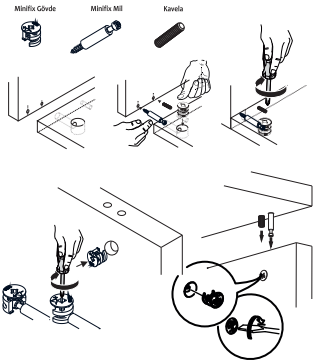




DİKKAT !! / ATTENTION !!

Minifix Puzzle Design ürünlerinde kullanılan ana bağlantı malzemesidir. Montajı başlamadan önce kitlen eşyalarla (çiftler) kontrol ediniz, ardından çalışın...

Minifix is the main connection material used in delimitator products. Before starting assembly, please check the drawings below...



Bu modül iki kişi tarafından kurulmalıdır.

This unit should be assembled by two persons.



Bu modülün kurulumu için gerekli olan araçlar.
The necessary tools (not included)

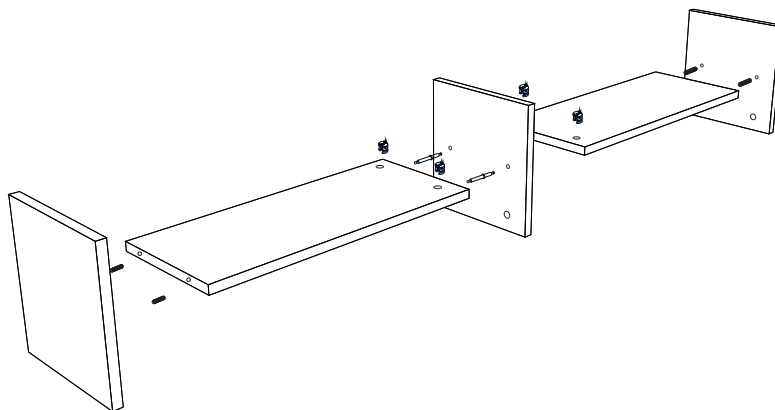
A13 Menteşe Atlığı  4x	Minifix Mil (Uzun)  2x	4*30 YHB VİDA  8x	Ø8 Lik Dubel  4x	4*70 YHB VİDA  14x
ACCESSORY LIST				
A01 Minifix Gövde  10x	A02 Minifix Mil  6x	A03 Kavela  10x	A11 Deve Boynu Menteşe  4x	A09 4x50 YHB VİDA  14x
A10 3,5x18 YHB VİDA  26x	A69 Kulp vidası  2x	A14 M4x22 Kulp Vidası  2x	A28 Arkalık Çivisi  30x	A04 Minifix Tapa  ANTİK BEYAZ 10x

Dear Customer,

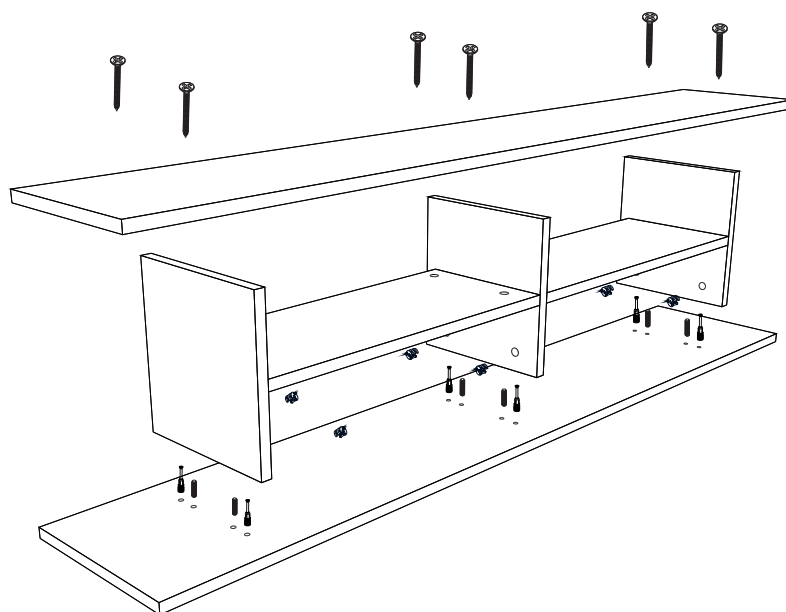
The product you bought was subjected to all sorts of tests and control before sending out to you. Even in this situation, sometimes happen that some component is damaged during the transportation. In such case please do not send the whole article back to us. Just request/order the damaged part. While requesting the required part, describe it exactly by looking to service card. Missing part will be sent to you as soon as possible. Before start assembling, please check the whole components and accessories according to the lists. After being sure that every part and accessory are okay and right, start assembling. Before start assembling, please clean all the components with a damp cloth. If you bought more than one product, to prevent confusion be sure that you completed the first product. Then start the other product's assembling. Never draw the products. While carrying, disassociate and lift the product and carry with minimum 2 people. For long distances carry the product with the package.

It is very easy to clean the surfaces of your product. It is enough to wipe with a damp and soapy cloth or other household cleaners. Do not directly contact your furniture with excessive heat, cold and humidity because the product can be affected.

1. STEP

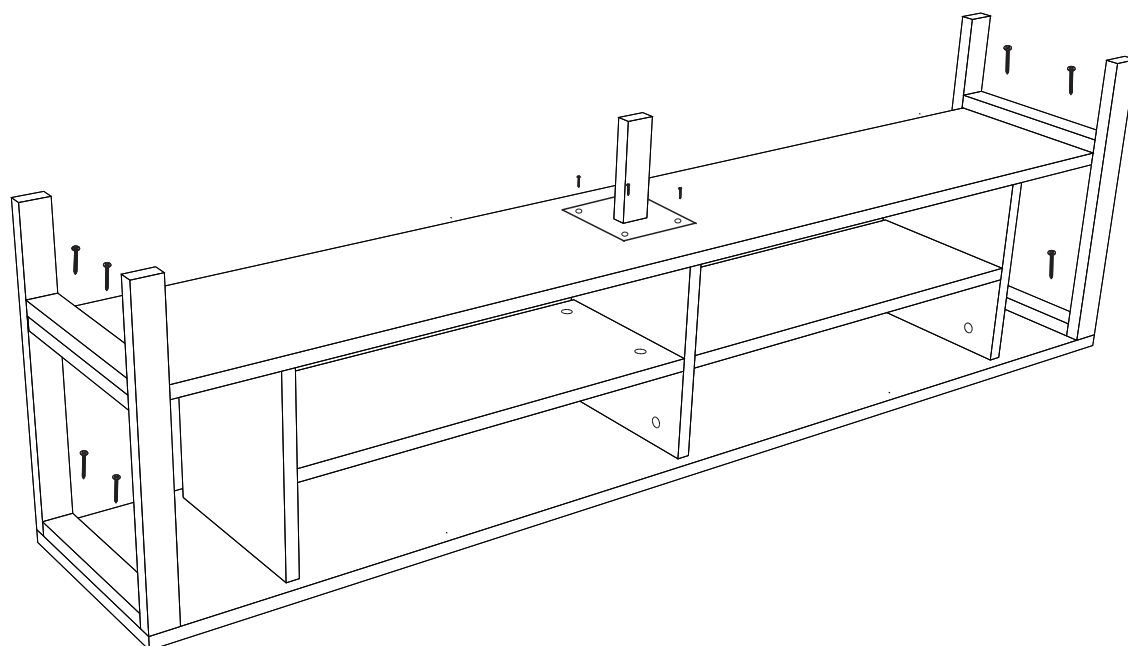


2. STEP



P 2

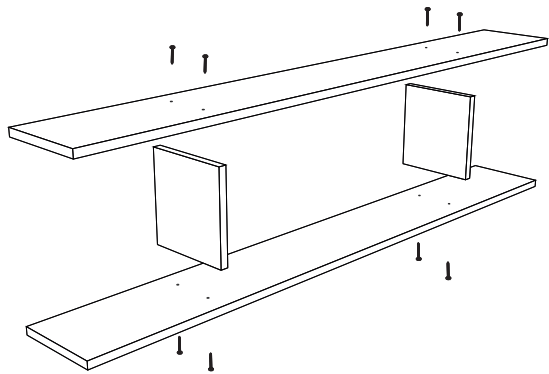
3. STEP



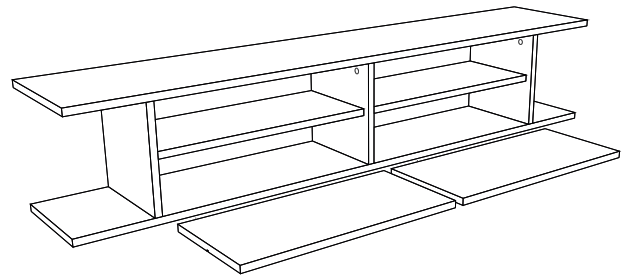
ASSEMBLY MANUAL

LAVİN TV ÜNİTİ

4. STEP



5. STEP



6. STEP

