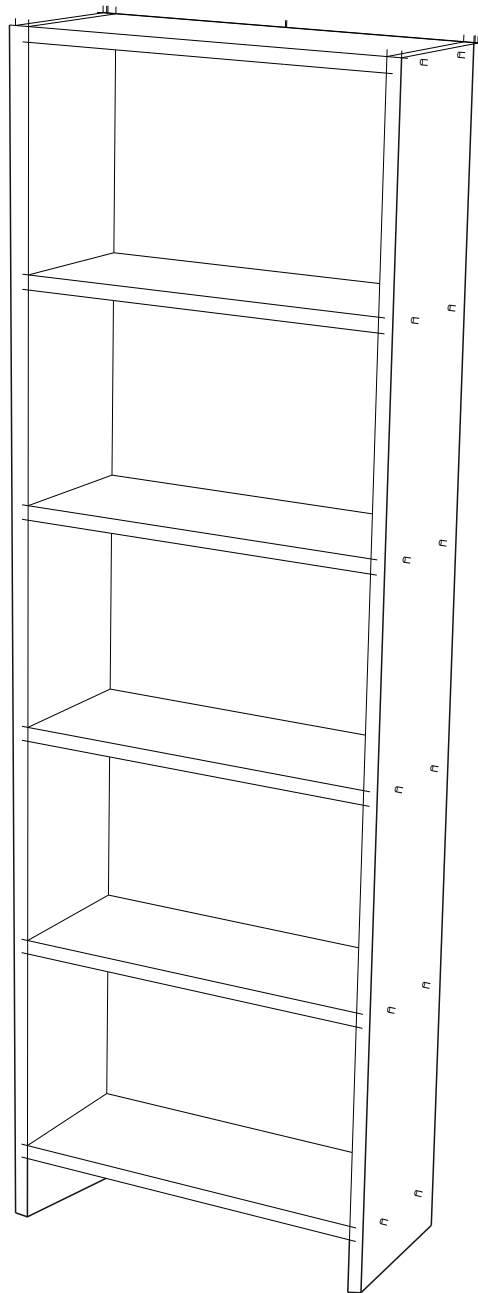


NEW BOOKCASE

ASSEMBLYMANUEL







This unit should be assembled by two persons.

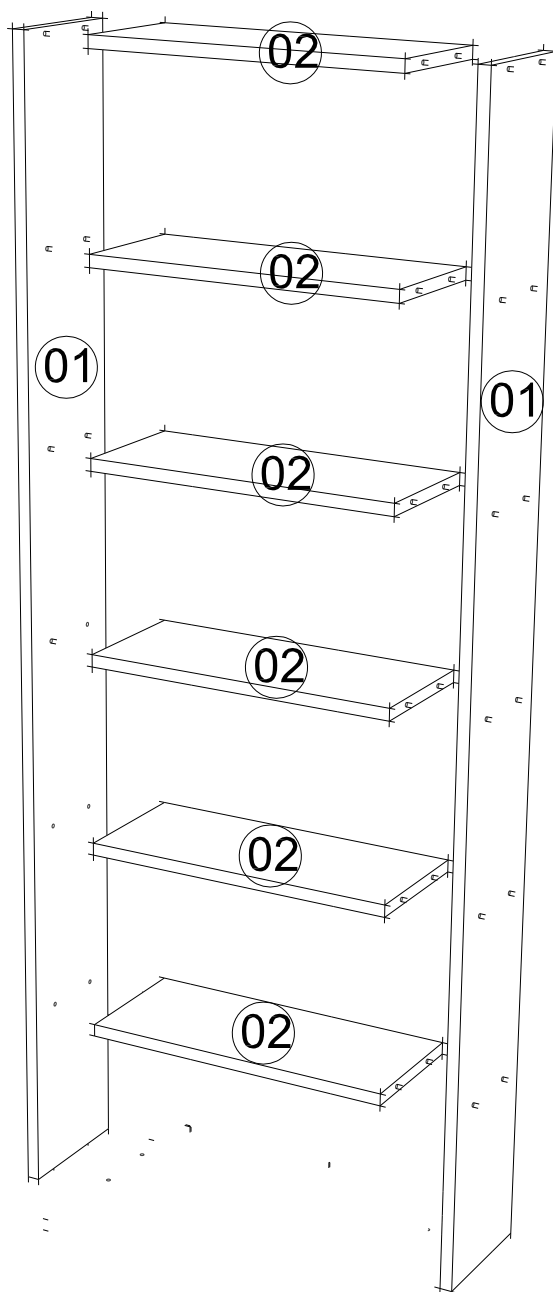


The necessary tools (not included)

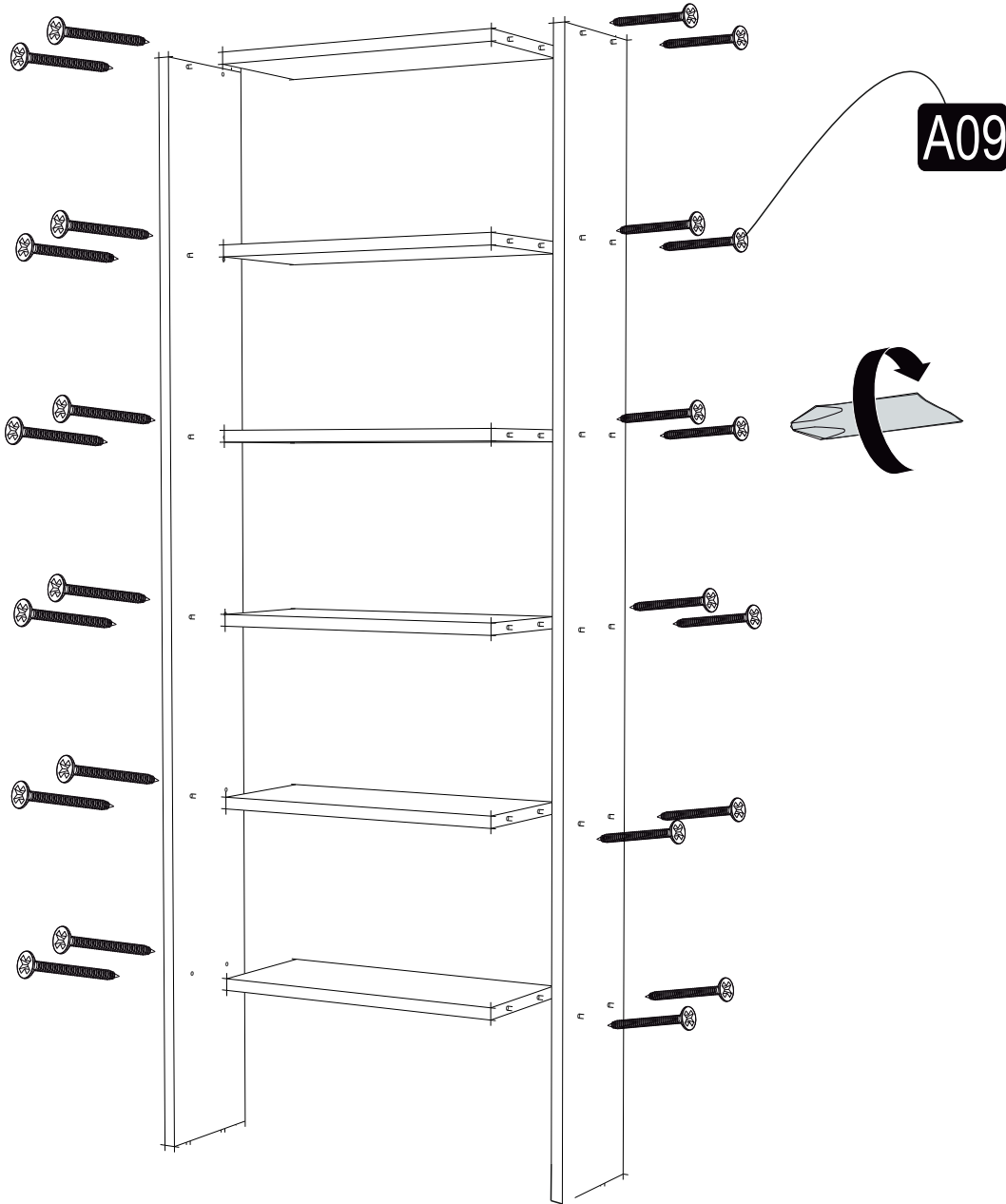
ACCESSORY LIST

A09 4x50 YHB Screw  24x	A16 Screw Tap  24x
--	---

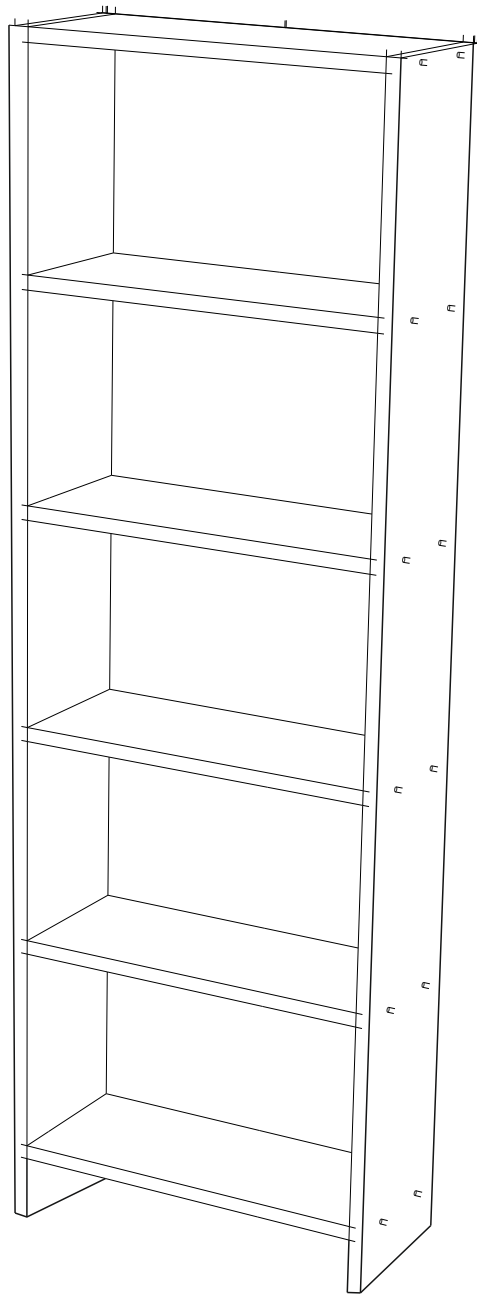
GENERAL VIEW



ASSEMBLYMANUEL



4x50 YHB Screw



Have you seen our other products ?