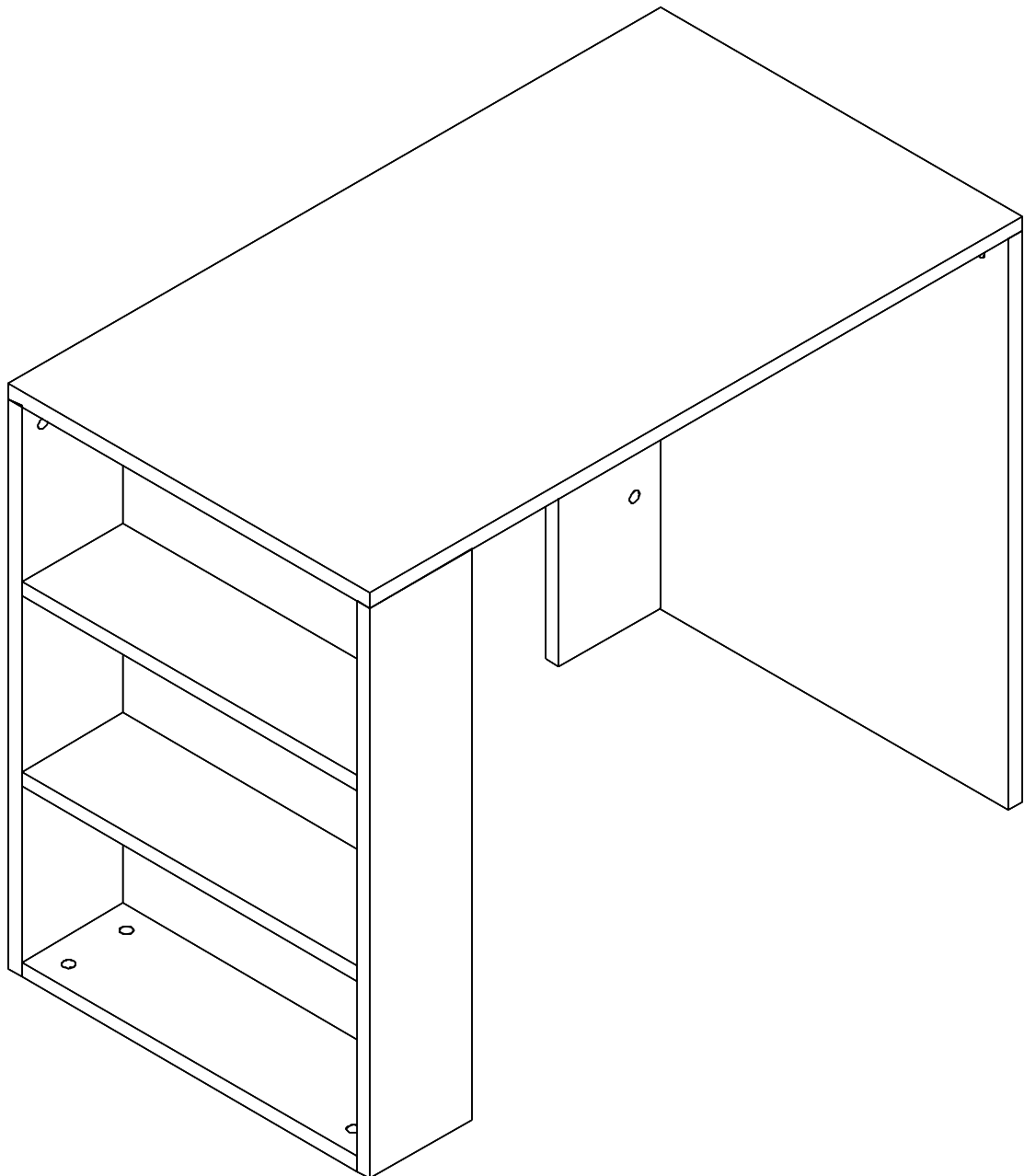
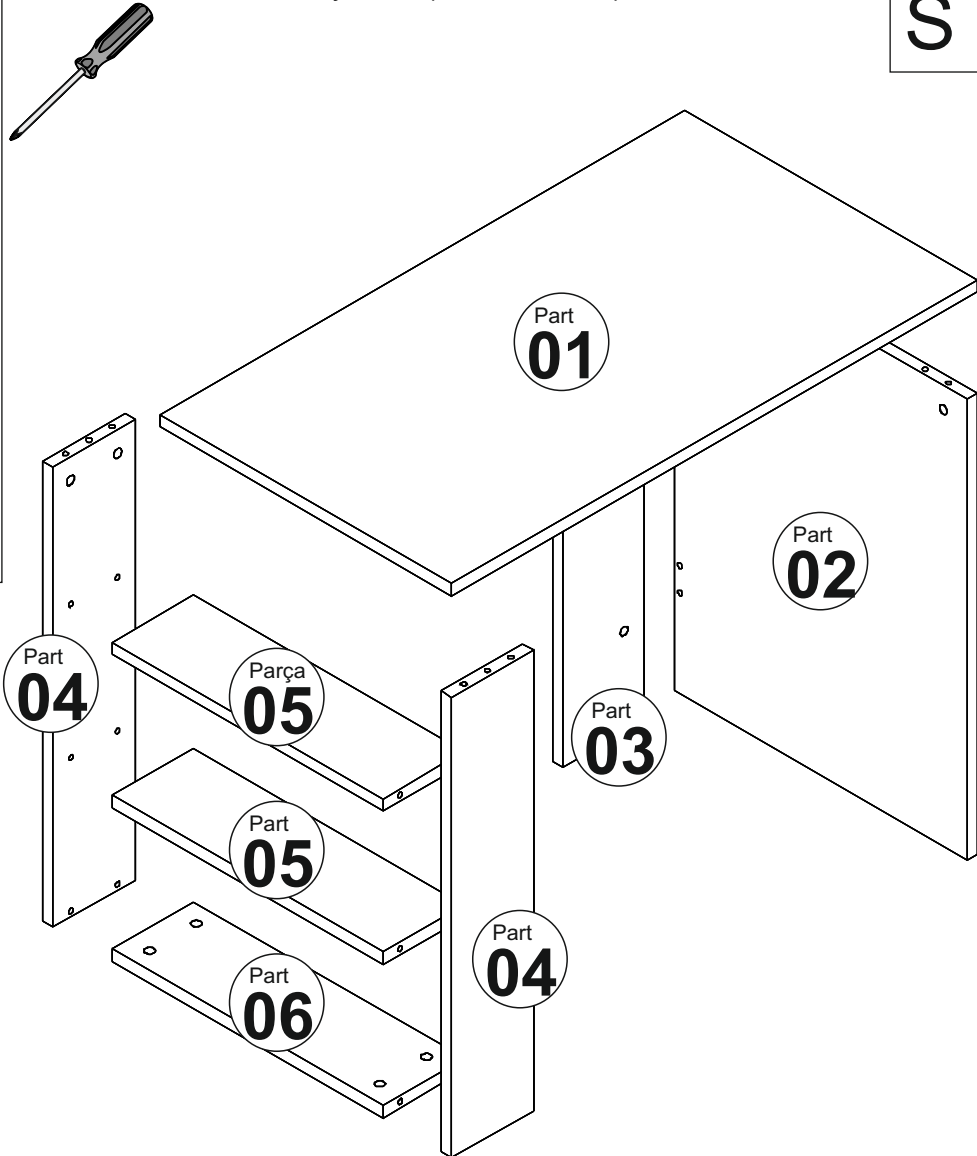
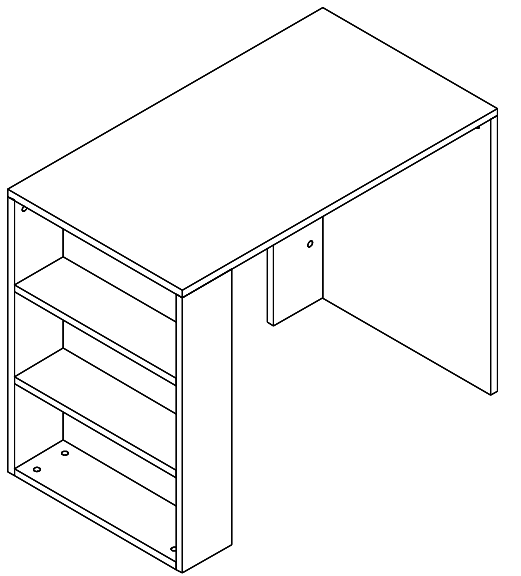


PELIT STUDY DESK ASSEMBLY INSTRUCTION



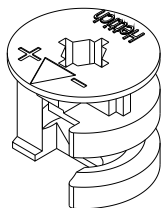
The necessary tools(Not included)

S 1



ACCESSORY LIST

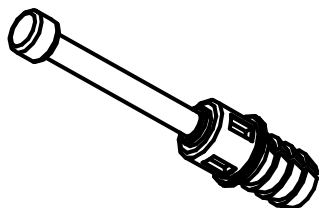
Minifix



A01

15x

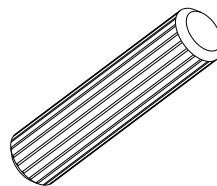
Minifix Screw



A02

15x

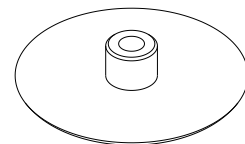
Dovel



A03

14x

Minifix Tap



A04

15x

Dear Customer,

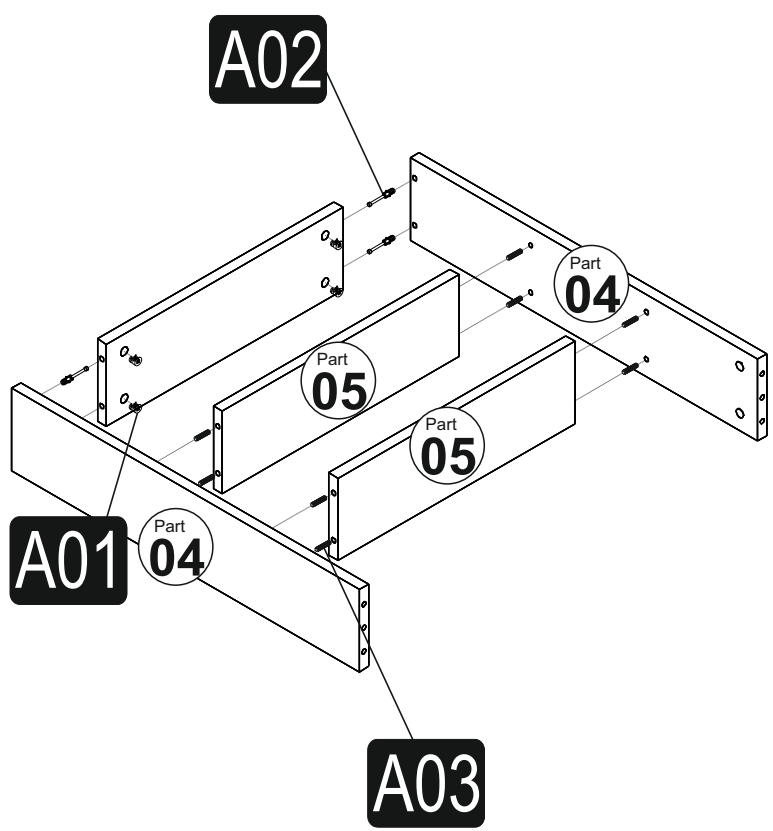
The product you bought was subjected to all sorts of tests and controls before being sent to you. Even in this situation, sometimes it happens that some component is damaged during transportation. In such cases, please do not send the whole article back to us. Just request to order the damaged part. While requesting the required part, describe it exactly by looking at the service card. Missing parts will be sent to you as soon as possible. Before starting assembly, please check all components and accessories according to the lists. After being sure that every part and accessory is okay and correct, start assembling. Before starting assembly, please clean all components with a damp cloth. If you bought more than one product, to prevent confusion be sure that you have completed the first product. Then start the other product's assembly. Never drag the products. While carrying, disassemble and lift the product and carry it with a minimum of 2 people. For long distances, carry the product with the package.

It is very easy to clean the surfaces of your product. It is enough to wipe with a damp and soapy cloth or other household cleaners. Do not directly contact your furniture with excessive heat, cold, and humidity because the product can be affected.

ASSEMBLY INSTRUCTION

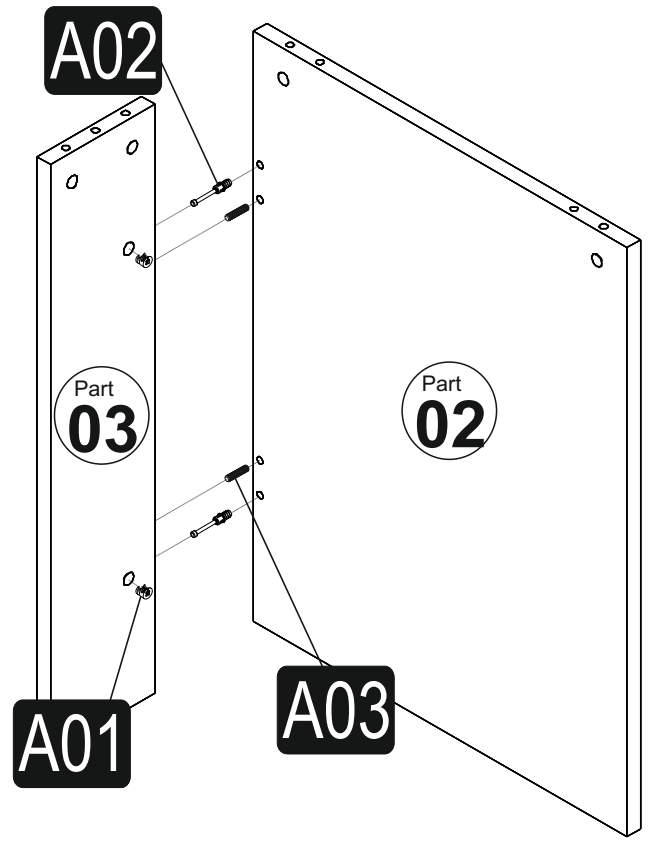
PELIT STUDY DESK

1. Step



2. Step

S 2



3. Step

