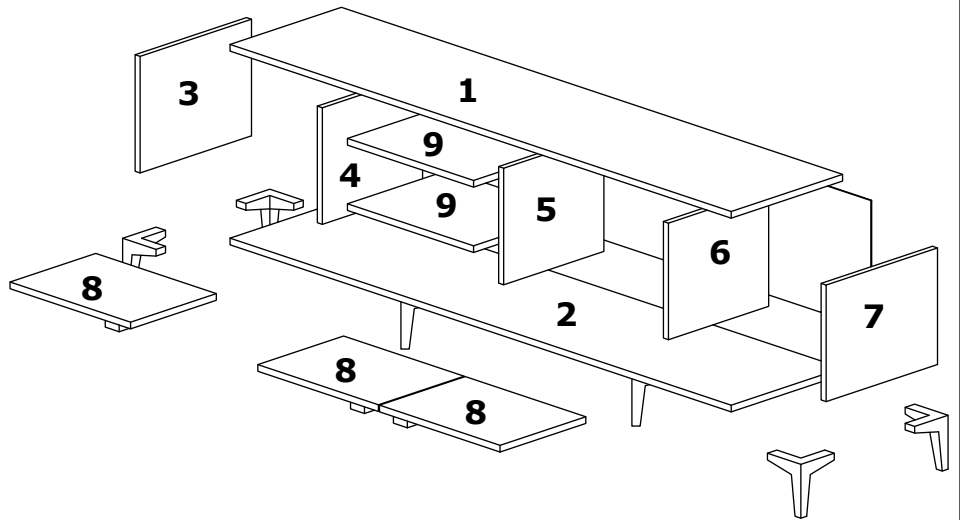
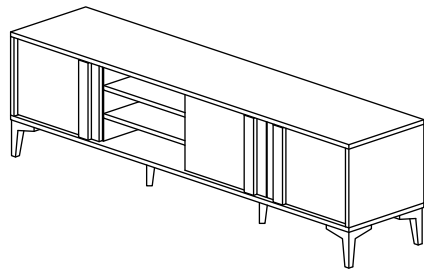


MENGÜ TV STAND

ASSEMBLY INSTRUCTIONS



MINIFIX



18 PCS

DUFIX



18 PCS

DOWEL



18 PCS

4*50 SCREW



10 PCS

3,5*18 SCREW



24 PCS

4*25 SCREW



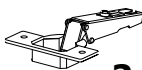
24 PCS

HINGE



4 PCS

HINGE



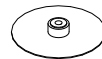
2 PCS

HINGE



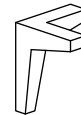
6 PCS

MINIFIX TAP



10 PCS

LEG



6 PCS

NAIL



25 PCS

Dear Customer.

This product you have purchased has been subjected to all tests and controls by us before it reaches you.

Even in this case, some parts may be damaged during transportation. In such cases, do not send the whole product back, only request the damaged part from us. The missing part will be sent to you immediately.

Before starting assembly, check all parts and accessories in the box according to the list. After making sure that the parts and accessories are intact, you can start assembly. Wipe each part with a damp cloth before starting assembly.

This product requires 2 (TWO) persons for installation.

Installation can be done in approximately 20 to 30 minutes.

If you have purchased more than one product, do not start the installation of the other product before the installation of one of the products is finished to avoid any confusion.

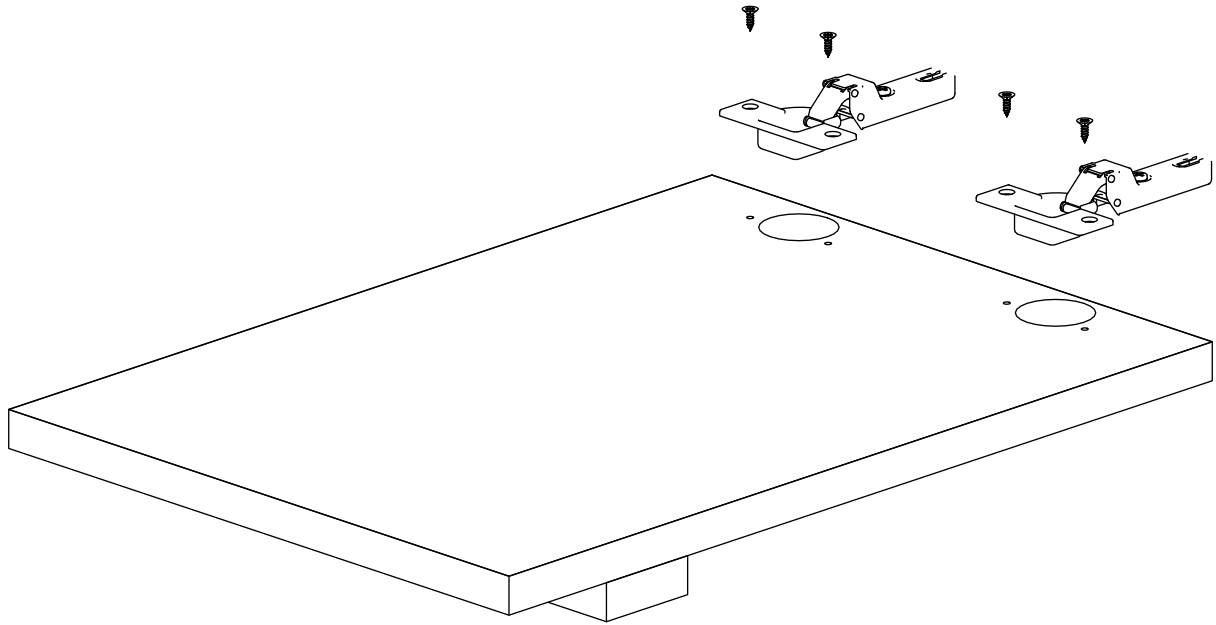
Never carry the products by rubbing. Carry 2 (two) people by lifting or disassembling the products.

If you are going to carry the product for long distance transportation, please pack the product carefully. For product cleaning, it will be sufficient to wipe with a damp or soapy cloth or wipe with other cleaners.

Since the furniture is affected by extreme heat, cold and humidity, do not expose it directly to these factors.

Do not use your furniture for other purposes.

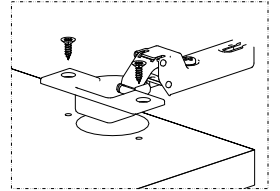
STEP 1 :



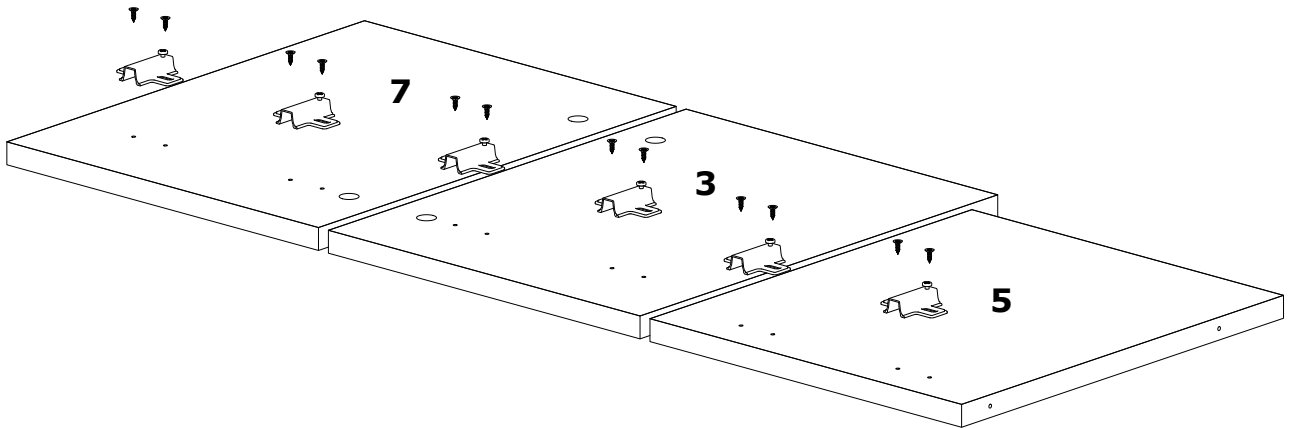
3,5*18 SCREW



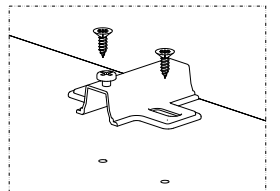
3 PCS



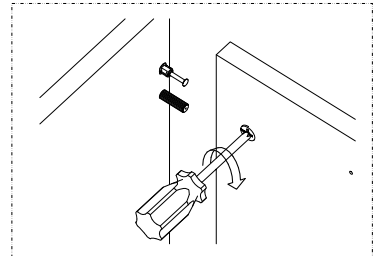
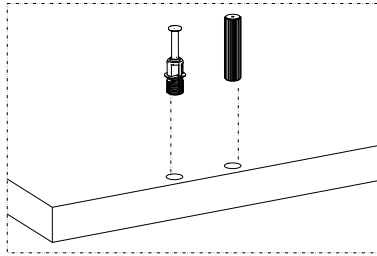
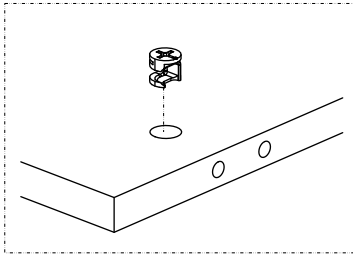
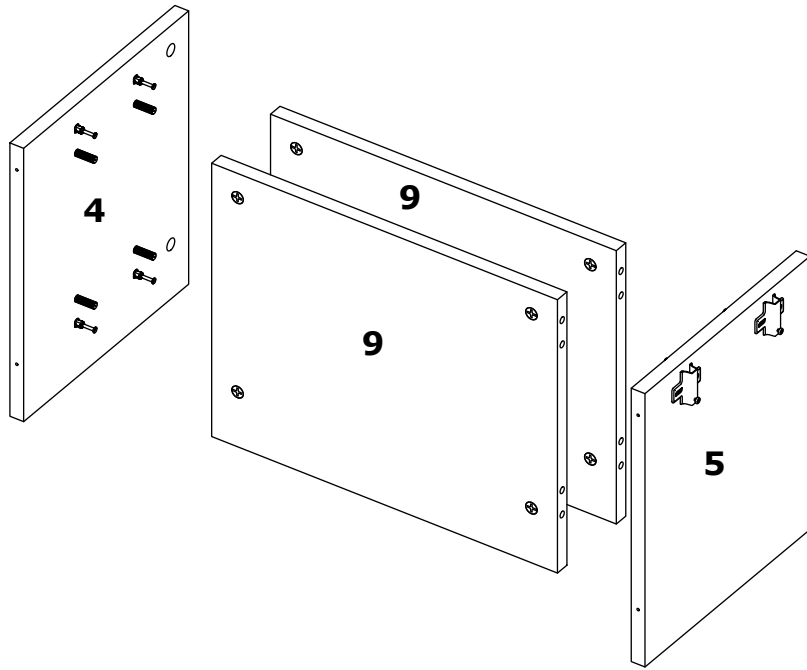
STEP 2 :



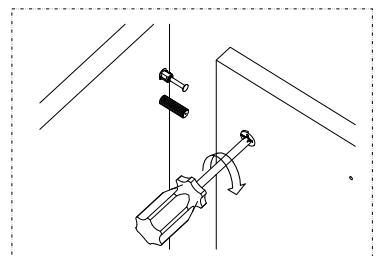
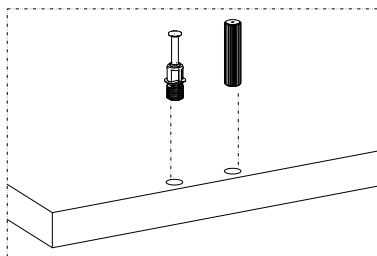
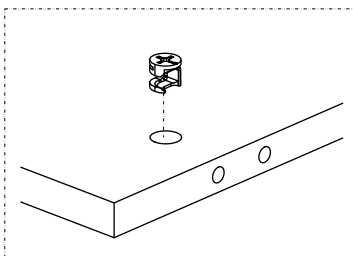
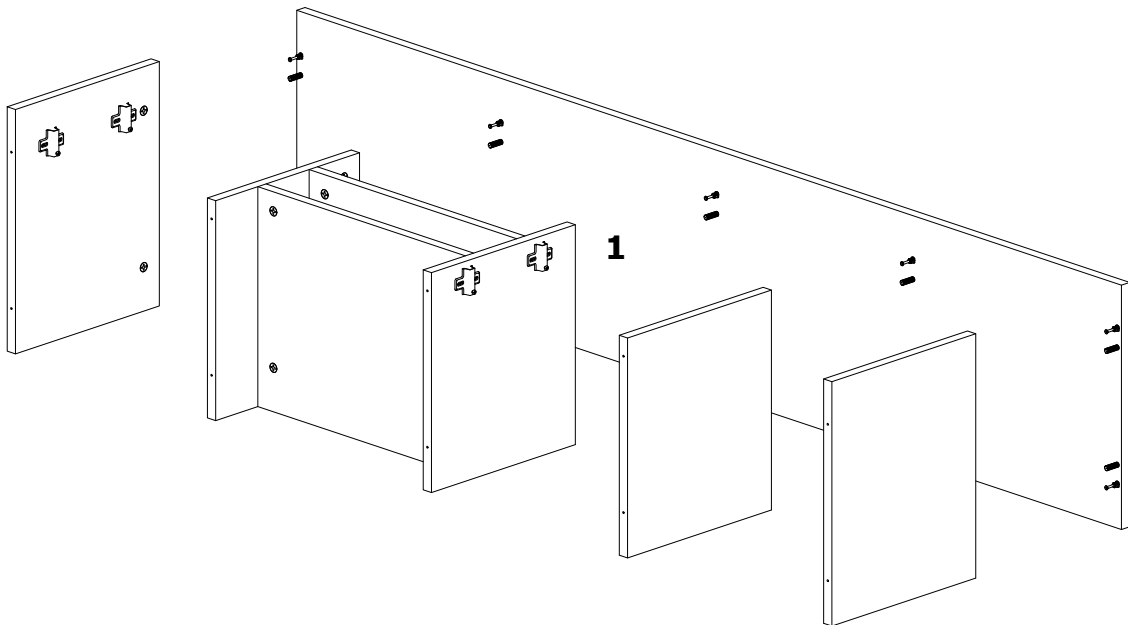
3,5*18 SCREW



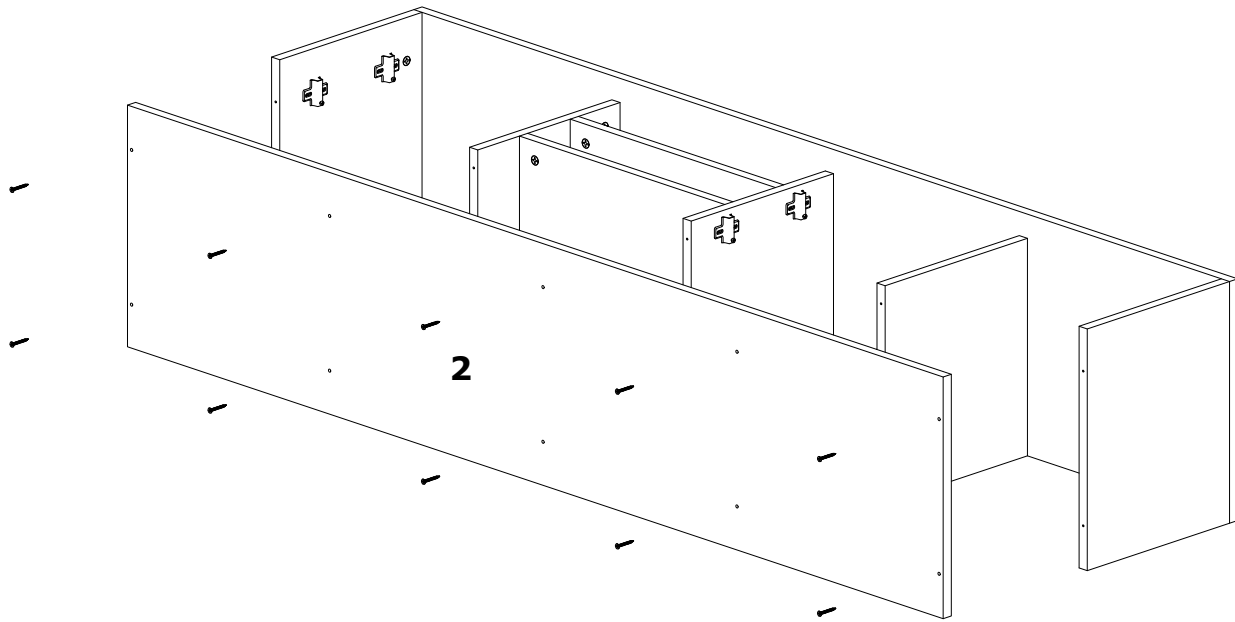
STEP 3 :



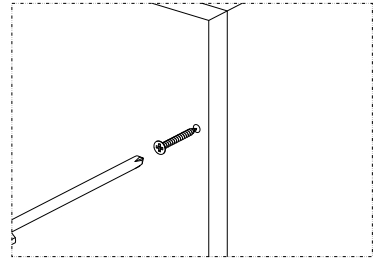
STEP 4 :



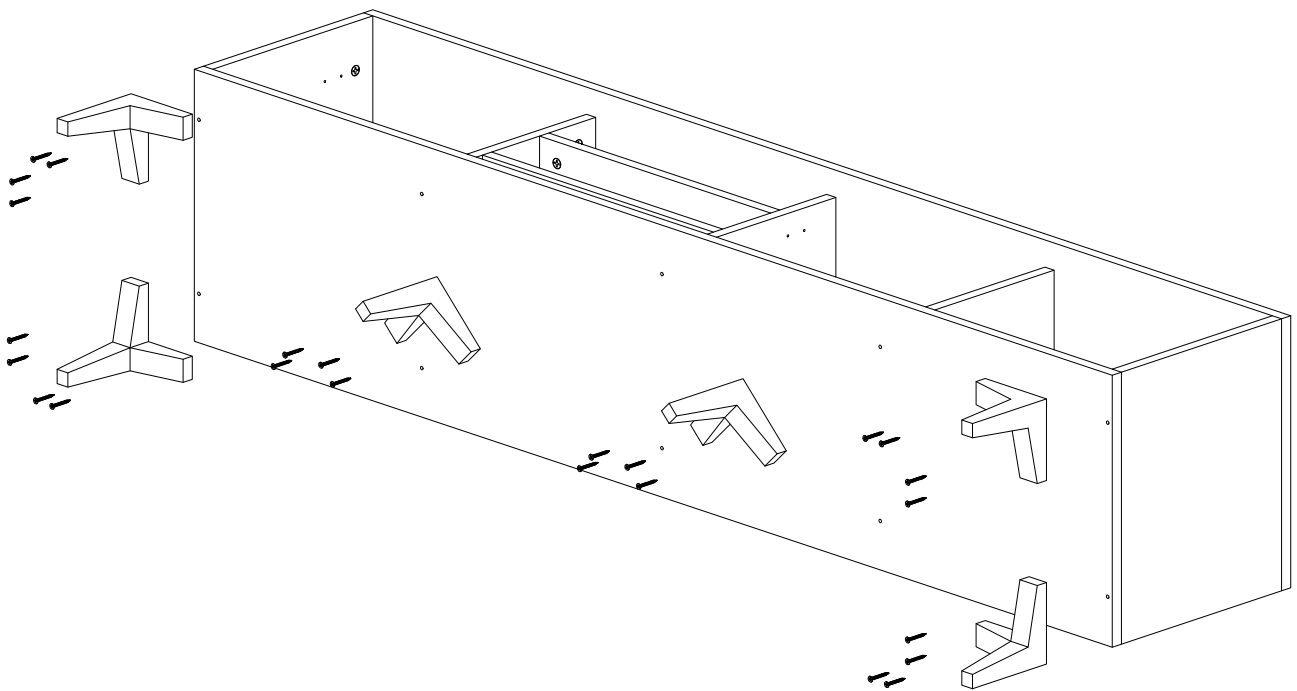
STEP 5 :

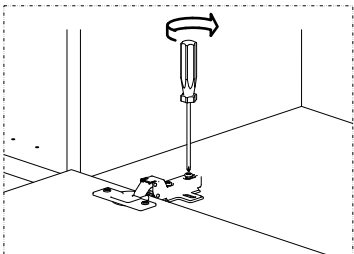
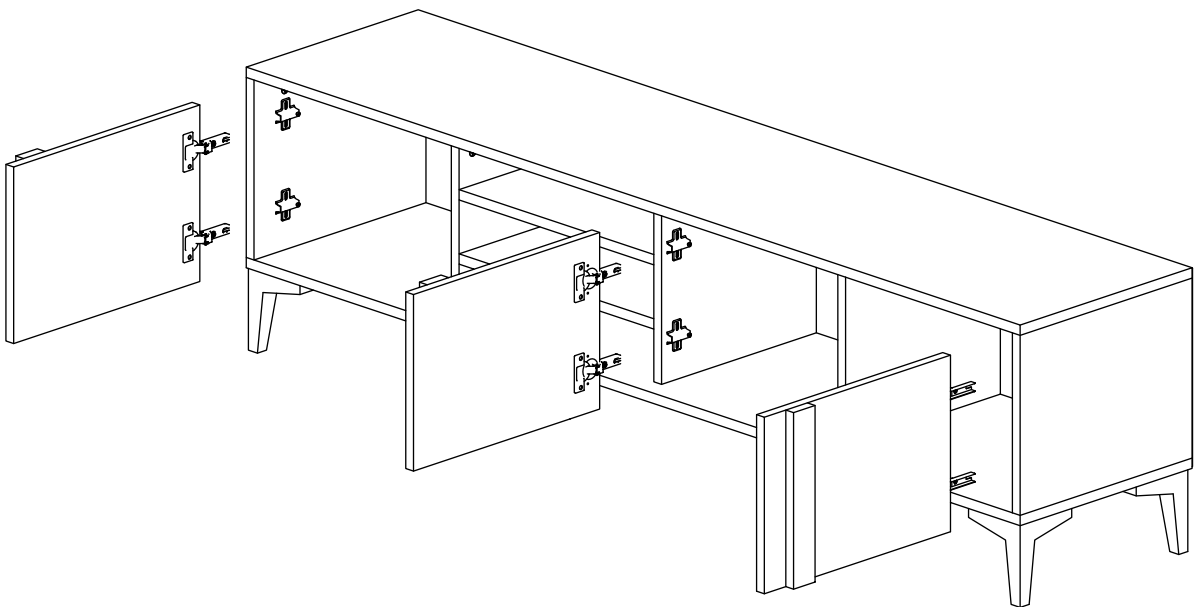
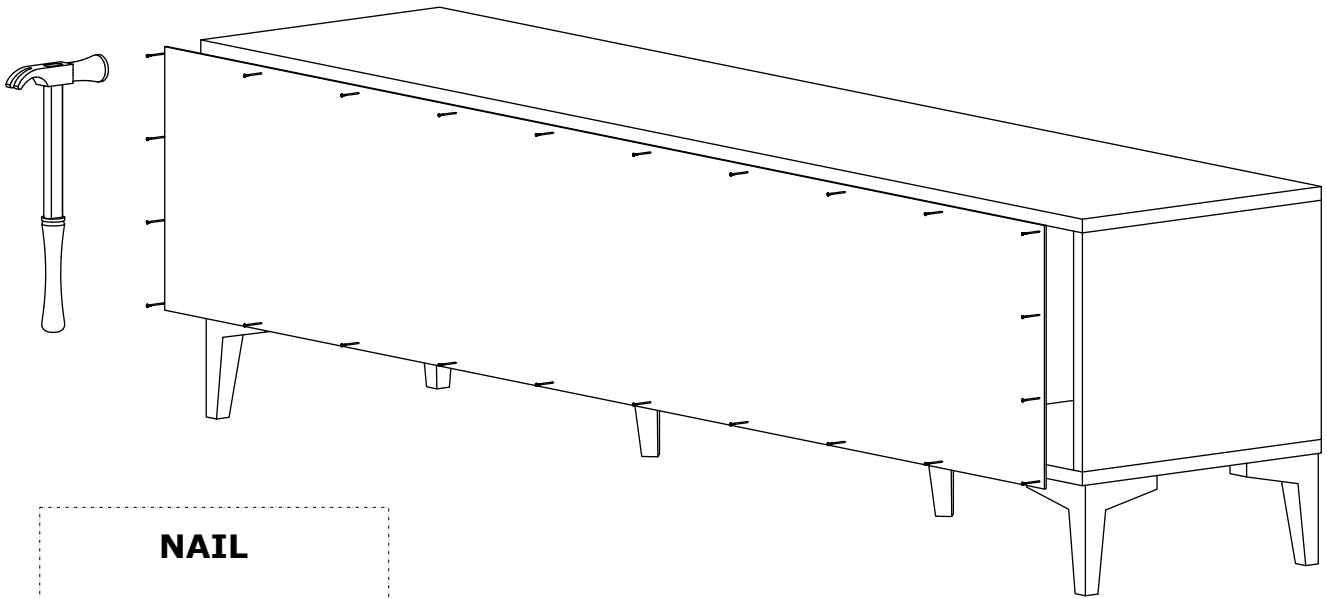


4*50 SCREW



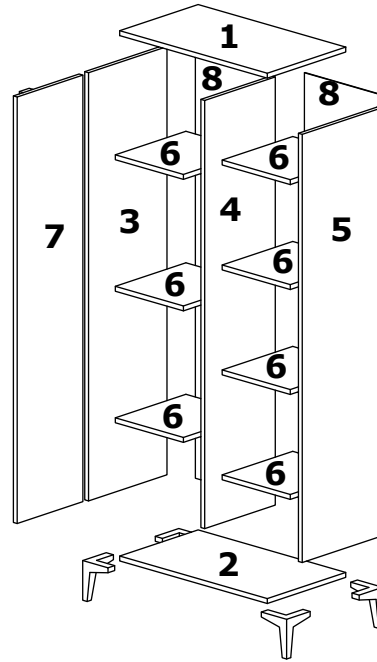
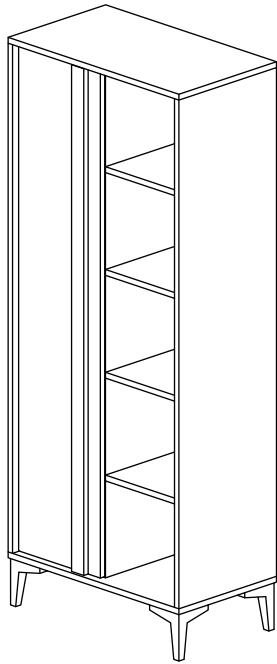
STEP 6 :





IRAZ BOOKSHELF

ASSEMBLY INSTRUCTIONS

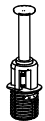


MINIFIX



34 PCS

DUFIX



34 PCS

DOWEL



6 PCS

4*50 SCREW



6 PCS

3,5*18 SCREW



8 PCS

4*25 SCREW



15 PCS

HINGE



2 PCS

HINGE



2 PCS

MINIFIX TAP



34 PCS

LEG



4 PCS

NAIL



50 PCS

Dear Customer.

This product you have purchased has been subjected to all tests and controls by us before it reaches you.

Even in this case, some parts may be damaged during transportation. In such cases, do not send the whole product back, only request the damaged part from us. The missing part will be sent to you immediately.

Before starting assembly, check all parts and accessories in the box according to the list. After making sure that the parts and accessories are intact, you can start assembly. Wipe each part with a damp cloth before starting assembly.

This product requires 2 (TWO) persons for installation.

Installation can be done in approximately 20 to 30 minutes.

If you have purchased more than one product, do not start the installation of the other product before the installation of one of the products is finished to avoid any confusion.

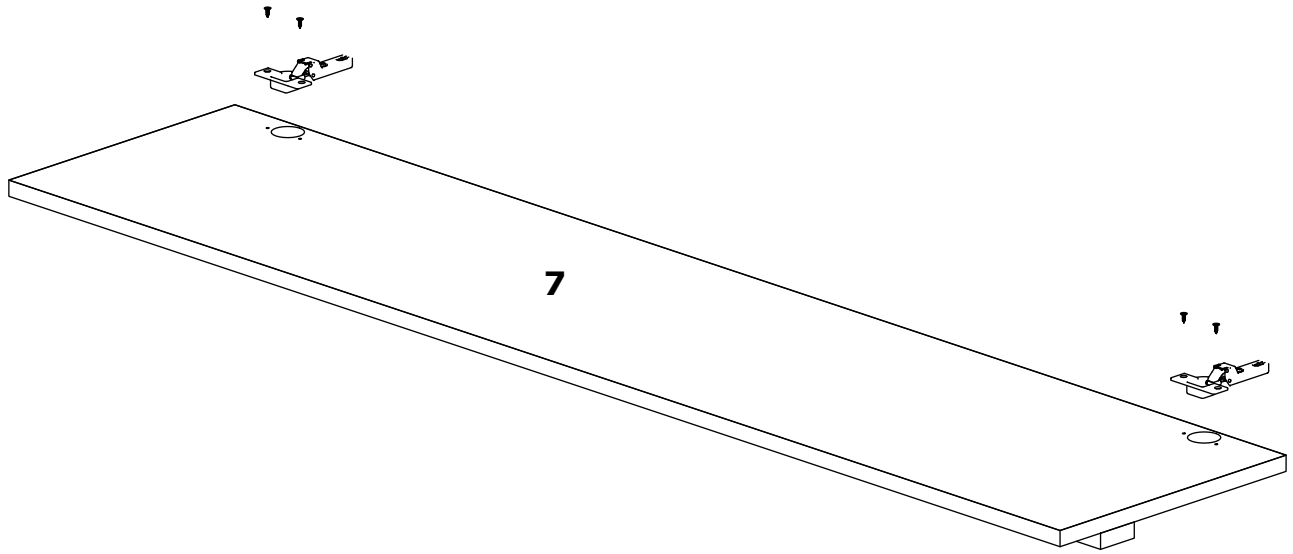
Never carry the products by rubbing. Carry 2 (two) people by lifting or disassembling the products.

If you are going to carry the product for long distance transportation, please pack the product carefully. For product cleaning, it will be sufficient to wipe with a damp or soapy cloth or wipe with other cleaners.

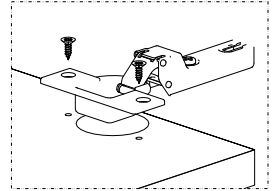
Since the furniture is affected by extreme heat, cold and humidity, do not expose it directly to these factors.

Do not use your furniture for other purposes.

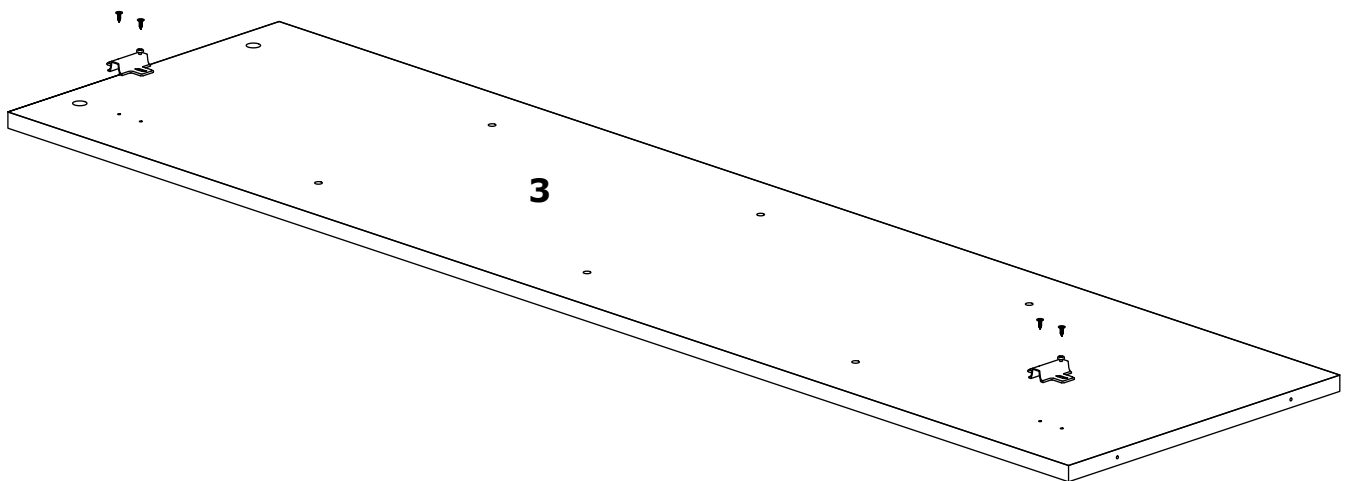
STEP 1 :



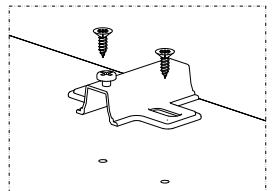
3,5*18 SCREW



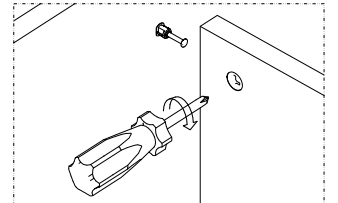
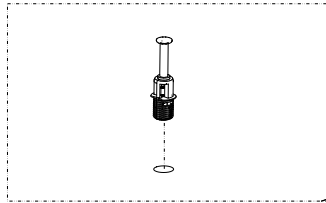
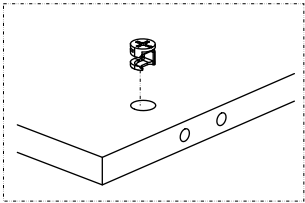
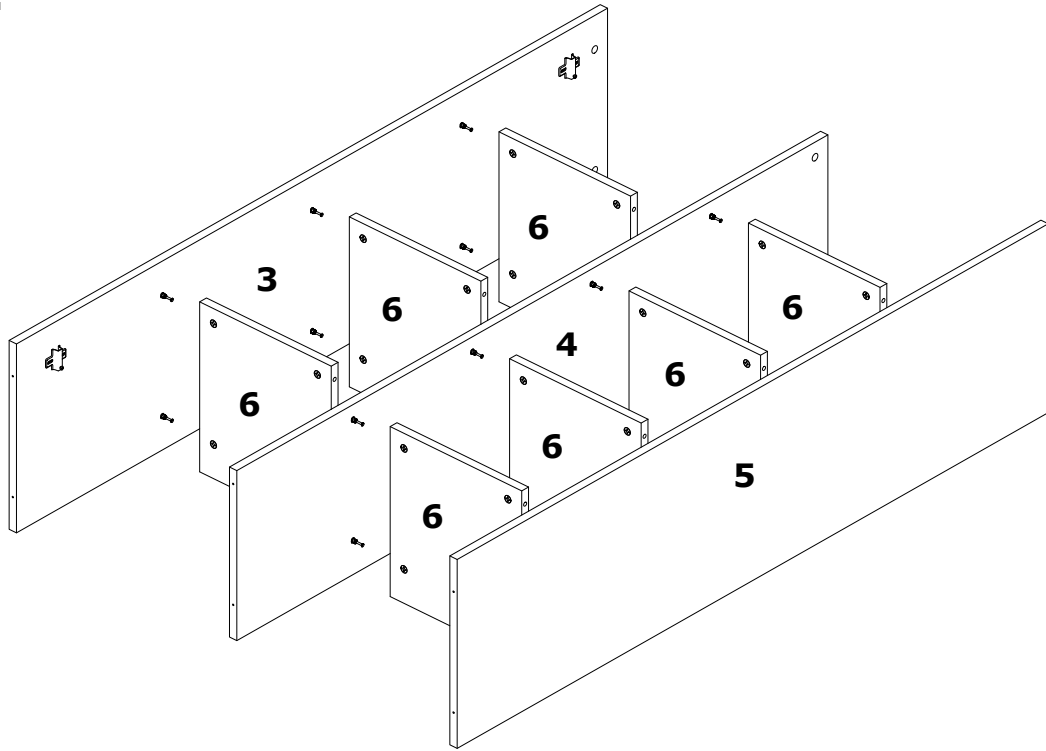
STEP 2 :



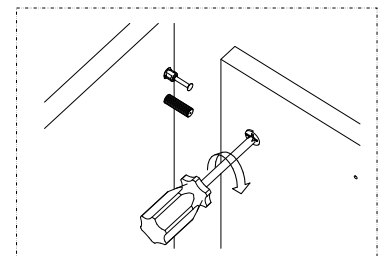
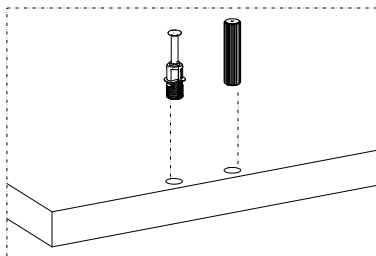
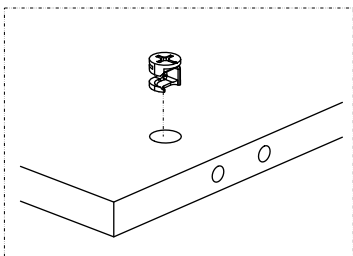
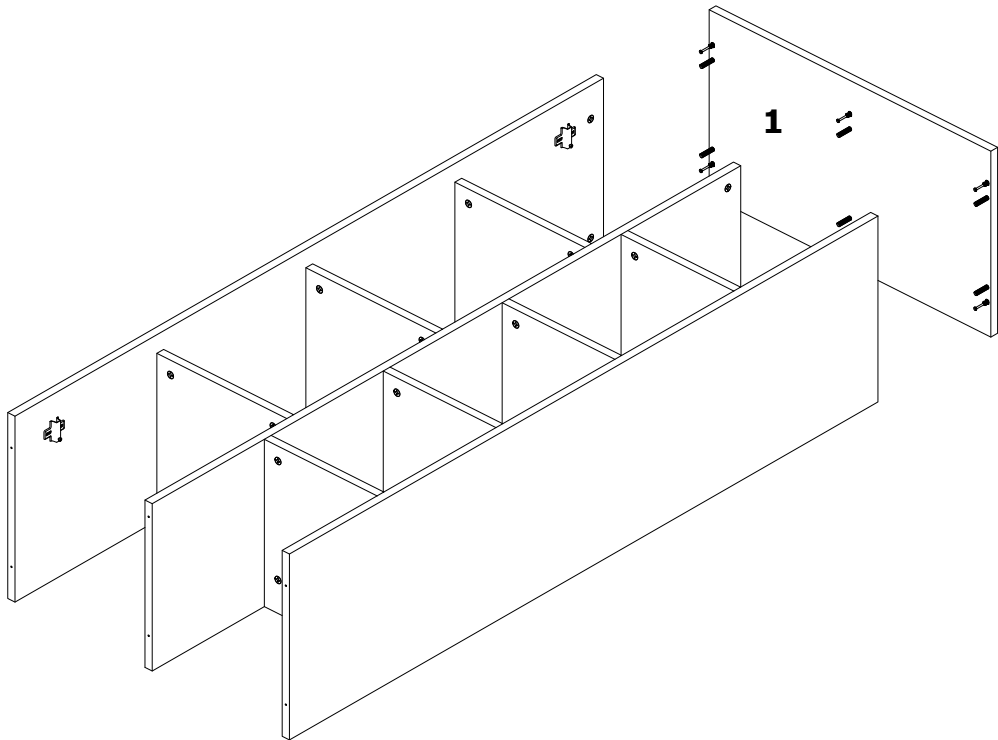
3,5*18 SCREW



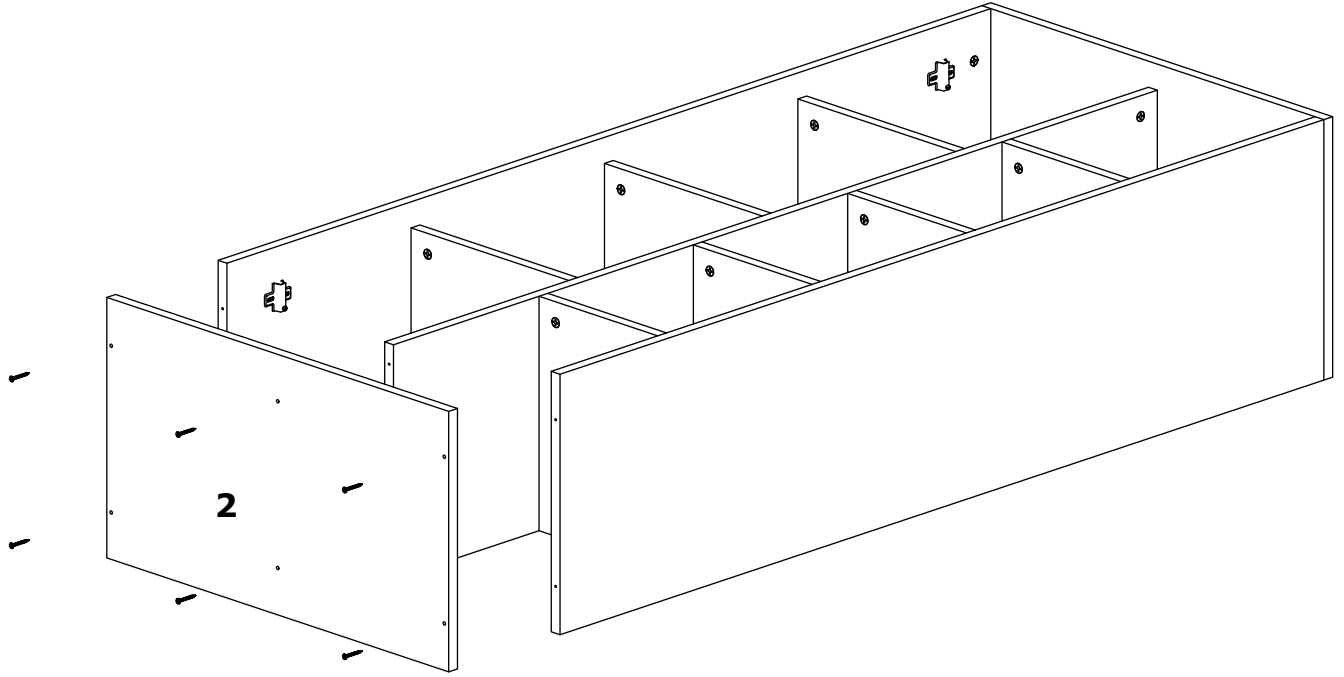
STEP 3 :



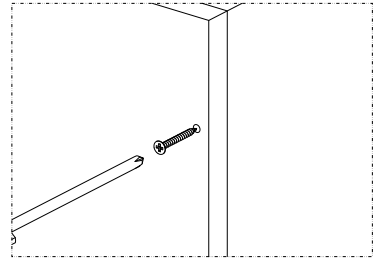
STEP 4 :



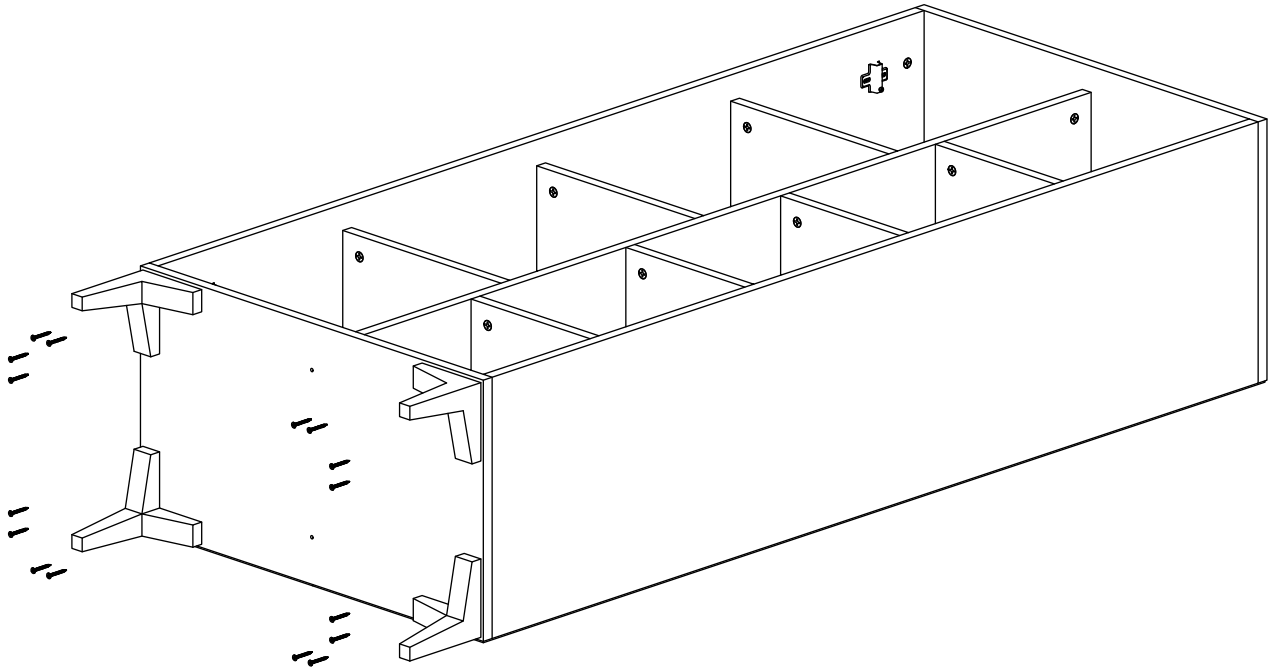
STEP 5 :



4*50 SCREW



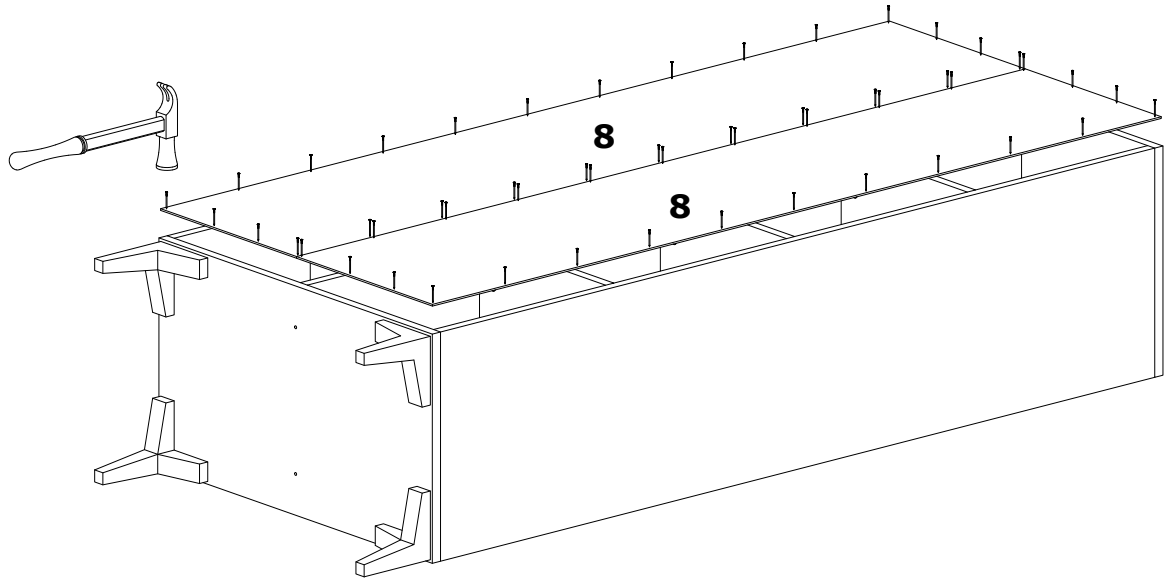
STEP 6 :



**4*35
SCREW**



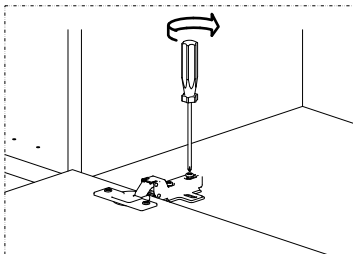
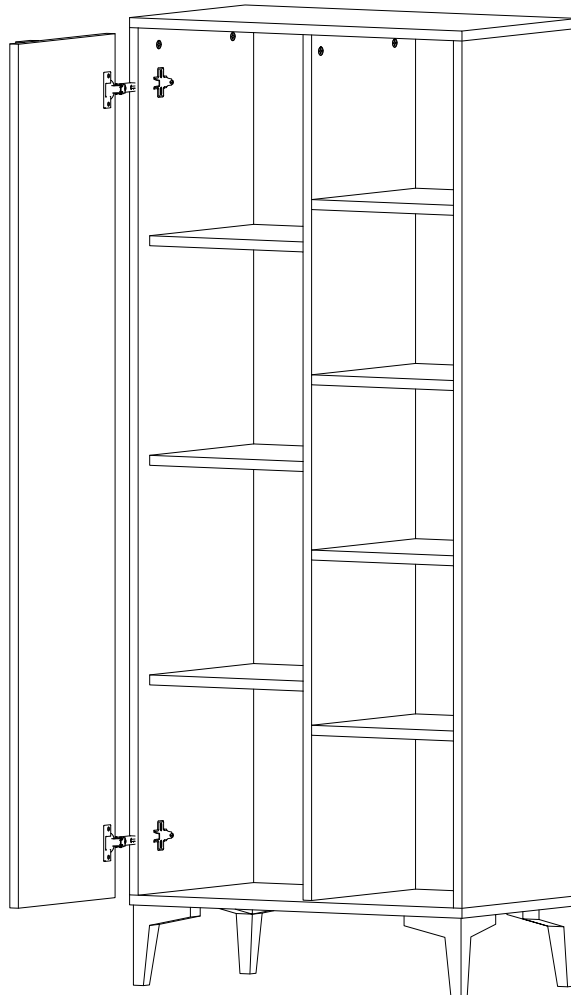
STEP 7 :



NAIL

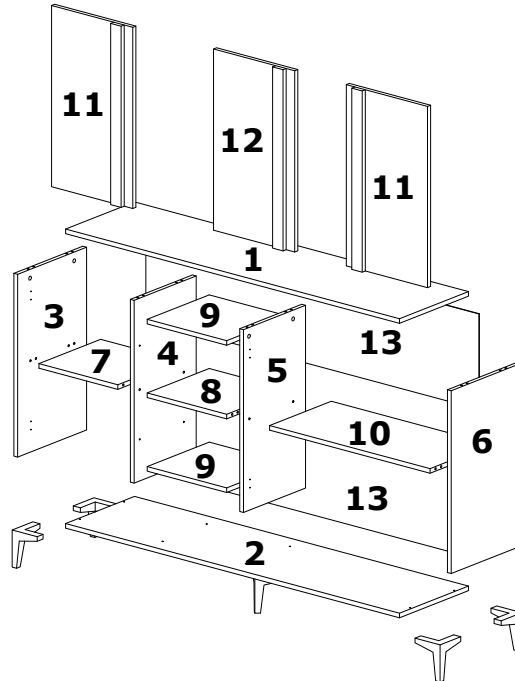
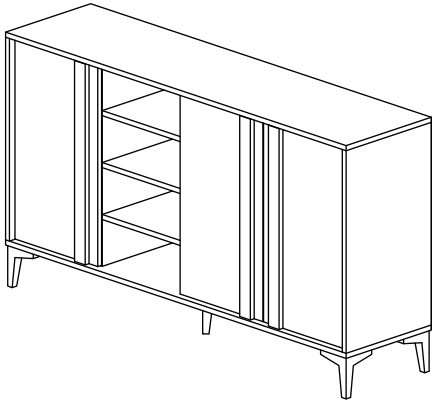






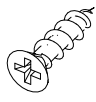



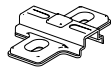

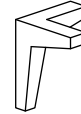

STEP 8 :



DORA CONSOLE

ASSEMBLY INSTRUCTIONS



MINIFIX  20 PCS	DUFIX  12 PCS	DOWEL  12 PCS	4*50 SCREW  8 PCS	3,5*18 SCREW  24 PCS	4*25 SCREW  20 PCS
HINGE  4 PCS	HINGE  2 PCS	HINGE  6 PCS	SHELF SUPPORT  8 PCS	LEG  5 PCS	NAIL  50 PCS

Dear Customer.

This product you have purchased has been subjected to all tests and controls by us before it reaches you.

Even in this case, some parts may be damaged during transportation. In such cases, do not send the whole product back, only request the damaged part from us. The missing part will be sent to you immediately.

Before starting assembly, check all parts and accessories in the box according to the list. After making sure that the parts and accessories are intact, you can start assembly. Wipe each part with a damp cloth before starting assembly.

This product requires 2 (TWO) persons for installation.

Installation can be done in approximately 20 to 30 minutes.

If you have purchased more than one product, do not start the installation of the other product before the installation of one of the products is finished to avoid any confusion.

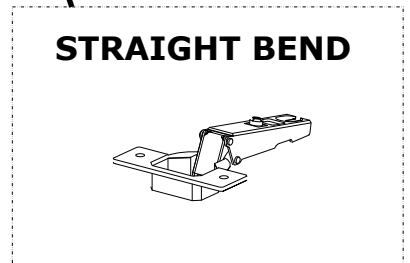
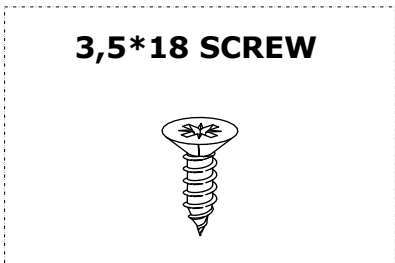
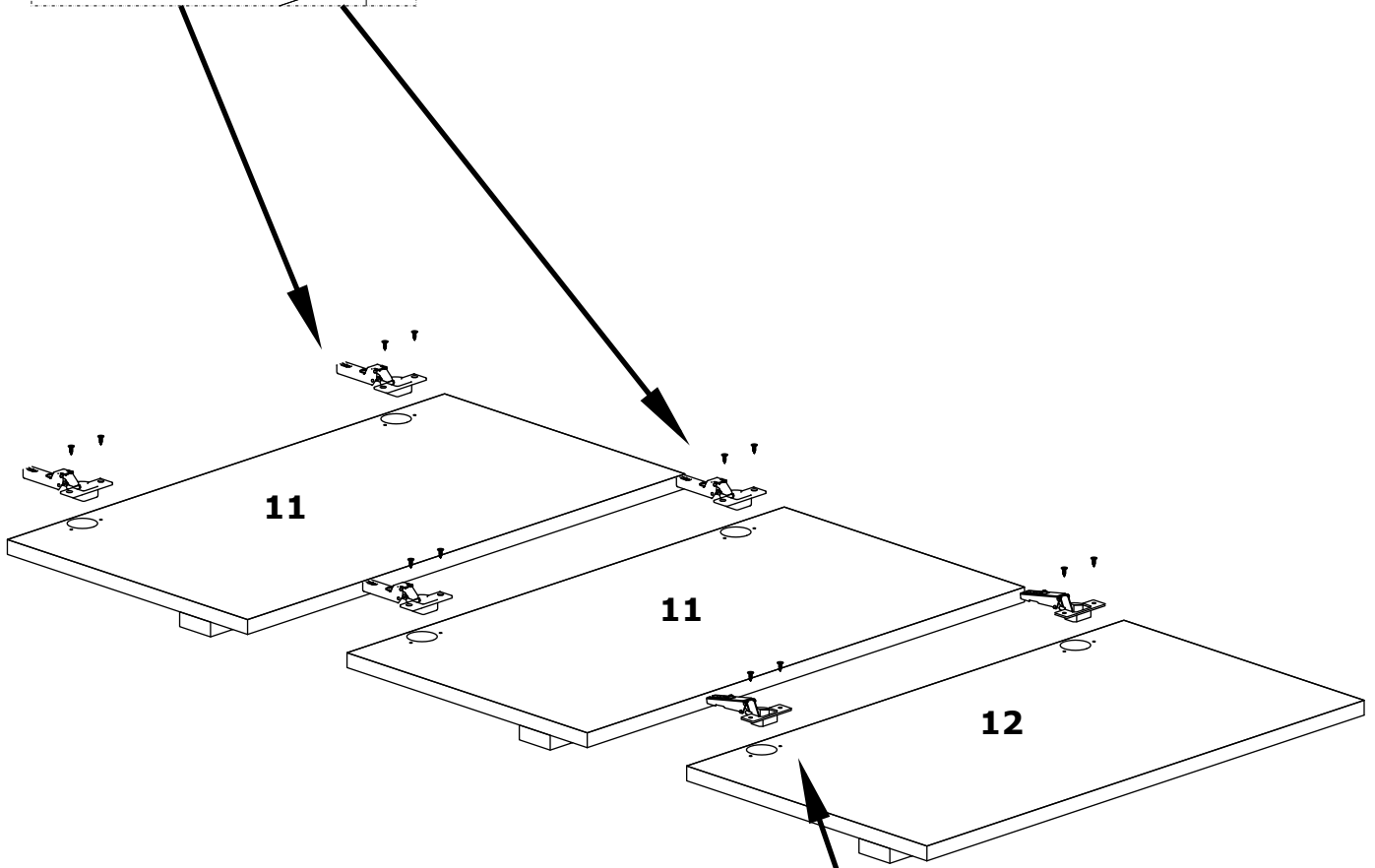
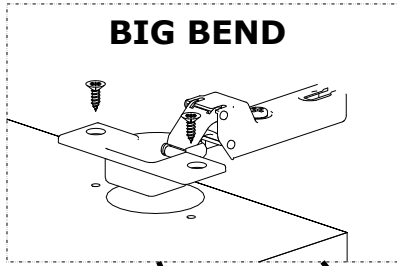
Never carry the products by rubbing. Carry 2 (two) people by lifting or disassembling the products.

If you are going to carry the product for long distance transportation, please pack the product carefully. For product cleaning, it will be sufficient to wipe with a damp or soapy cloth or wipe with other cleaners.

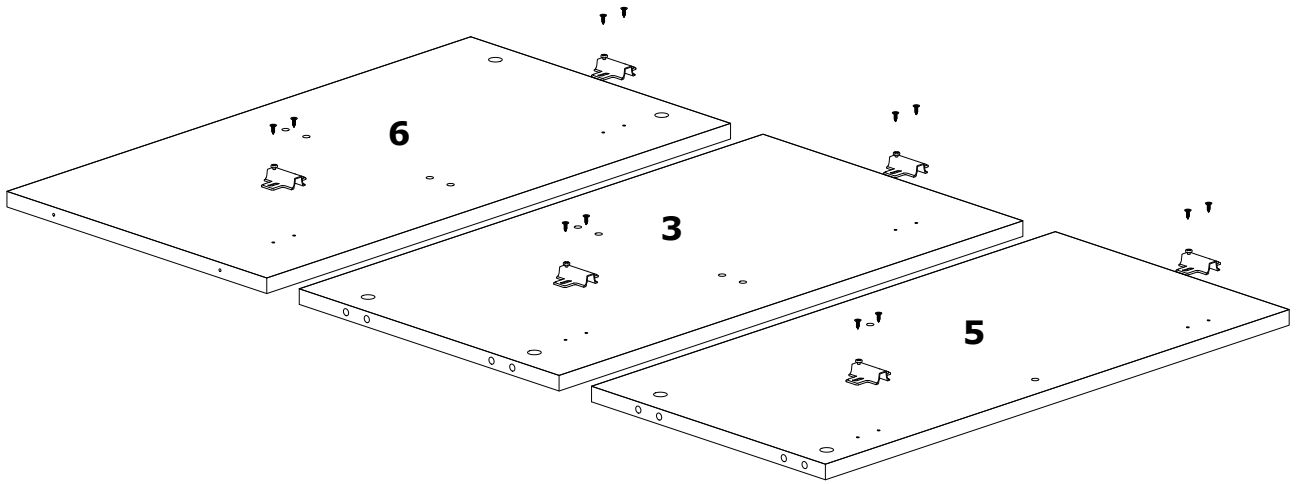
Since the furniture is affected by extreme heat, cold and humidity, do not expose it directly to these factors.

Do not use your furniture for other purposes.

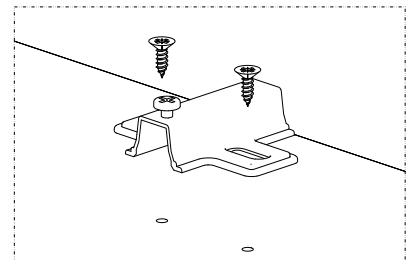
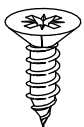
STEP 1 :



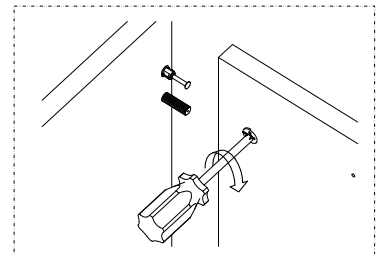
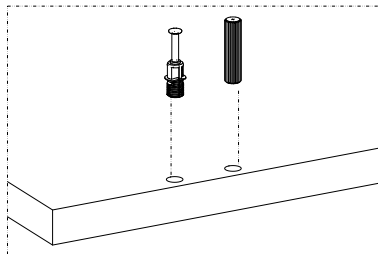
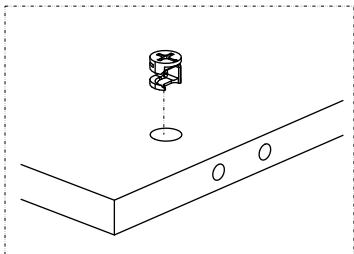
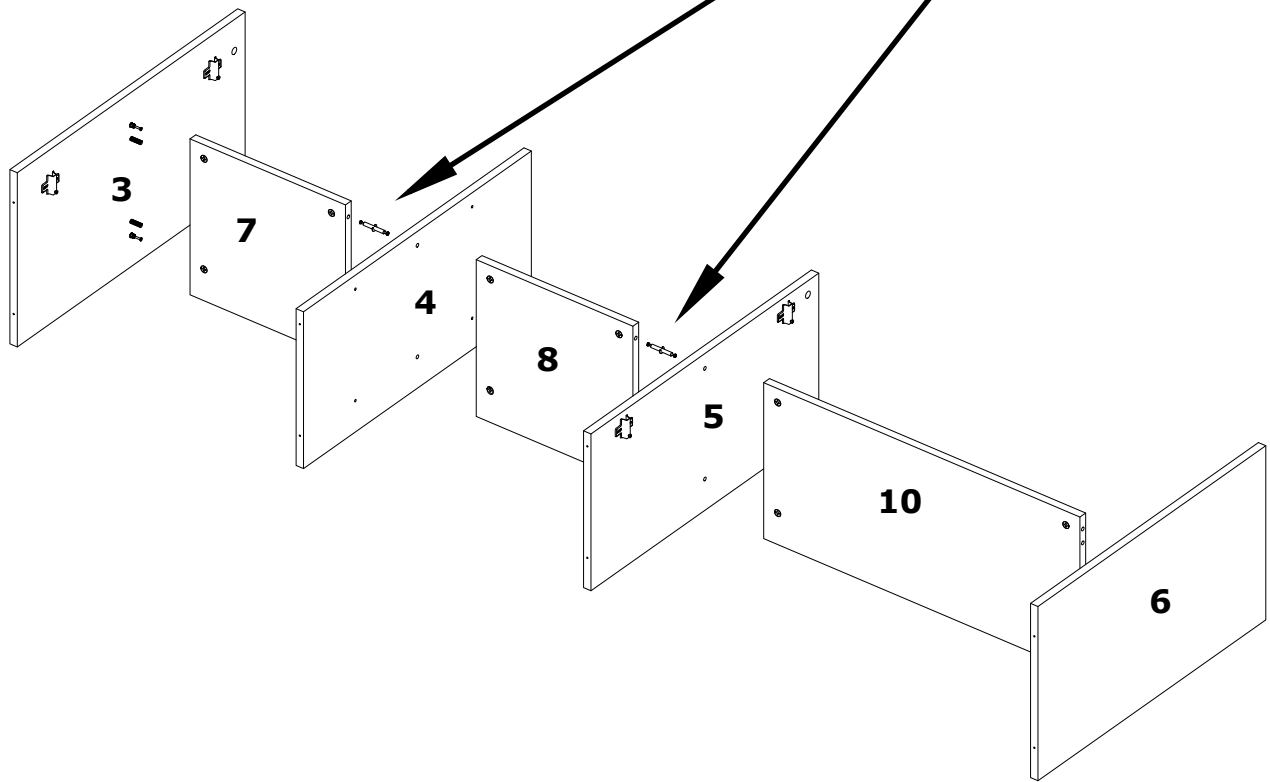
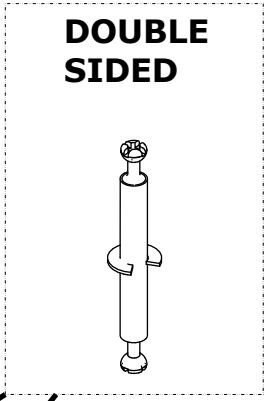
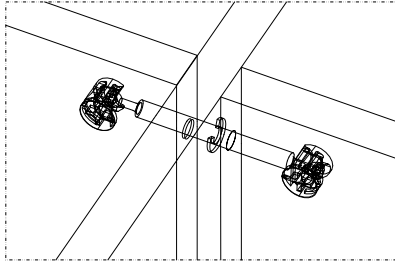
STEP 2 :



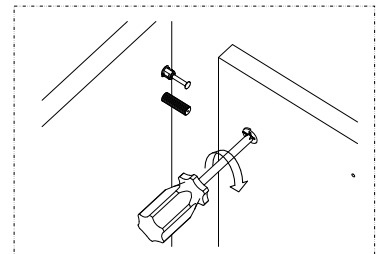
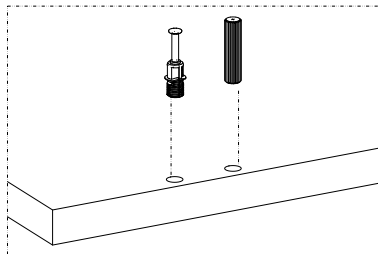
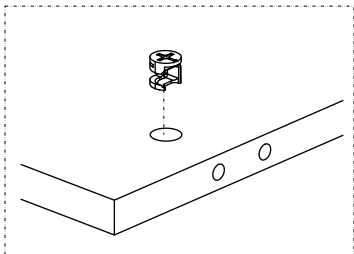
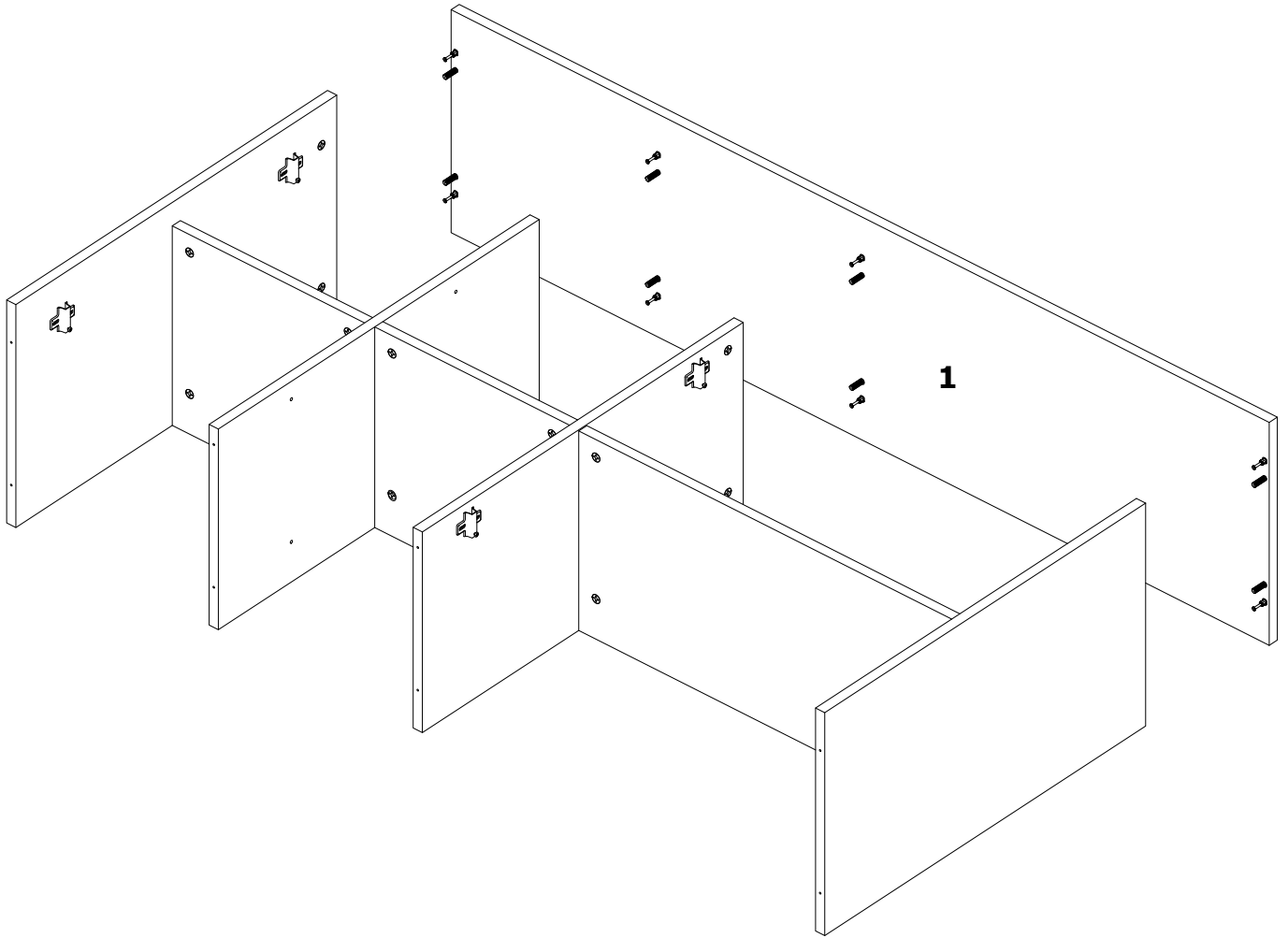
3,5*18 SCREW



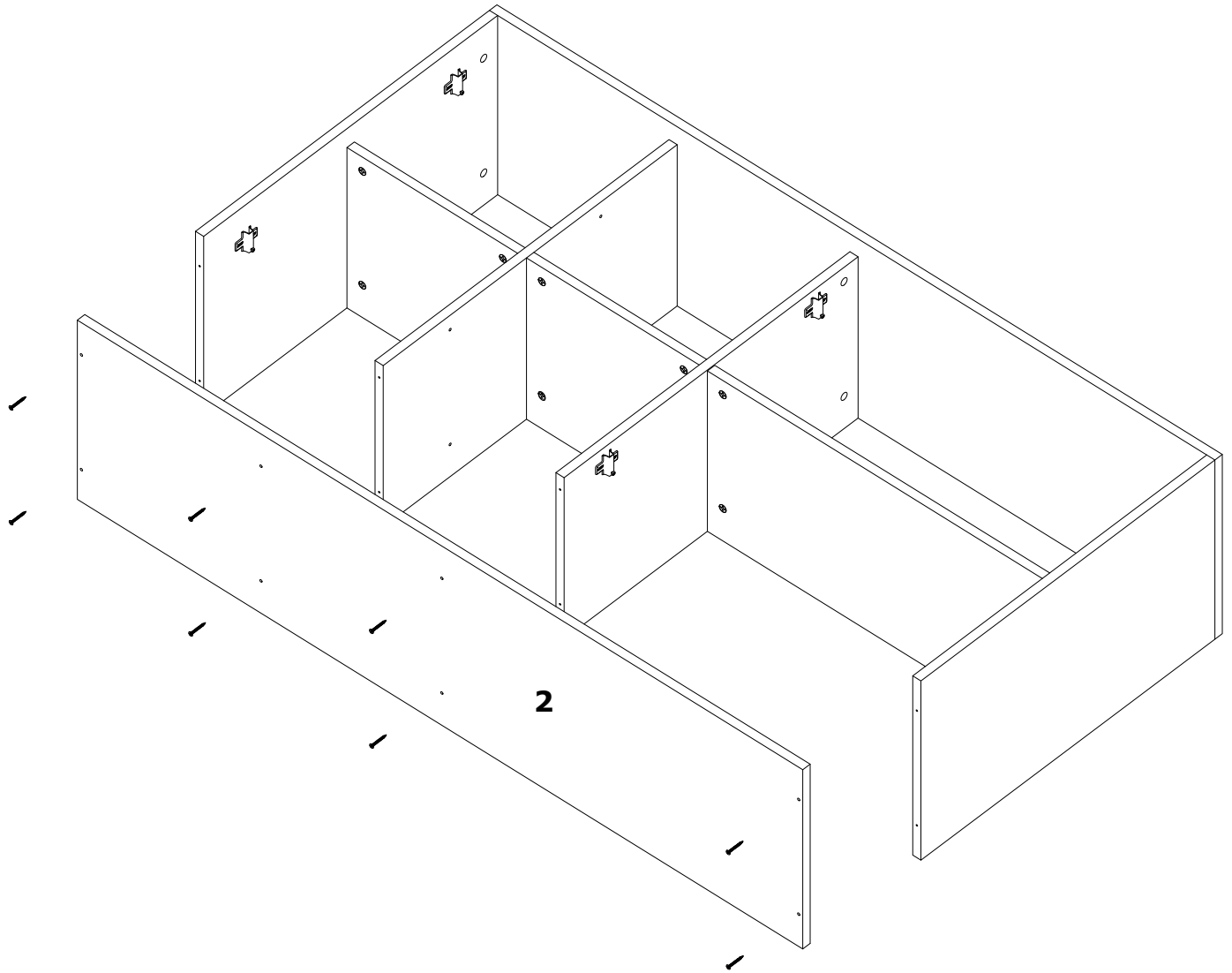
STEP 3 :



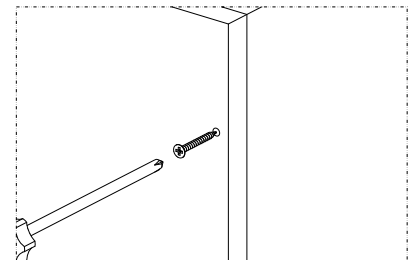
STEP 4 :



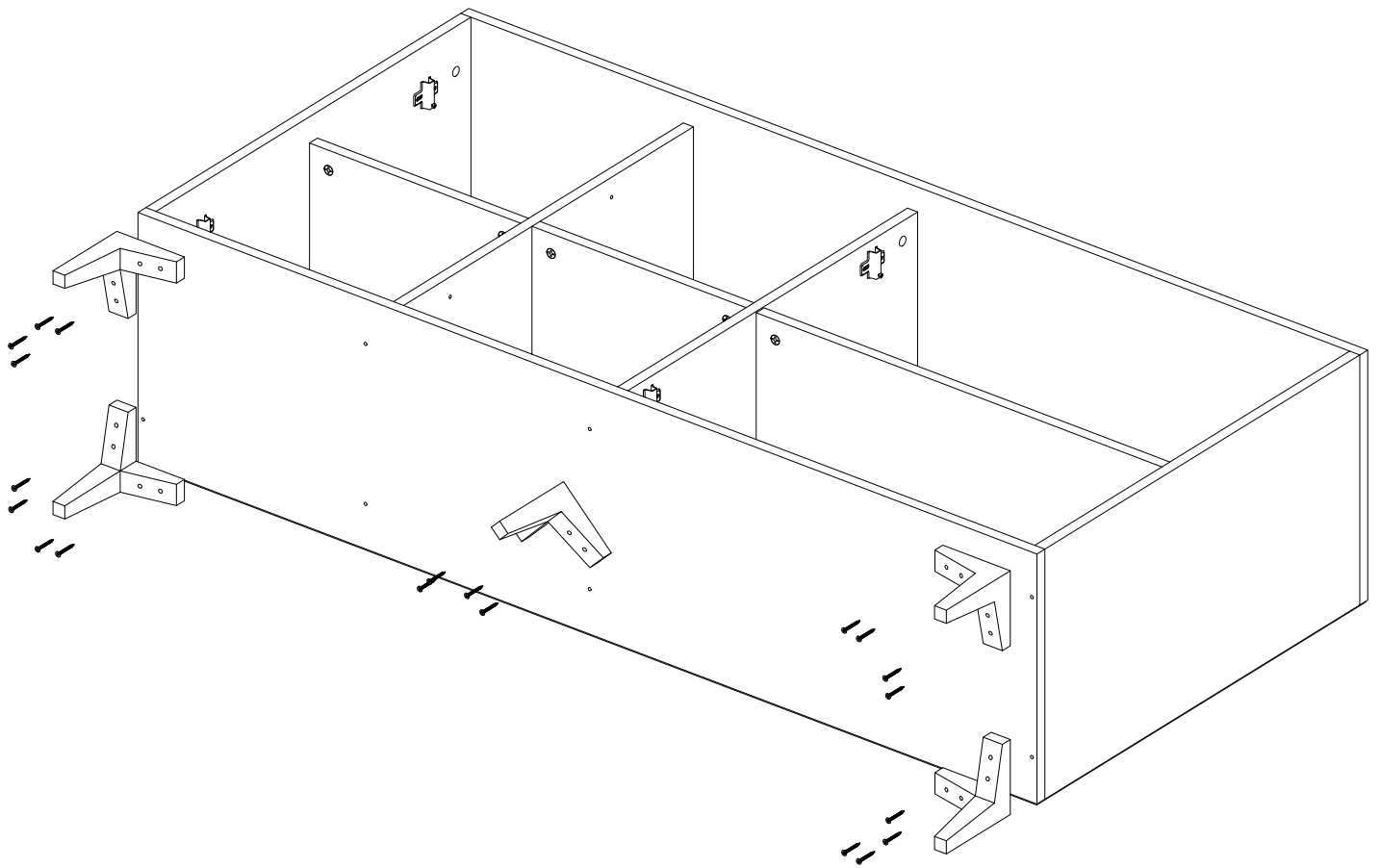
STEP 5 :



4*50 SCREW



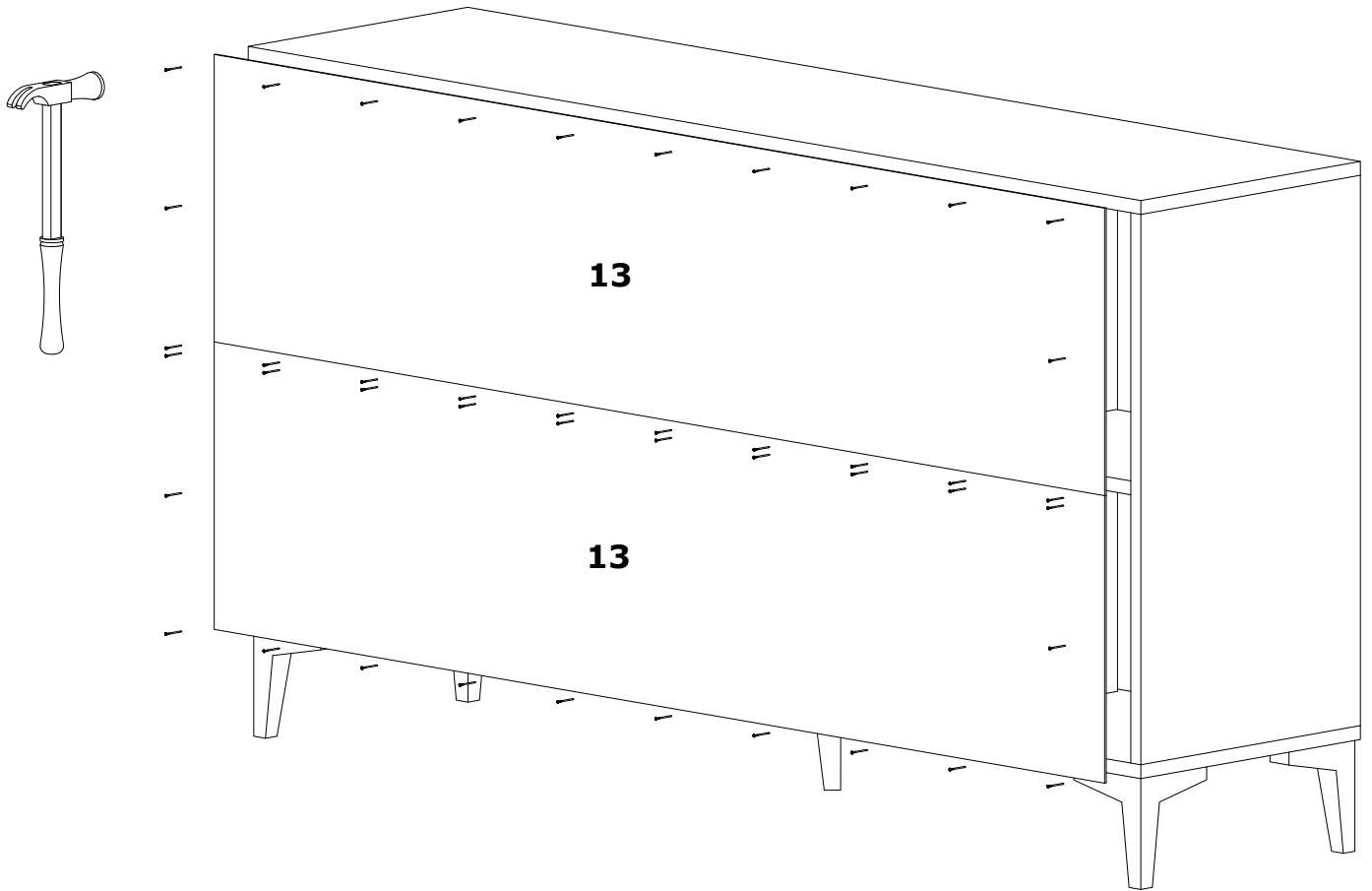
STEP 6 :



4*25 SCREW



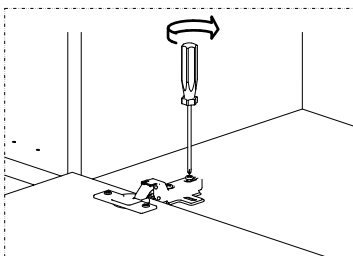
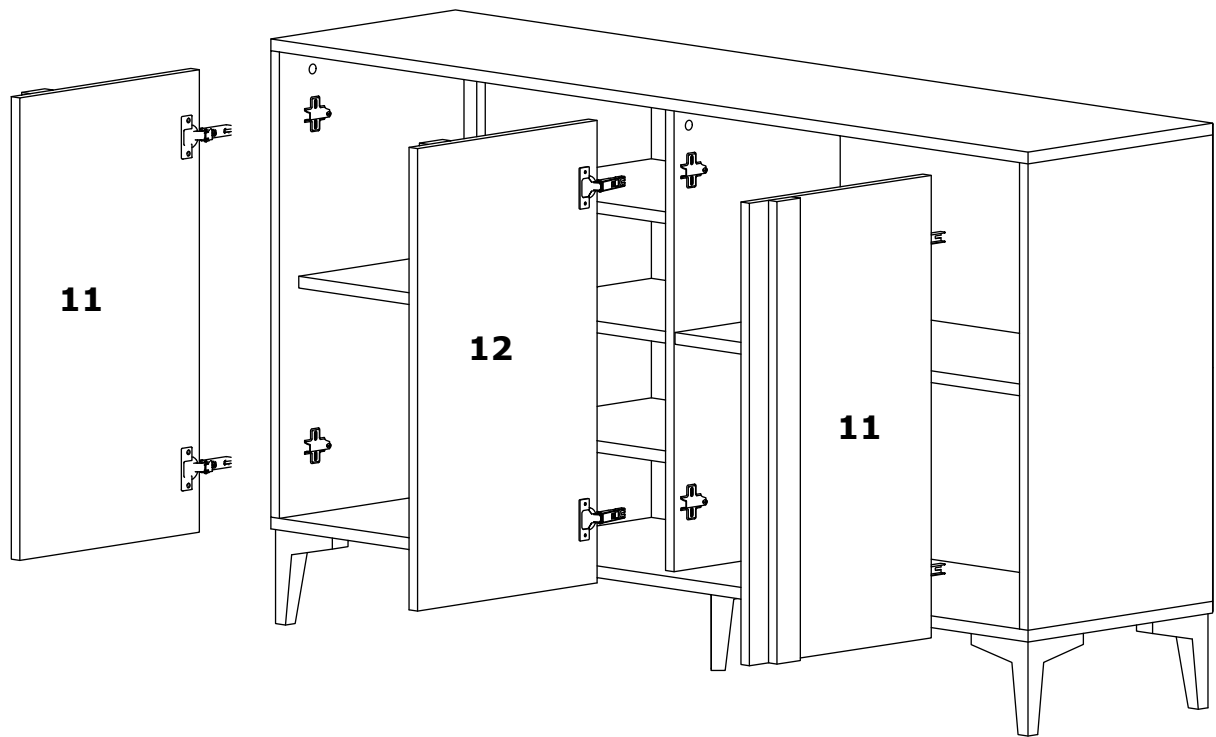
STEP 7 :



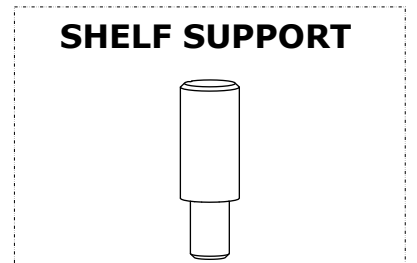
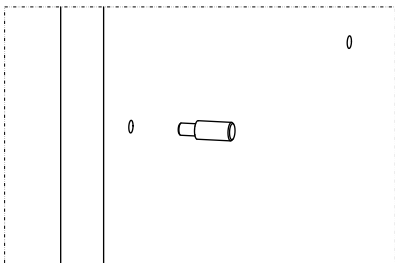
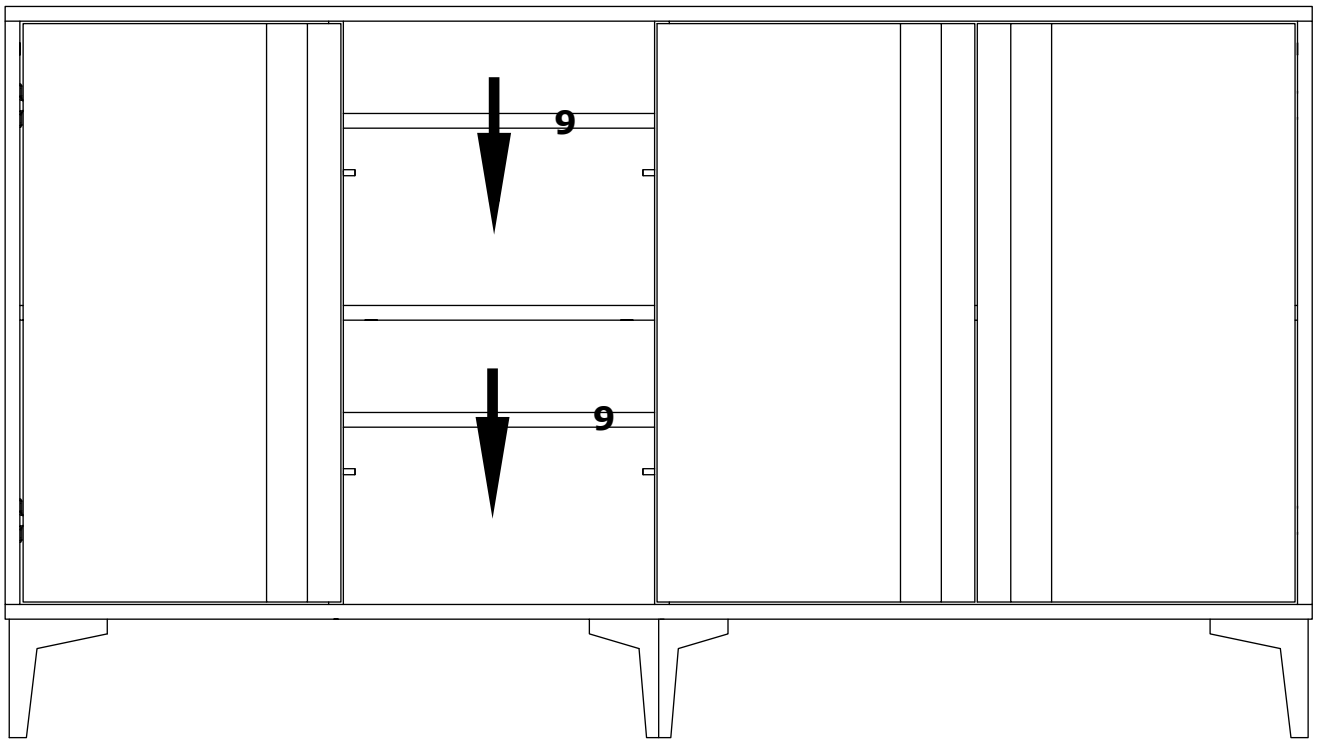
NAIL



STEP 8 :

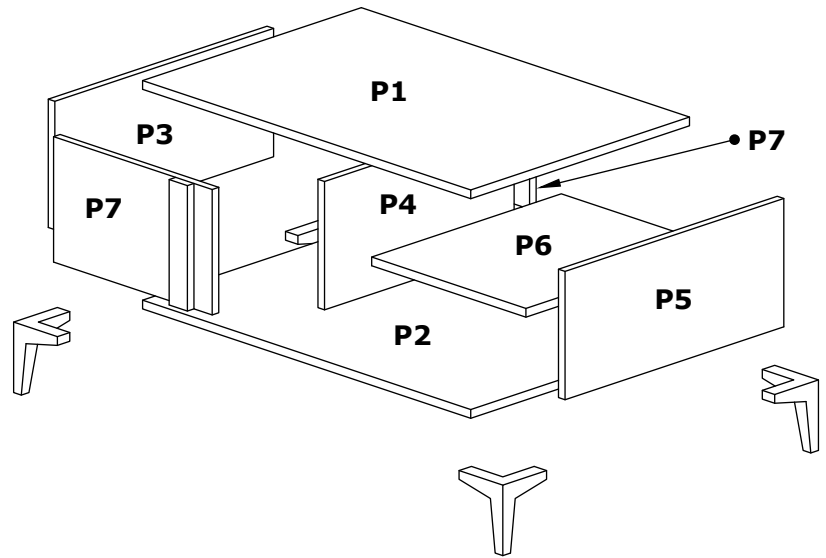
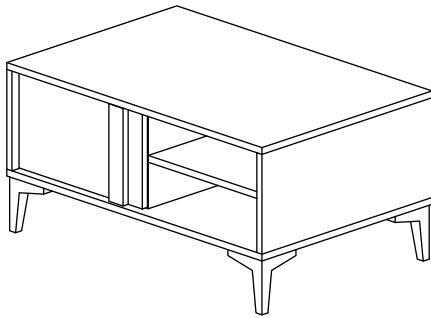


STEP 9 :



SONAY COFFEE TABLE

ASSEMBLY INSTRUCTIONS

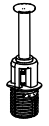


MINIFIX



10 PCS

DUFIX



10 PCS

DOWEL



10 PCS

4*50 SCREW



6 PCS

3,5*18 SCREW



16 PCS

4*25 SCREW



16 PCS

HINGE



4 PCS

HINGE



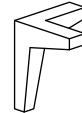
4 PCS

MINIFIX TAP



10 PCS

LEG



4 PCS

Dear Customer.

This product you have purchased has been subjected to all tests and controls by us before it reaches you.

Even in this case, some parts may be damaged during transportation. In such cases, do not send the whole product back, only request the damaged part from us. The missing part will be sent to you immediately.

Before starting assembly, check all parts and accessories in the box according to the list. After making sure that the parts and accessories are intact, you can start assembly. Wipe each part with a damp cloth before starting assembly.

This product requires 2 (TWO) persons for installation.

Installation can be done in approximately 20 to 30 minutes.

If you have purchased more than one product, do not start the installation of the other product before the installation of one of the products is finished to avoid any confusion.

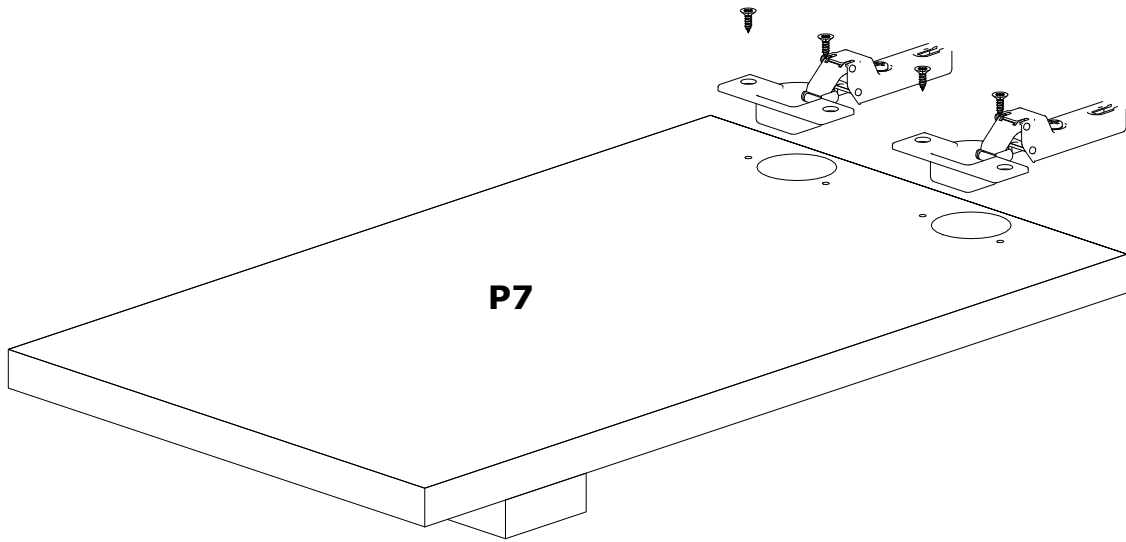
Never carry the products by rubbing. Carry 2 (two) people by lifting or disassembling the products.

If you are going to carry the product for long distance transportation, please pack the product carefully. For product cleaning, it will be sufficient to wipe with a damp or soapy cloth or wipe with other cleaners.

Since the furniture is affected by extreme heat, cold and humidity, do not expose it directly to these factors.

Do not use your furniture for other purposes.

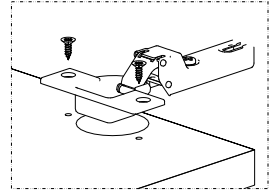
STEP 1 :



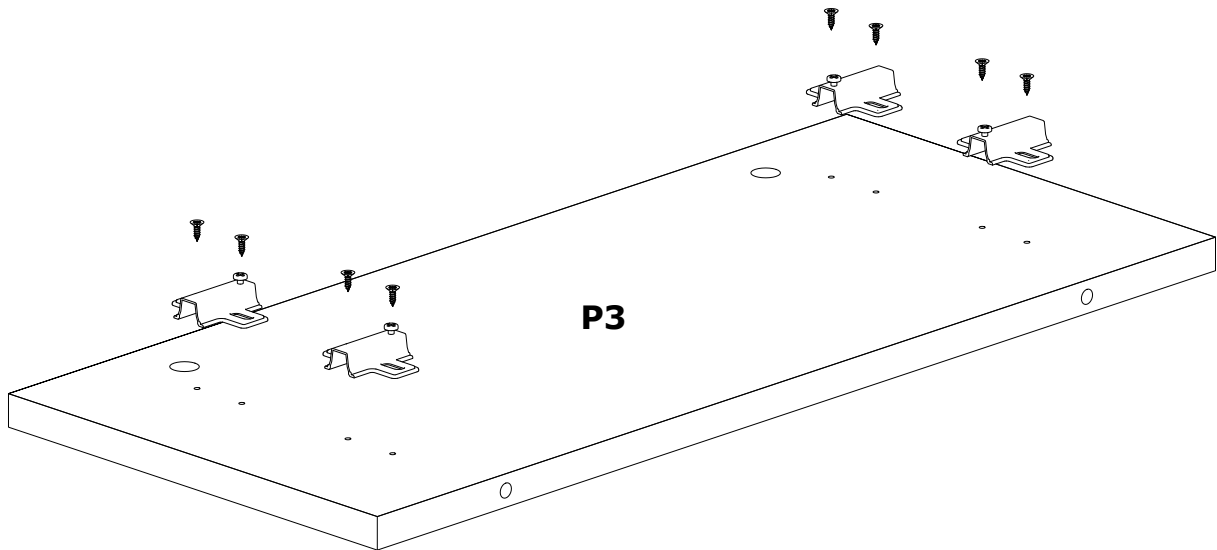
3,5*18 SCREW



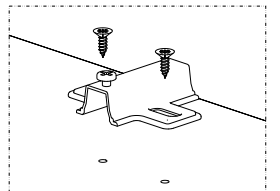
2 PCS



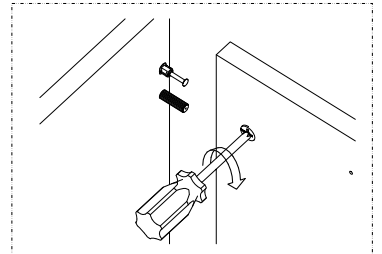
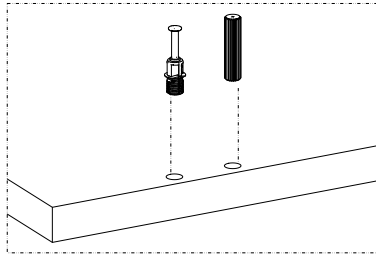
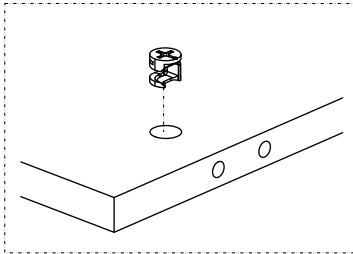
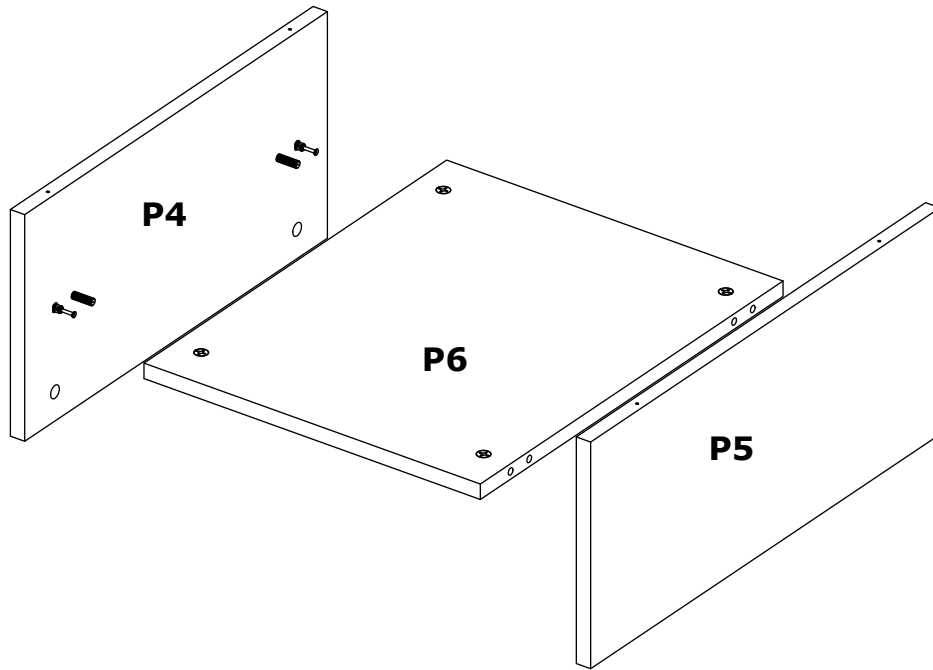
STEP 2 :



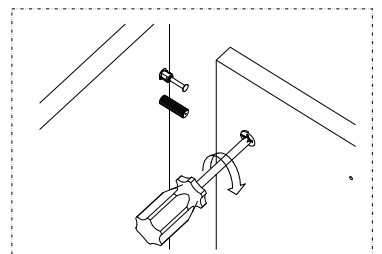
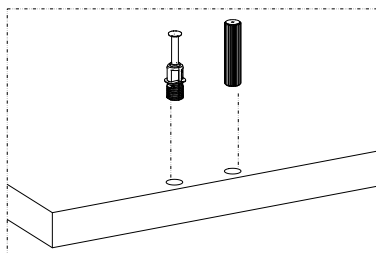
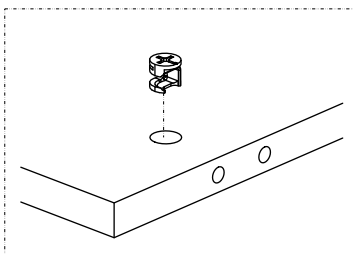
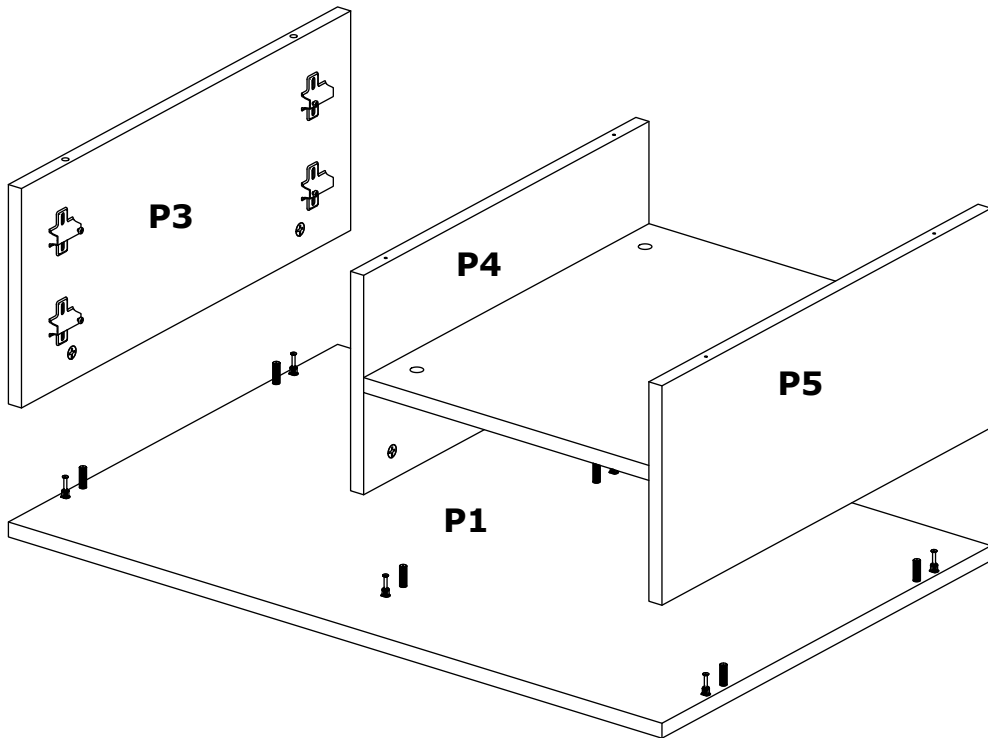
3,5*18 SCREW



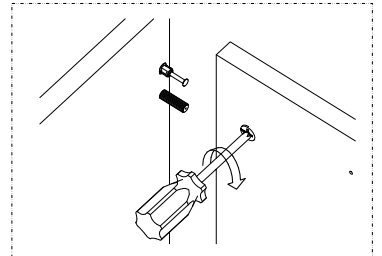
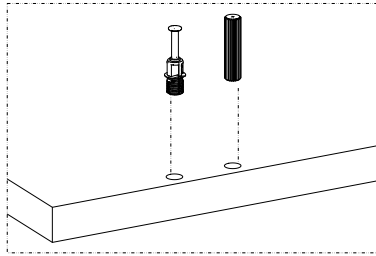
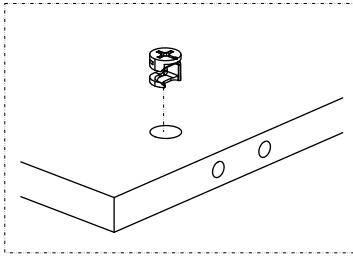
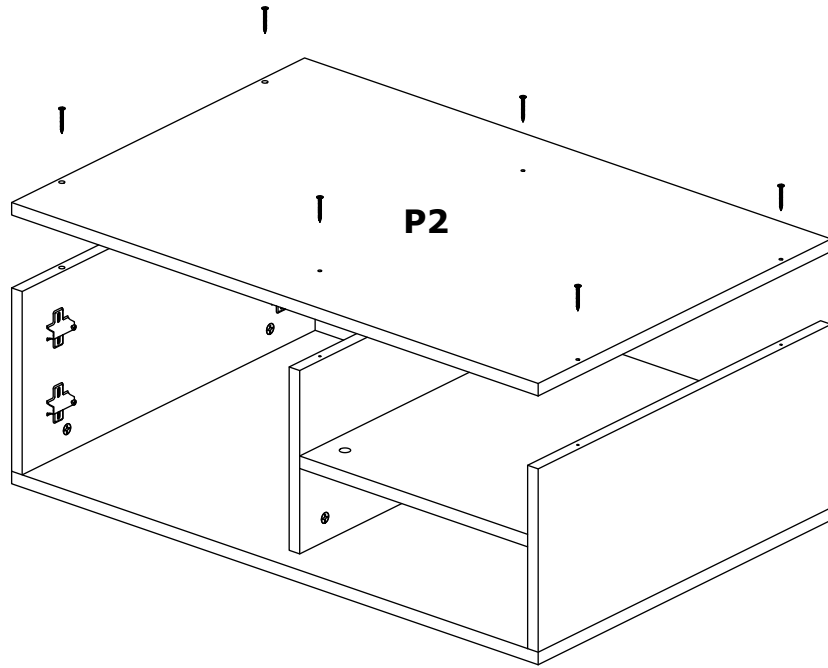
STEP 3 :



STEP 4 :



STEP 5 :



STEP 6 :

