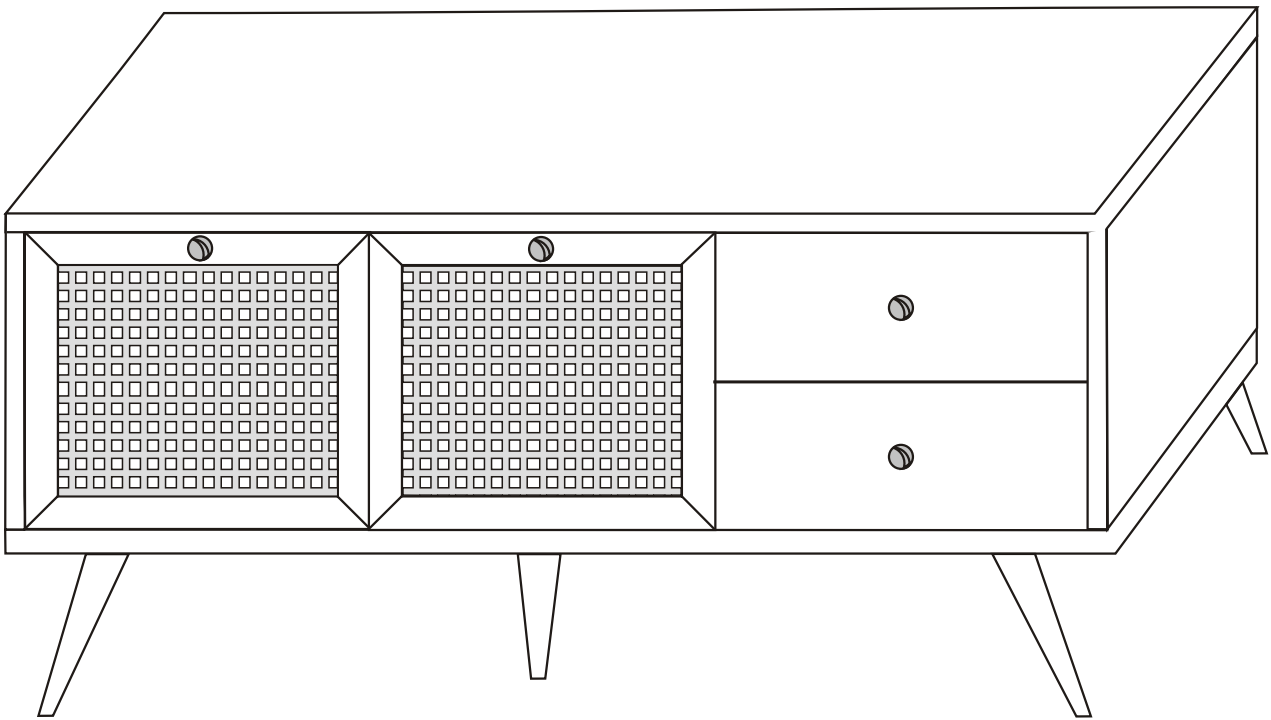


PATARA -180

Assembly Manual

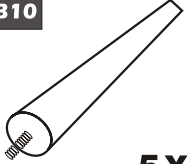
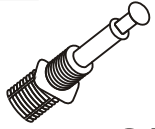

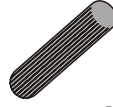
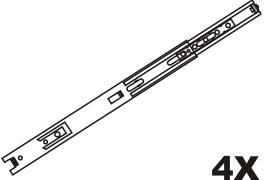
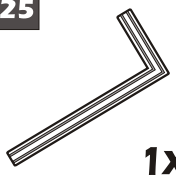


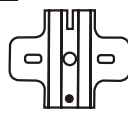
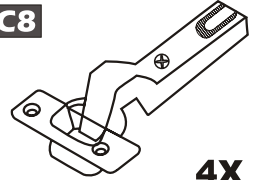

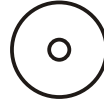
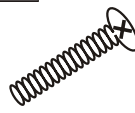
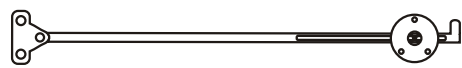


Kalune Design
Furniture

ATTENTION !! PATARA -180

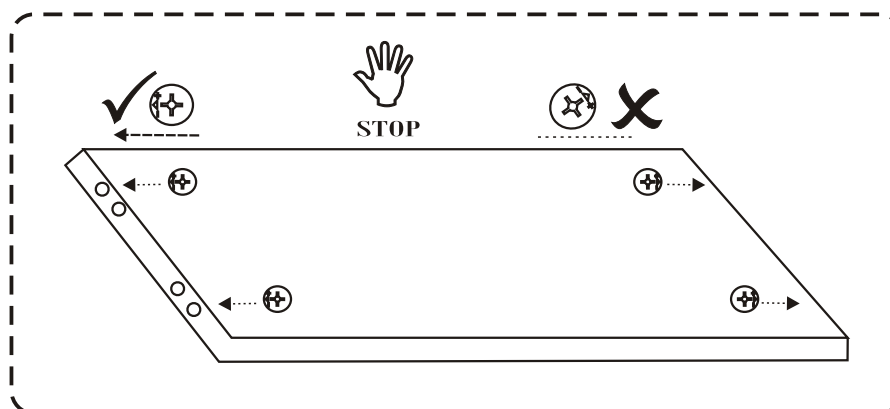
Minifix is the main connection material used in Decortile products ,
Before starting assembly , Please check the drawings below

Accessory List

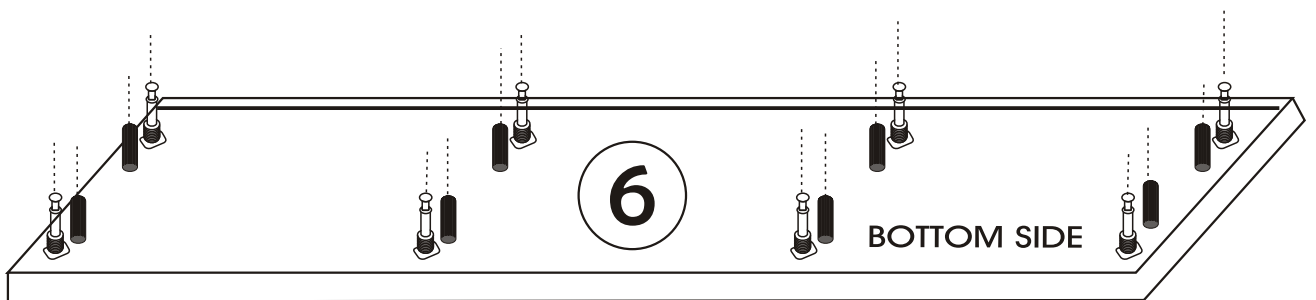
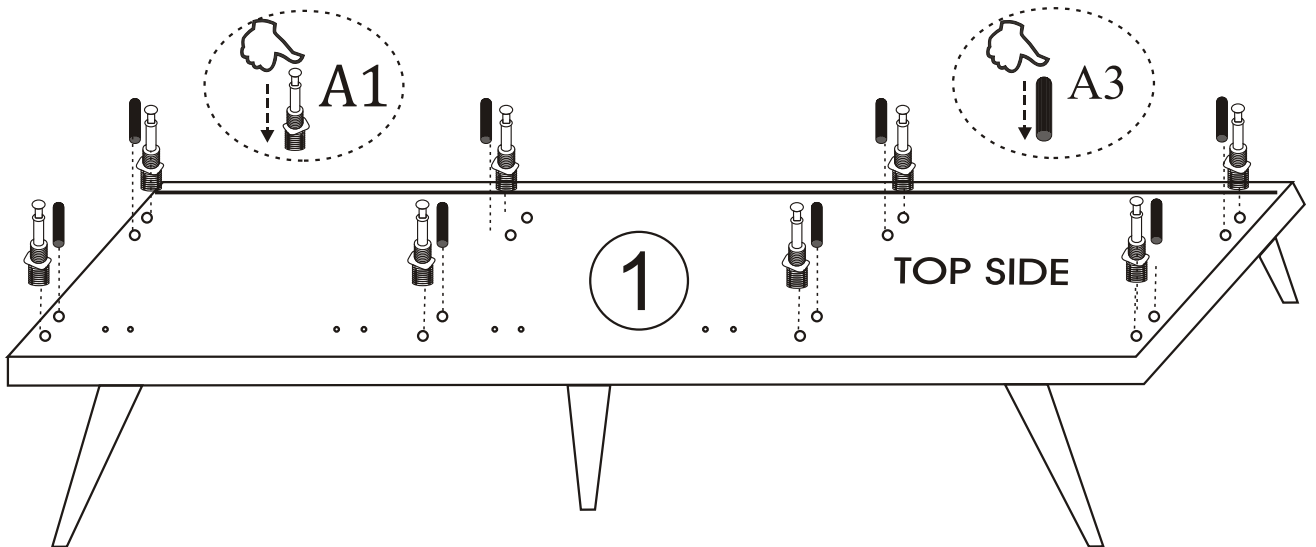
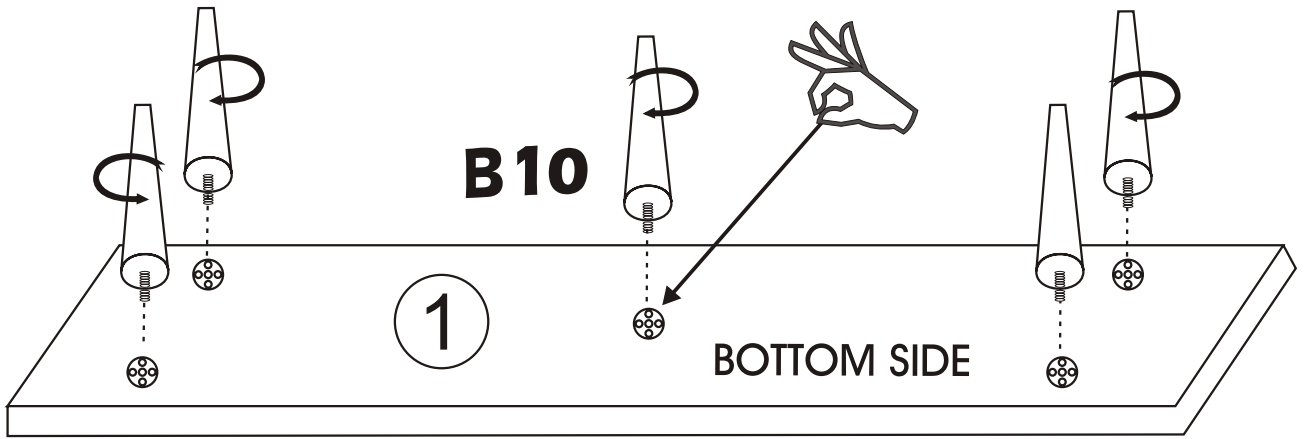
B10  5X	A1 Minifix  24X	A2 Minifix  24X	A3  16X	 4X
T25  1X	T24 6x50 m  8X	 4X	C7  4X	C8  4X
N20 3,5x18  40X	 24X	C9  4X	 2X	

GENERAL VIEW

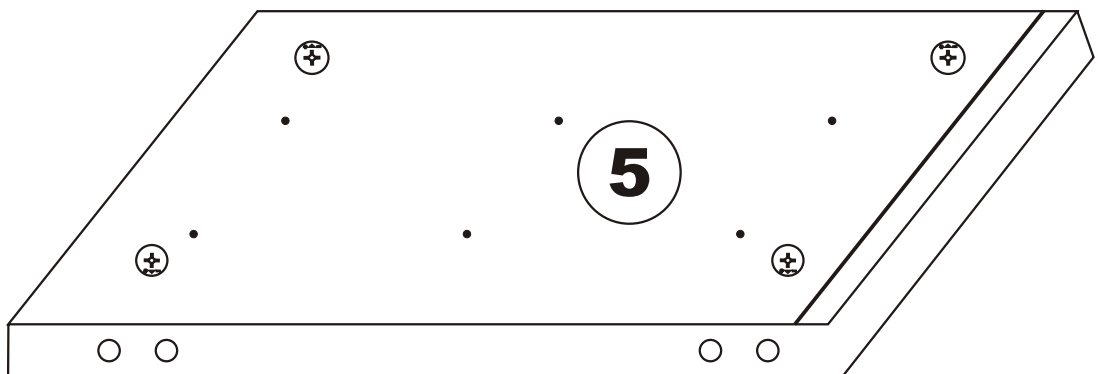
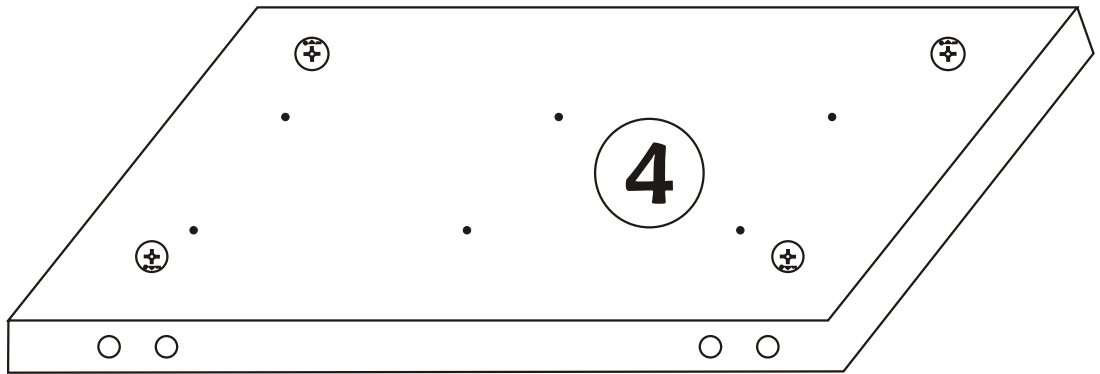
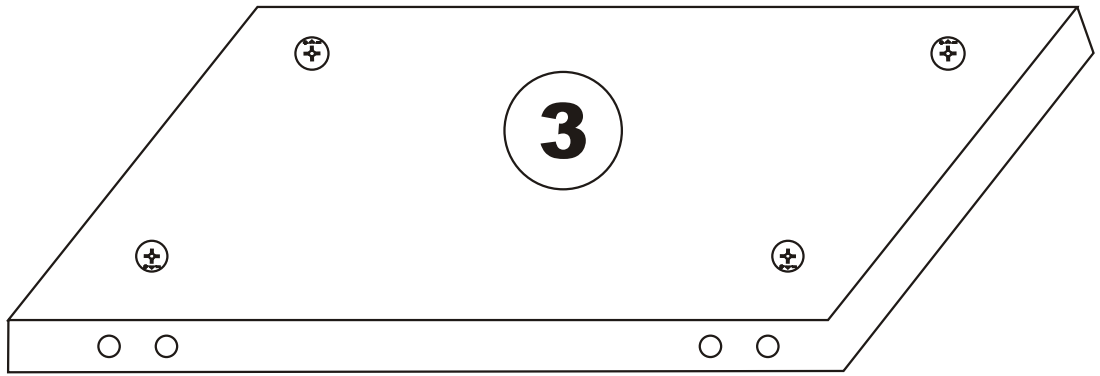
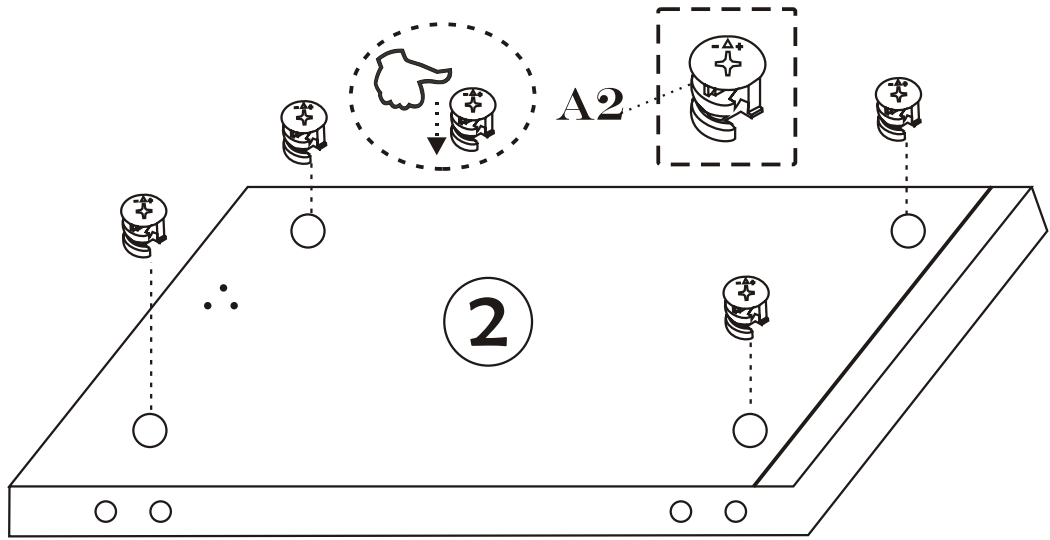
**For users over 40 kilograms,
to avoid any flexion, it is highly
recommended to assemble additional
leg into the center of the product .**



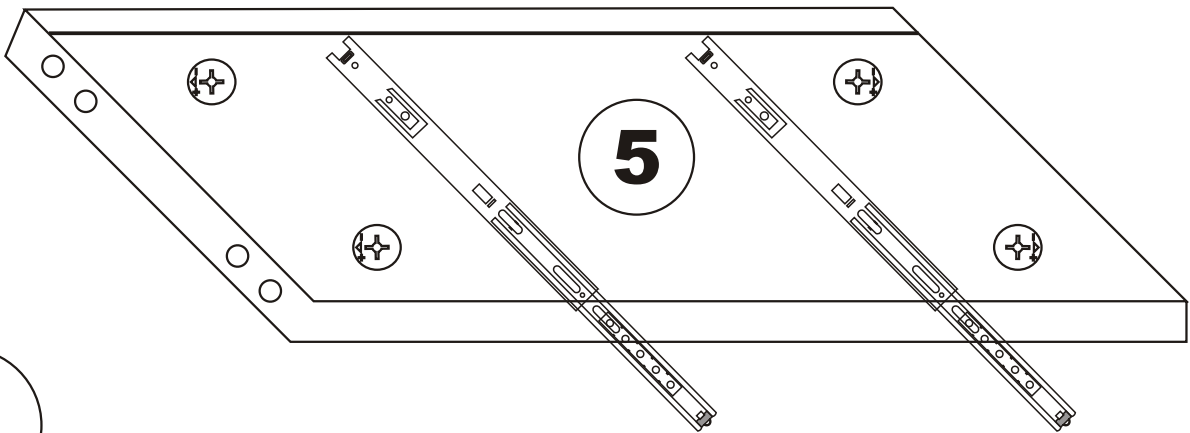
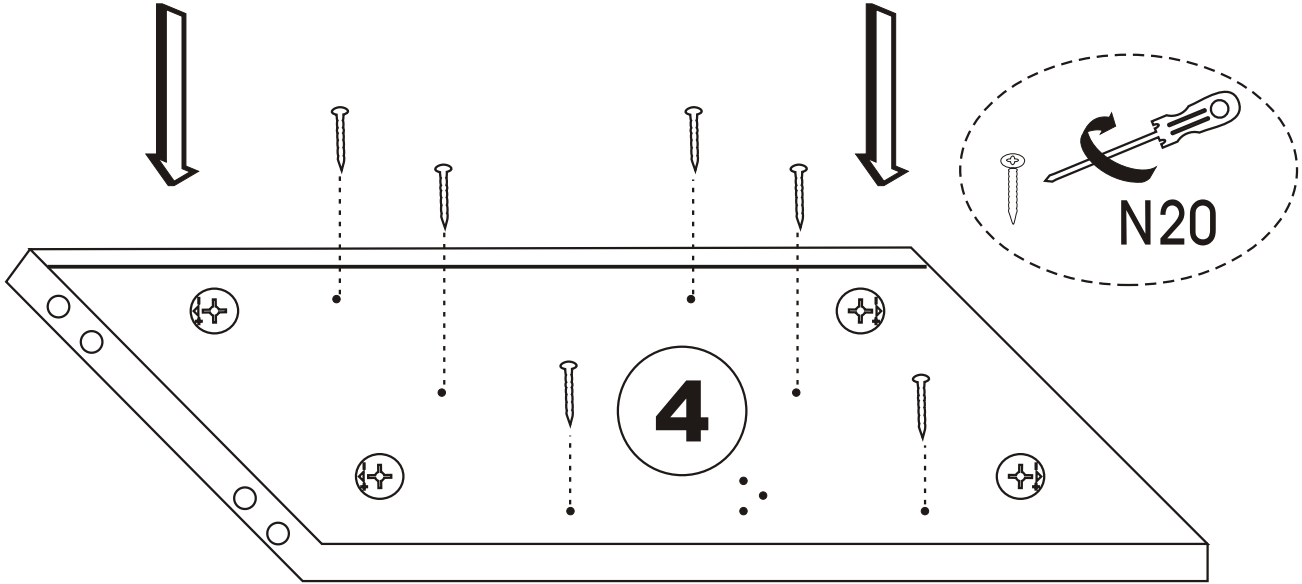
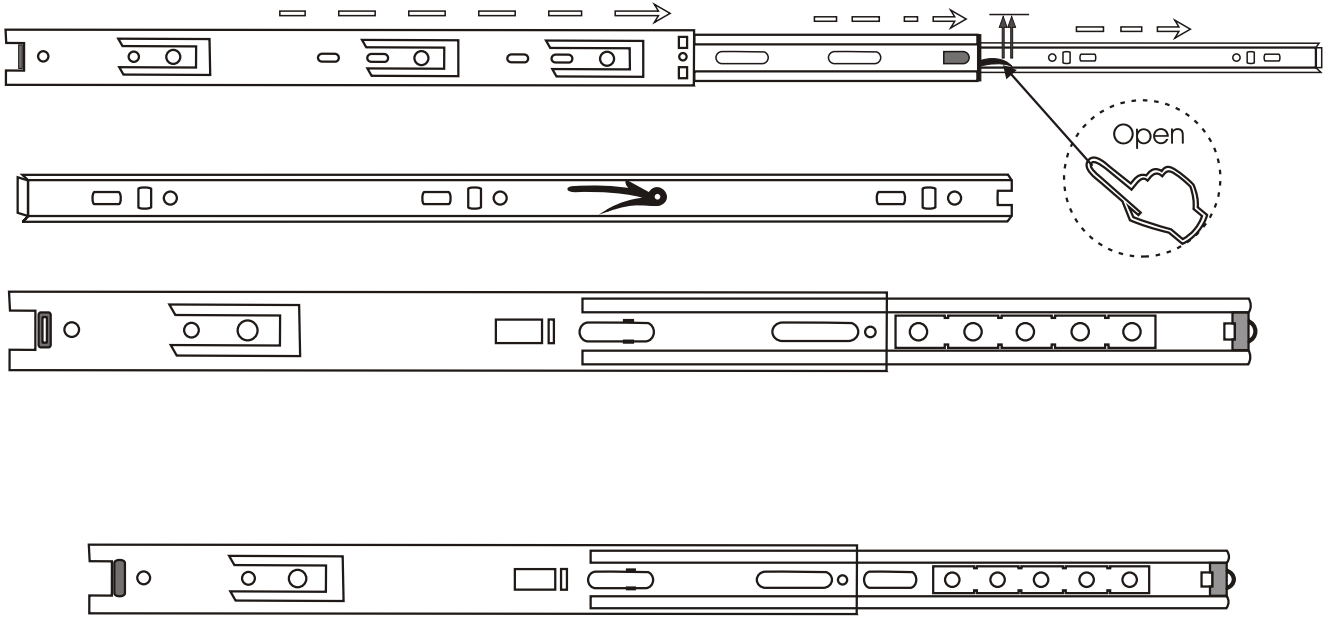
1



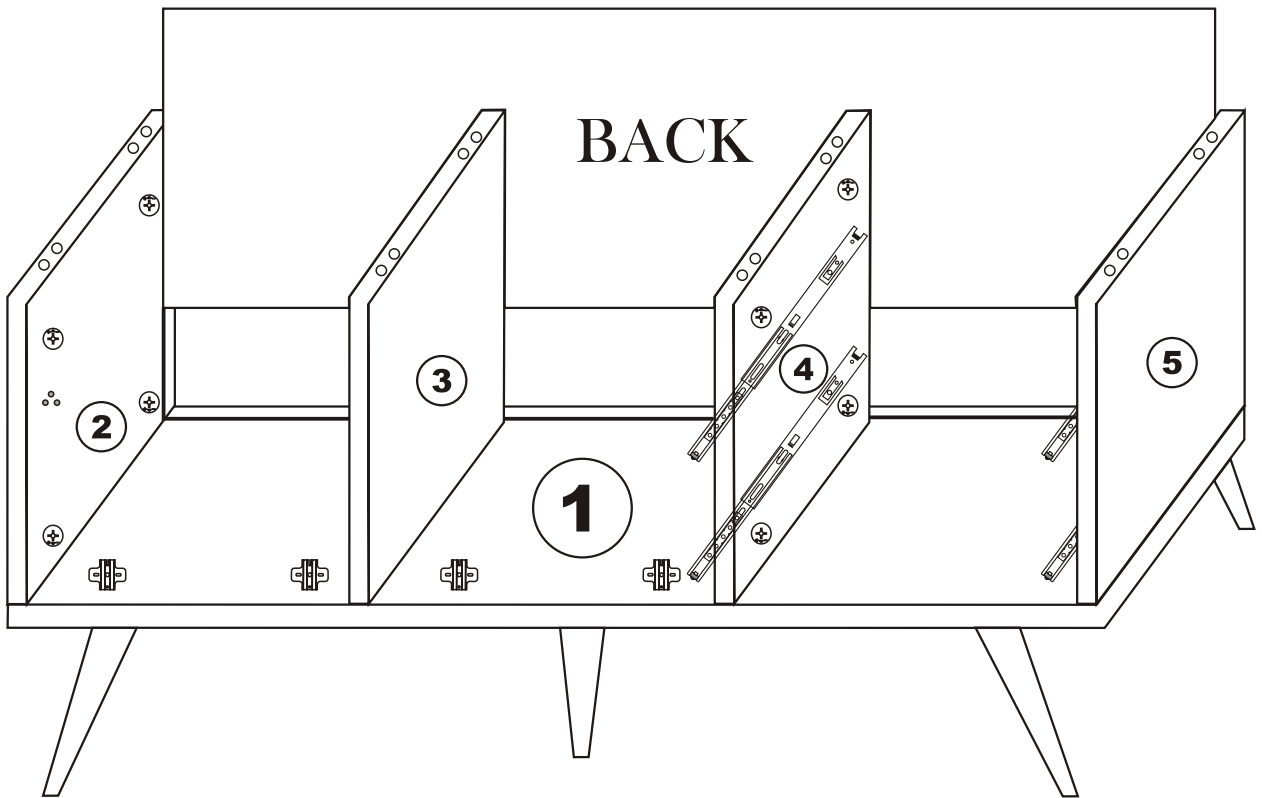
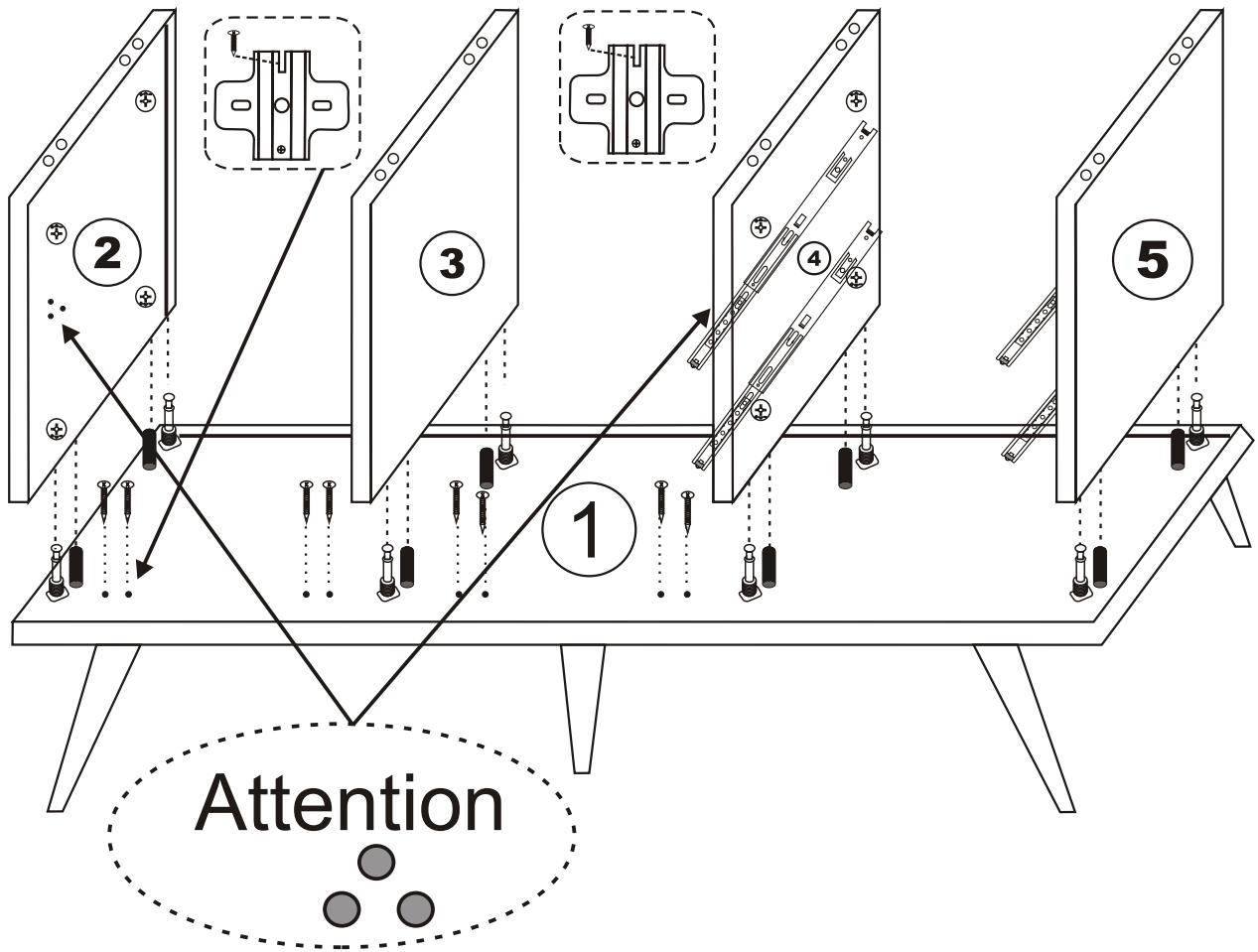
2



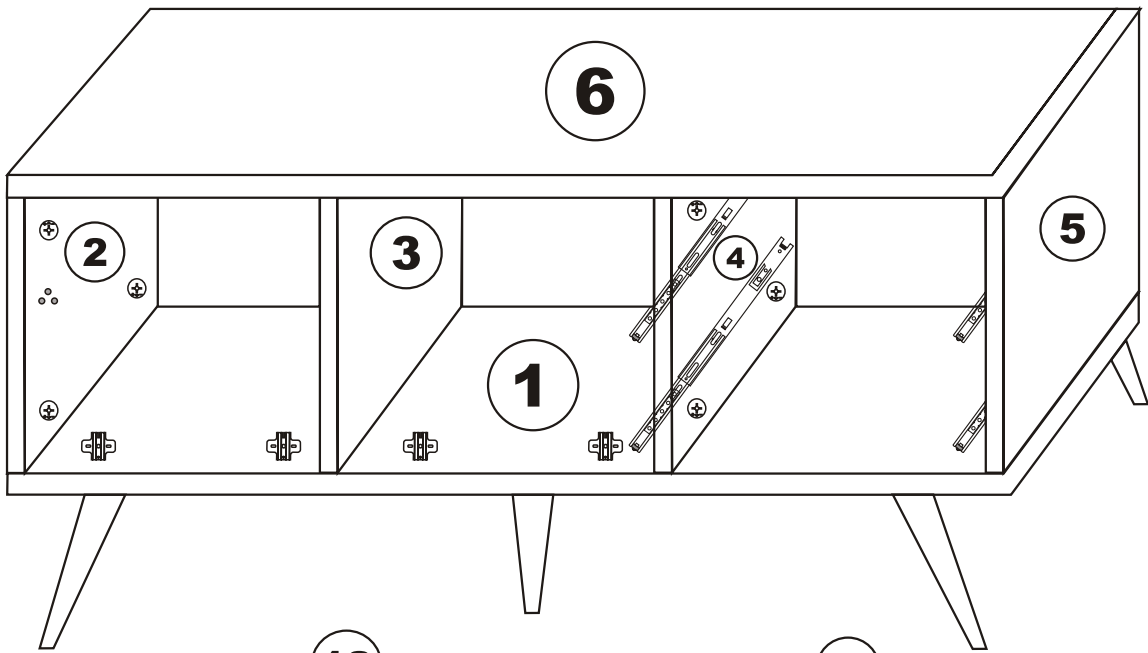
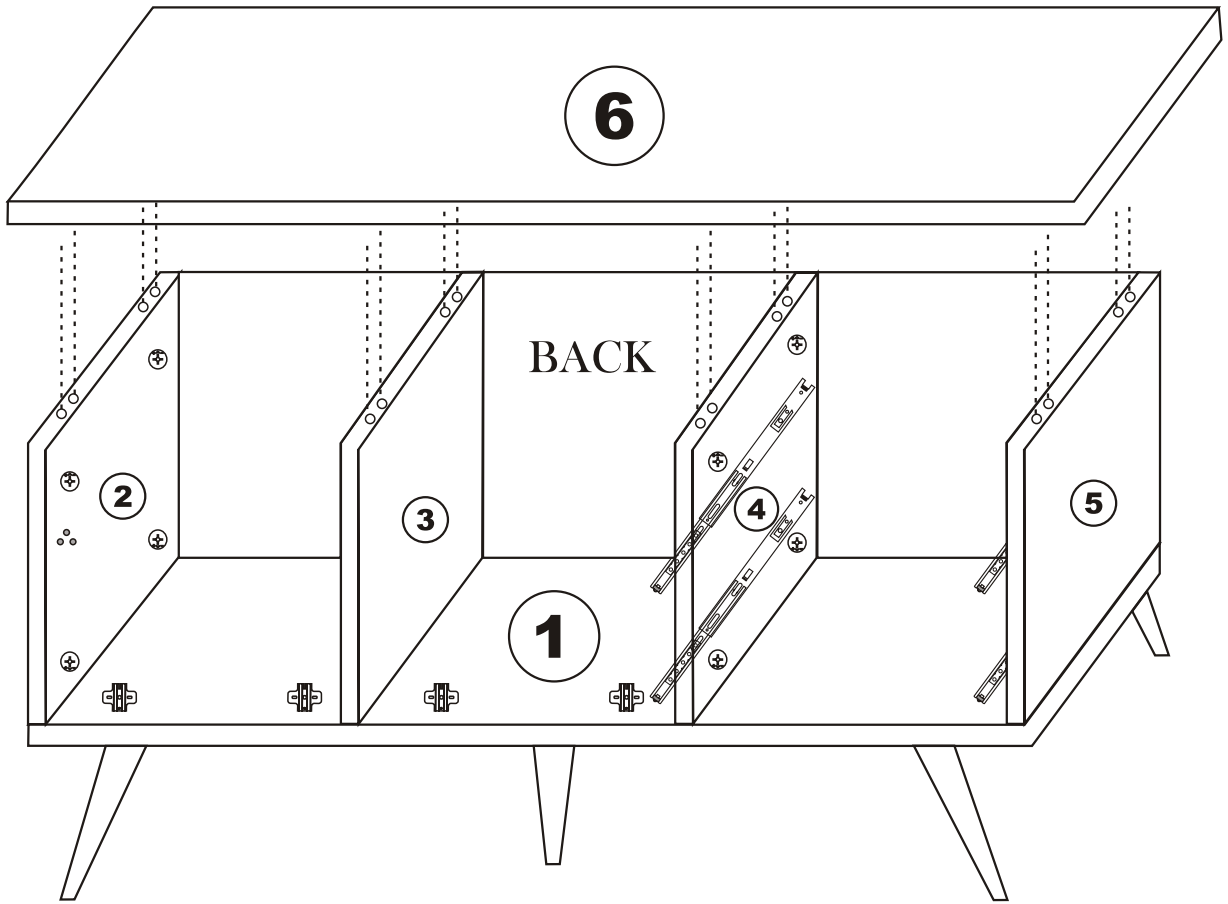
3



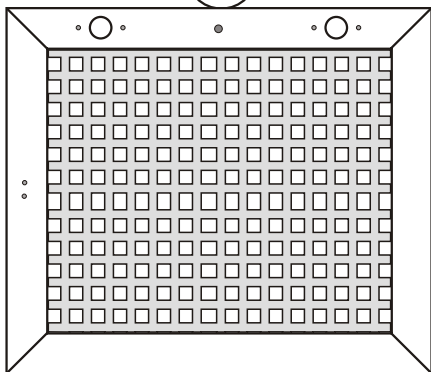
4



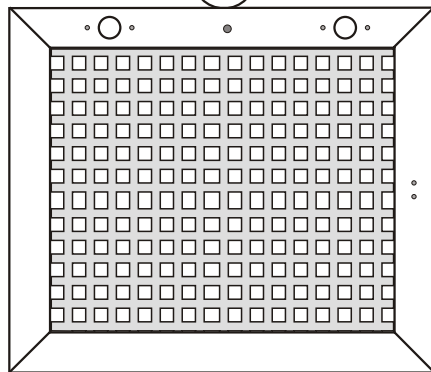
5



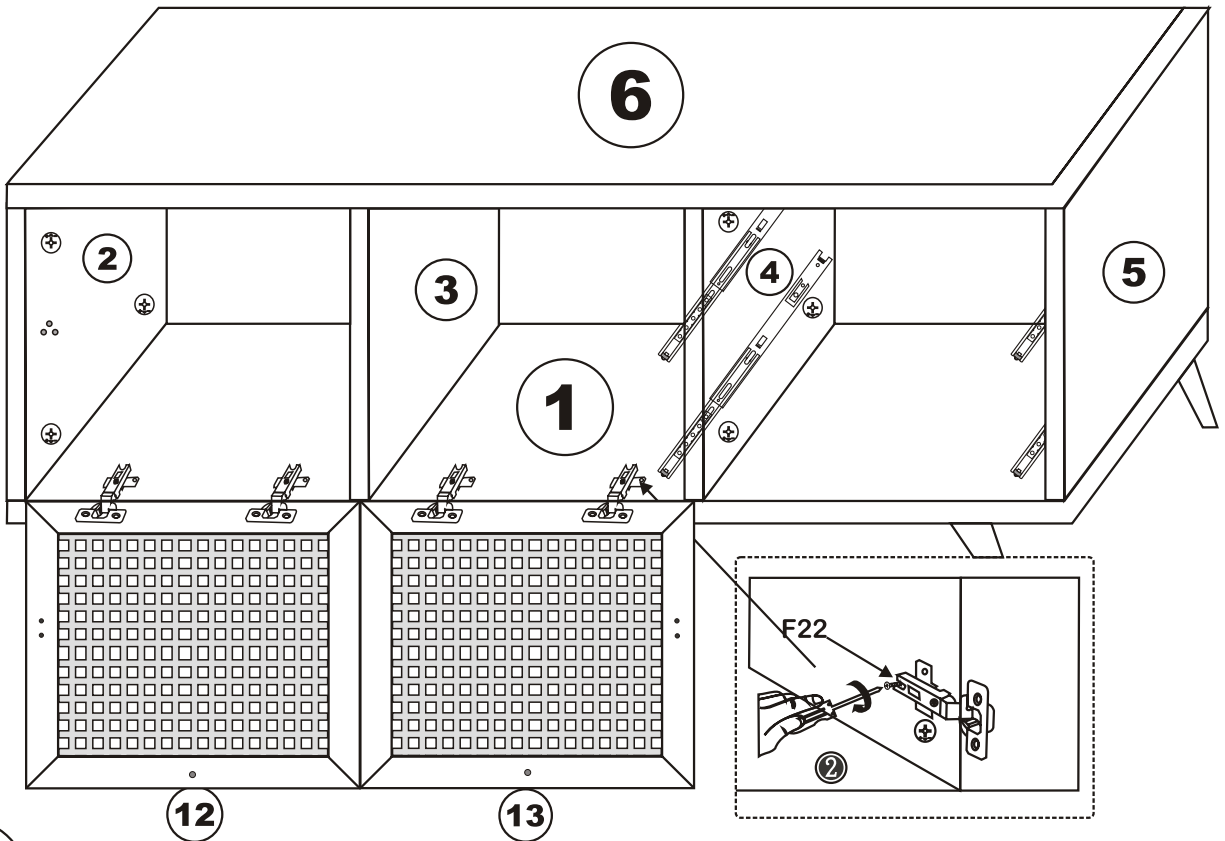
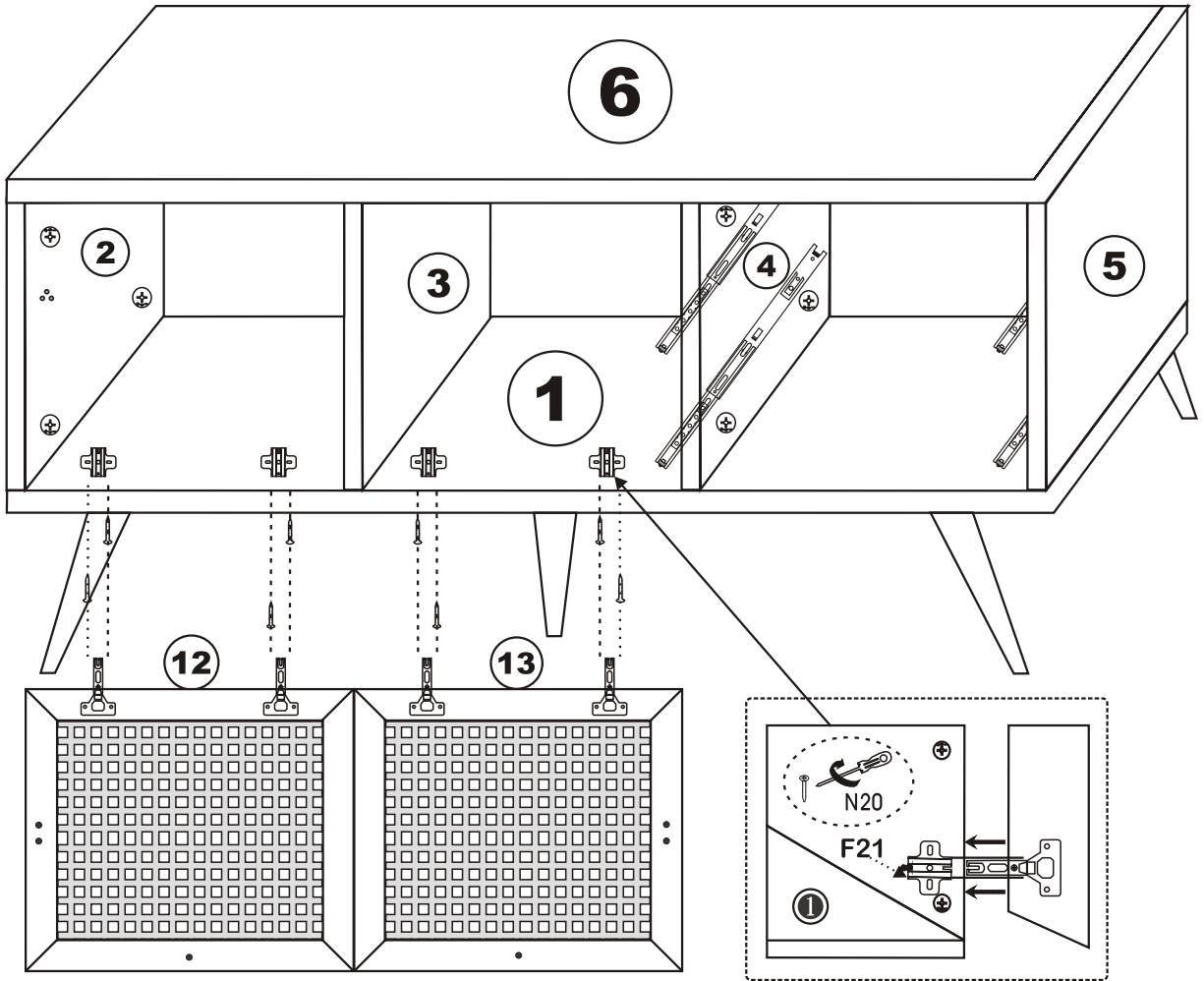
12



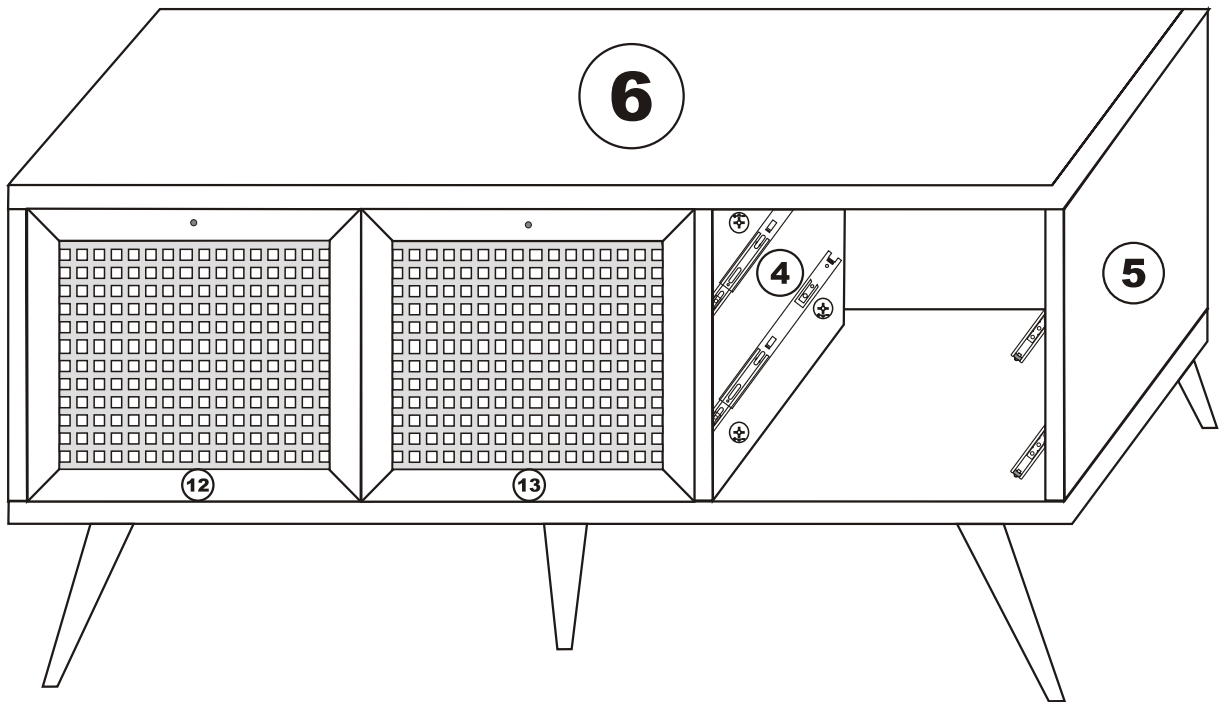
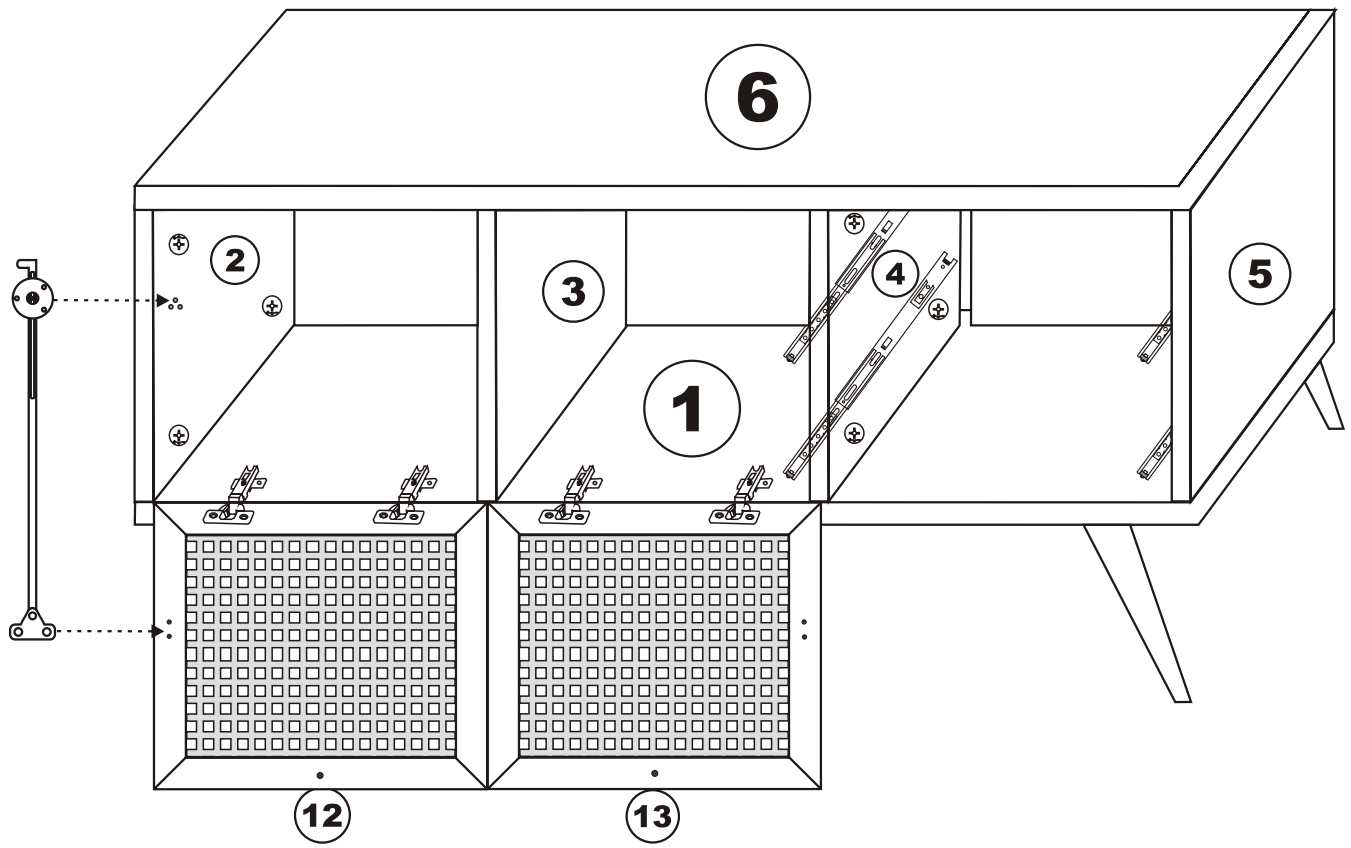
13



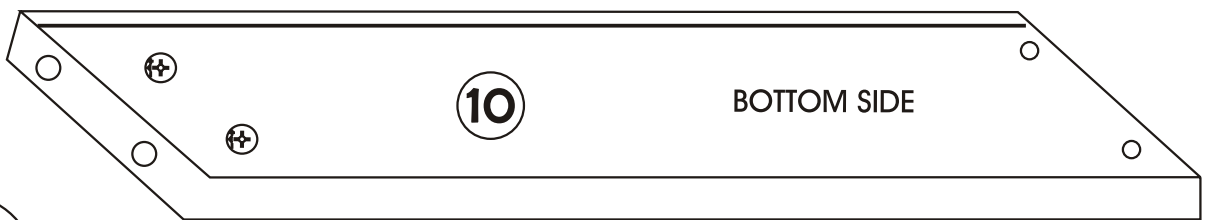
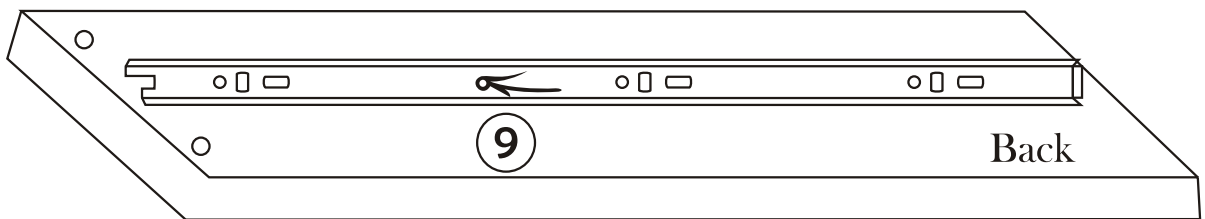
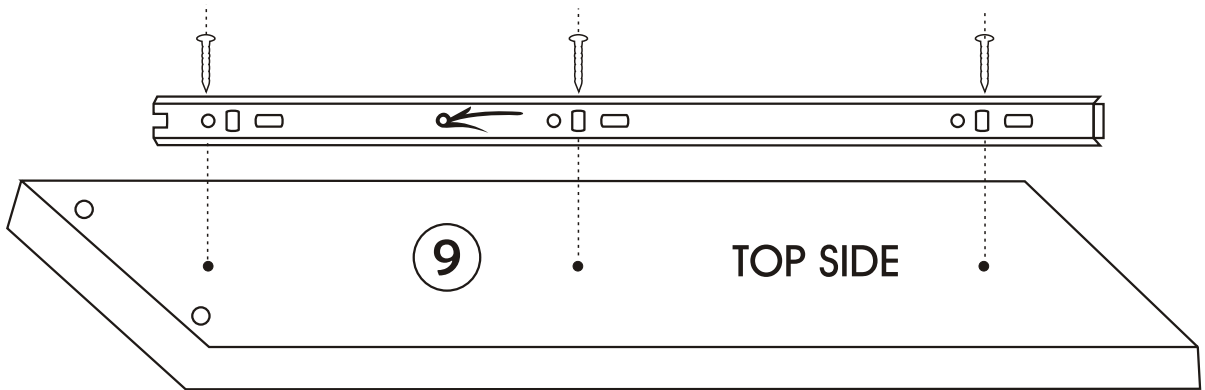
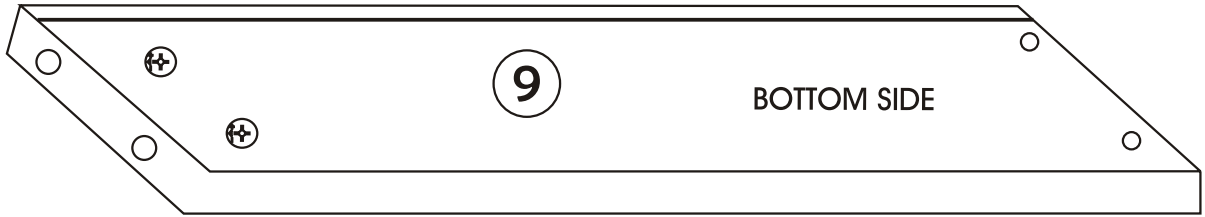
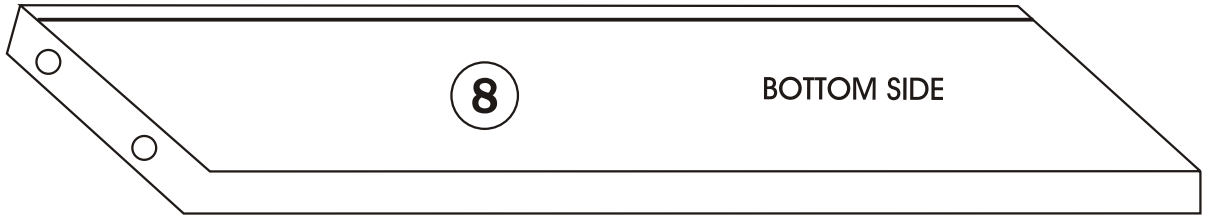
6



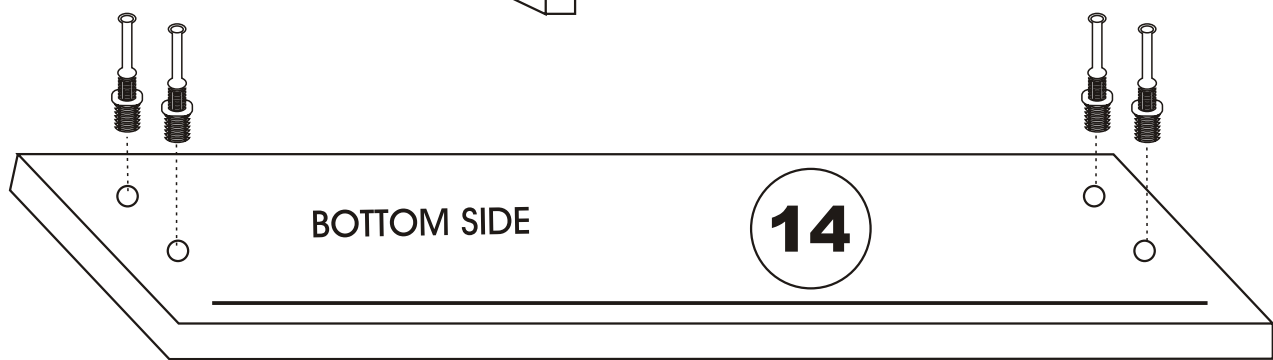
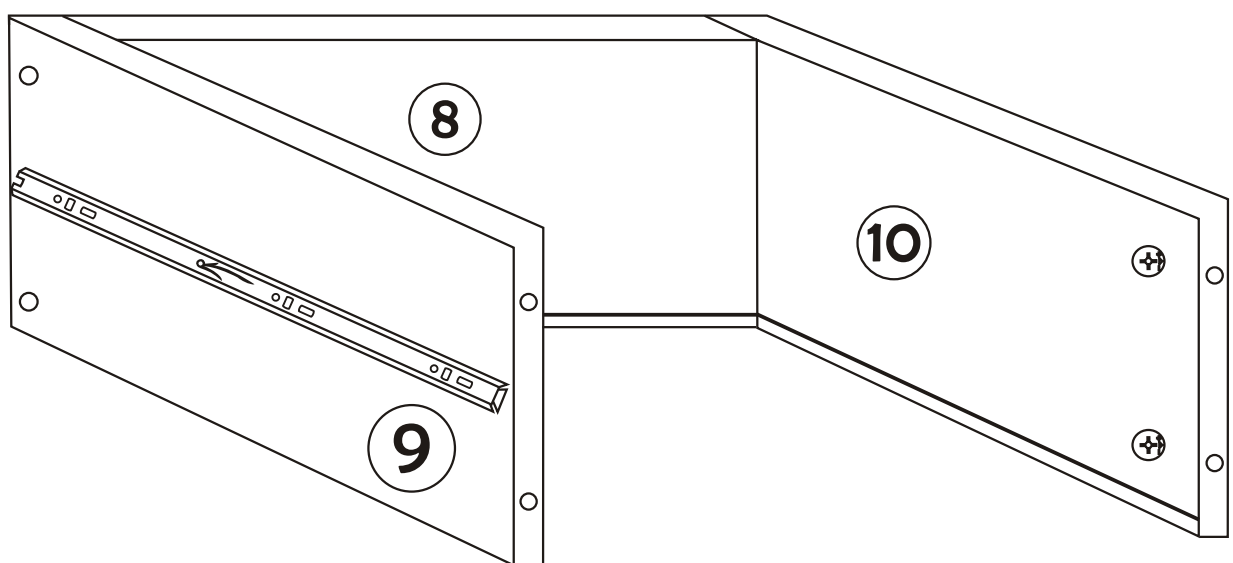
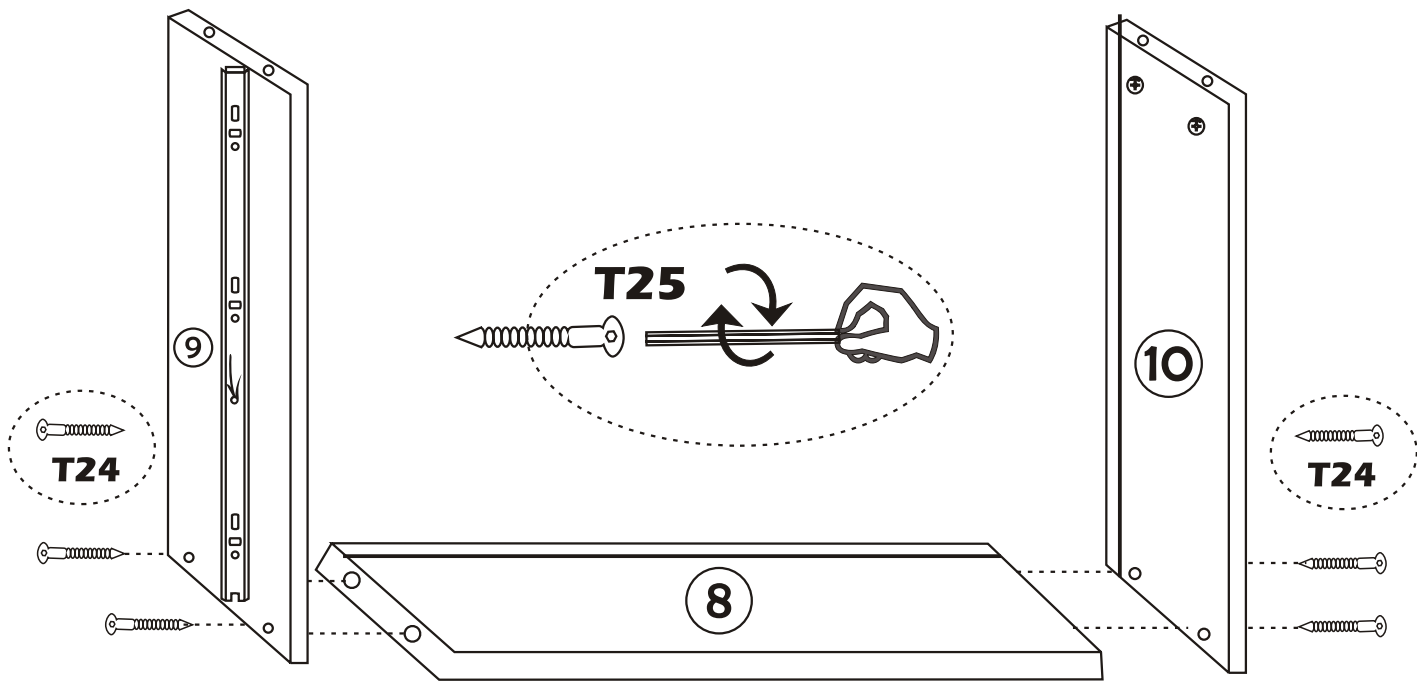
7



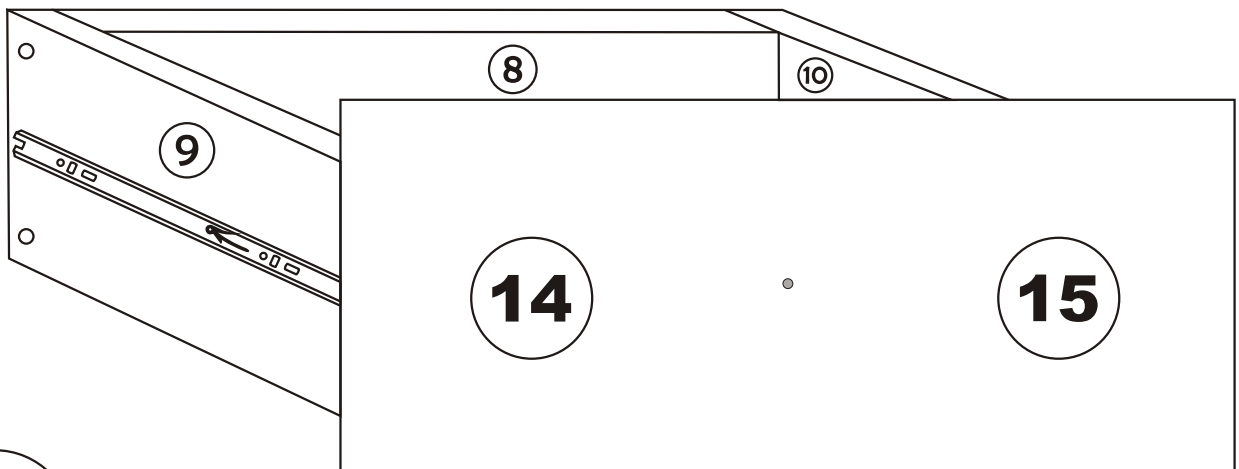
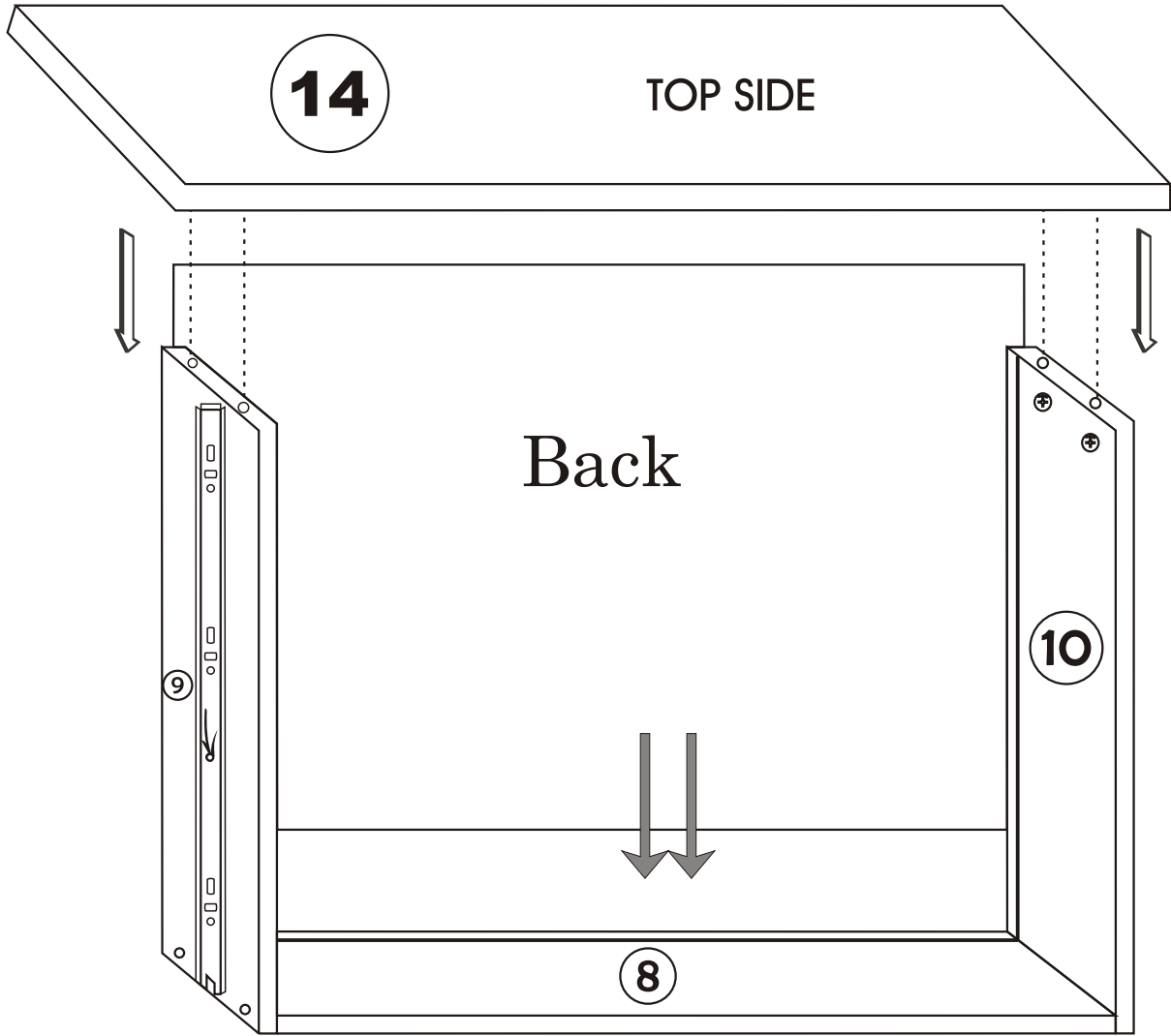
8



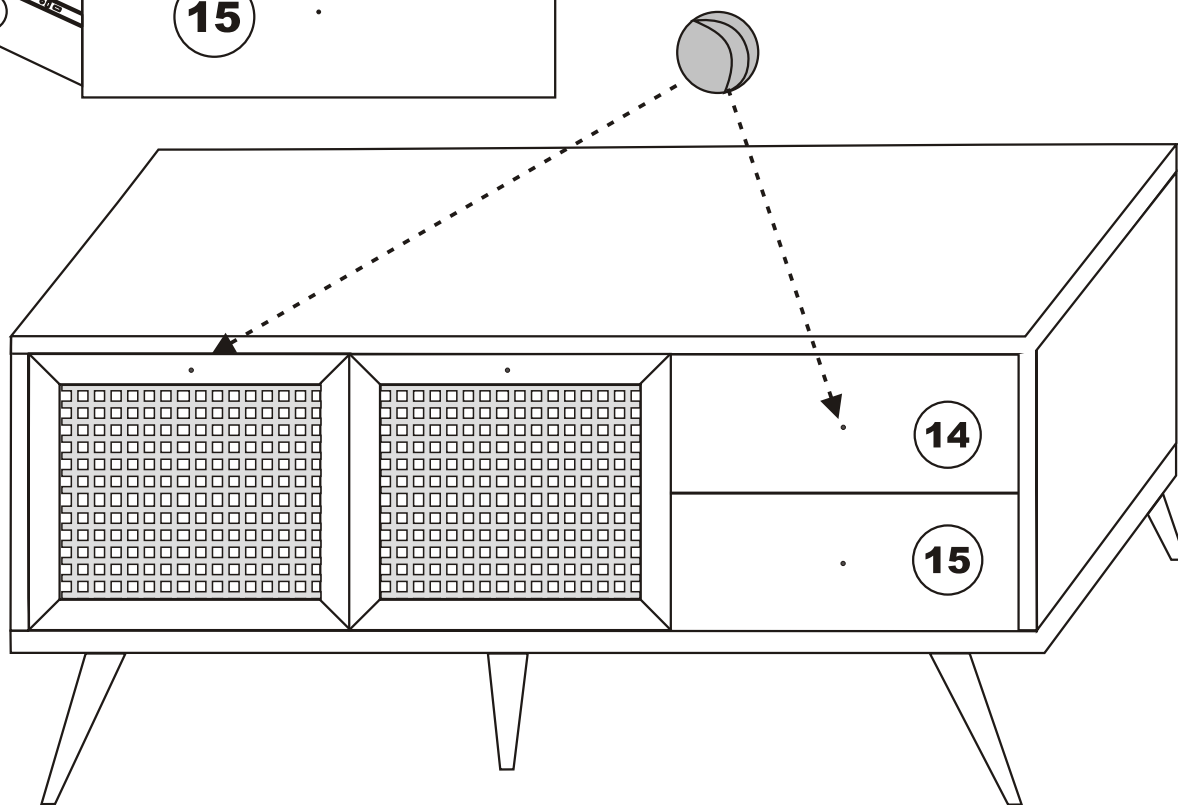
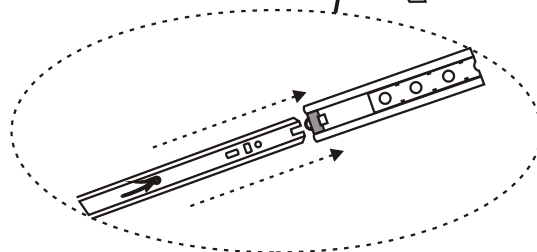
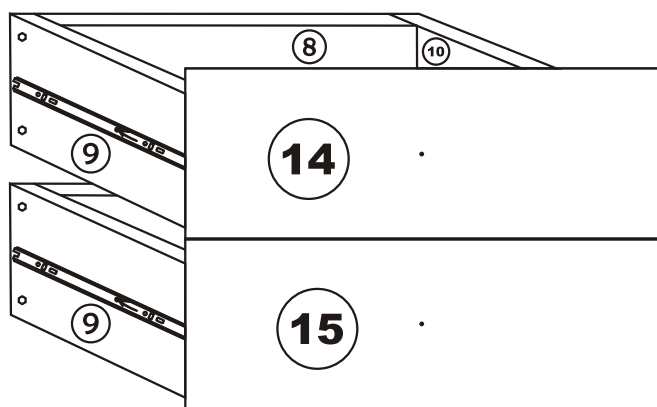
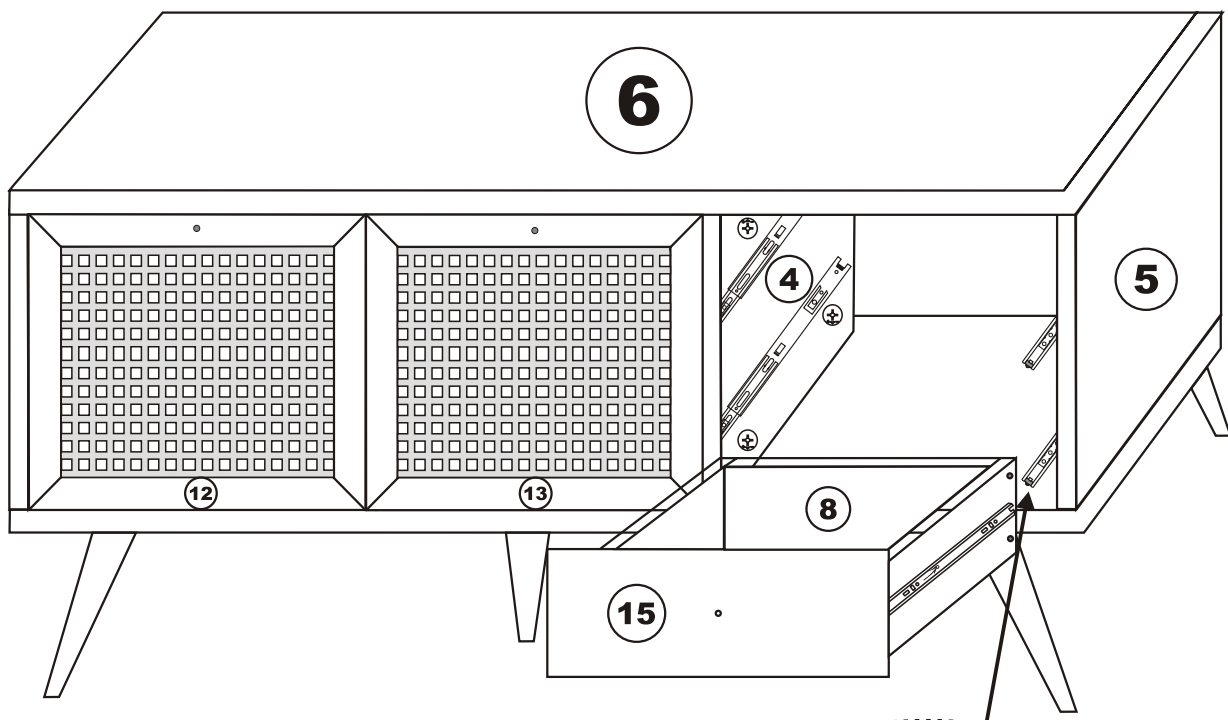
9



10



11



12