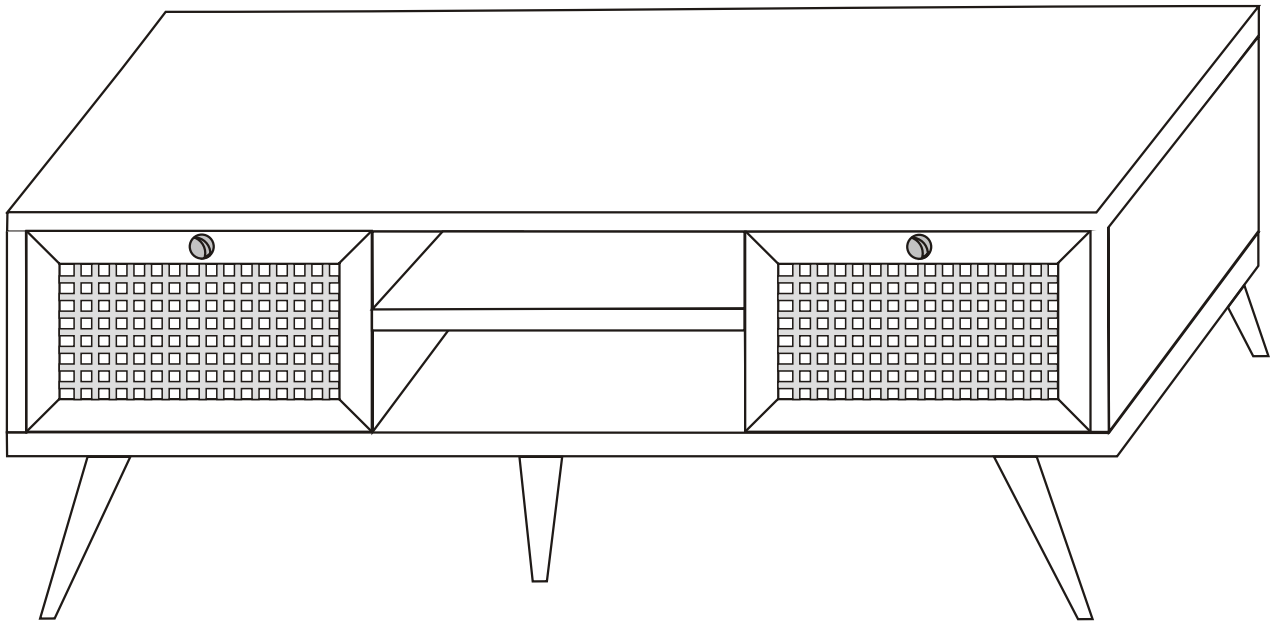


LETOON 180

Assembly Manual

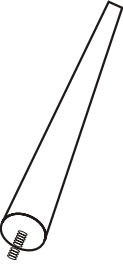


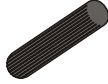
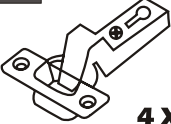
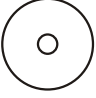



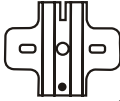

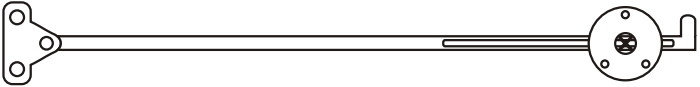


Kalune Design
Furniture

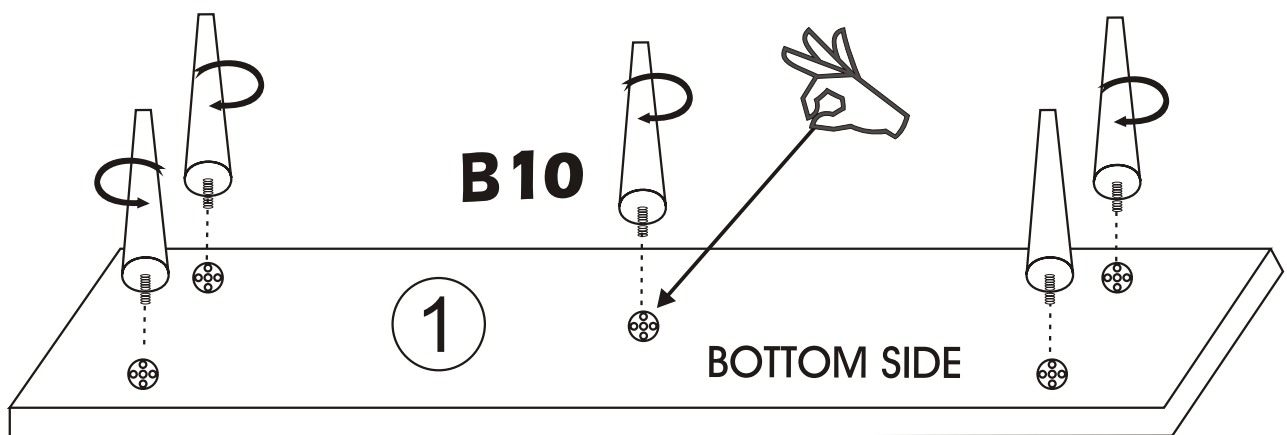
ATTENTION !! **LETOON 180**

Minifix is the main connection material used in Decortile products ,
Before starting assembly , Please check the drawings below

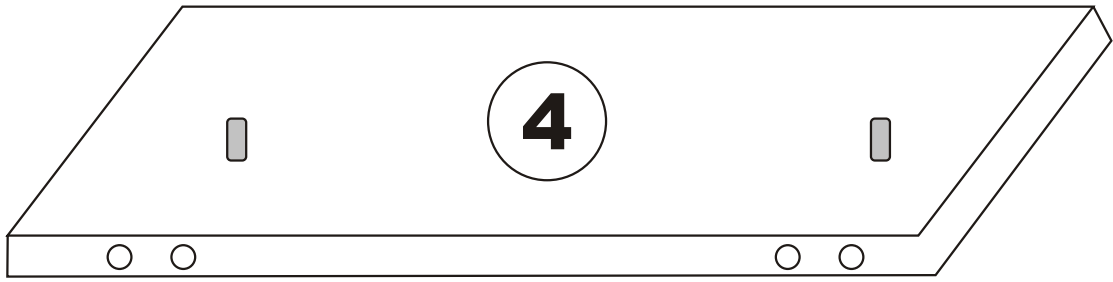
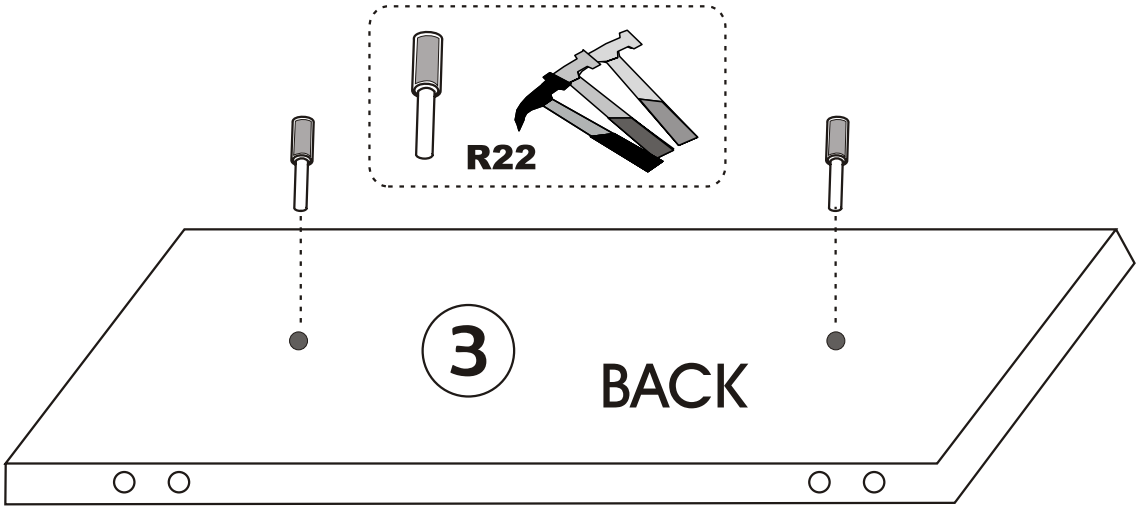
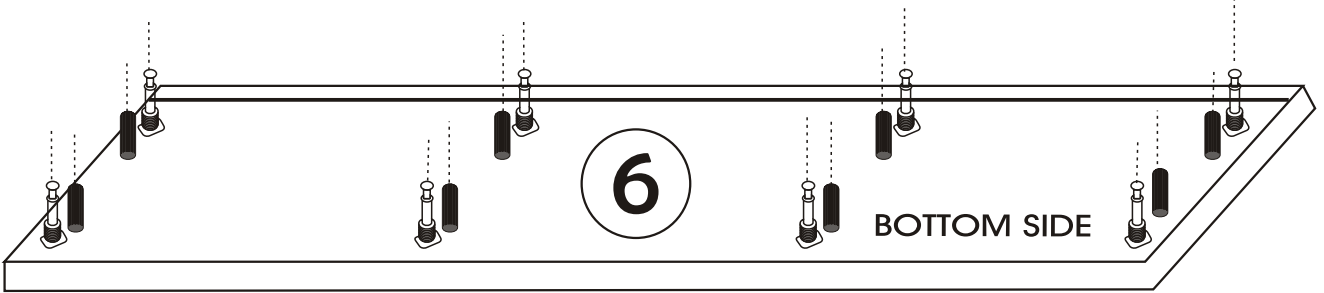
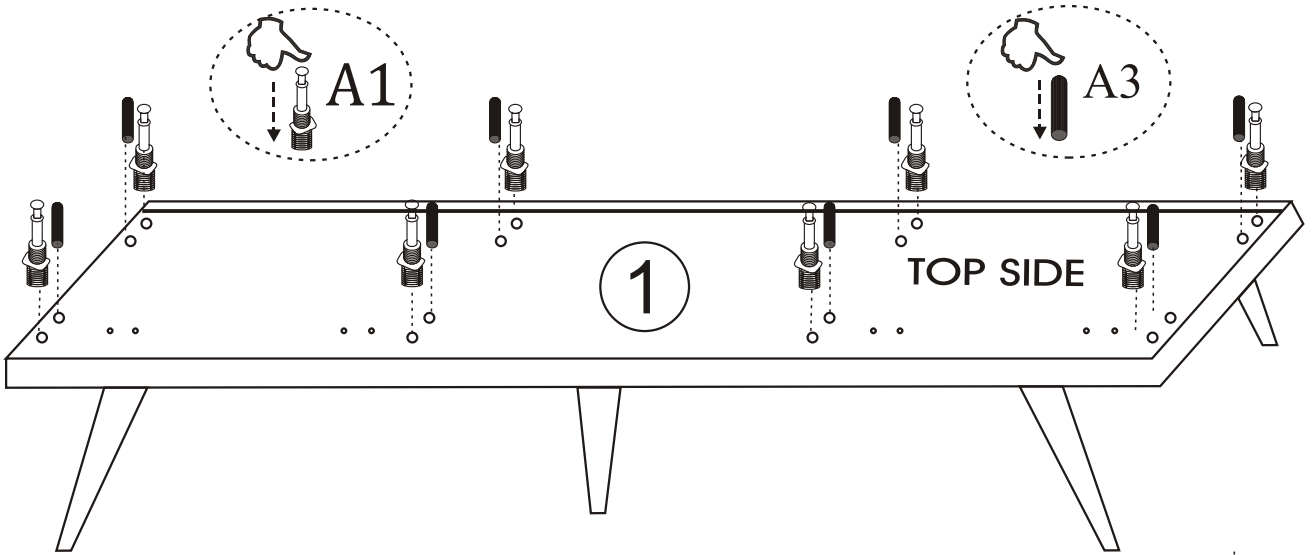
Accessory List

B10  5X	A1 Minifix  16X	A2 Minifix  16X	A3  16X	C8  4X	
N20 3,5x18  16X	C9  2X	 2X	C7  4X	R22  4X	
 2X				GENERAL VIEW	

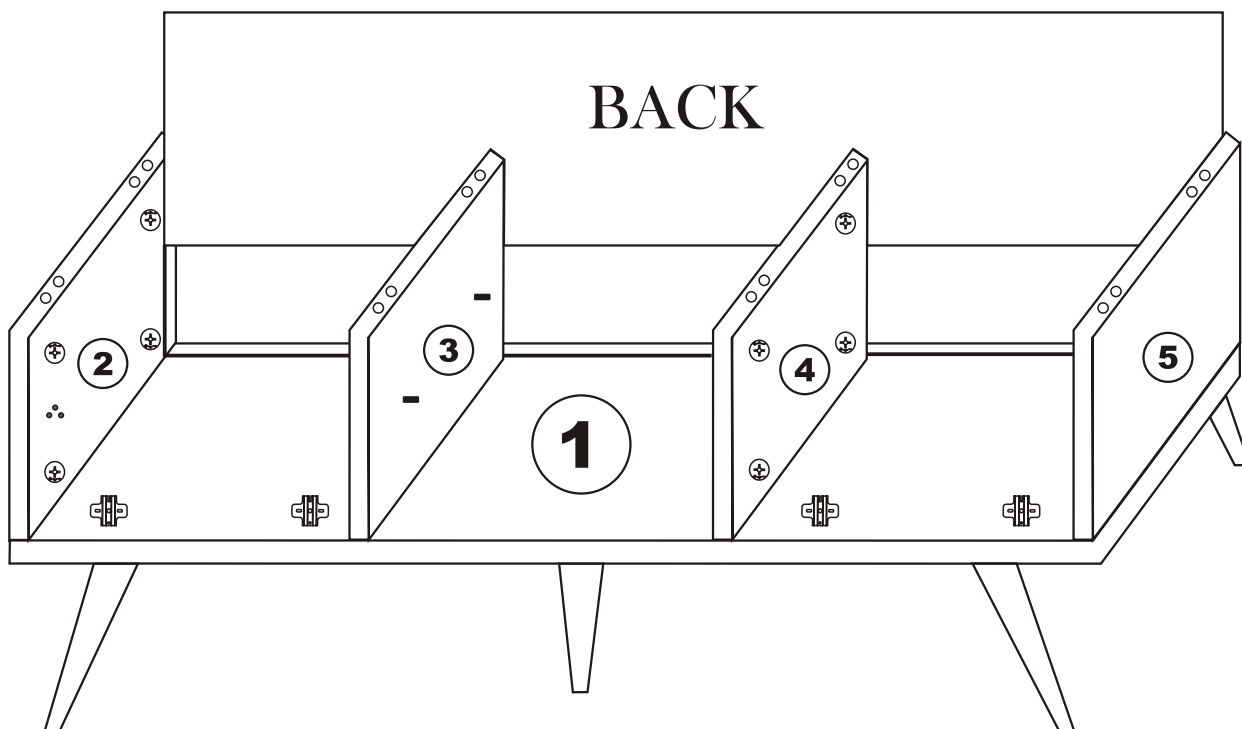
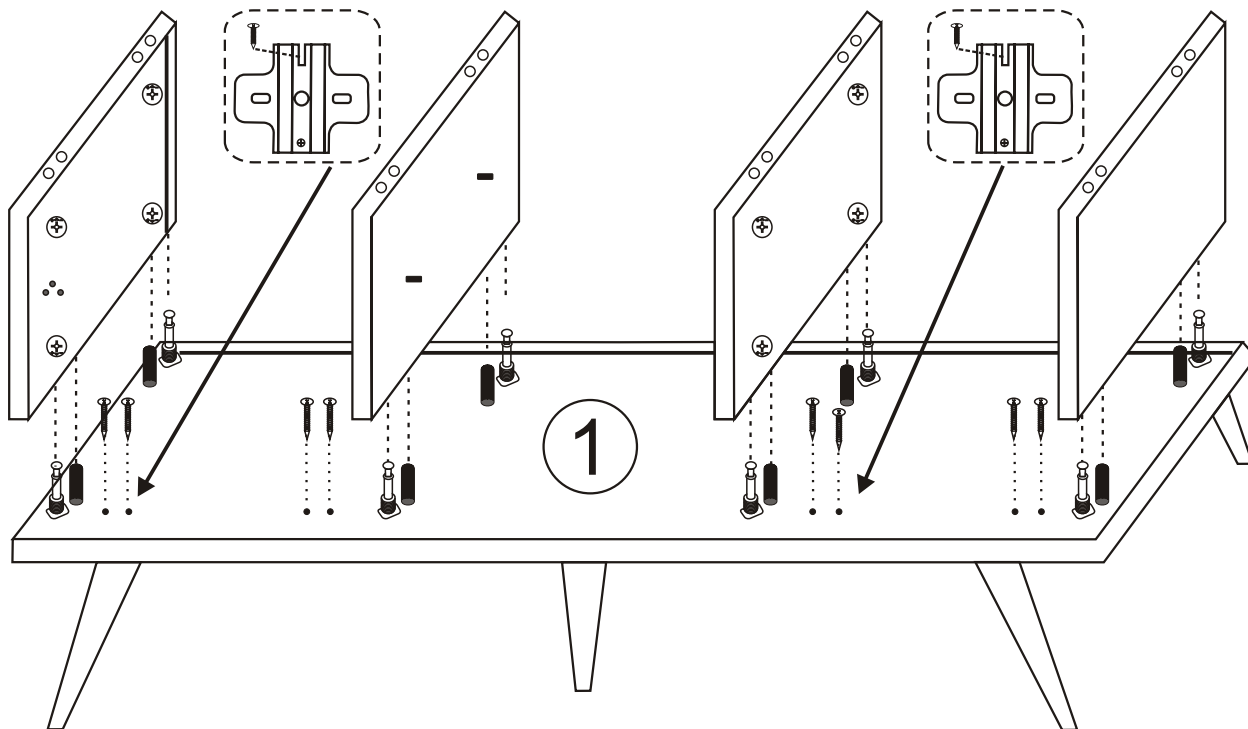
**For users over 40 kilograms,
to avoid any flexion, it is highly
recommended to assemble additional
leg into the center of the product .**



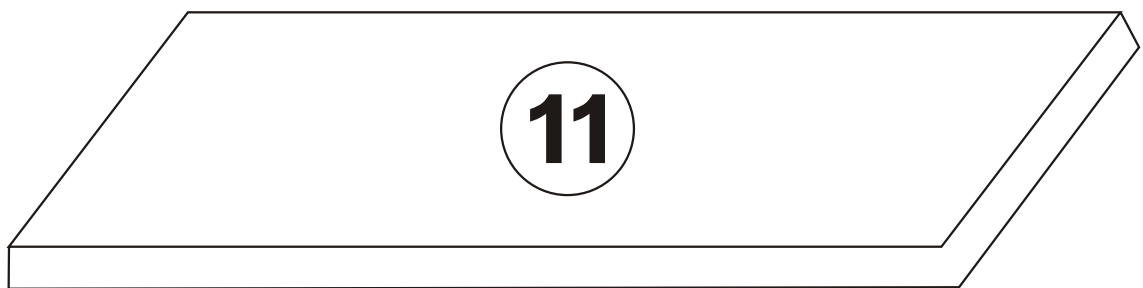
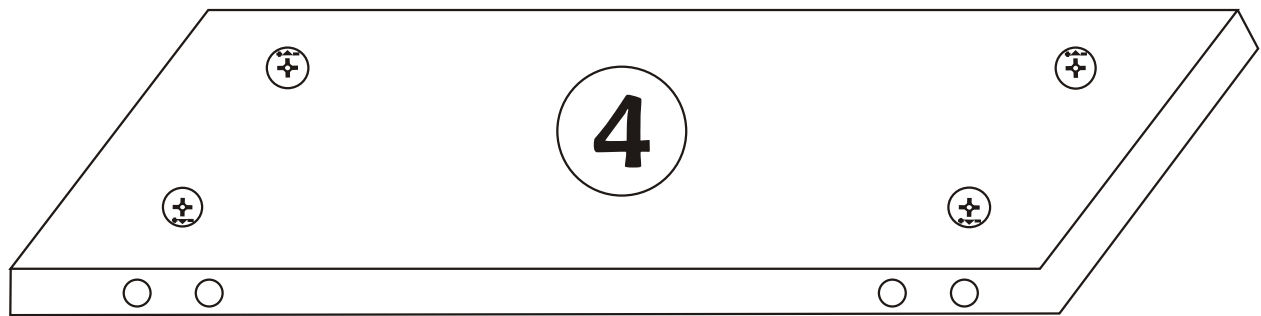
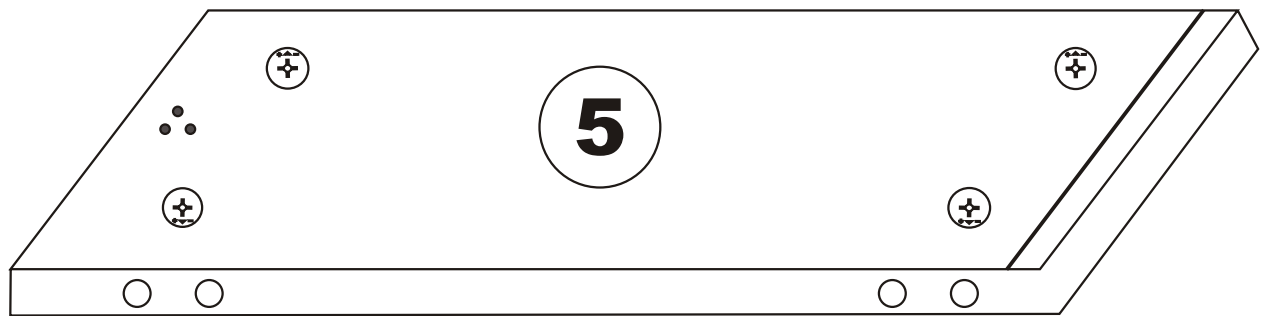
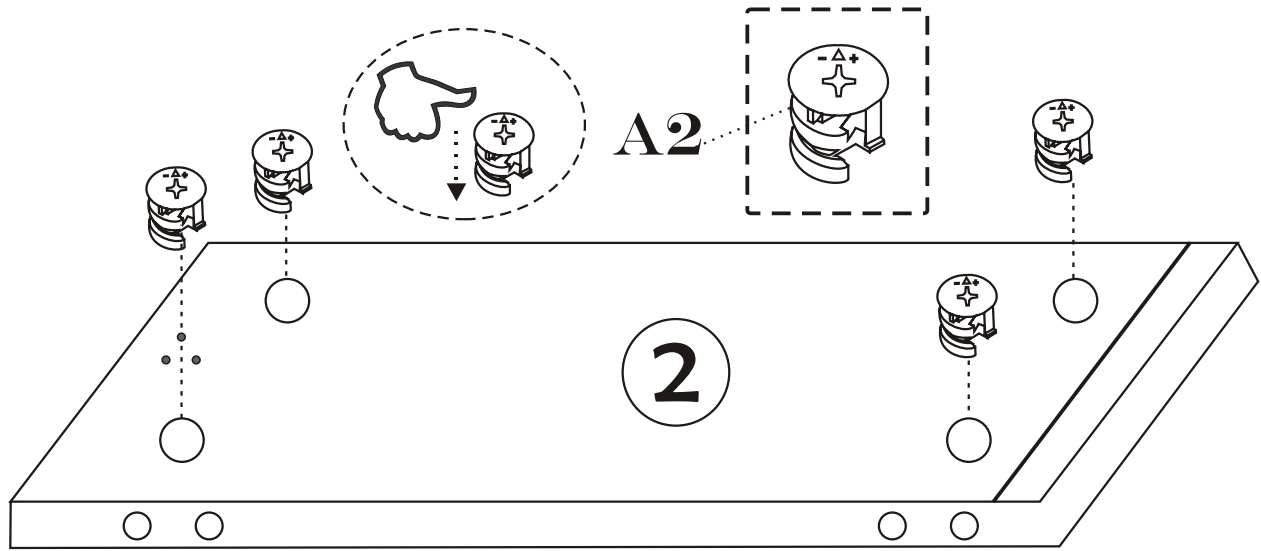
1



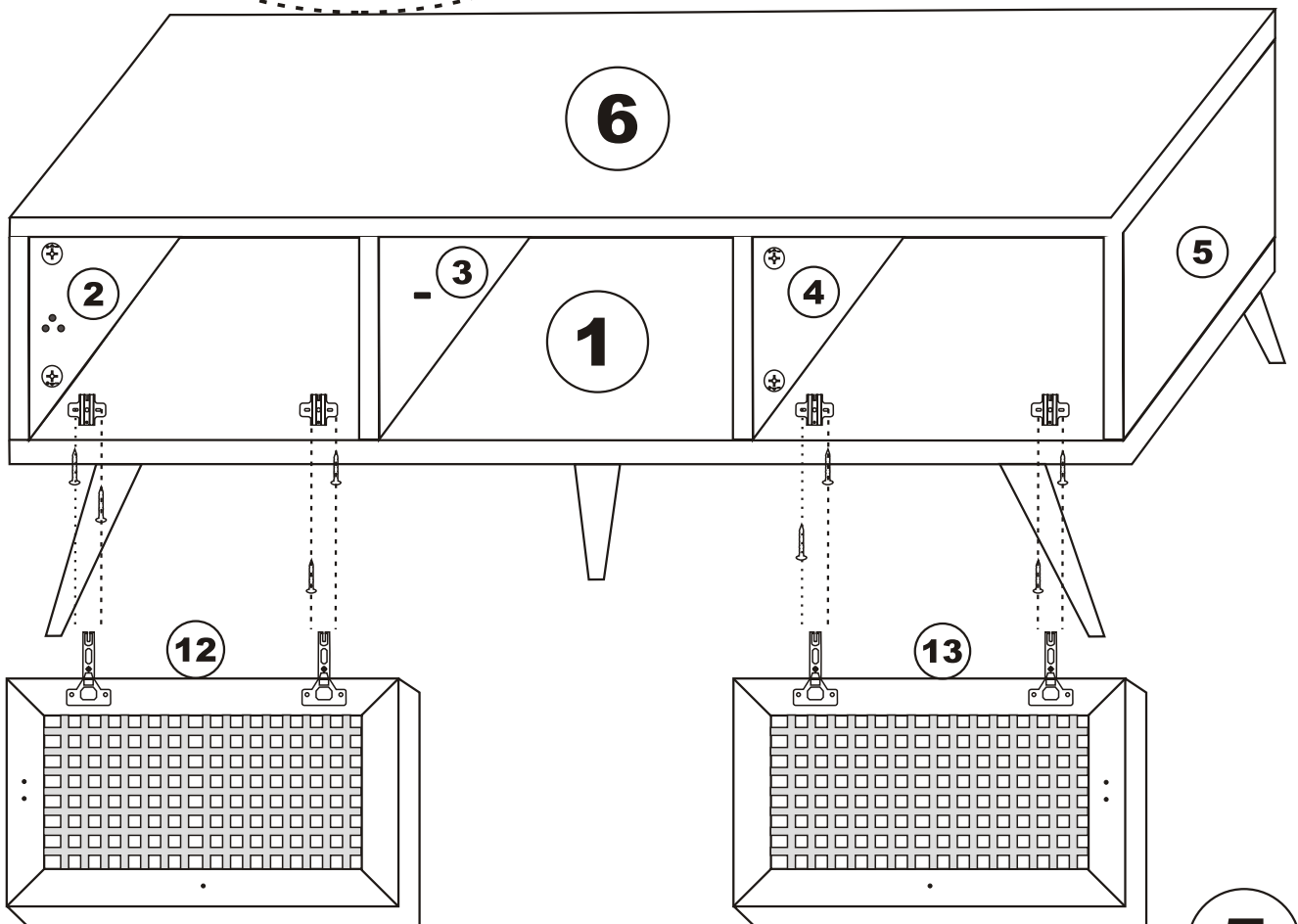
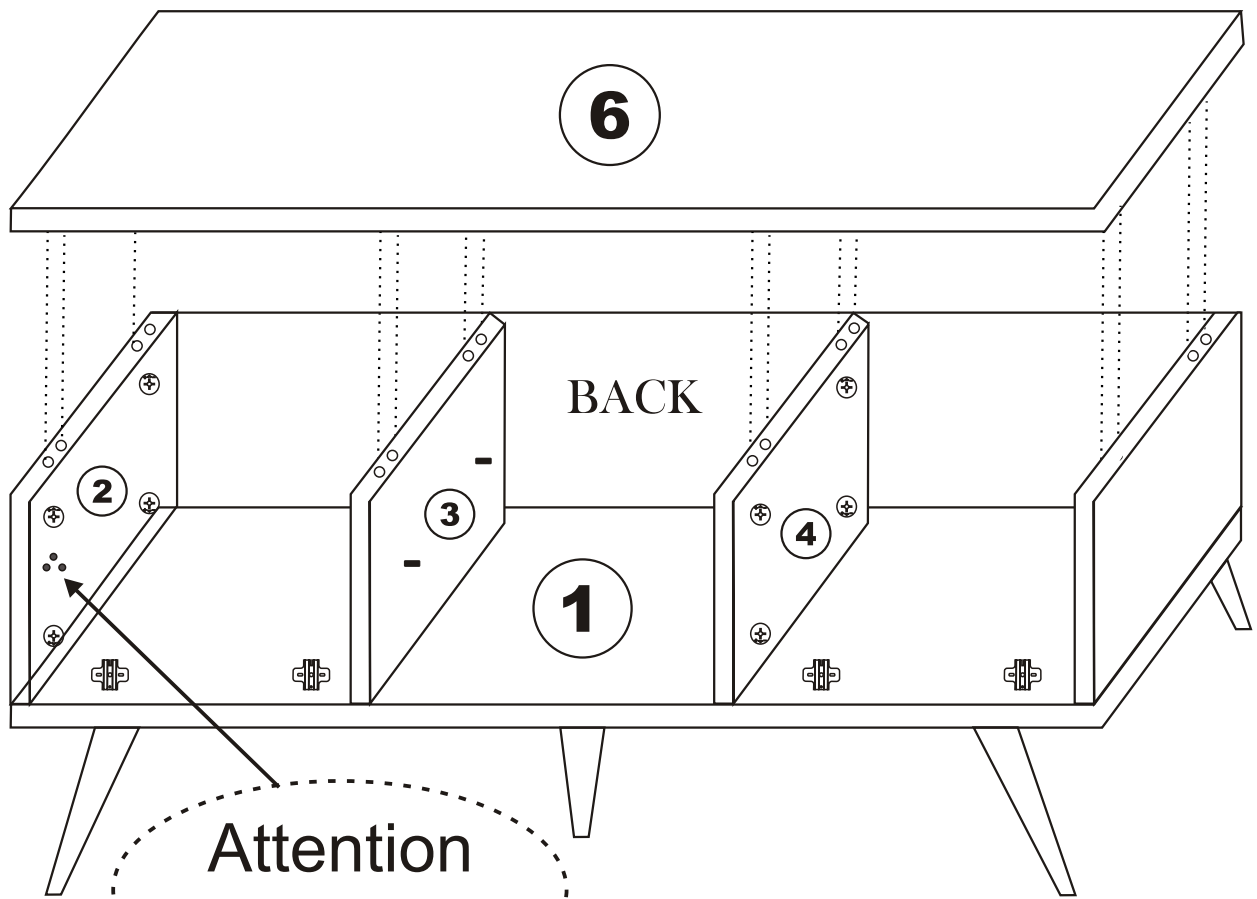
2



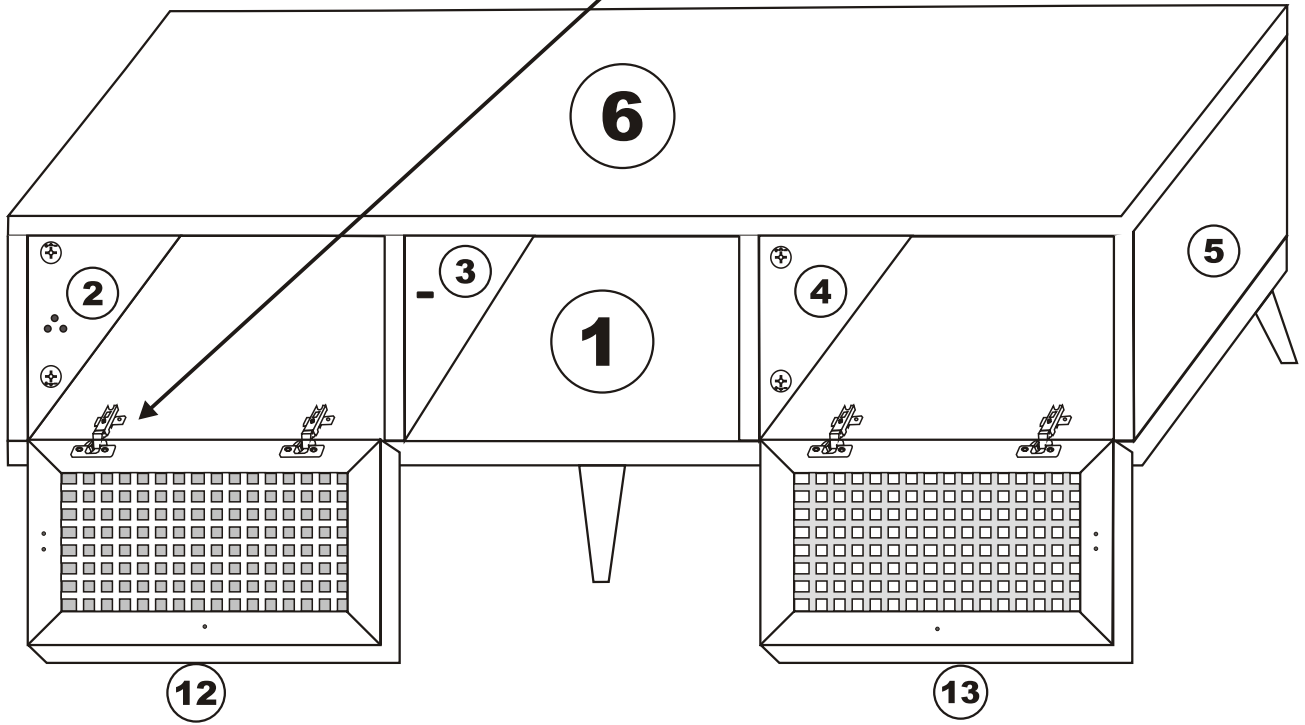
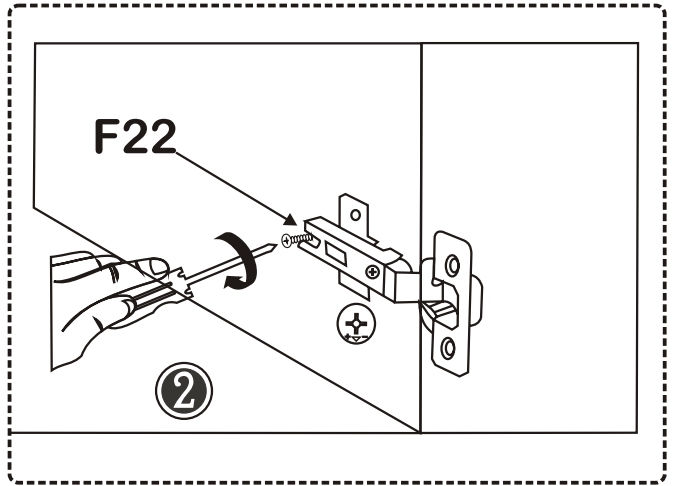
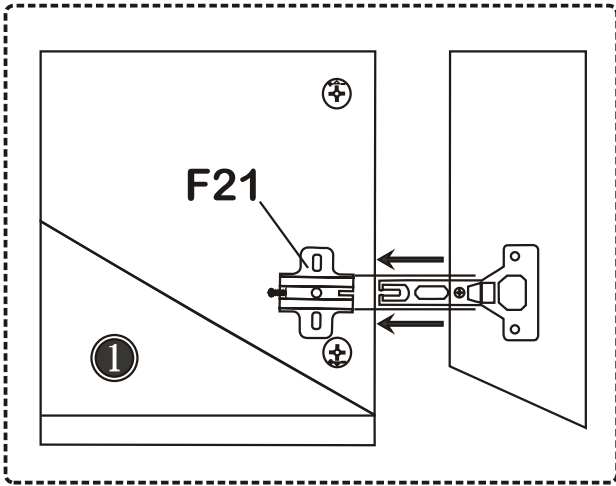
4



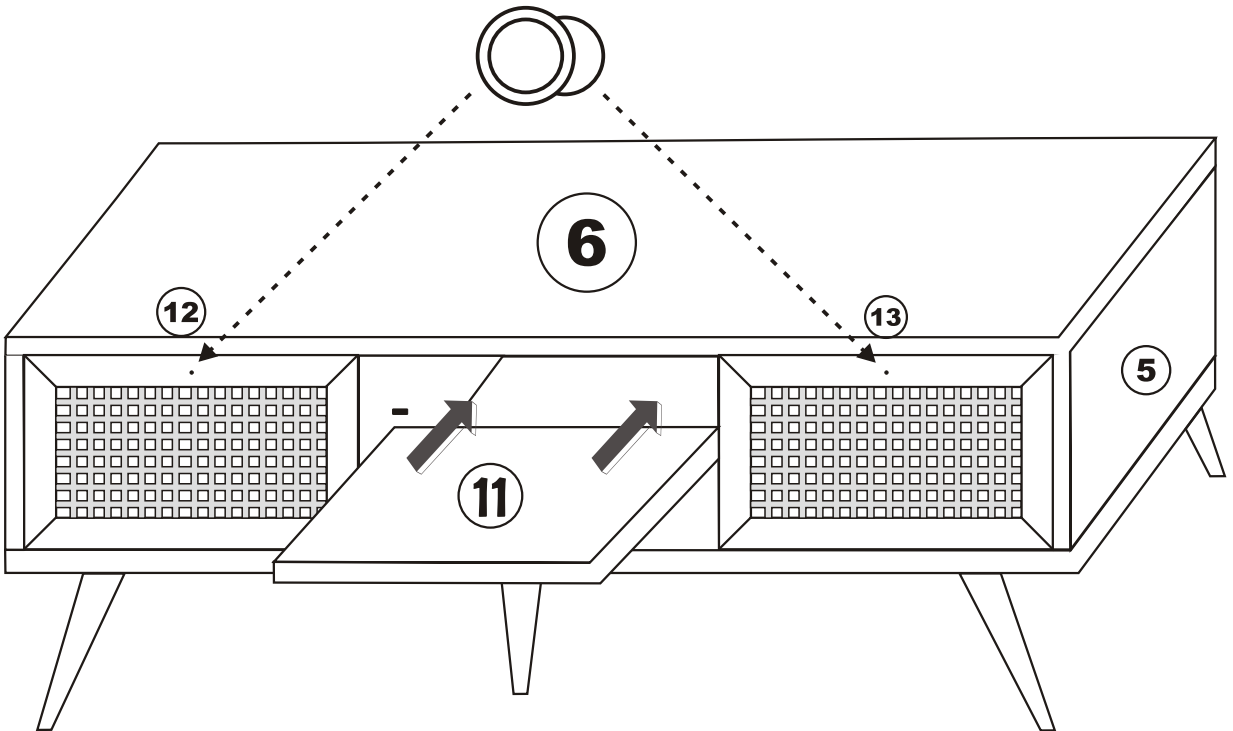
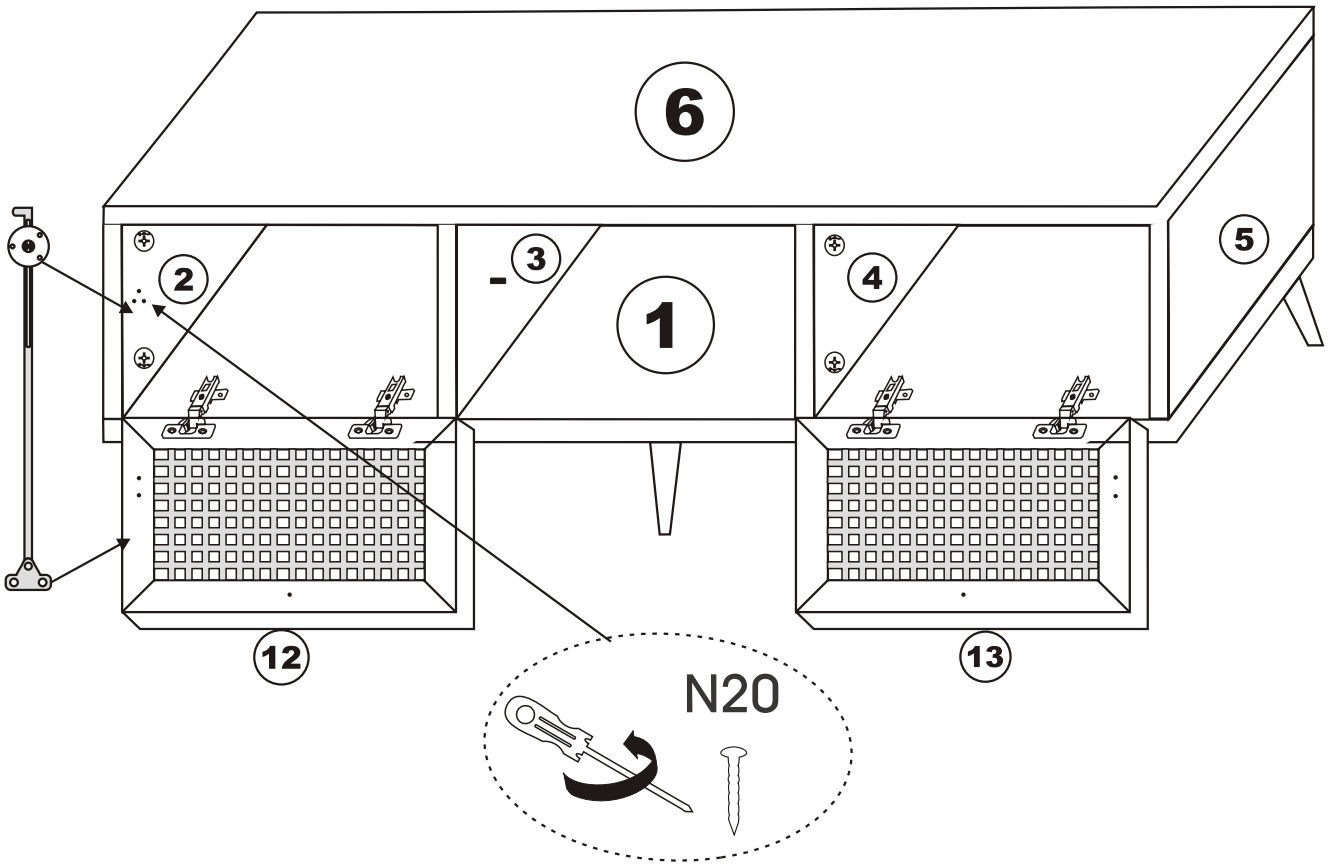
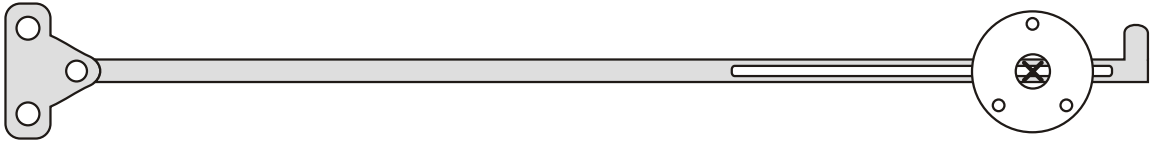
3



5



6



7