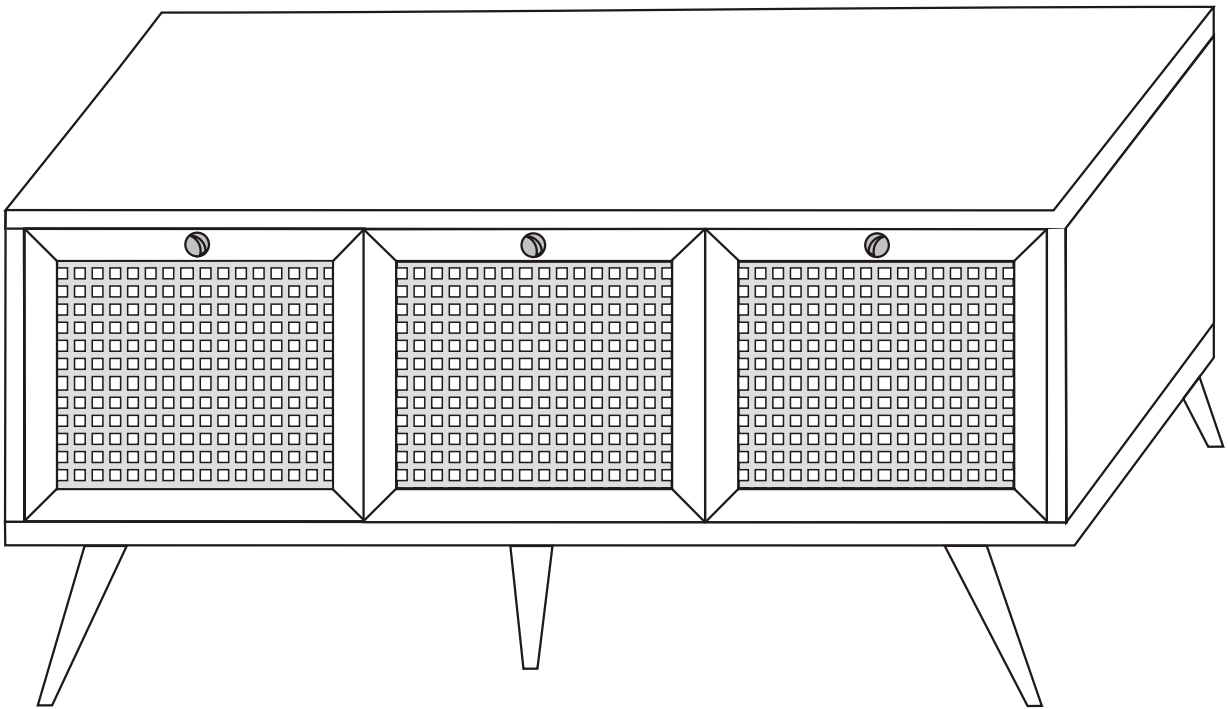


# **LIKYA -180**

---

## Assembly Manual



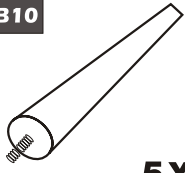
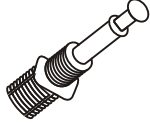


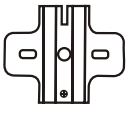



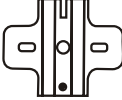
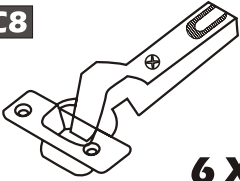

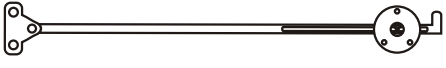
---

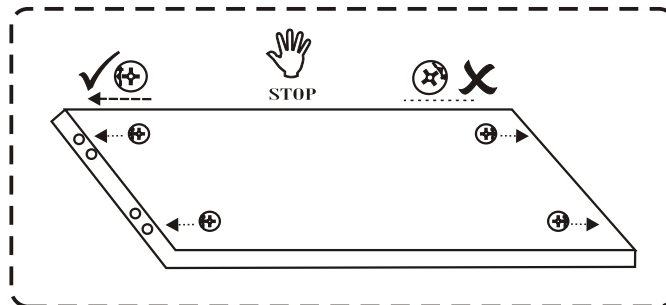
**Kalune Design**  
Furniture

# ATTENTION !! **LIKYA -180**

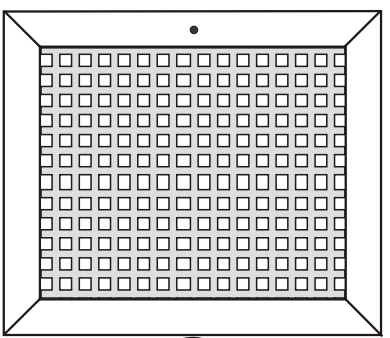
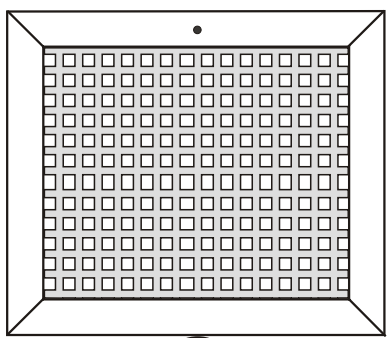
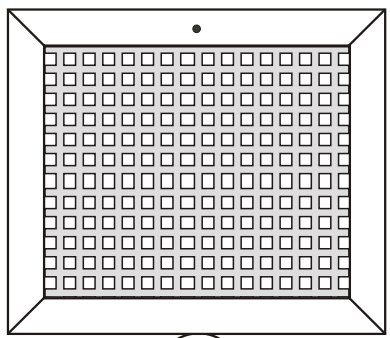
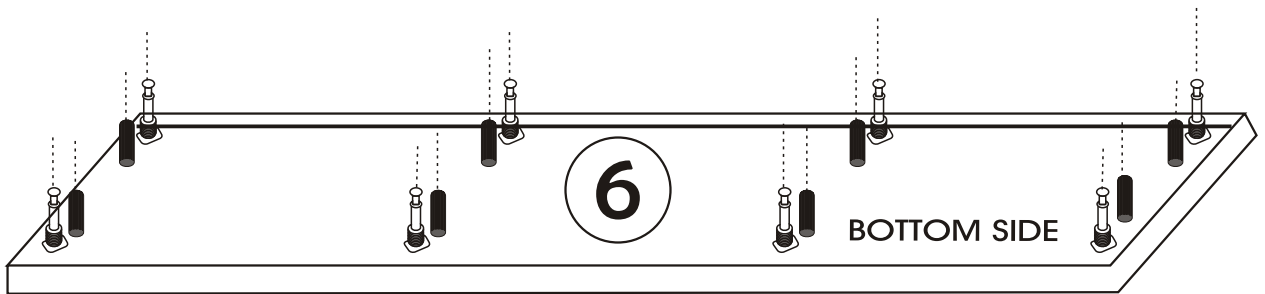
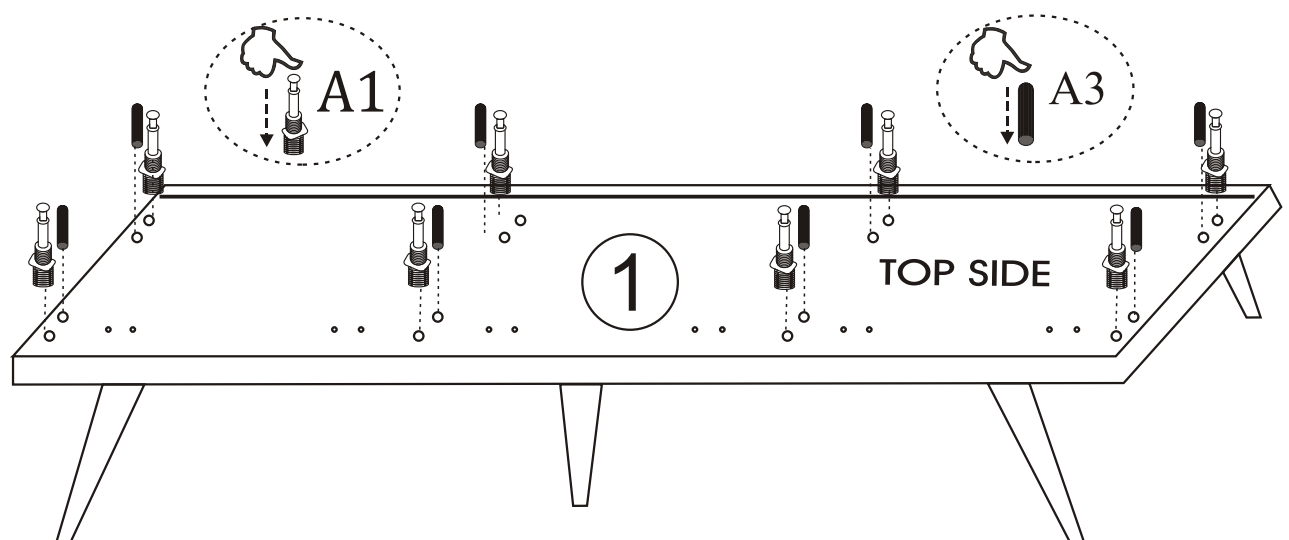
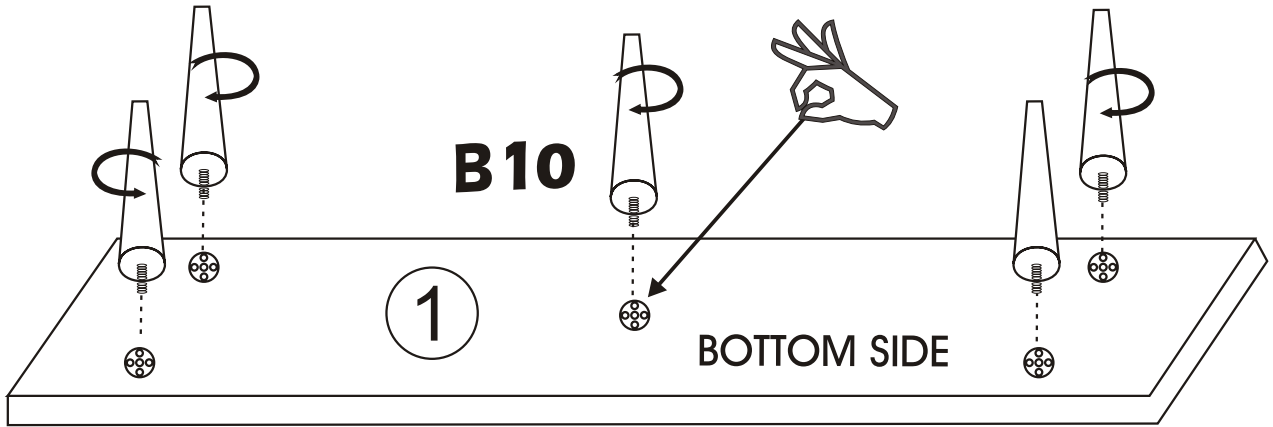
Minifix is the main connection material used in Decortile products ,  
Before starting assembly , Please check the drawings below

## Accessory List

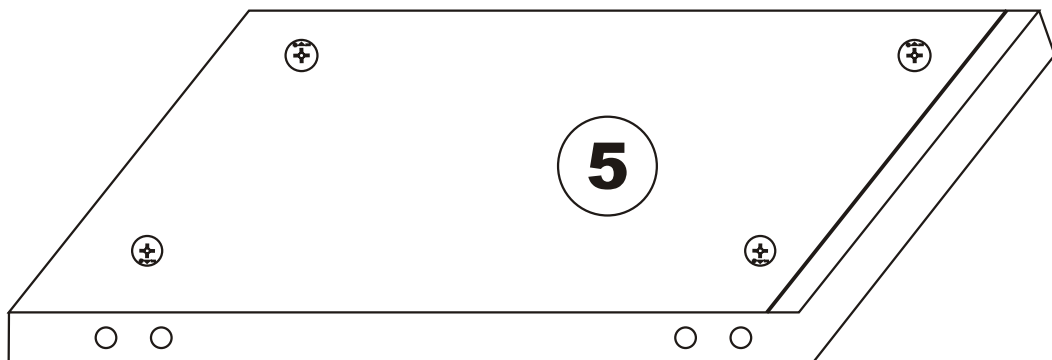
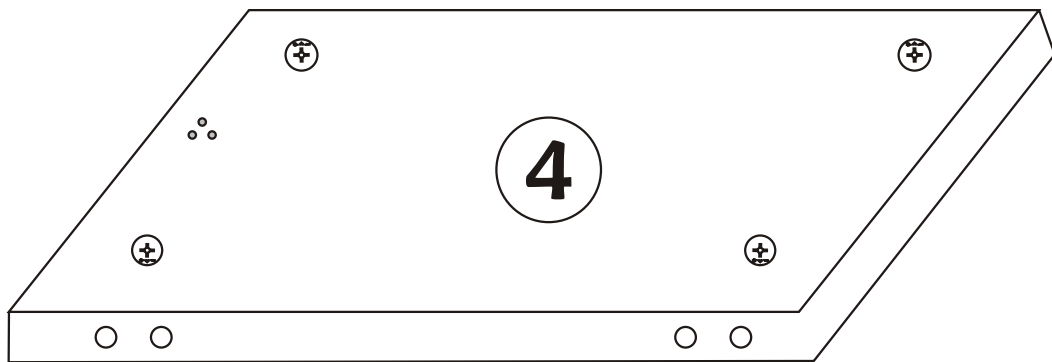
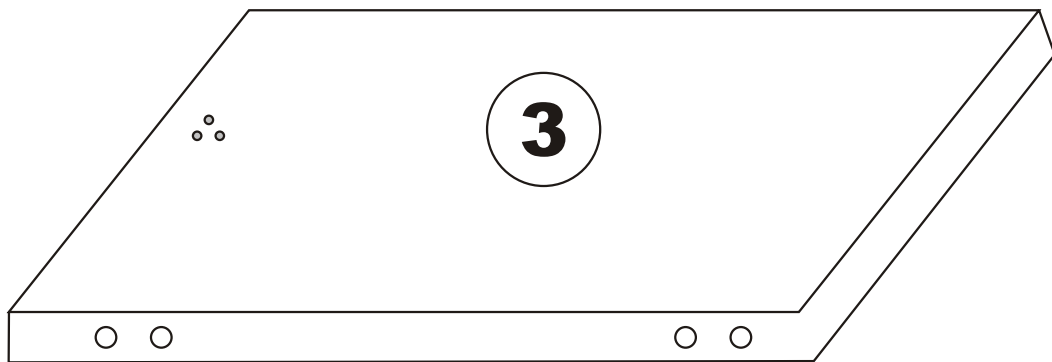
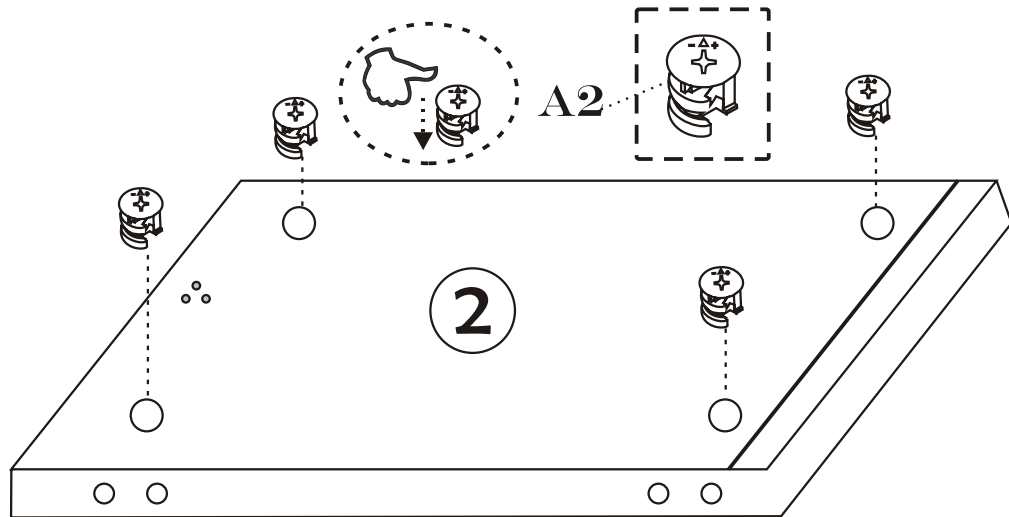
<b>B10</b>  <b>5X</b>	<b>A1</b> Minifix  <b>16X</b>	<b>A2</b> Minifix  <b>16X</b>	<b>A3</b>  <b>16X</b>	<b>C7</b>  <b>6X</b>
<b>N20</b> 3,5x18  <b>40X</b>	<b>C9</b>  <b>3X</b>	 <b>3X</b>	<b>C7</b>  <b>6X</b>	<b>C8</b>  <b>6X</b>
	 <b>3X</b>			<b>GENERAL VIEW</b>



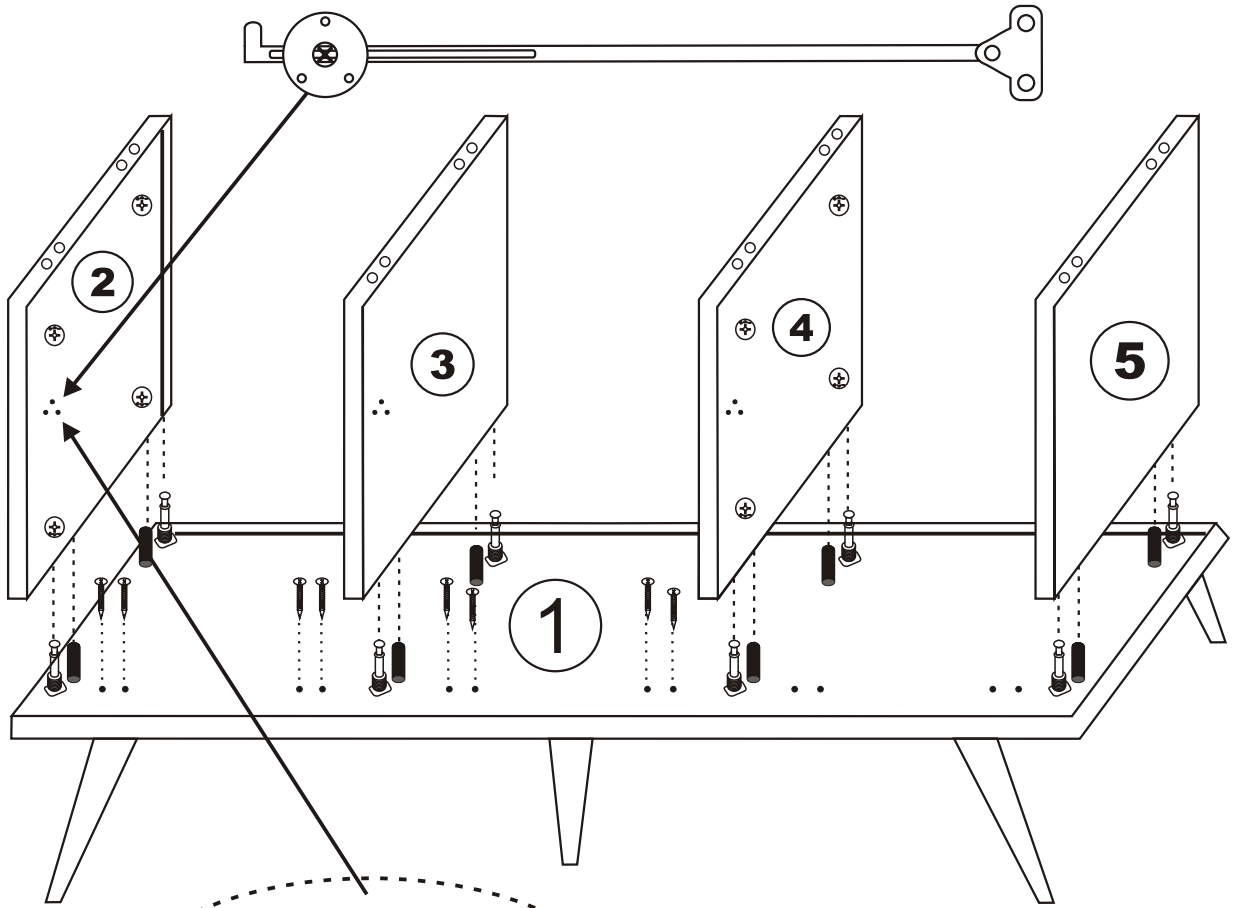
**For users over 40 kilograms,  
to avoid any flexion, it is highly  
recommended to assemble additional  
leg into the center of the product .**



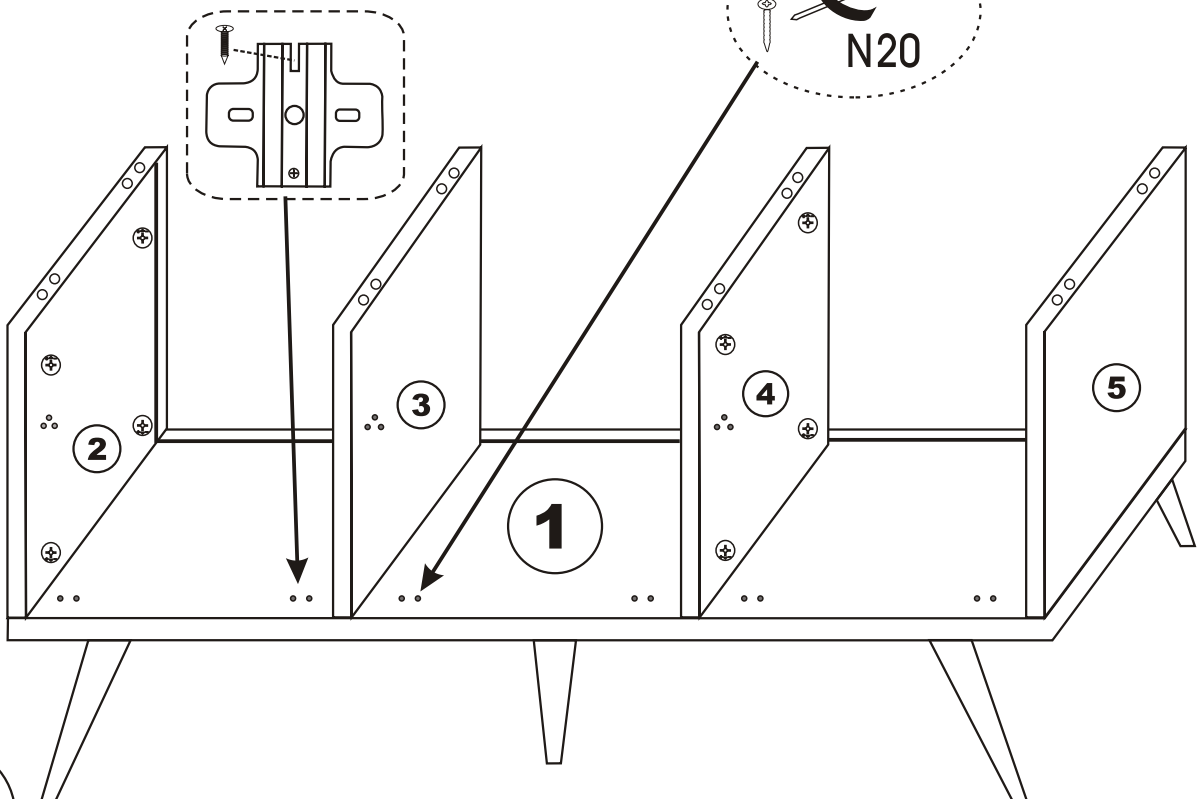
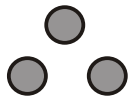
2



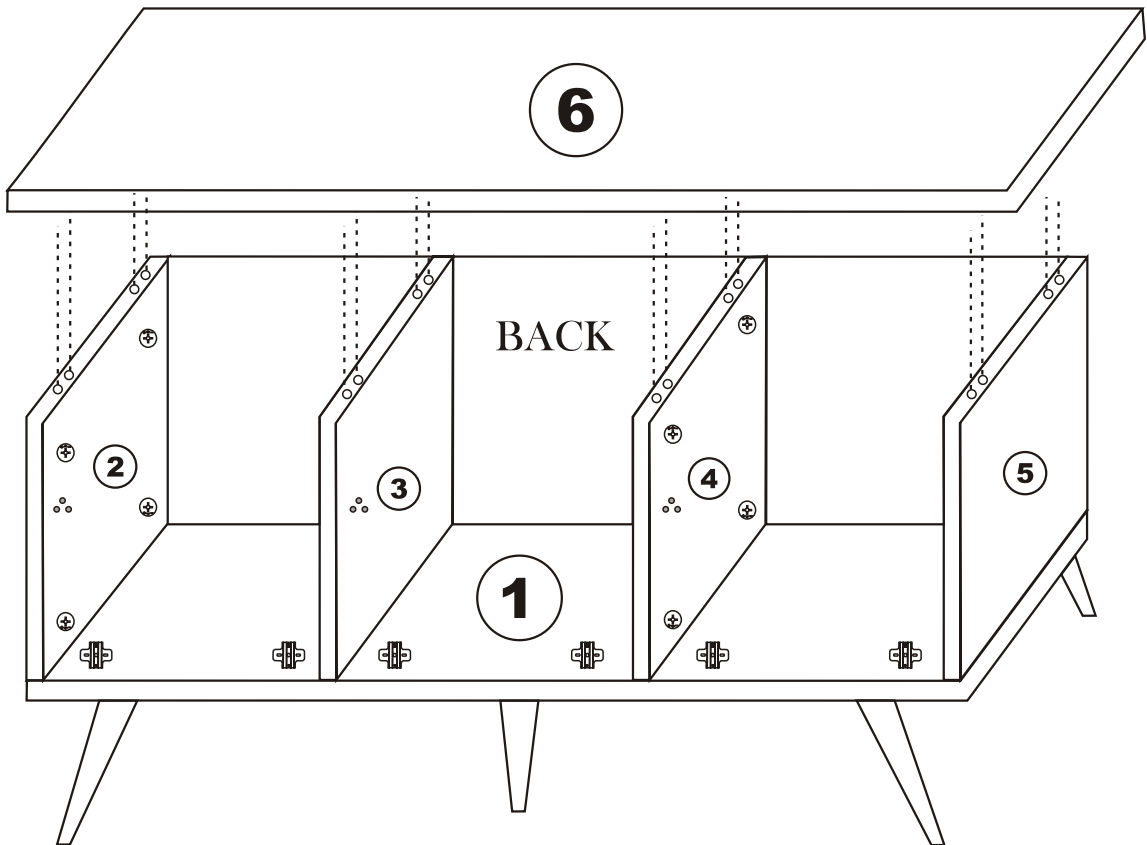
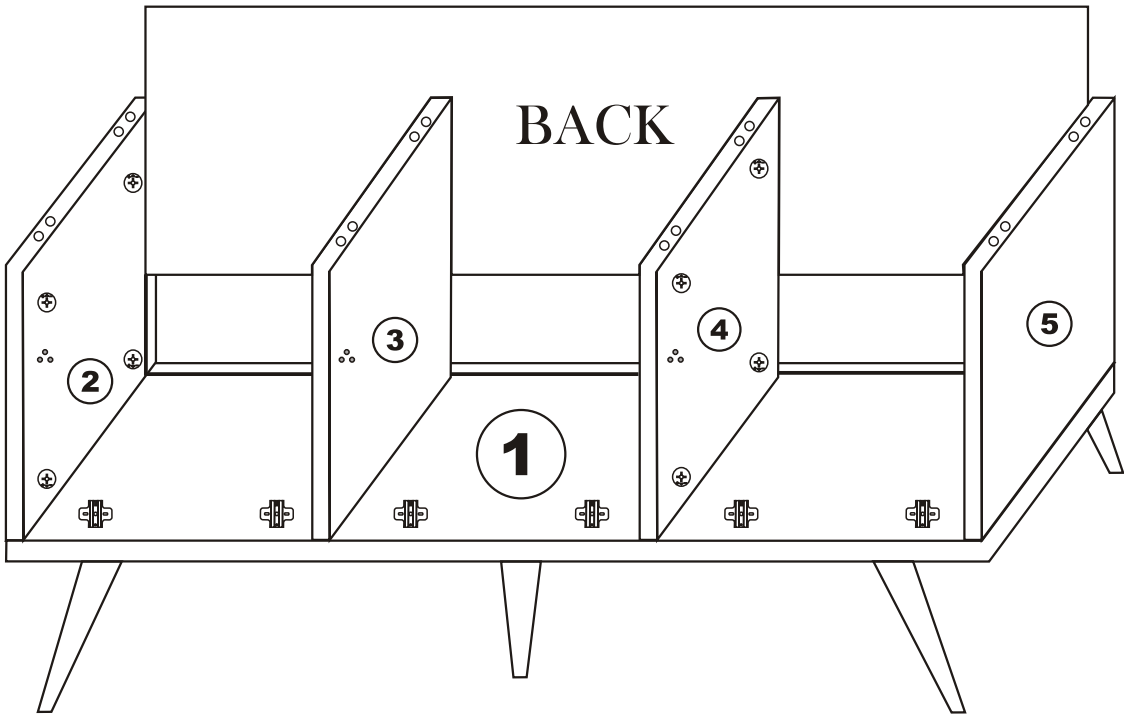
3



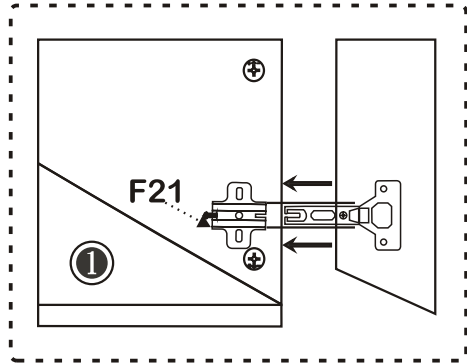
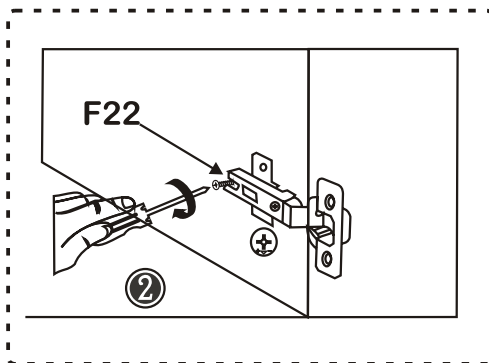
Attention

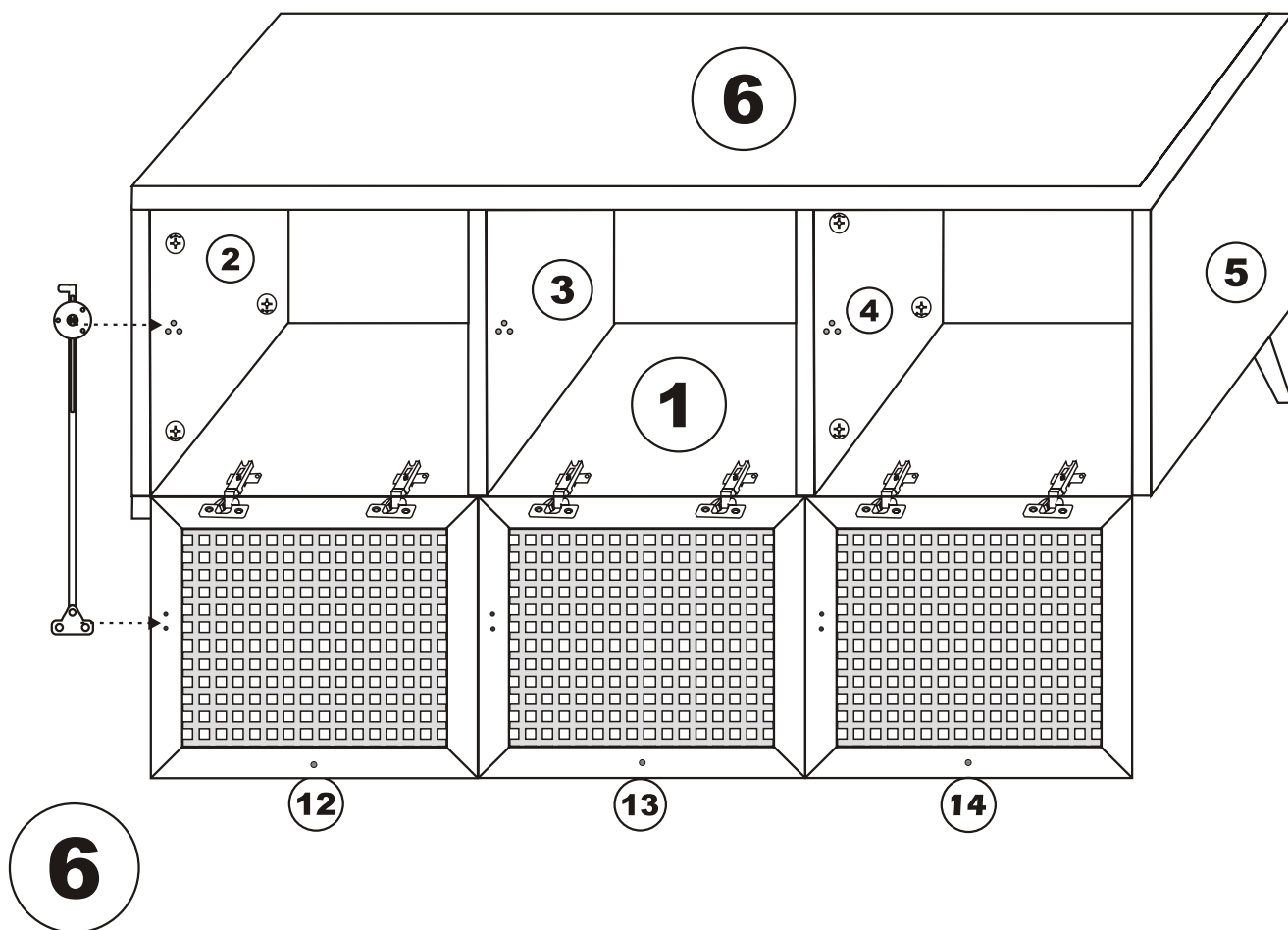
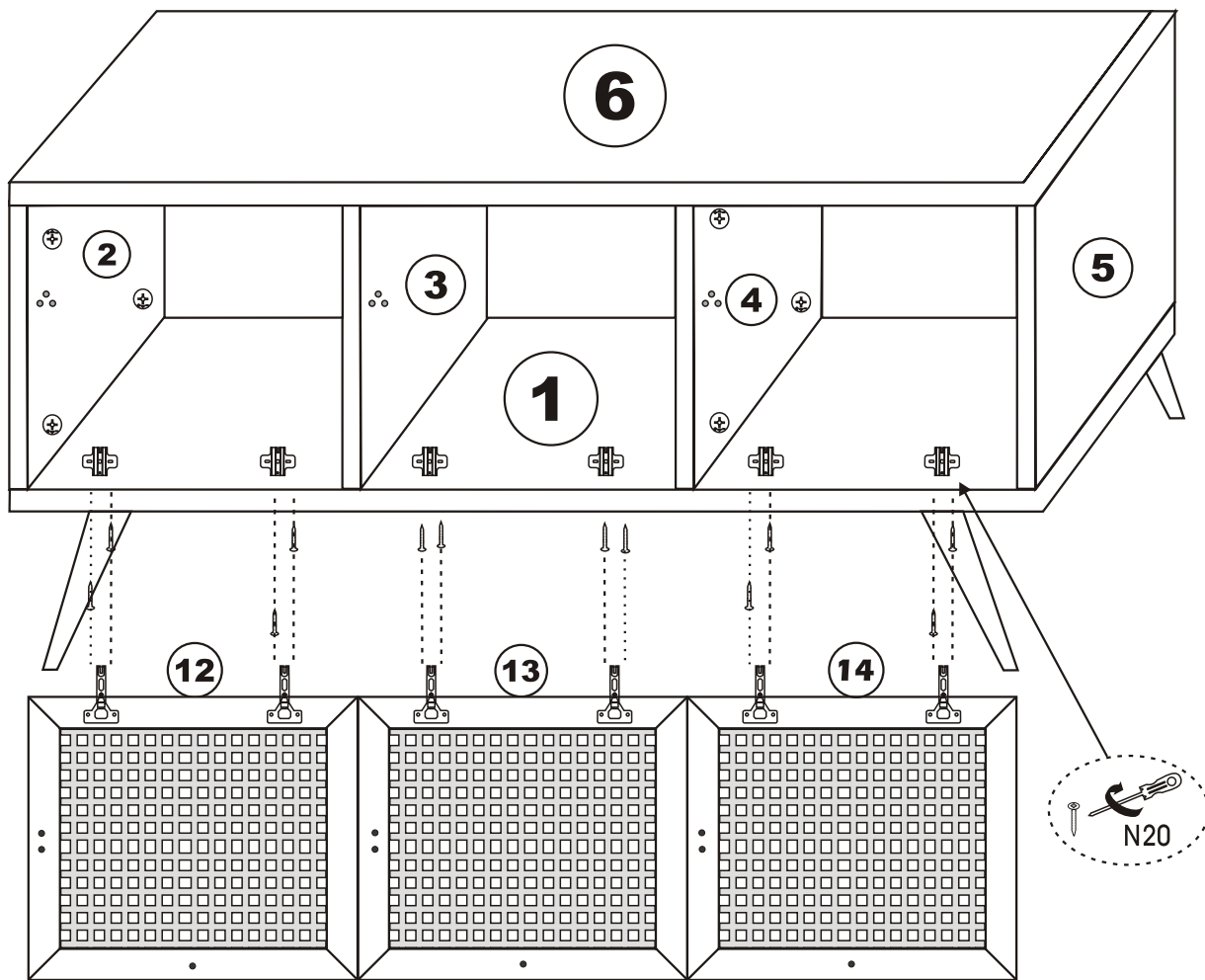


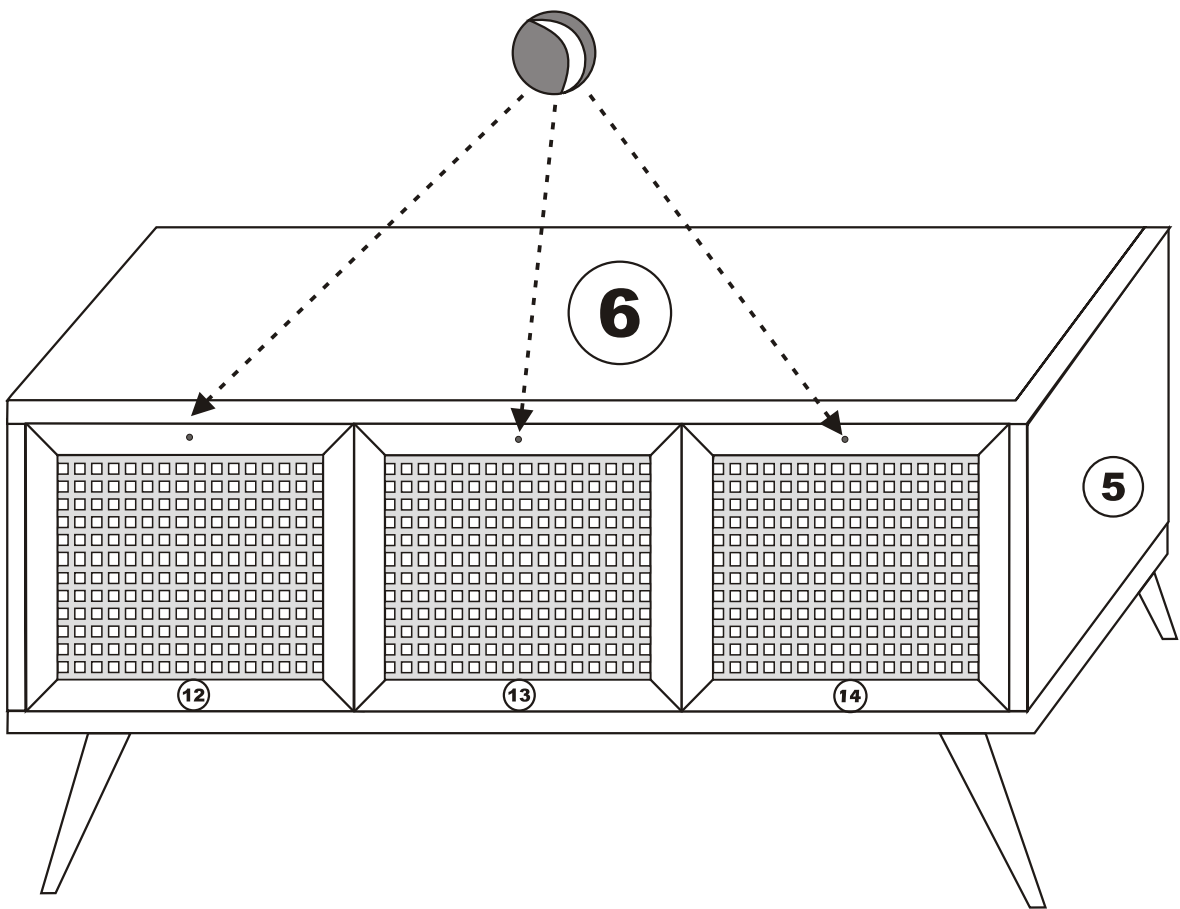
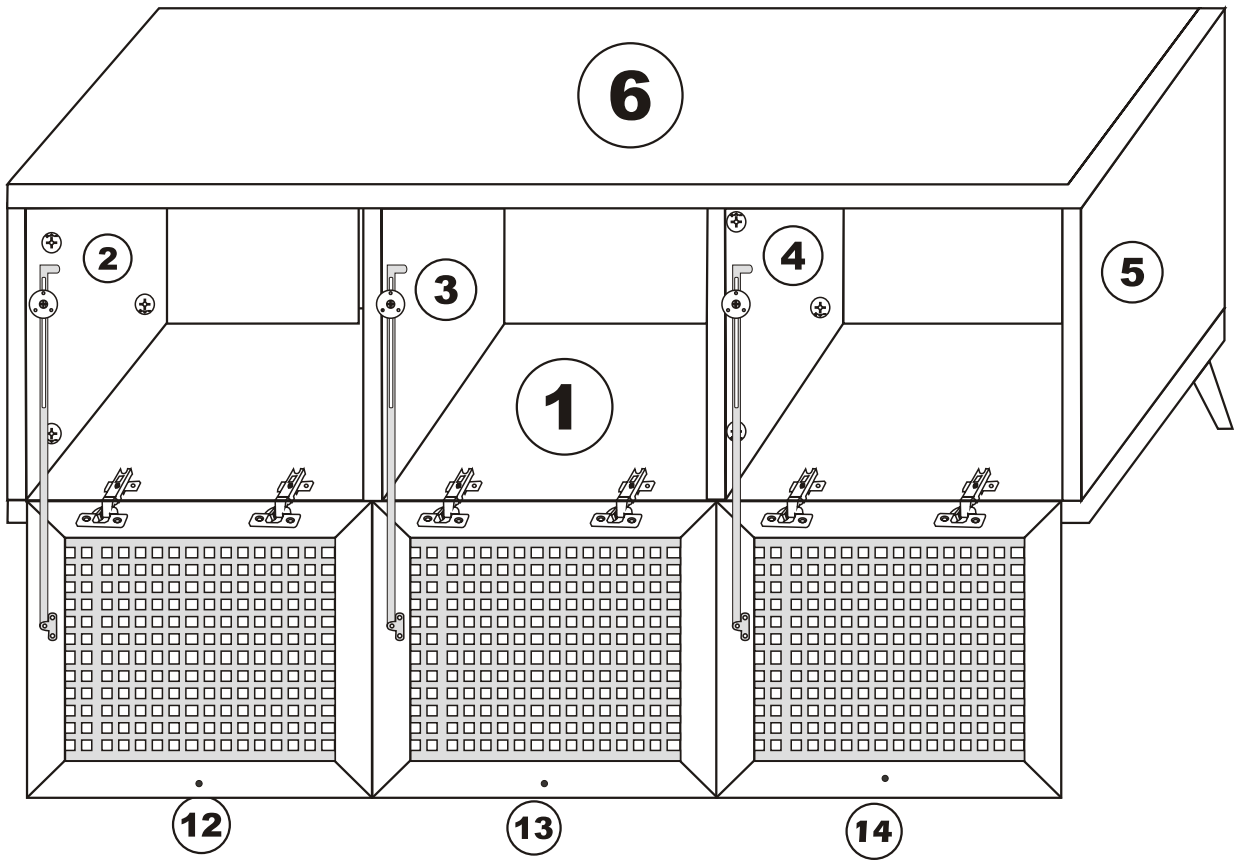
4



5







7