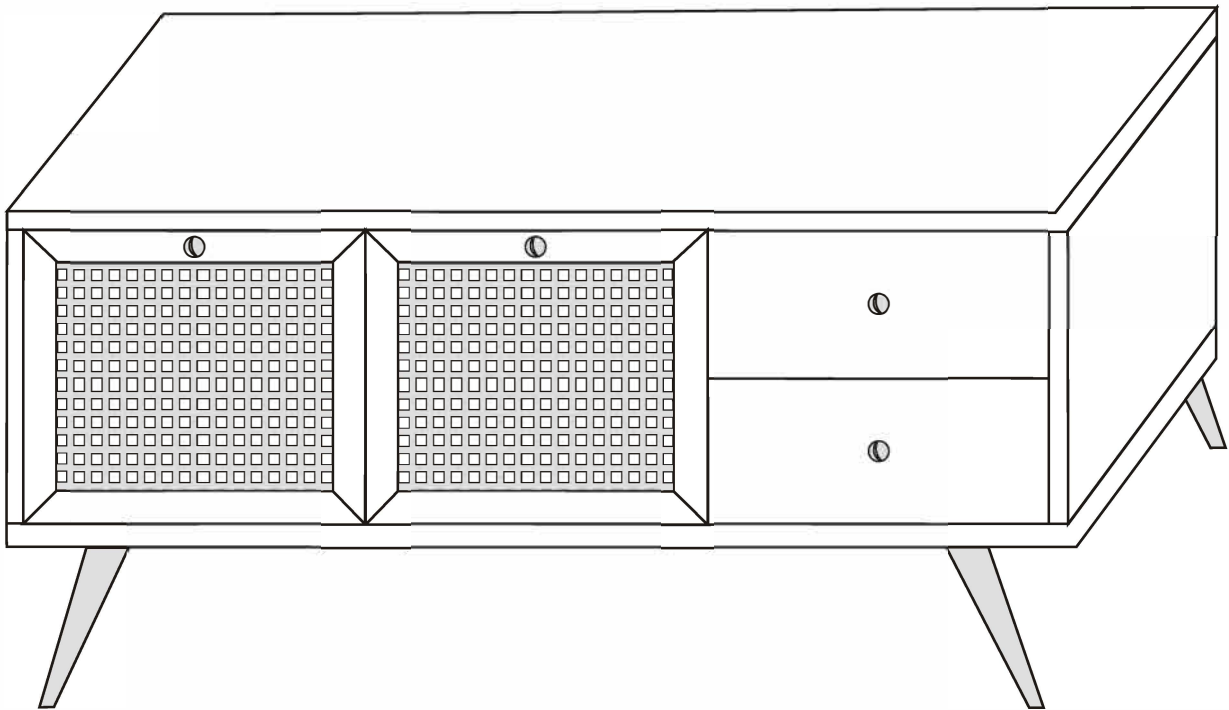


PATARA - 140

Assembly Manual



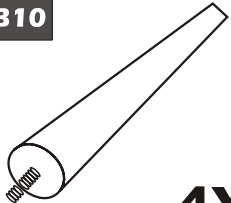


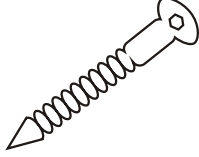
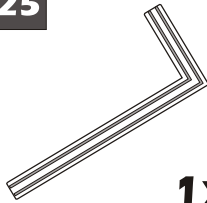
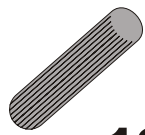

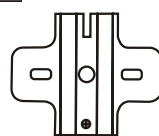

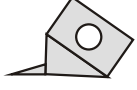
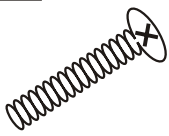
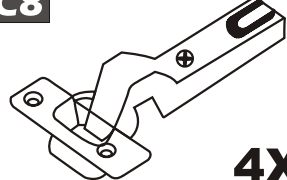

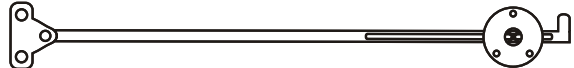
Kalune Design
Furniture

PATARA 140

ATTENTION !!

Minifix is the main connection material used in Decortile products ,
Before starting assembly , Please check the drawings below

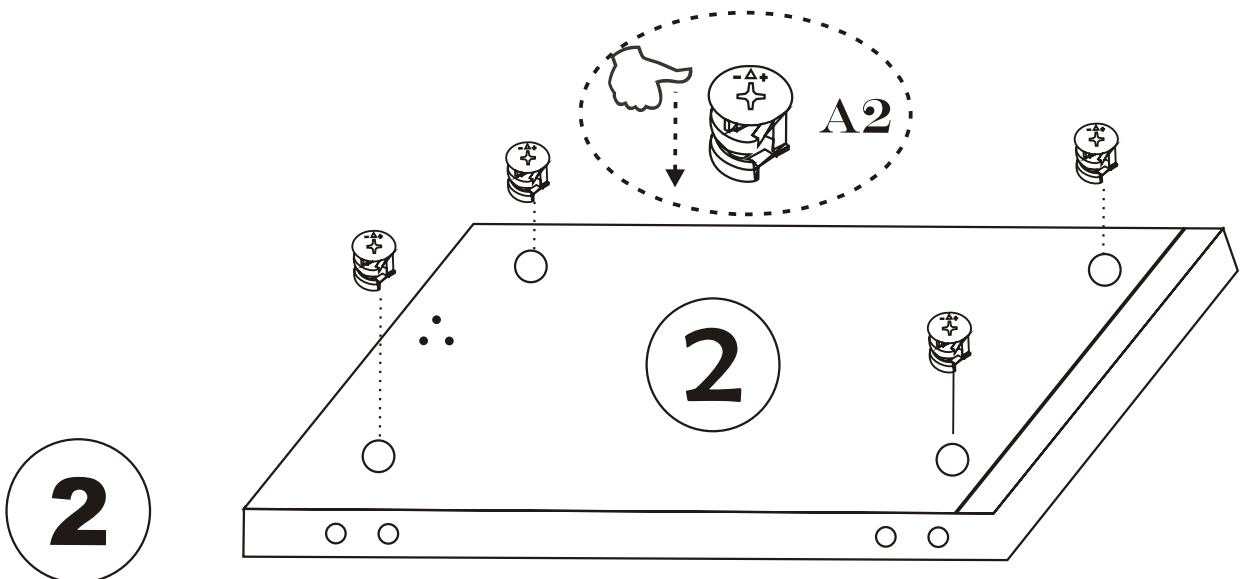
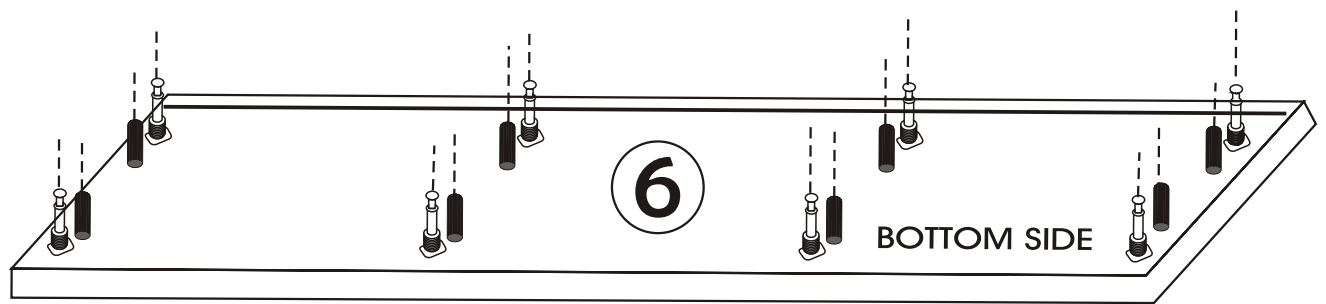
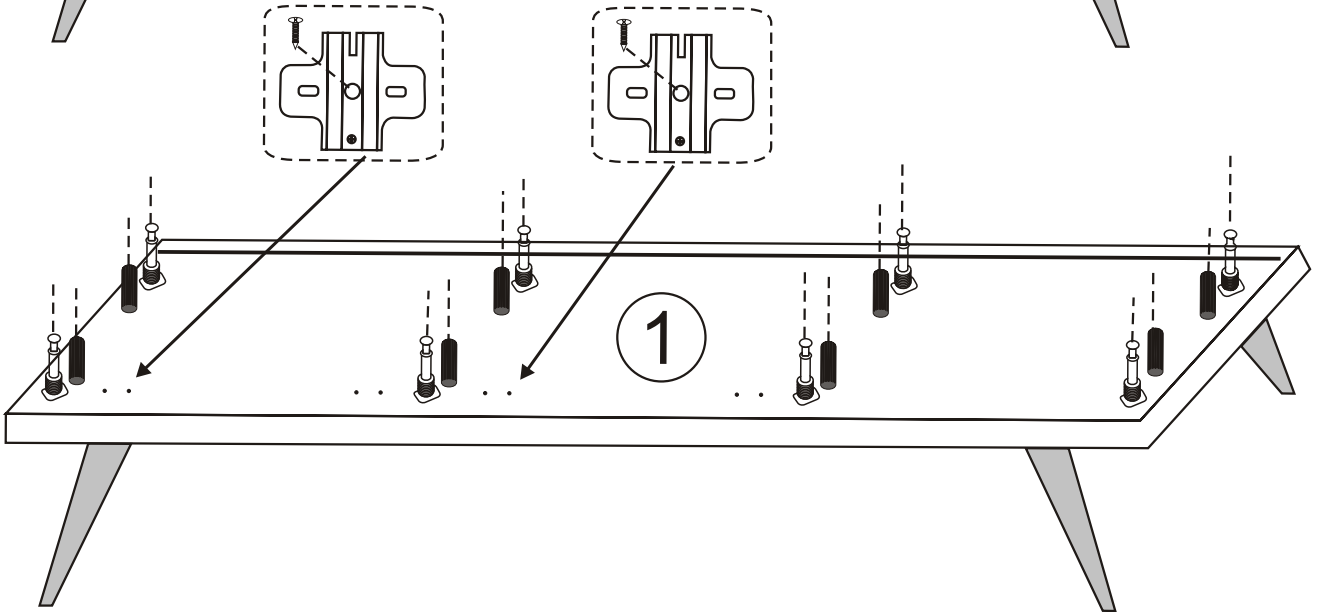
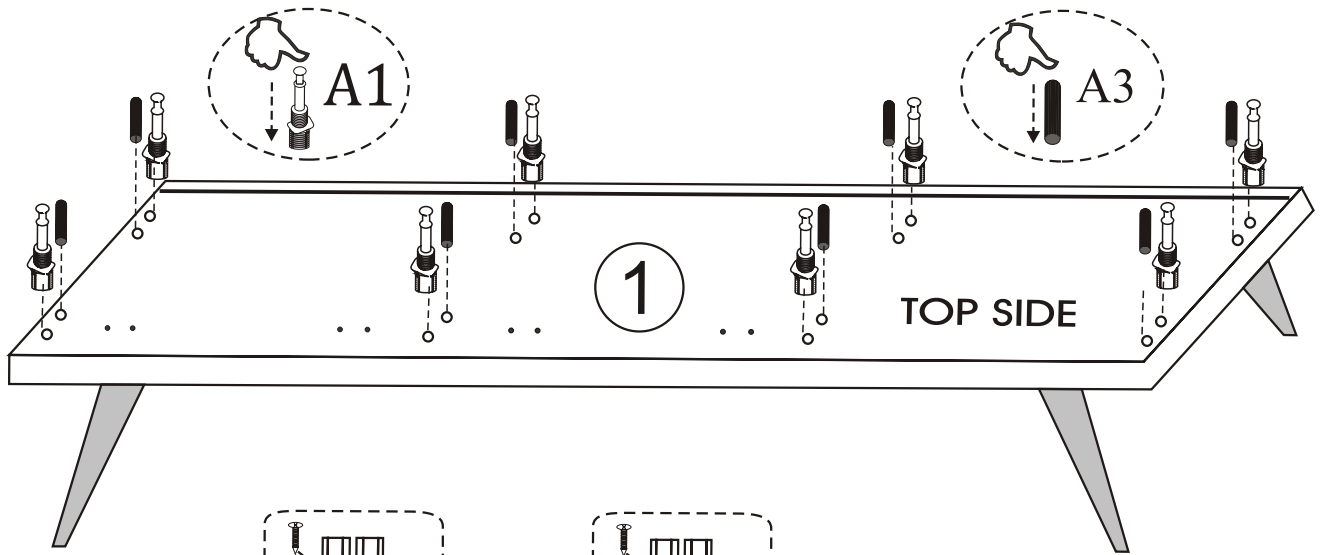
Accessory List

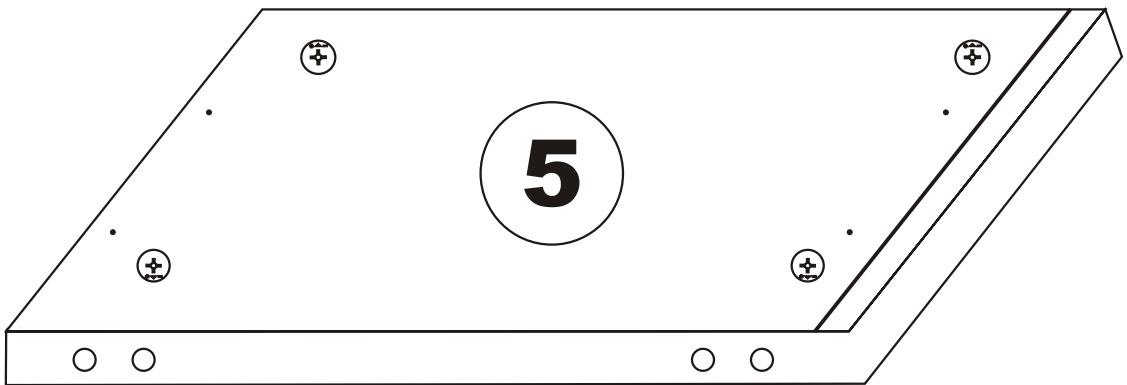
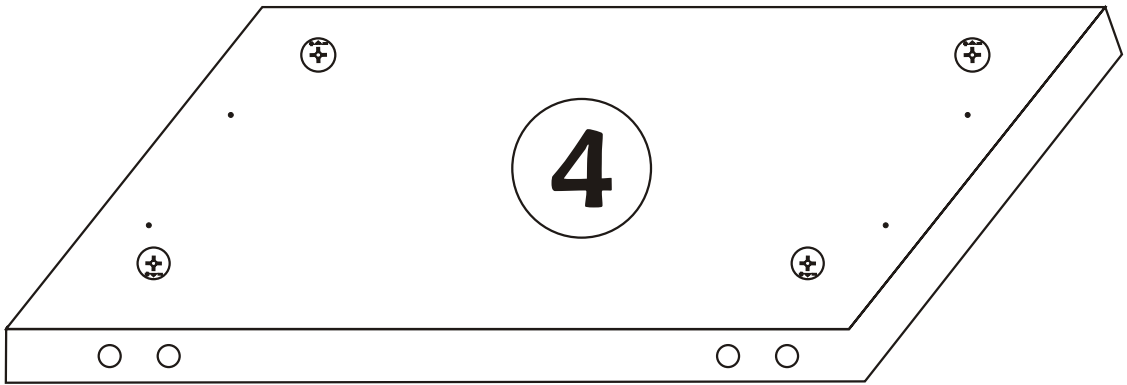
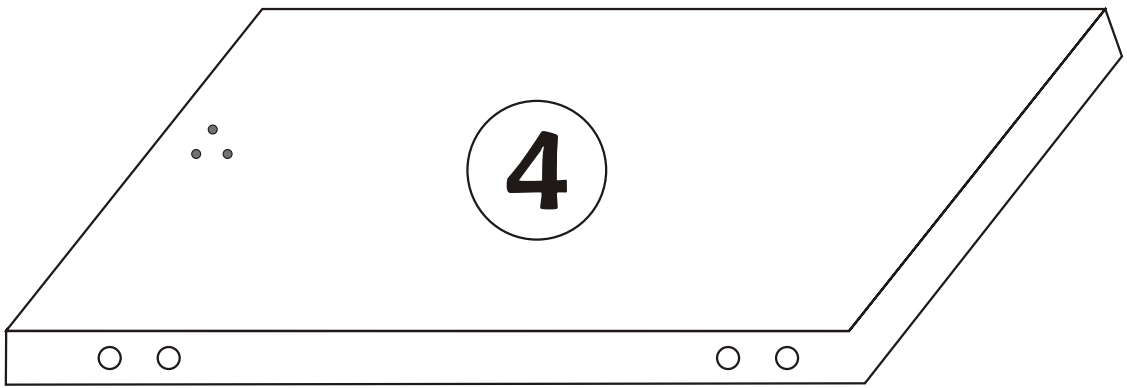
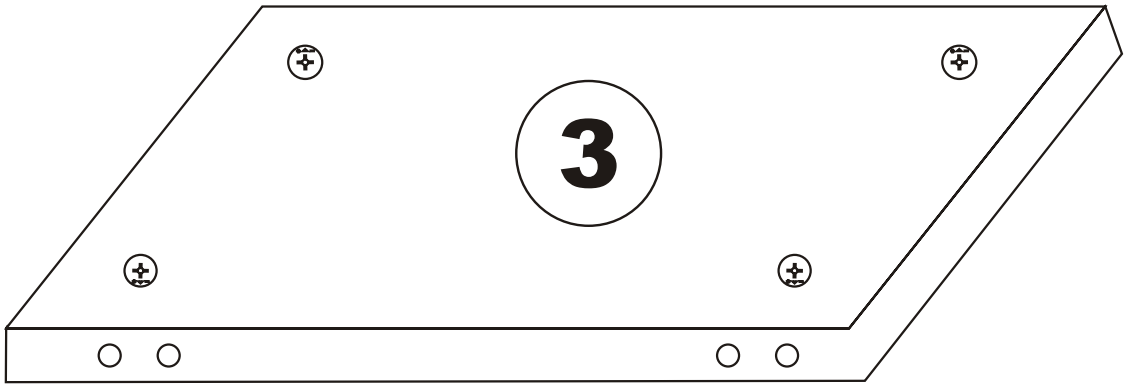
B10  4X	A1  24X	A2 Minifix  24X	T24  8X
T25  1X	A3  16X	 4X	C7  4X
N20  55X	R11  12X	C9  4X	C8  4X
 4X		 2X	

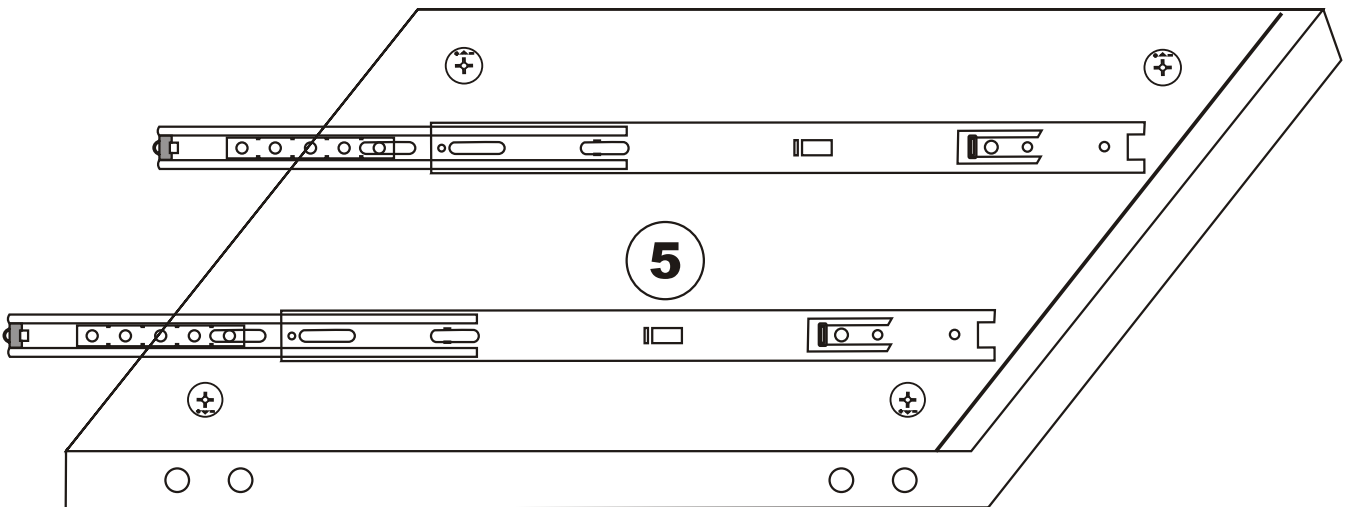
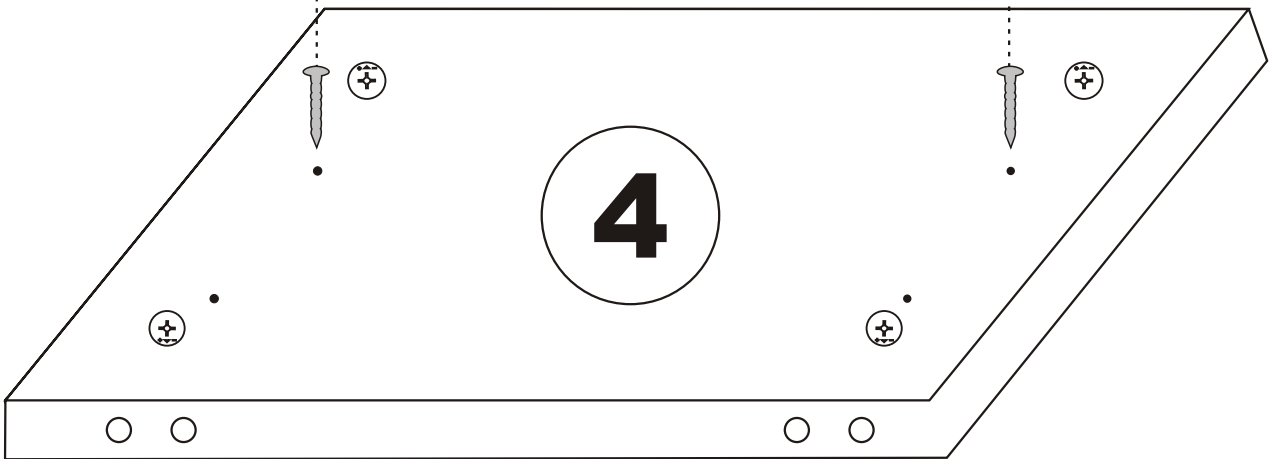
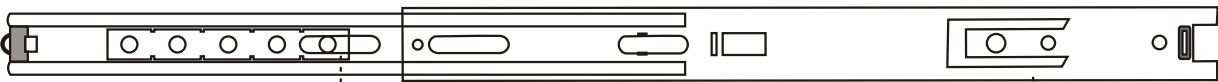
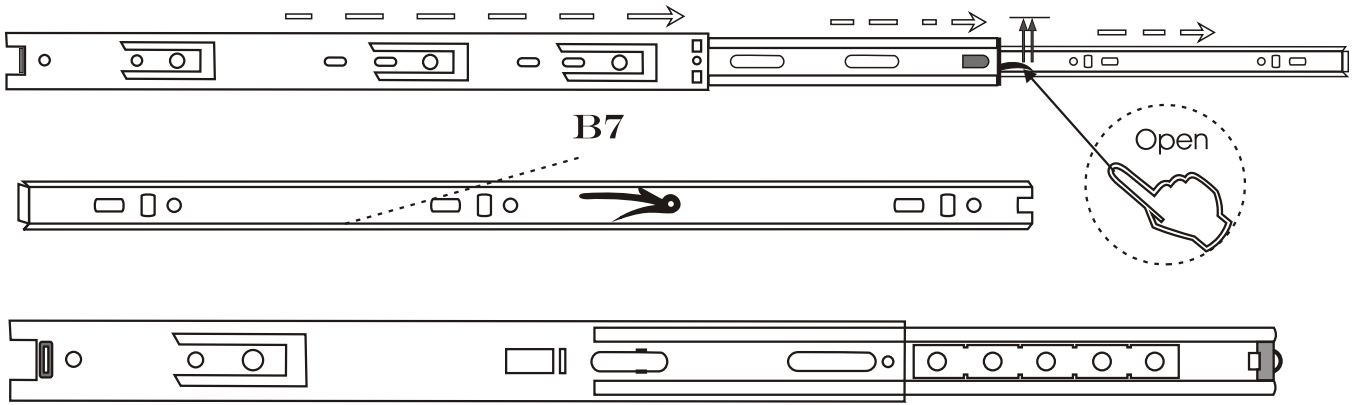
GENERAL VIEW



1

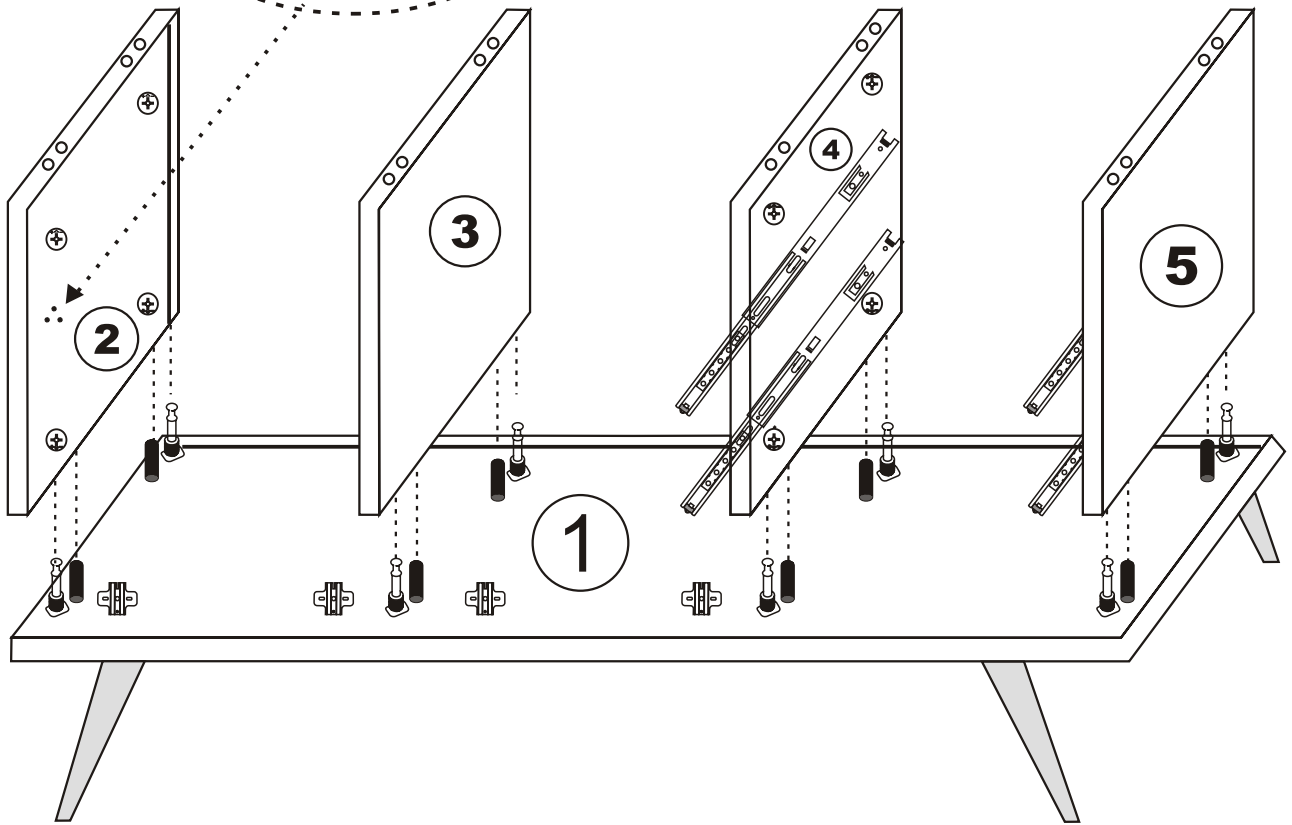




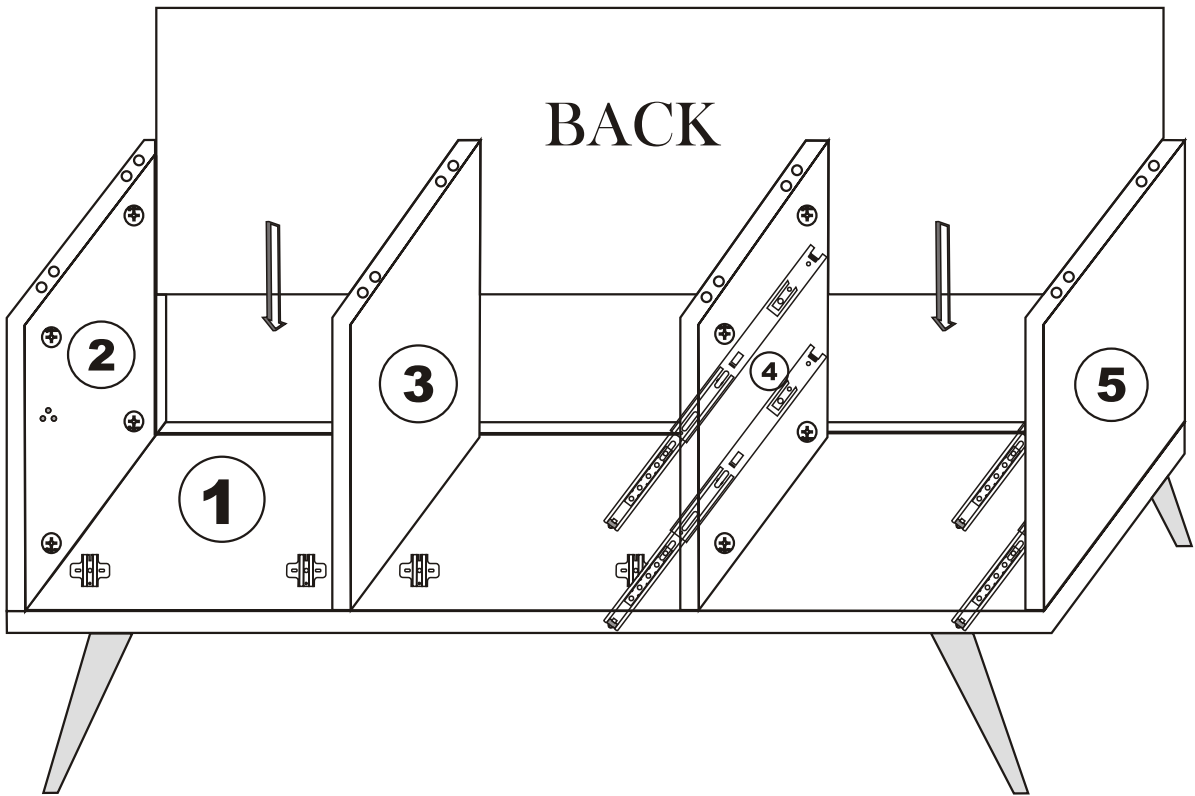


4

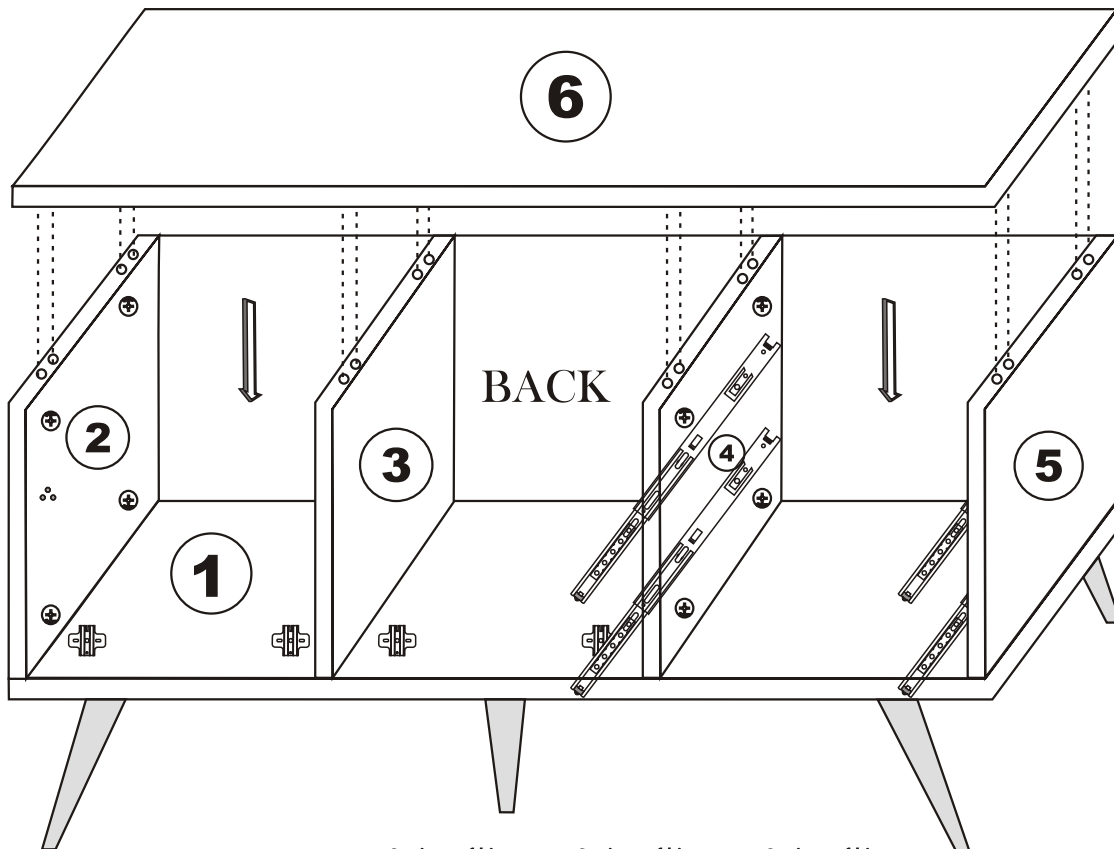
Attention



BACK



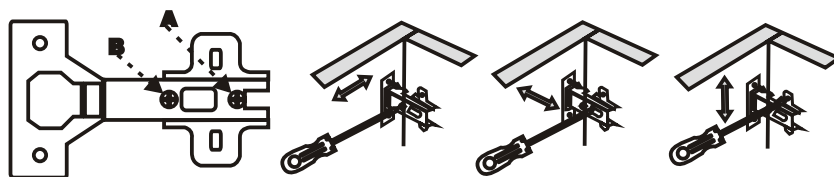
5



Settings of hinge

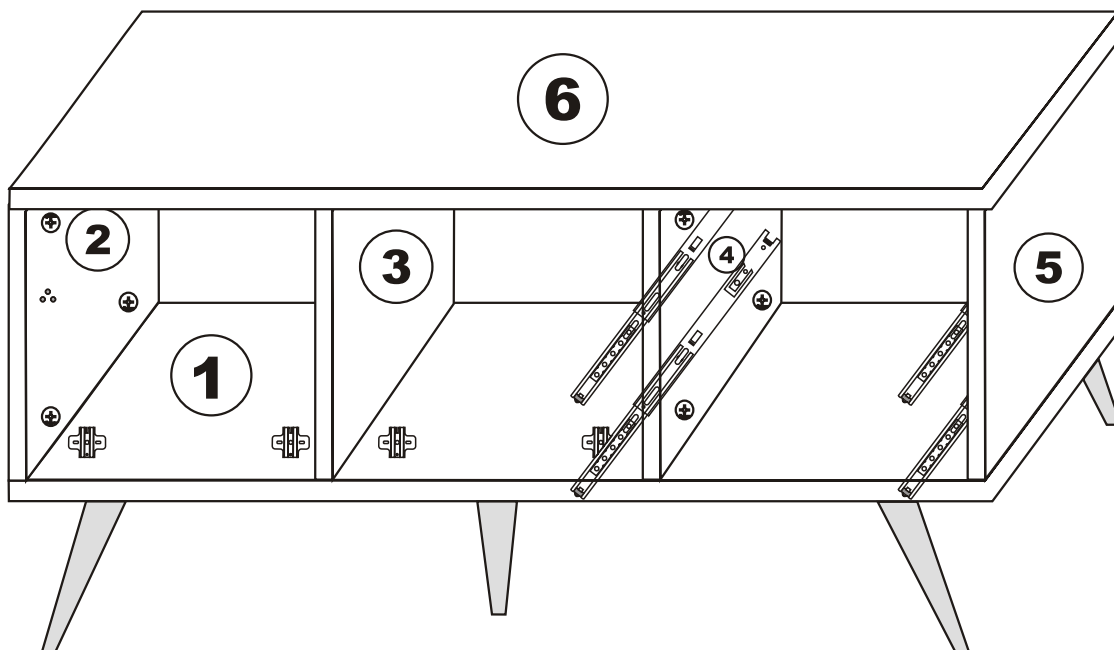
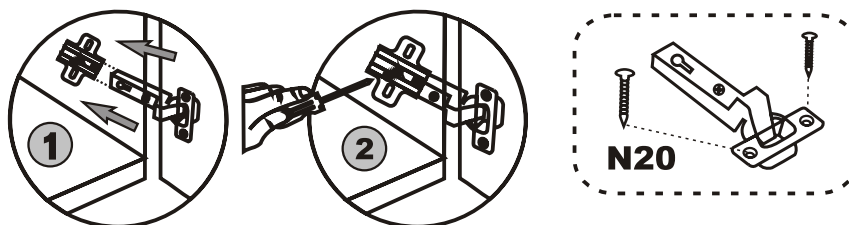
Settings of hinge

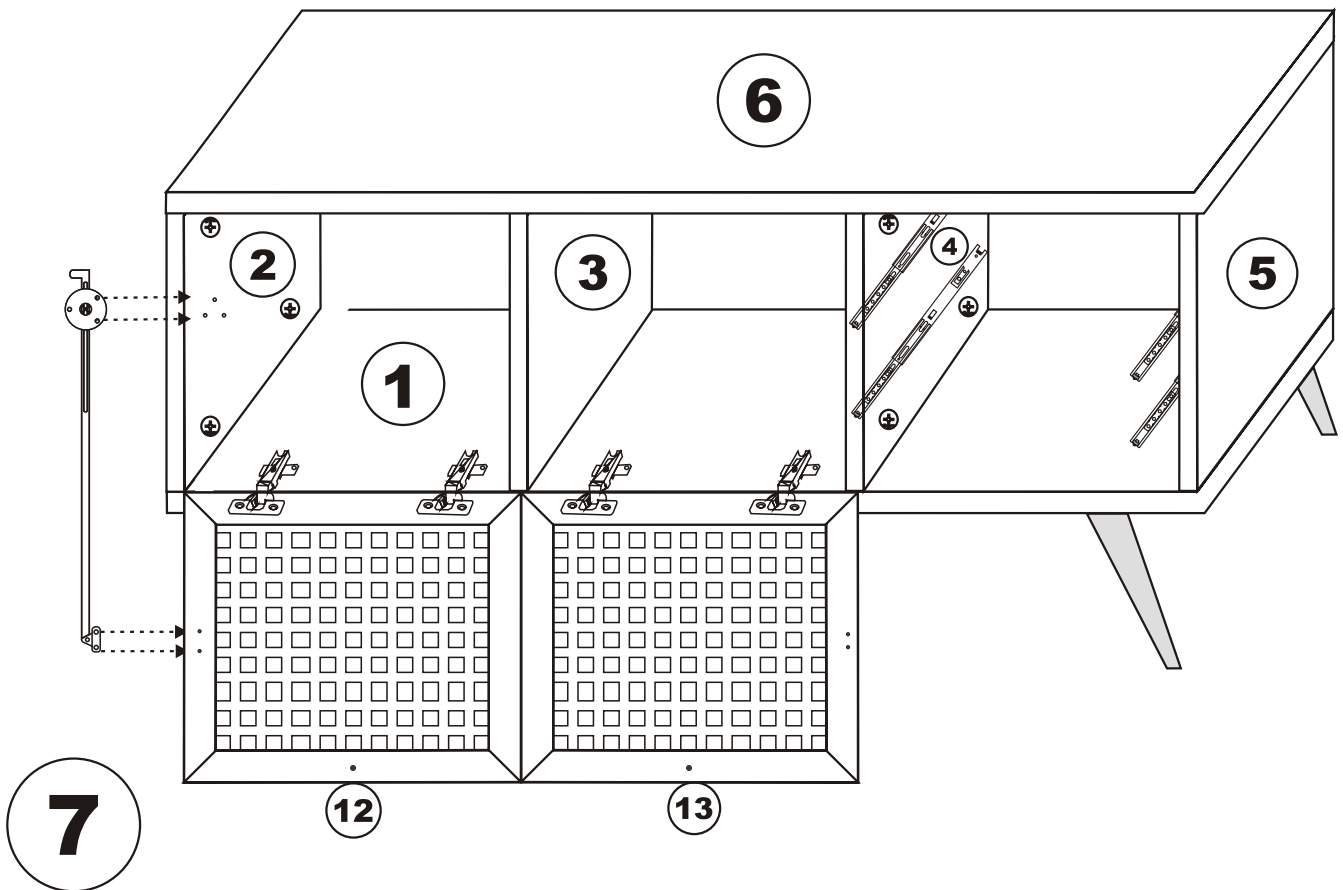
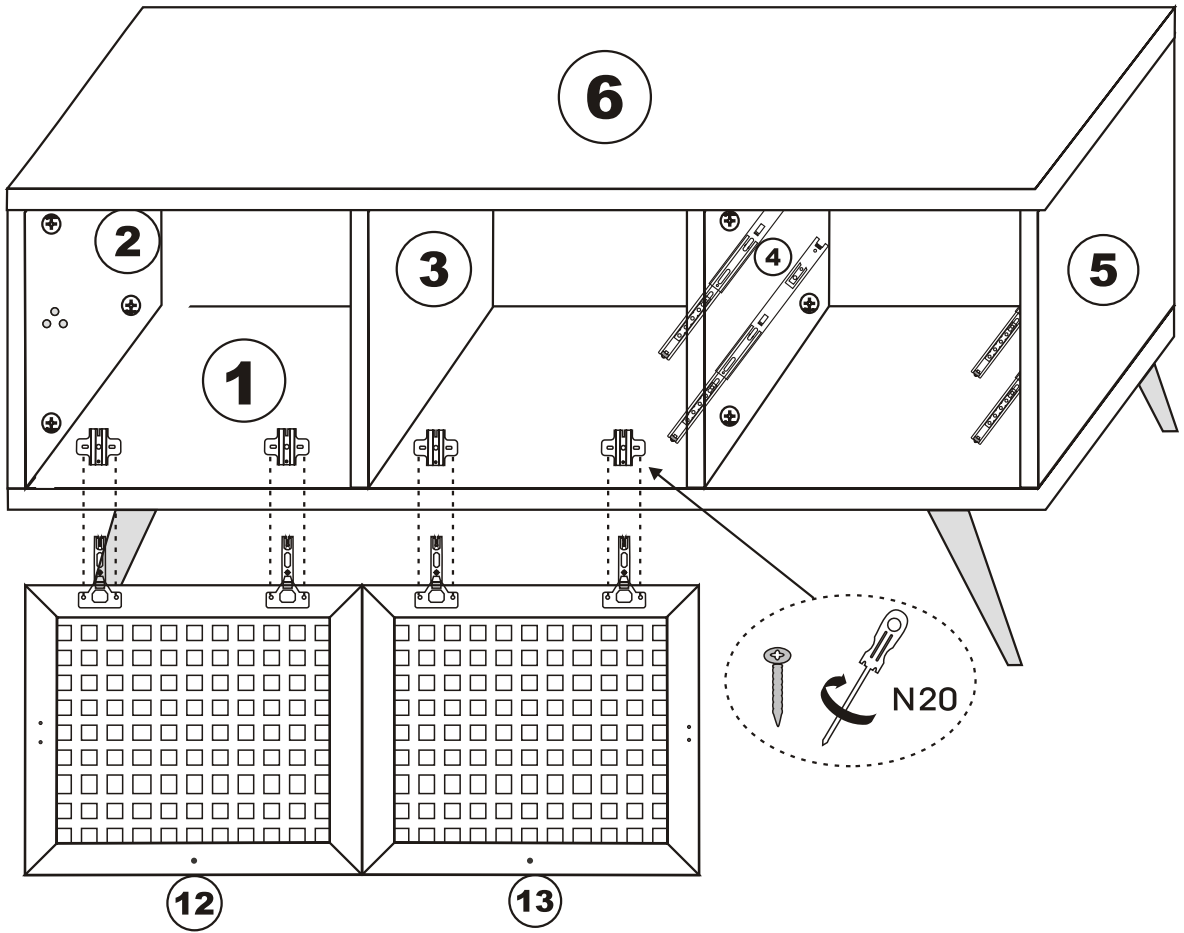
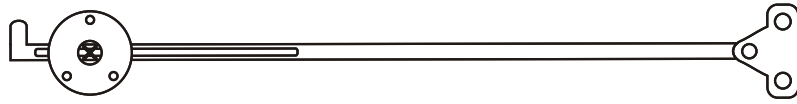
Settings of hinge

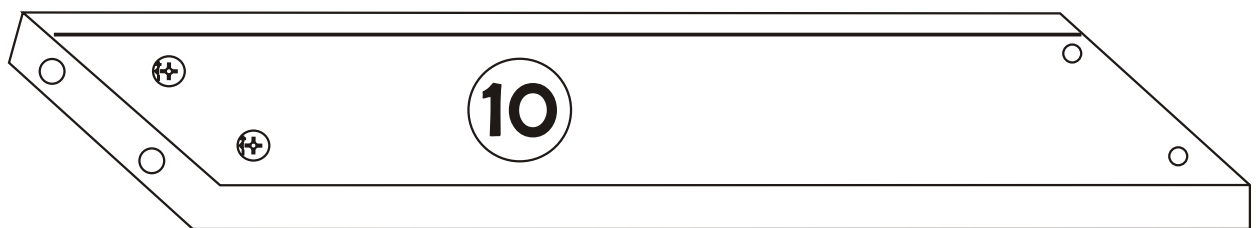
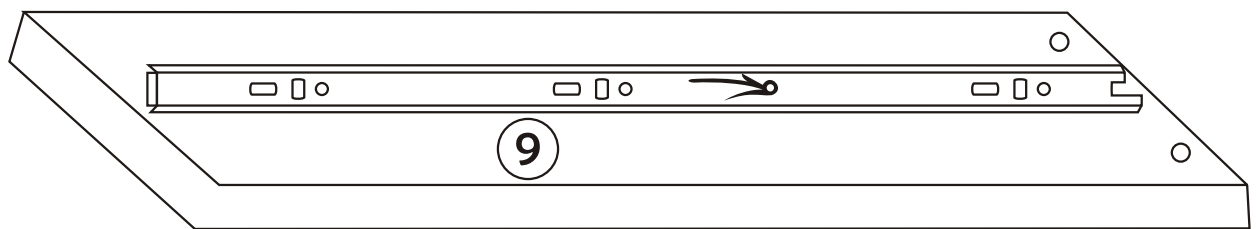
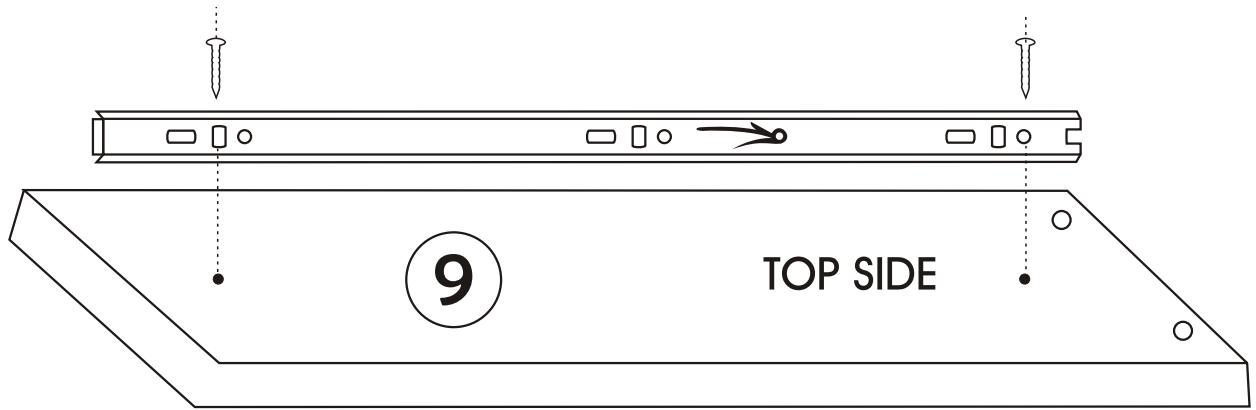
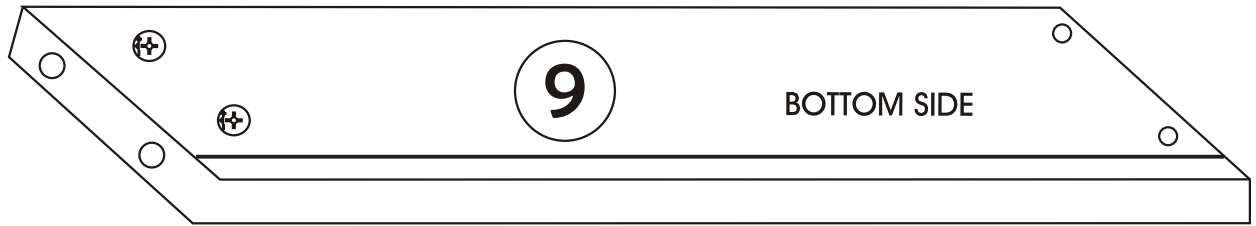
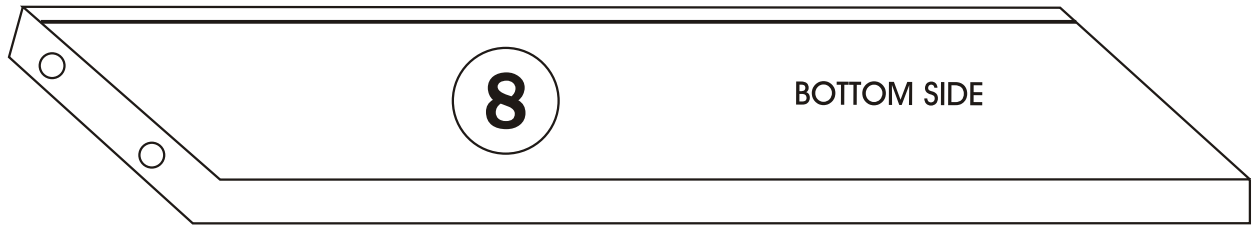


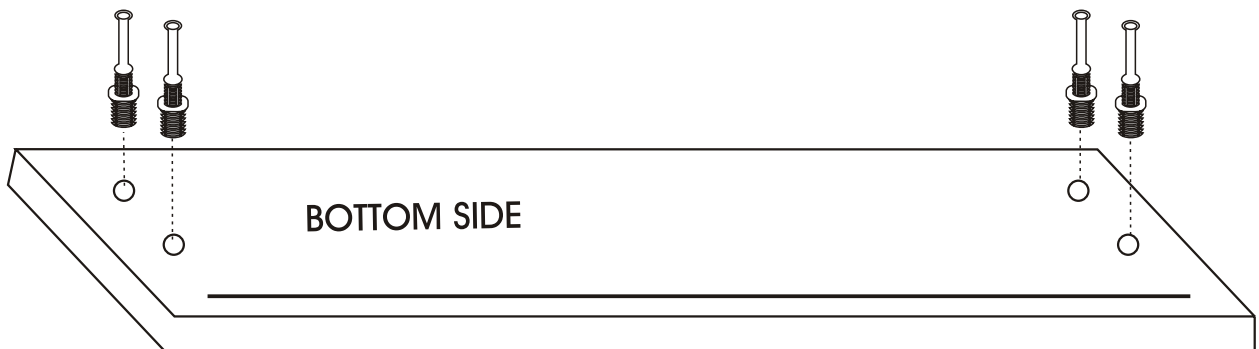
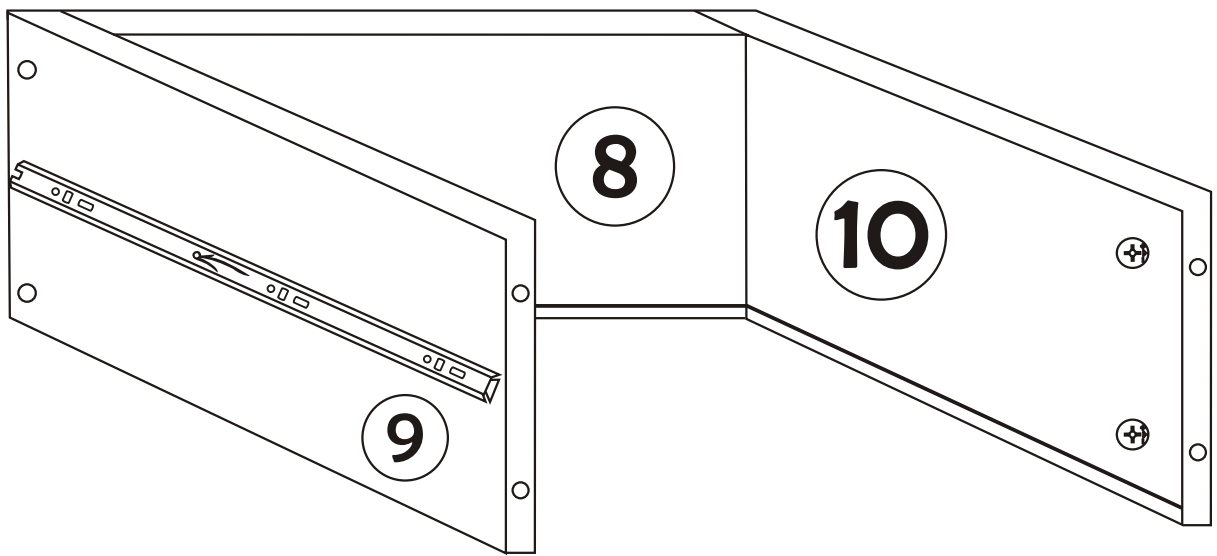
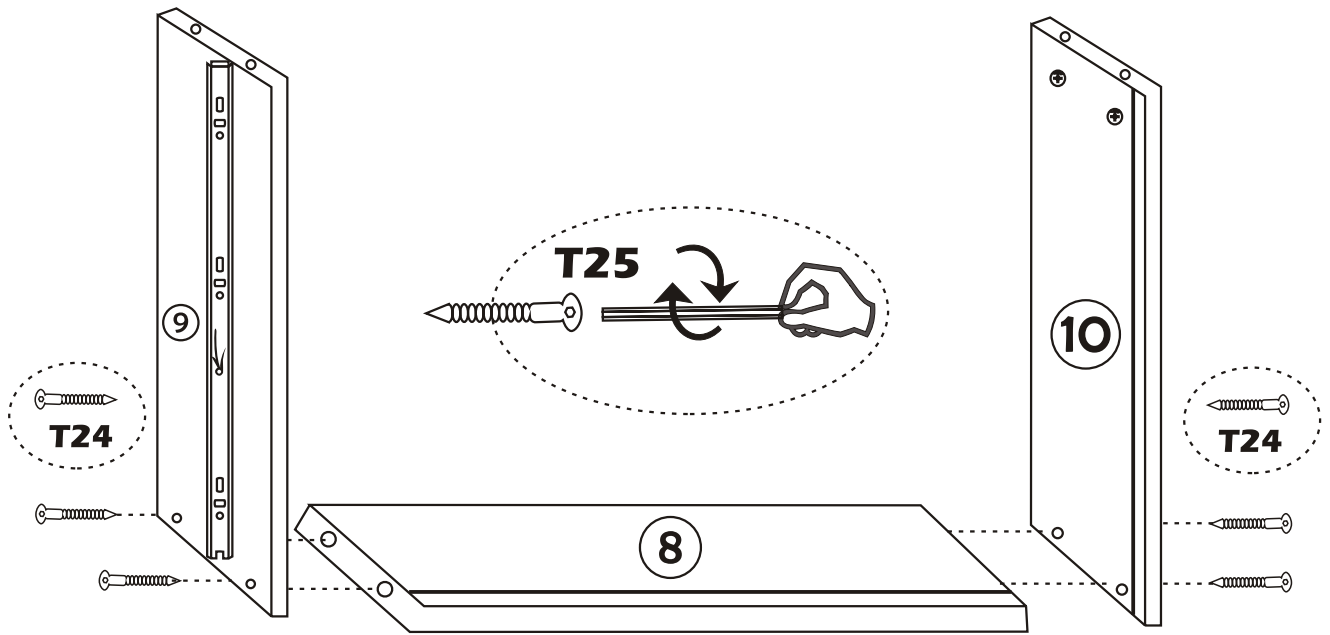
▲ - To connect the hinge to door
 ■ - to arrange the door

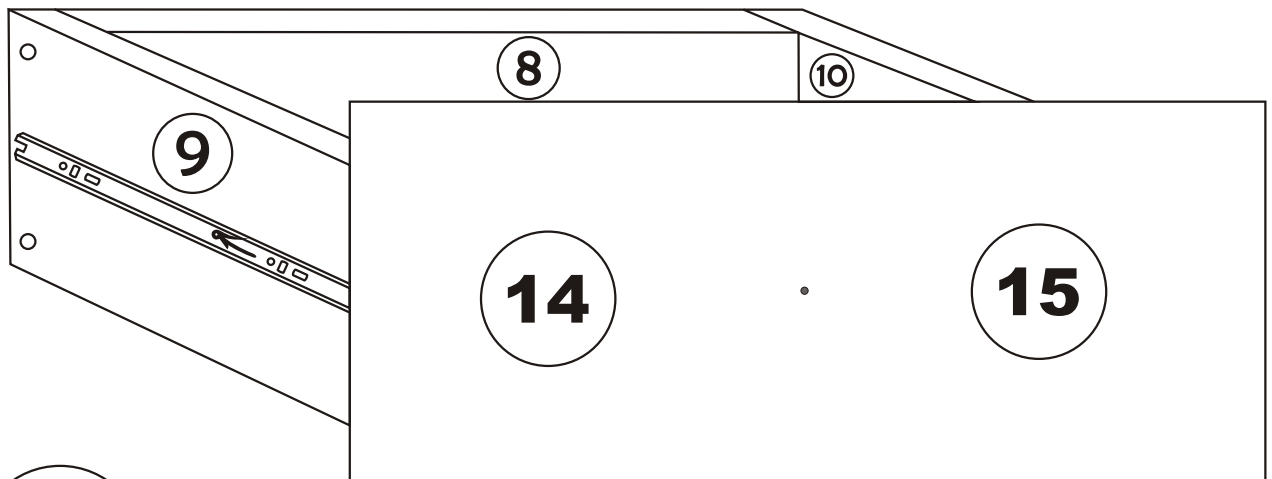
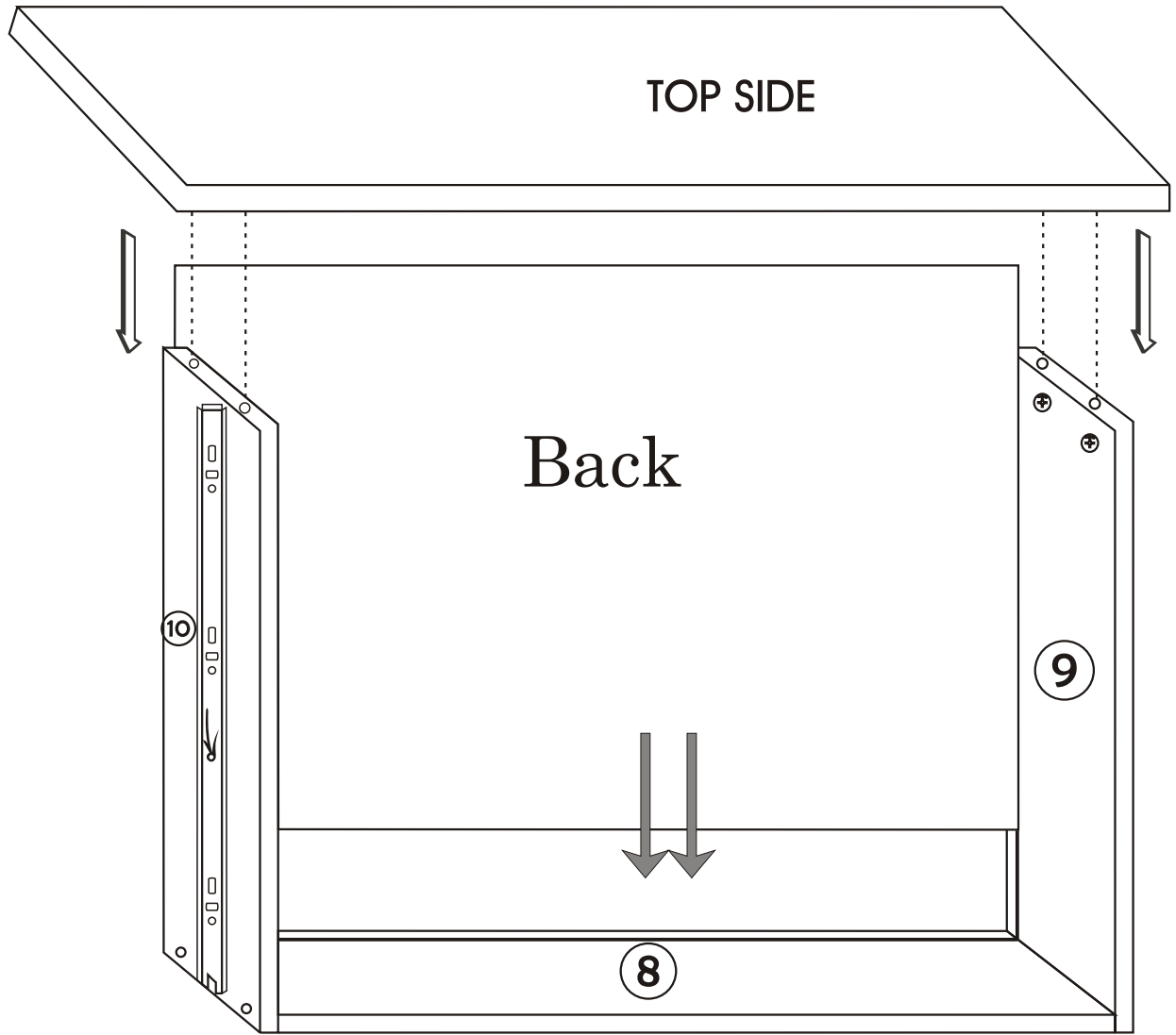
Arrows to show the directions for arrangement of doors.



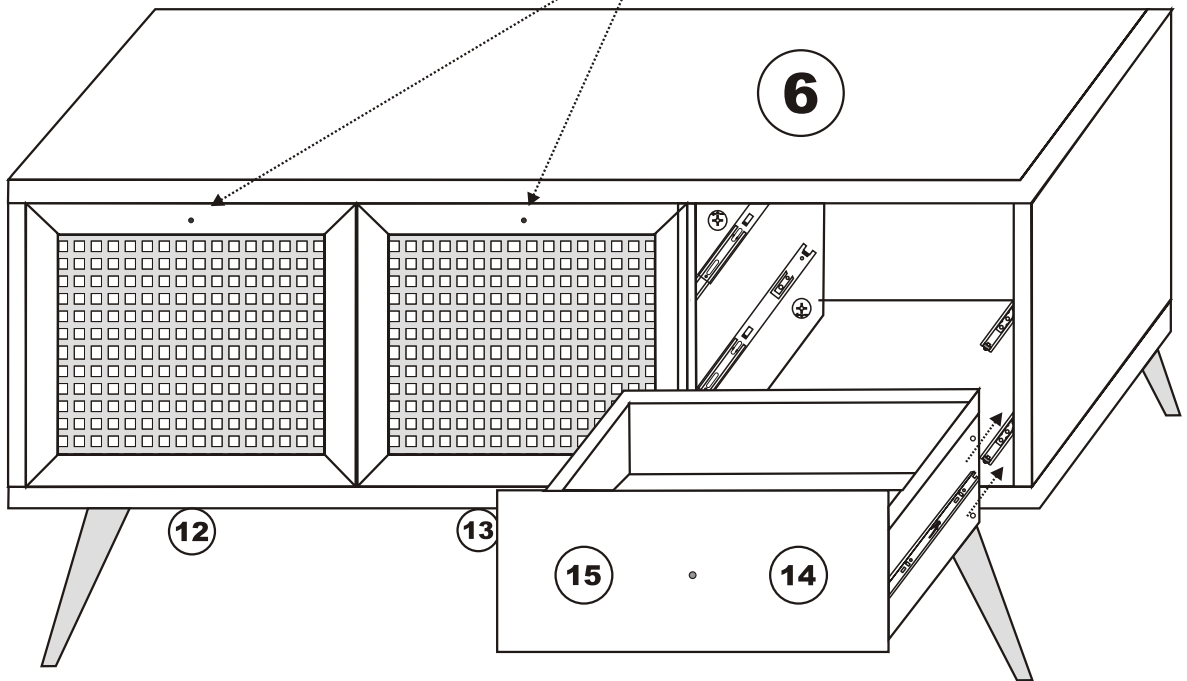
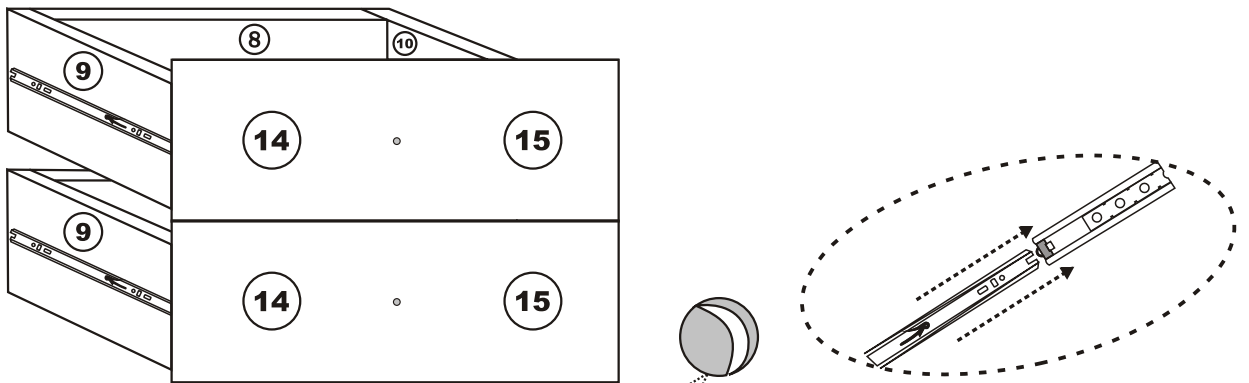
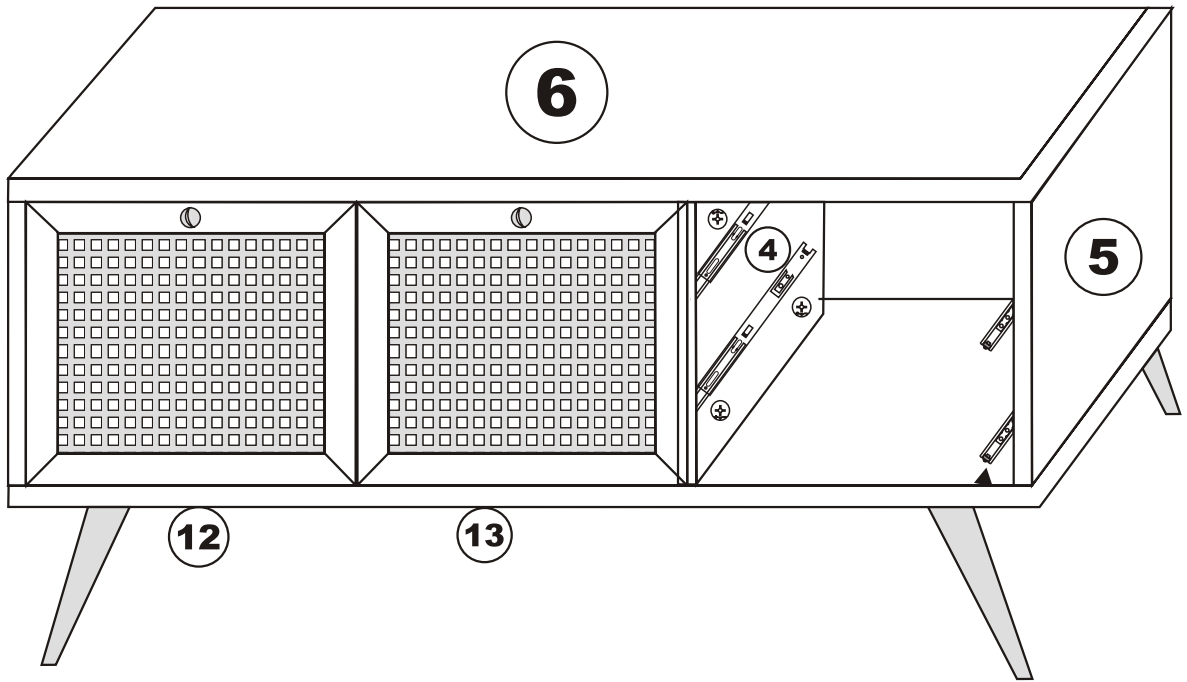


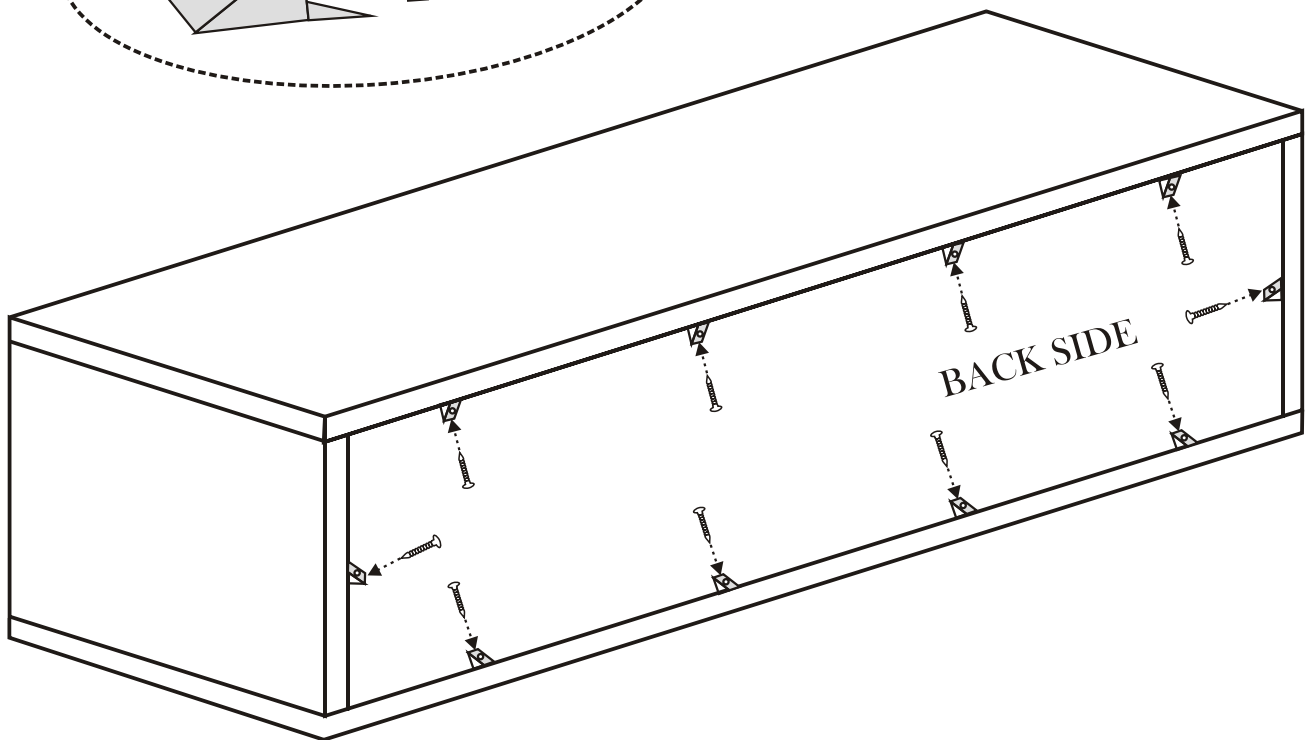
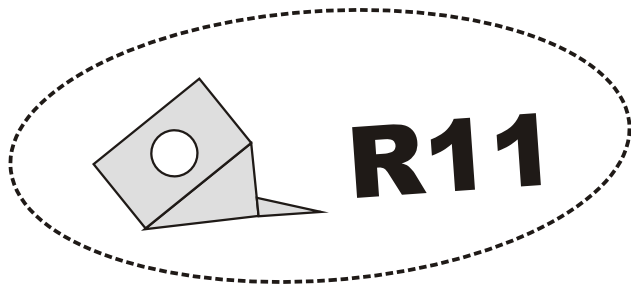






10





Fix the plastic parts included in the accessory pack to all corniture as shown in the picture .

This process will prevent any imbalance that may be caused by an uneven surface and it will provide alonger lasting, comfortable use .