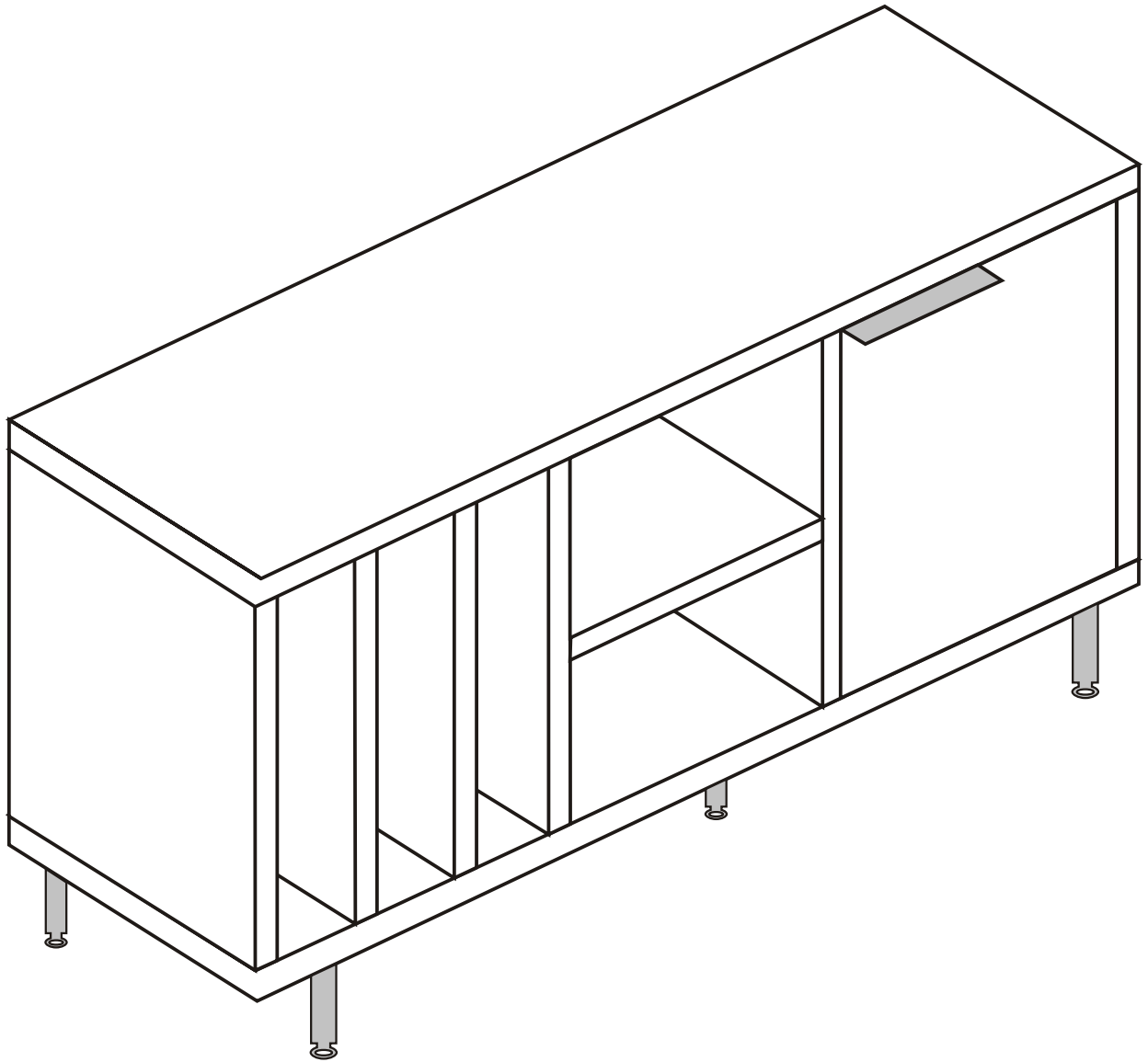


TV STAND

Assembly Manual

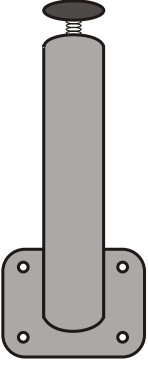
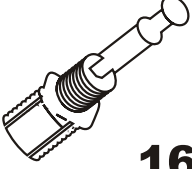

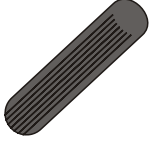


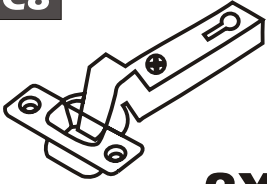
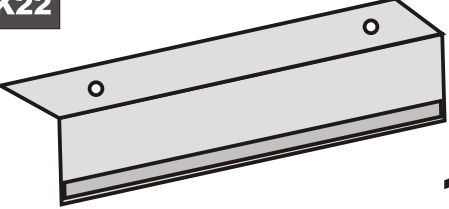

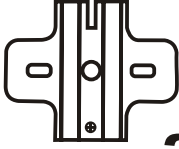


Kalune Design
Furniture

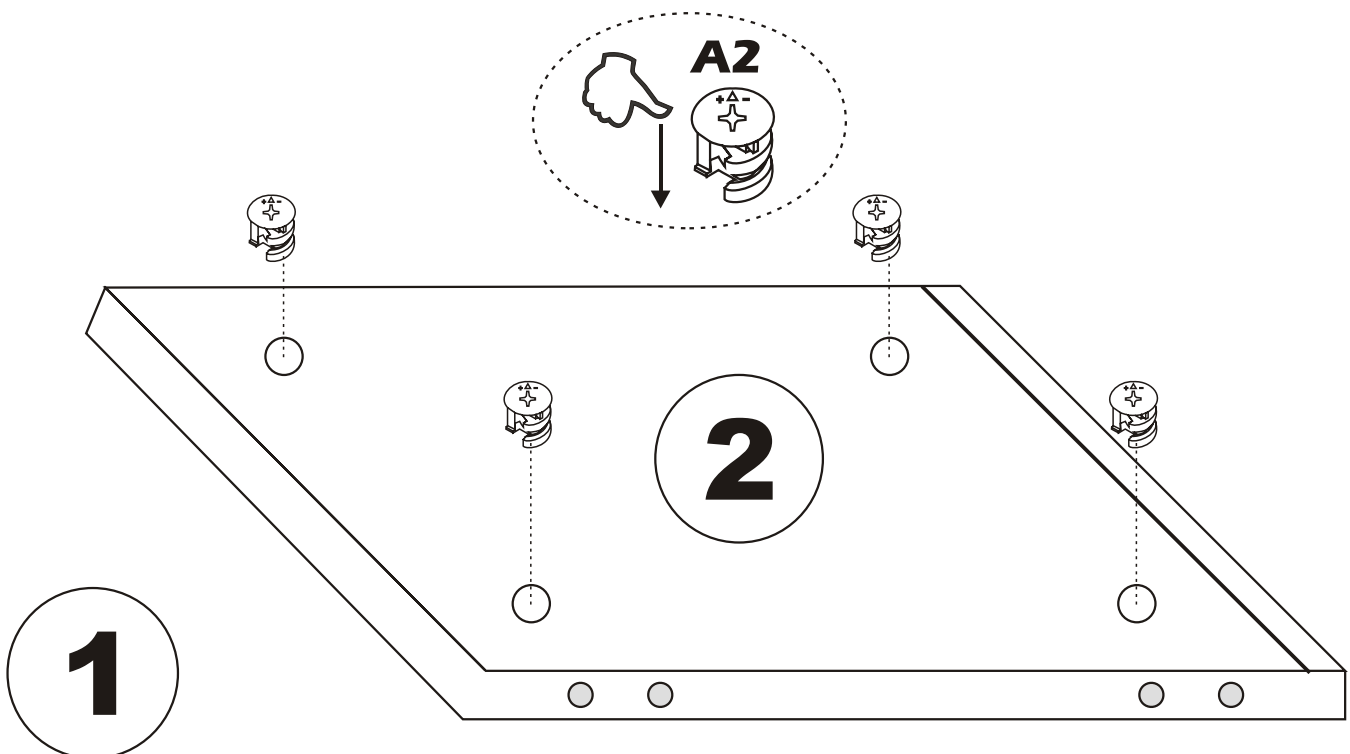
ATTENTION !!

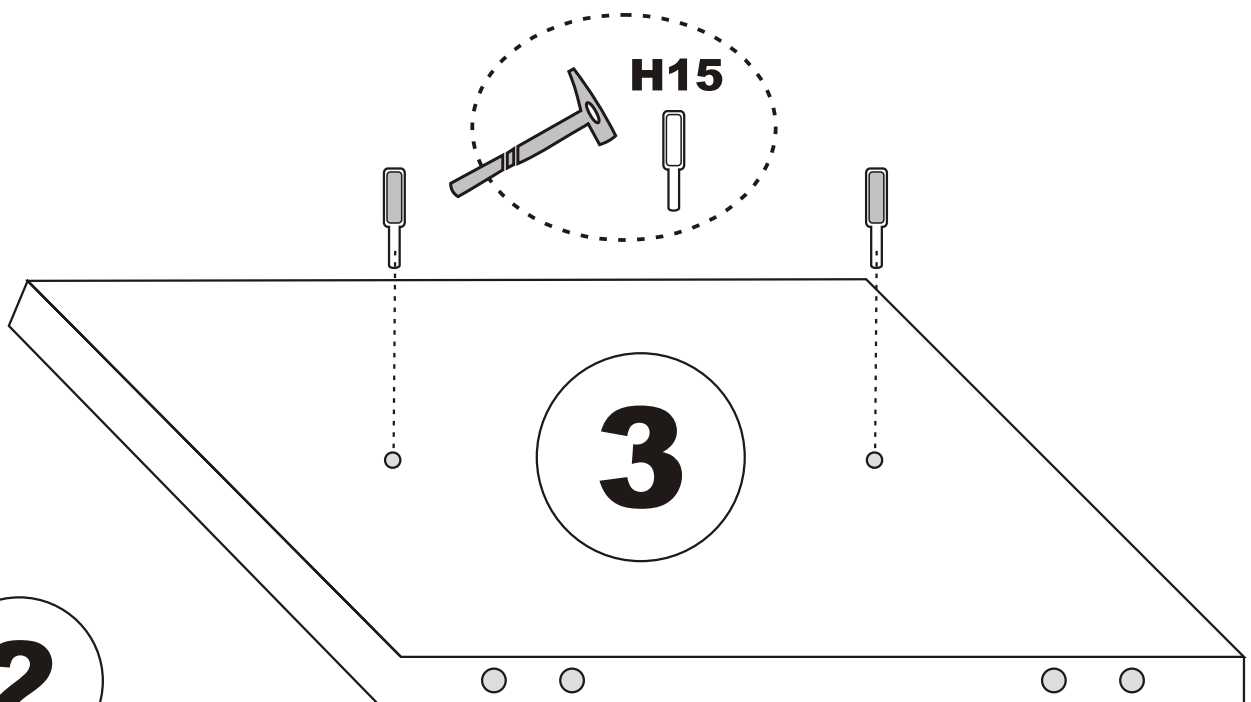
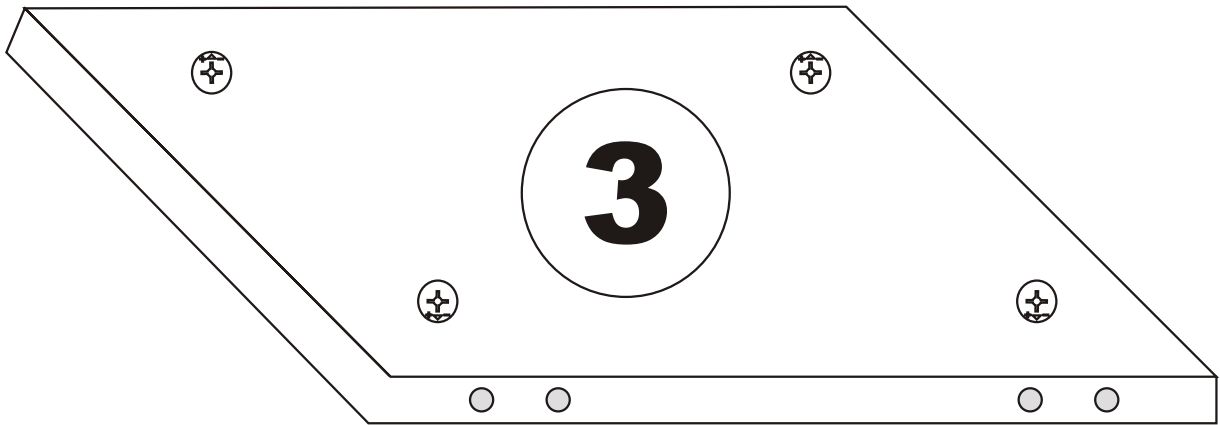
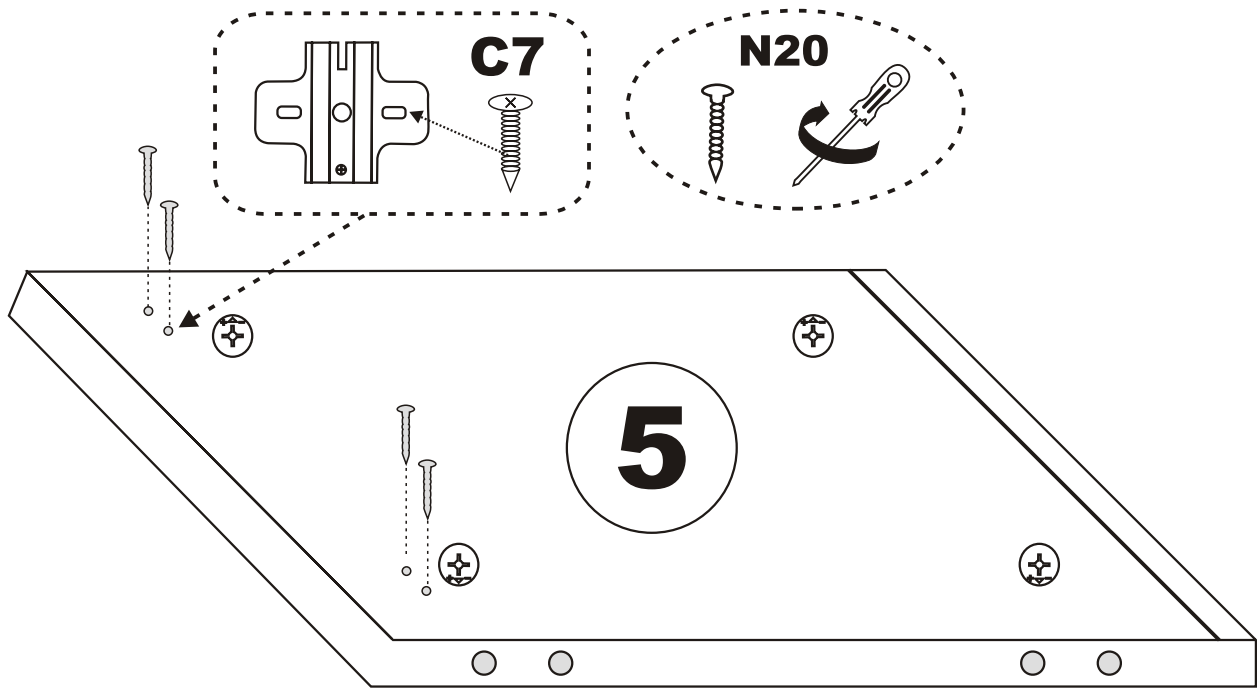
Minifix is the main connection material used in Decortile products ,
Before starting assembly , Please check the drawings below

Accessory List

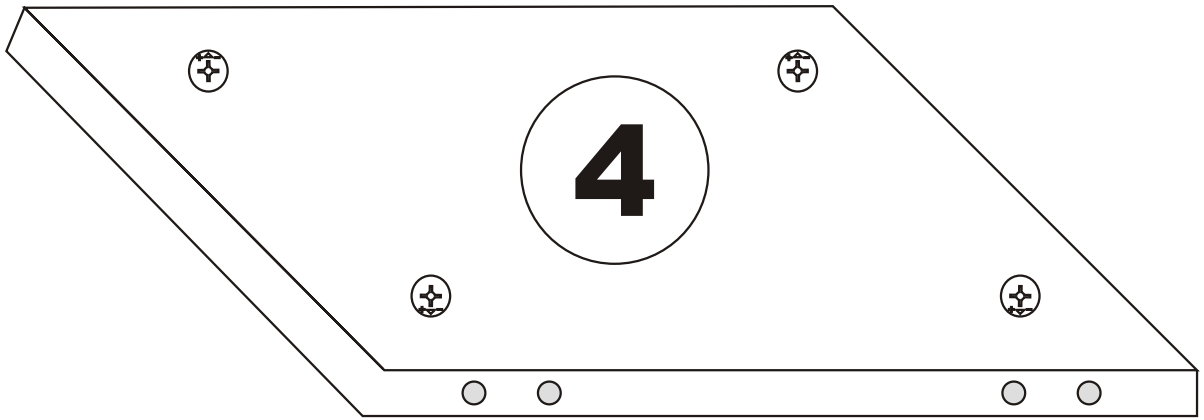
B10  5X	A1 Minifix  16X	A2 Minifix  16X	A3  24X
	H15  4X	N20  42X	C8  2X
K22  1X		R11  12X	C7  2X

General view

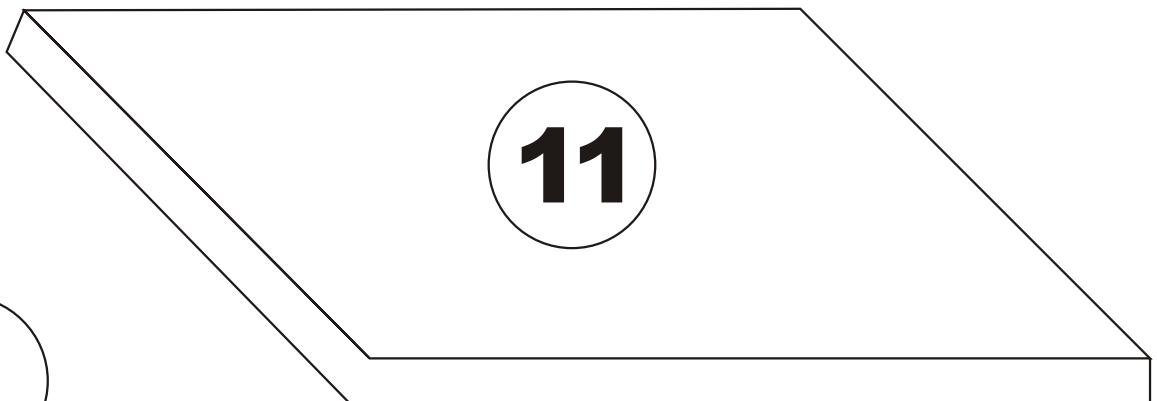
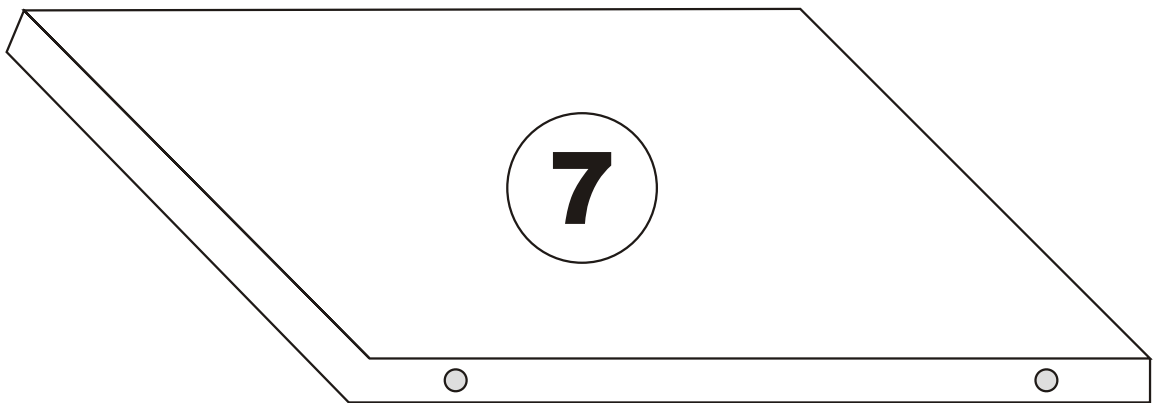
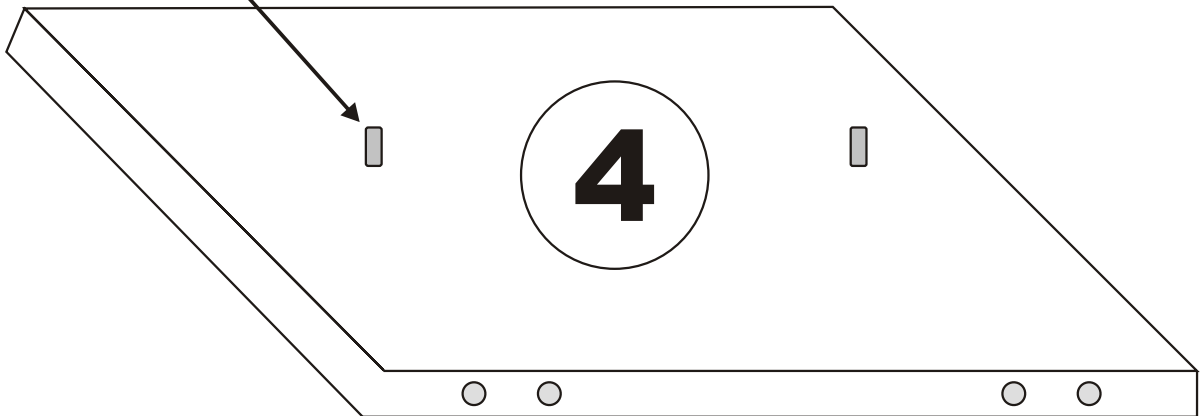


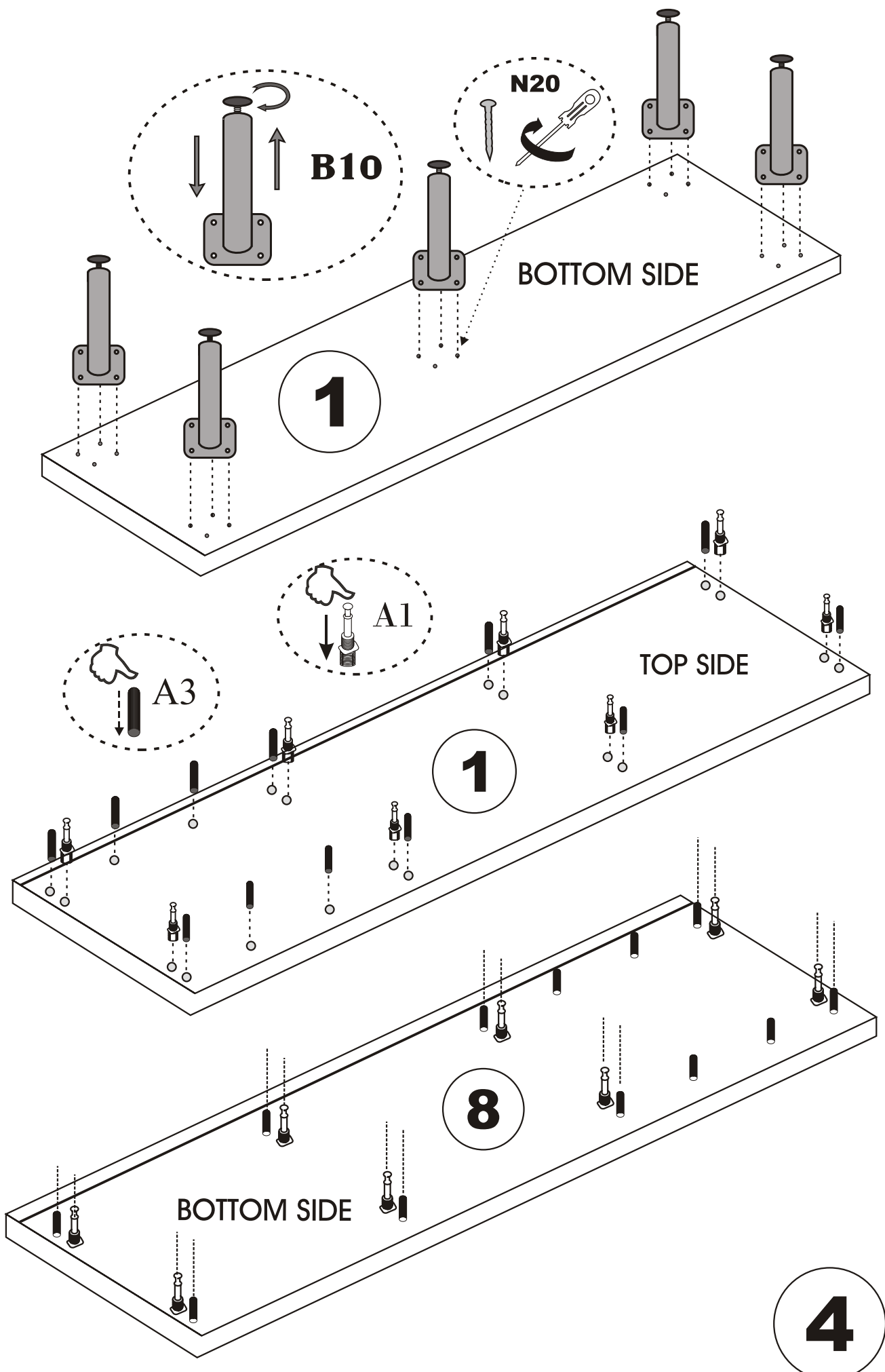


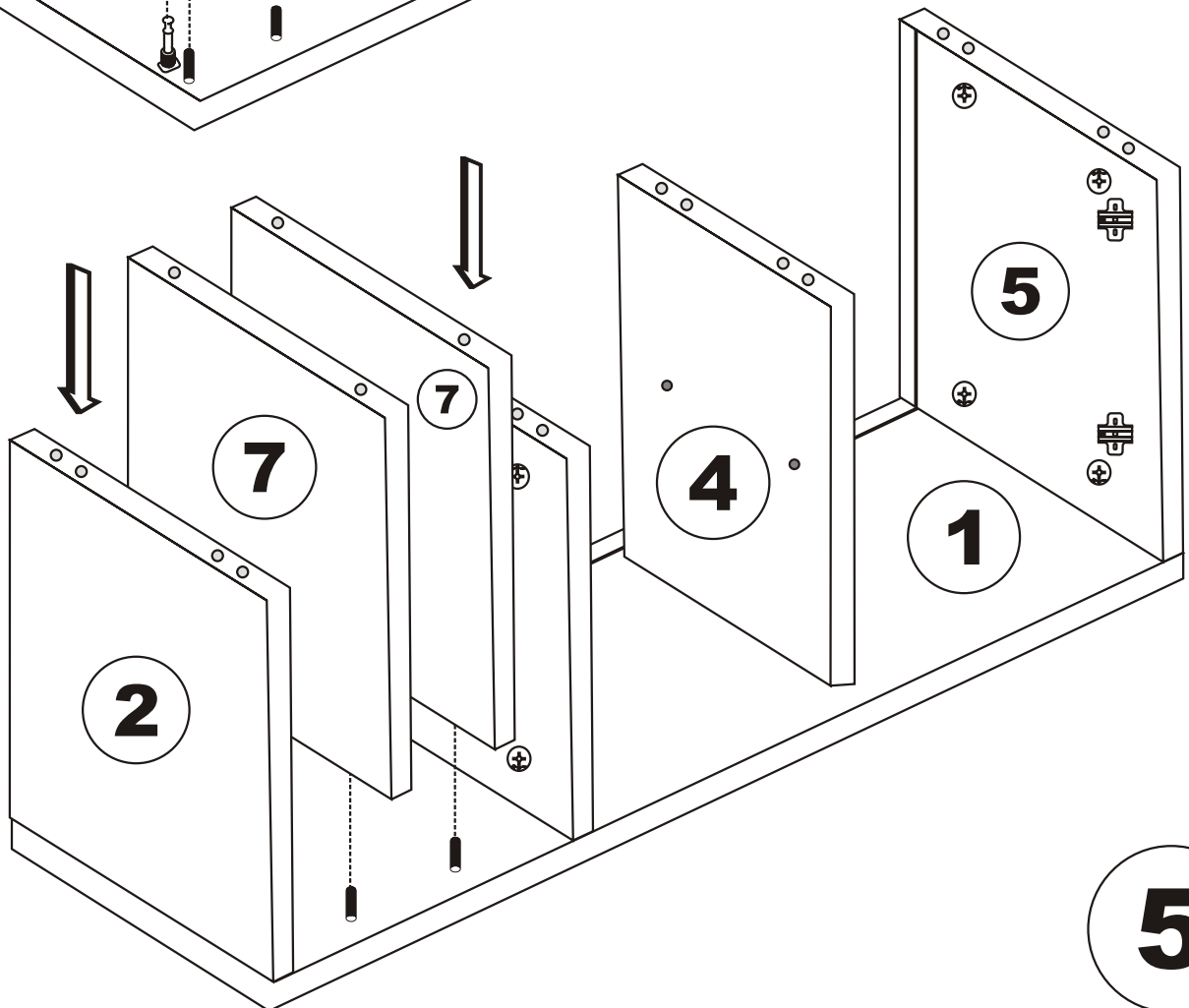
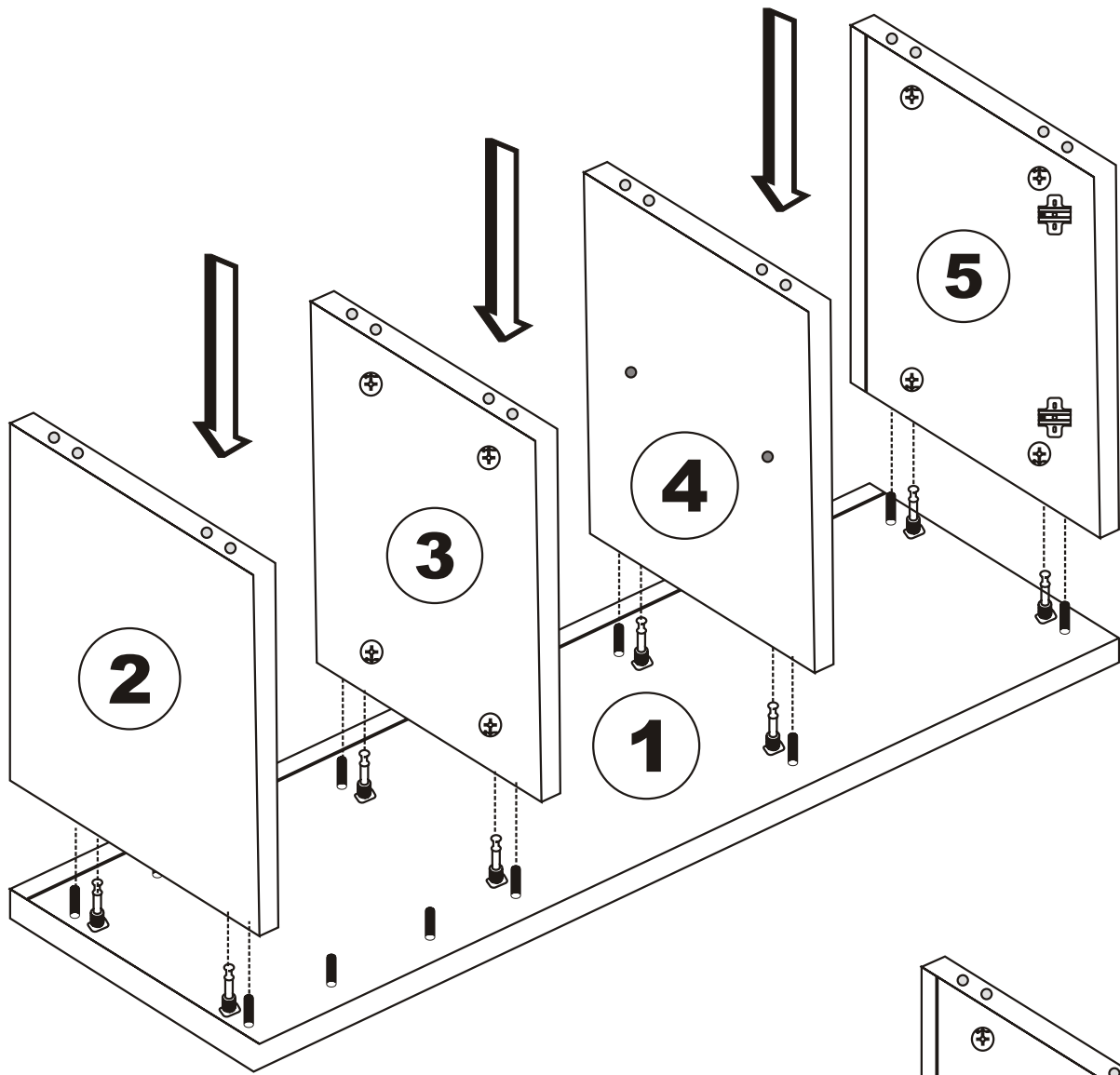
2

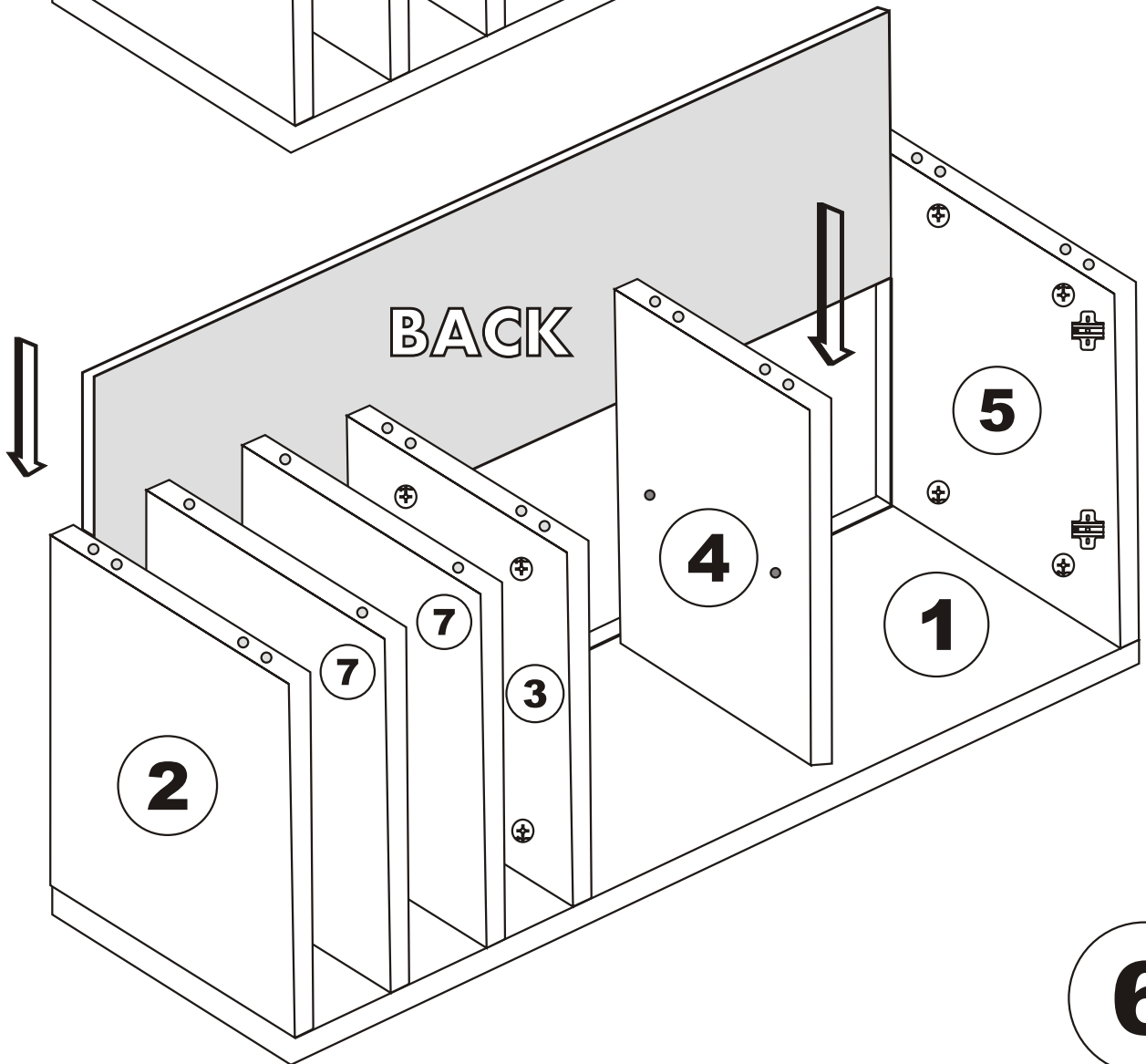
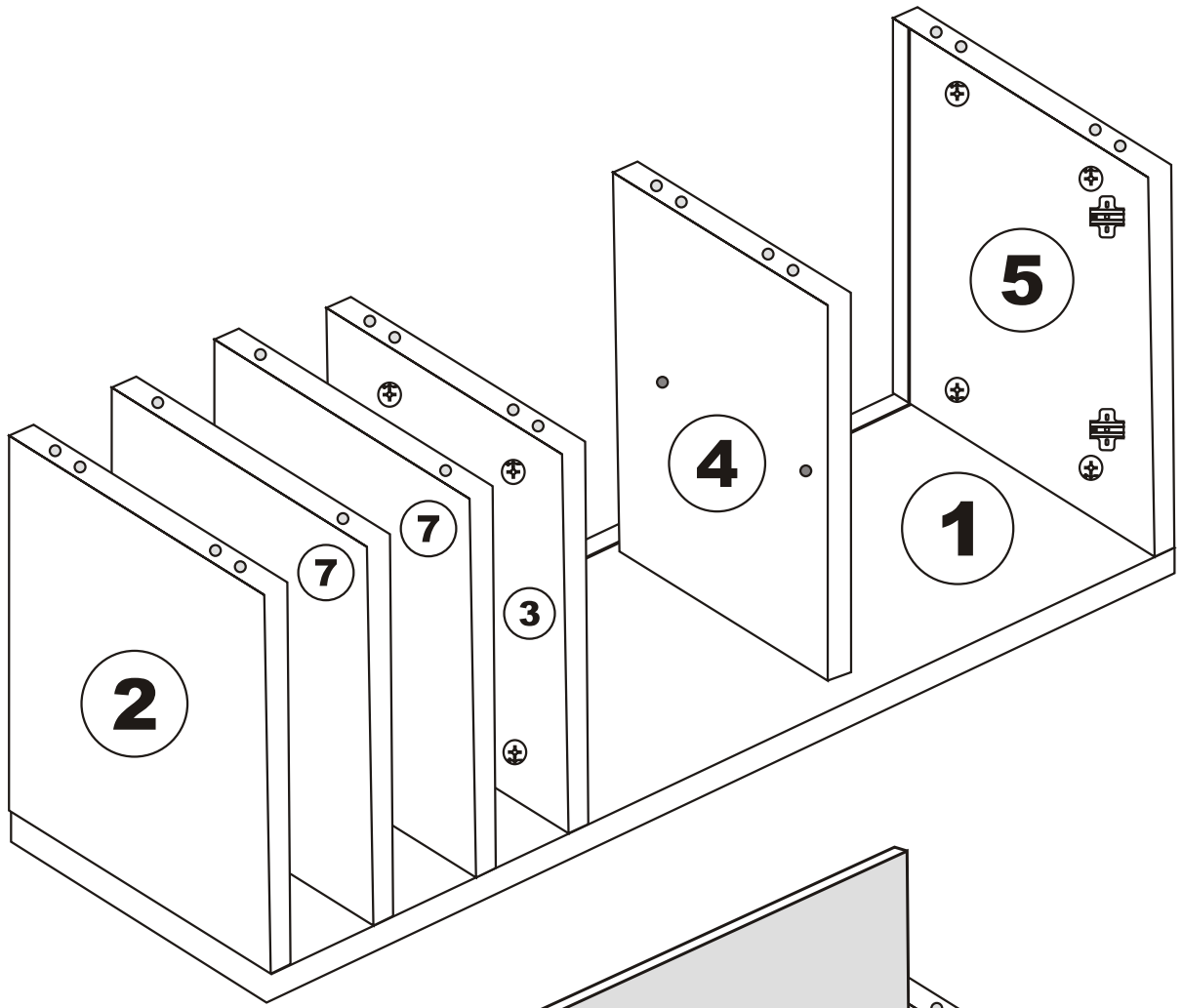


H15

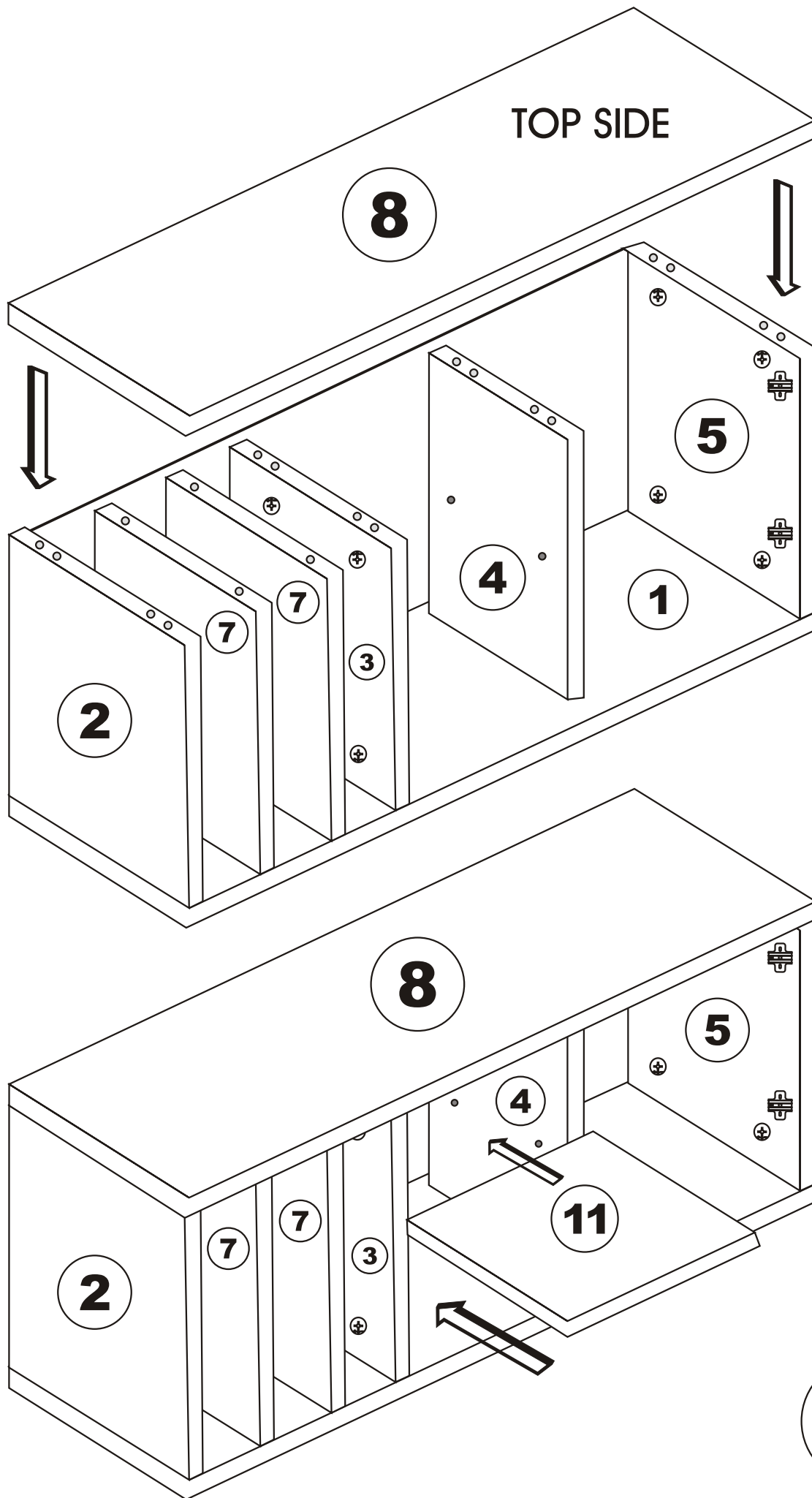


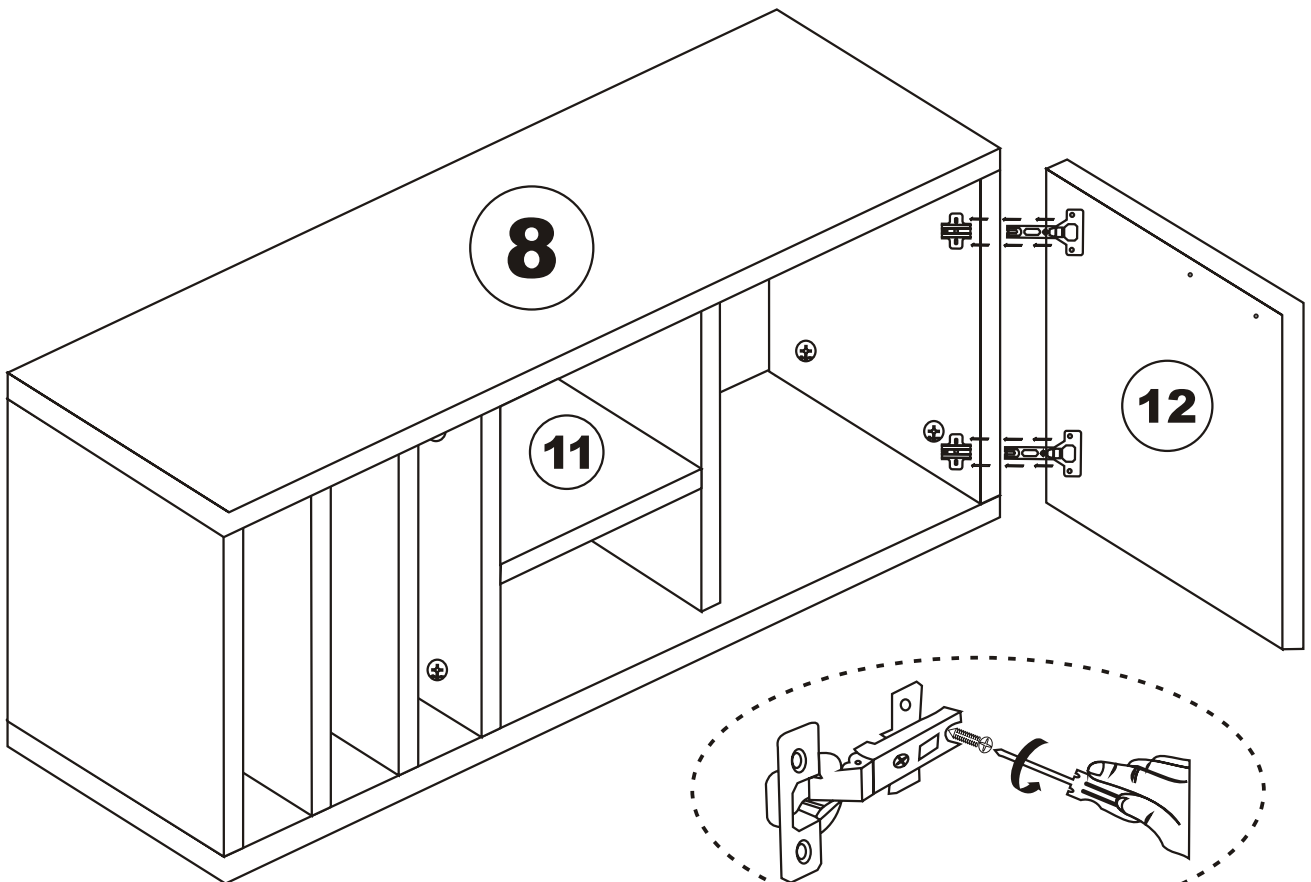
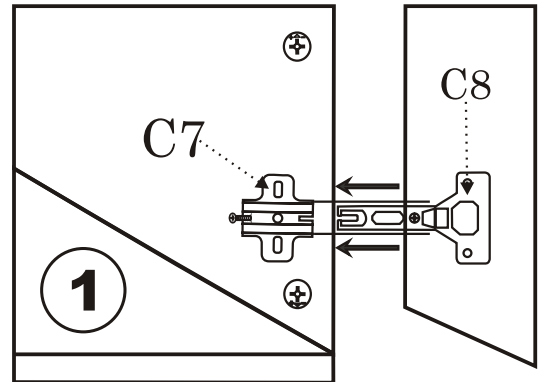
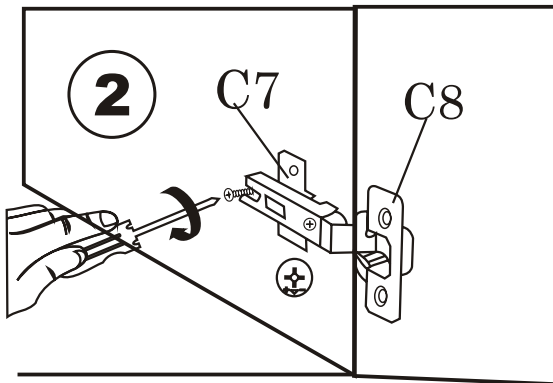
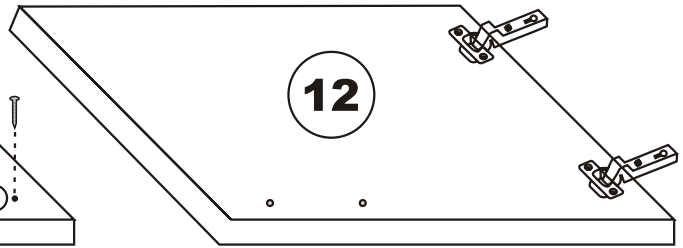
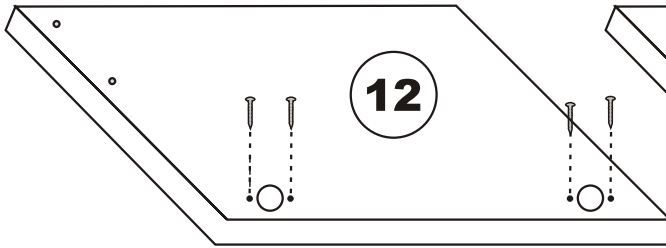
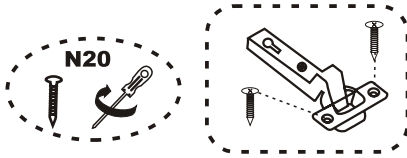




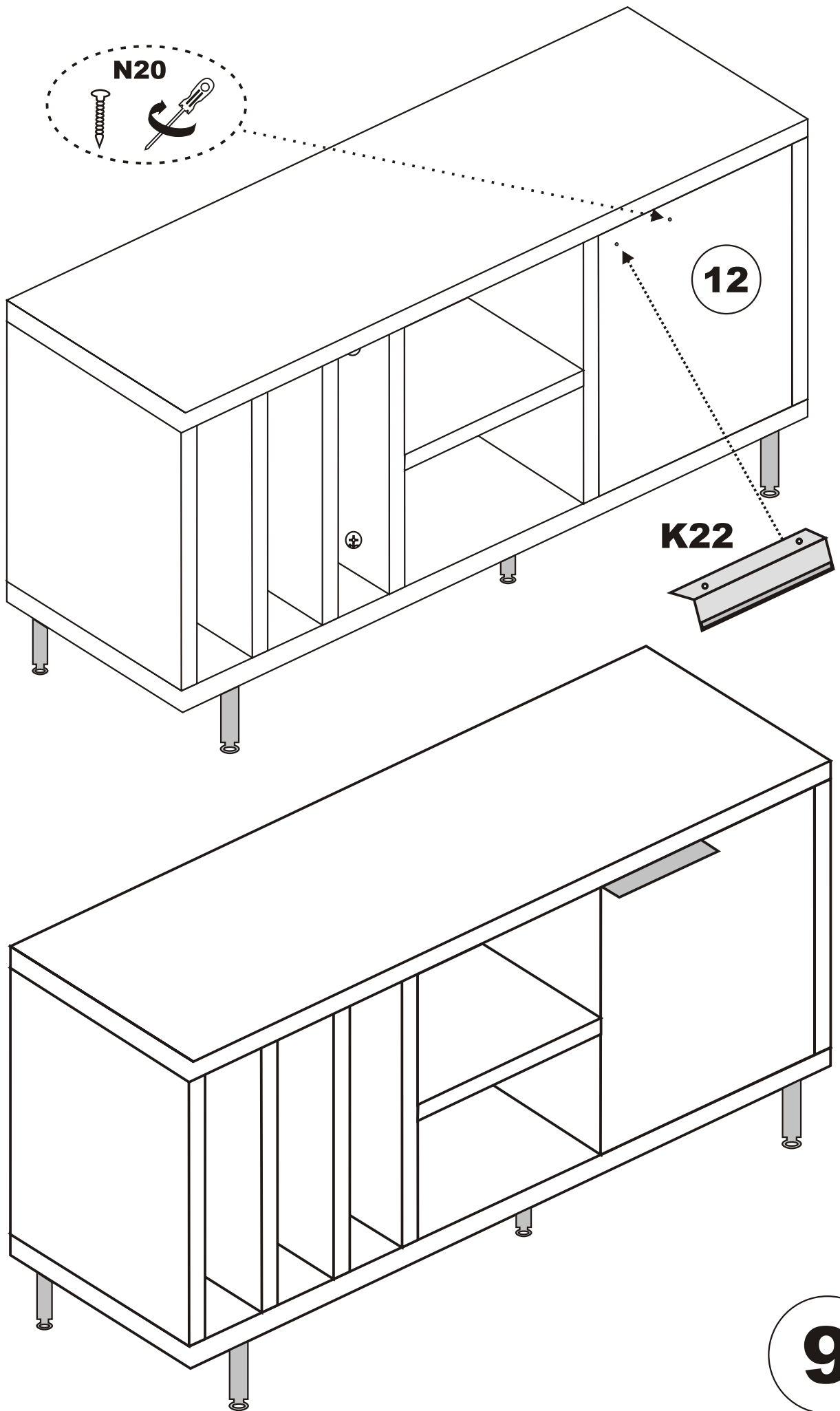


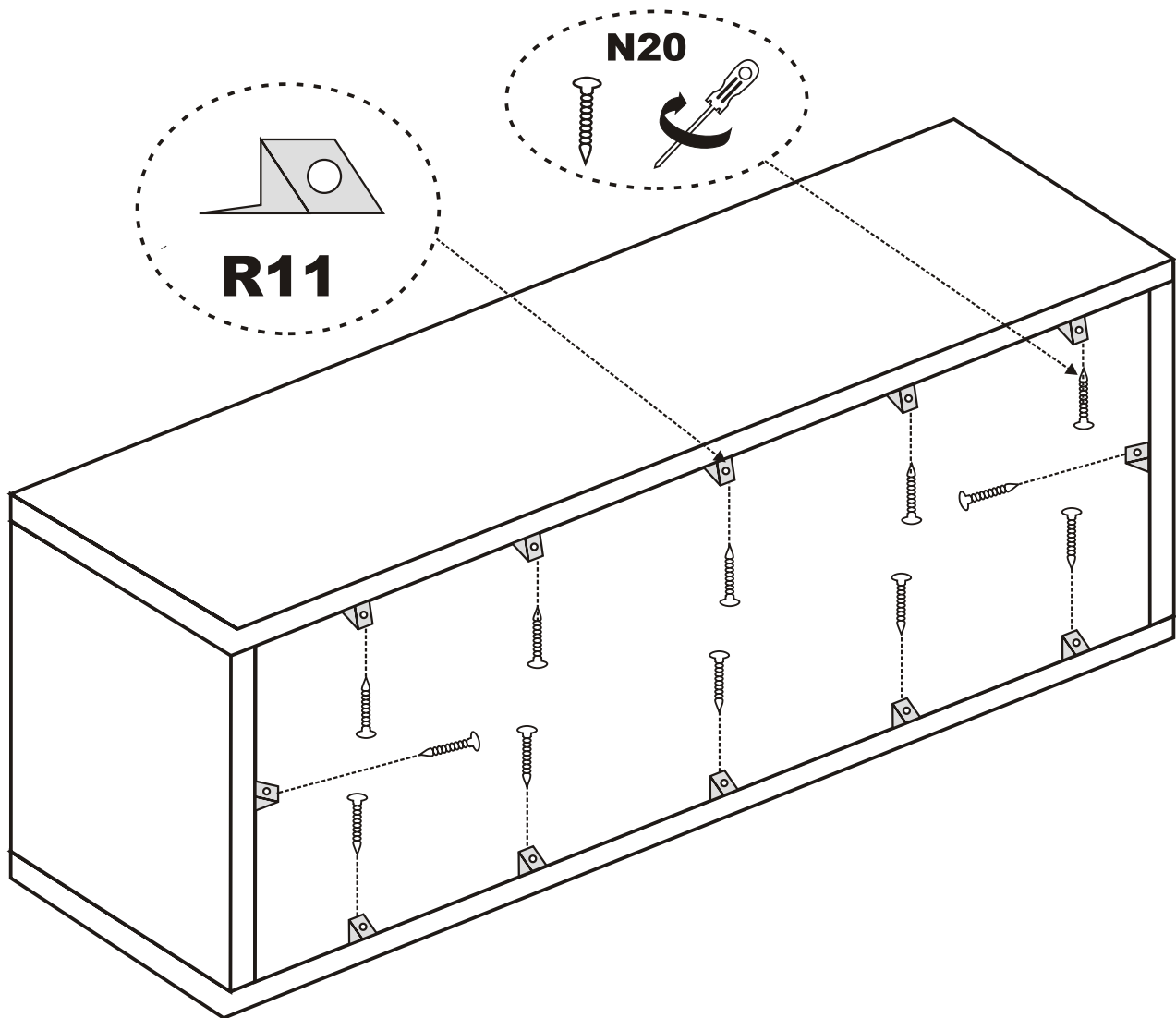
6





8





FIX THE PLASTIC PARTS INCLUDED IN THE ACCESSORY PACK TO ALL CORNITURE AS SHOWN IN THE PICTURE .

THIS PROCESS WILL PREVENT ANY IMBALANCE THAT MAY BE CAUSED BY AN UNEVEN SURFACE AND IT WILL PROVIDE ALONGER LASTING ; COMFORTAABLE USE .

A1