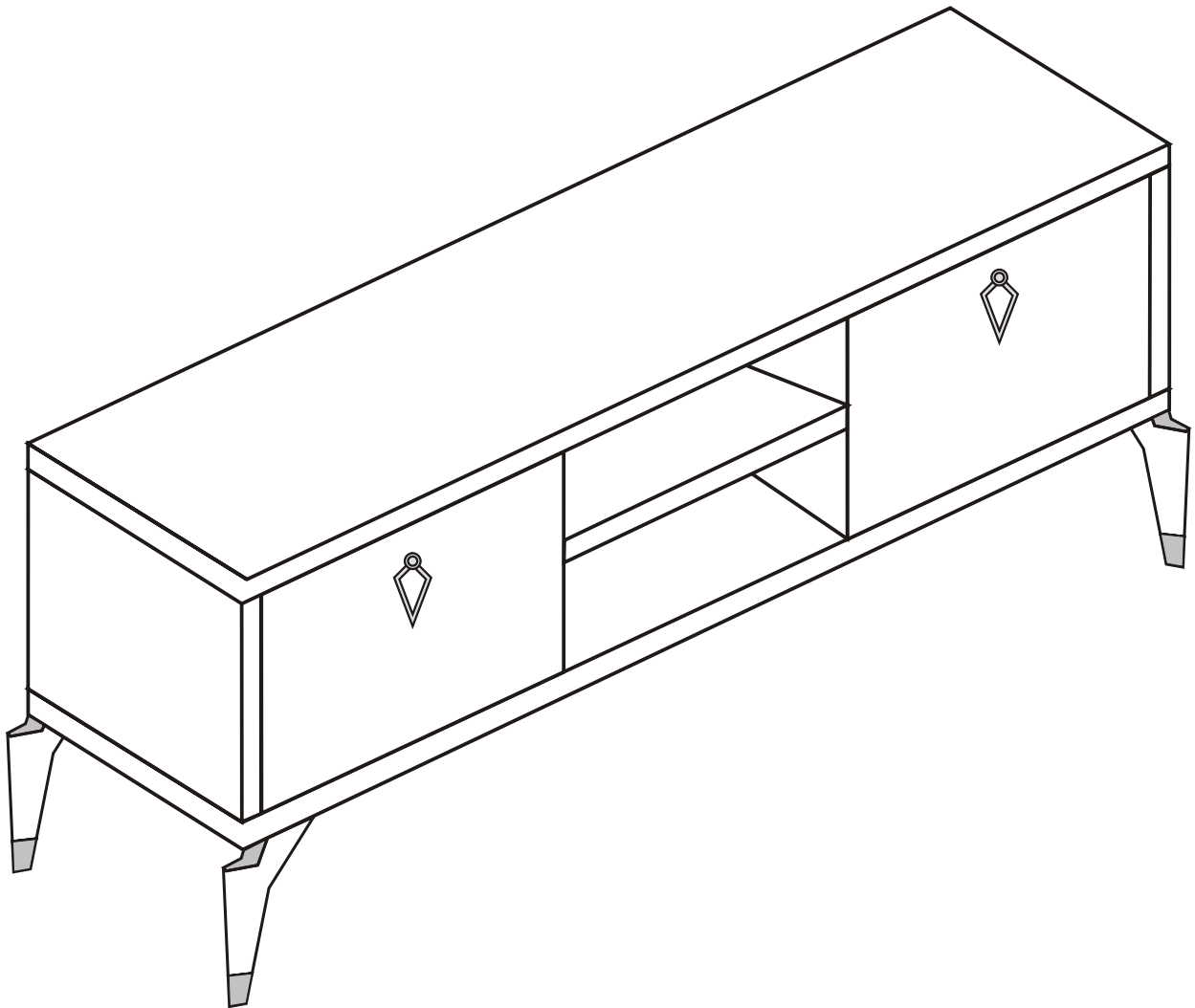


POSH TV STAND

Assembly Manual



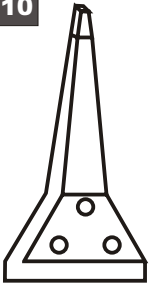



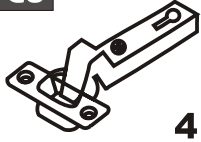

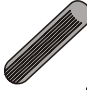





Kalune Design
Furniture

POSH . TV

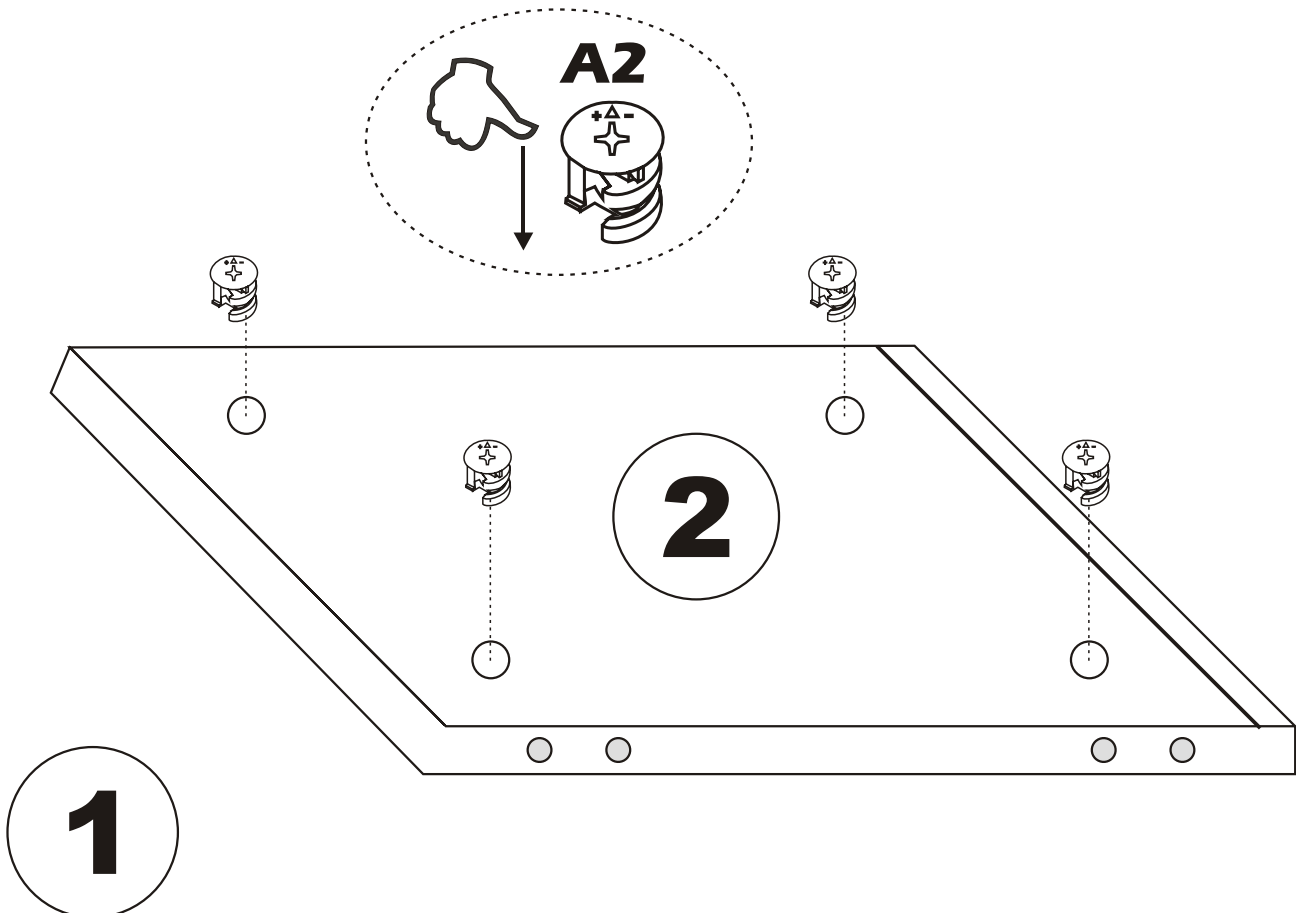
ATTENTION !!

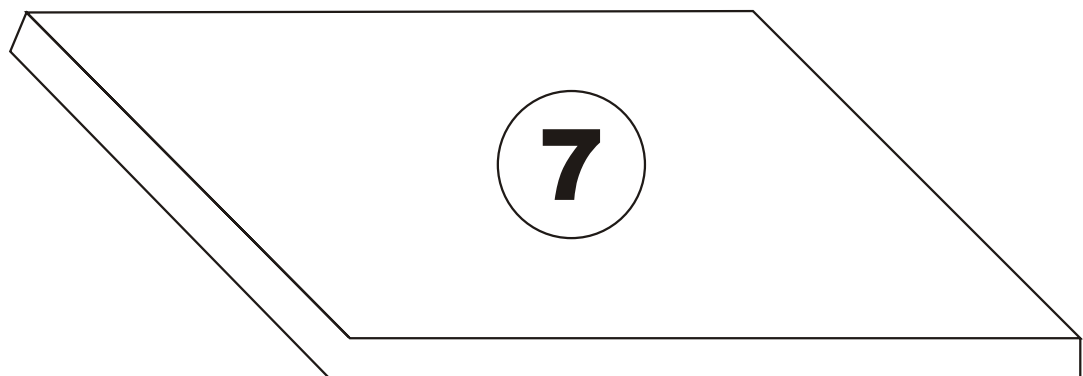
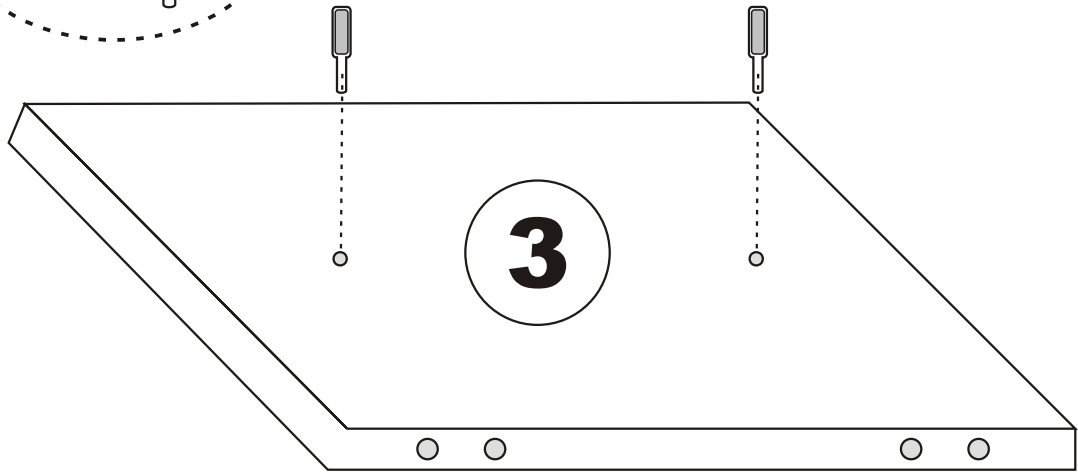
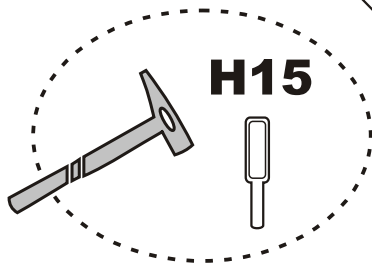
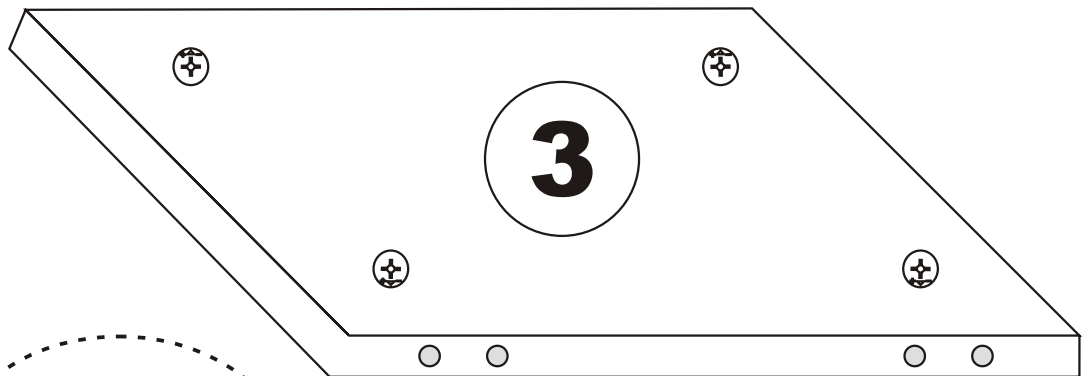
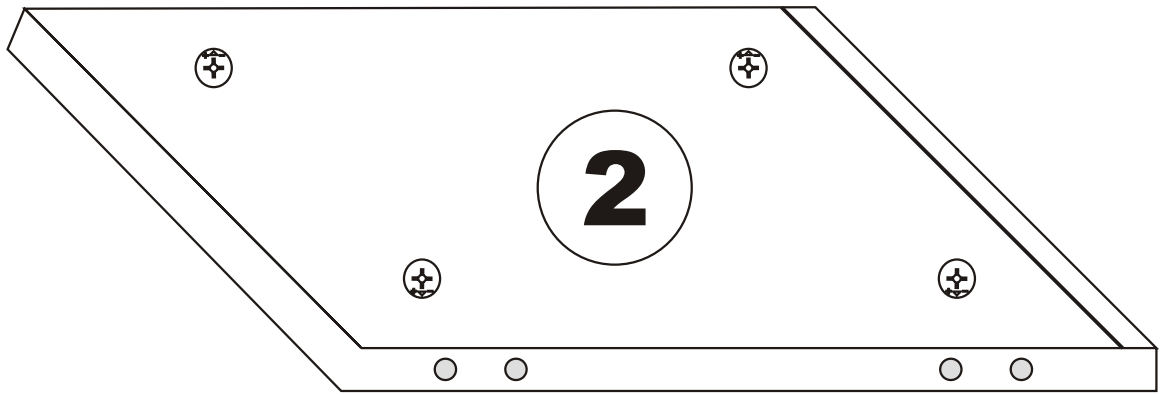
Minifix is the main connection material used in Decortile products ,
Before starting assembly , Please check the drawings below

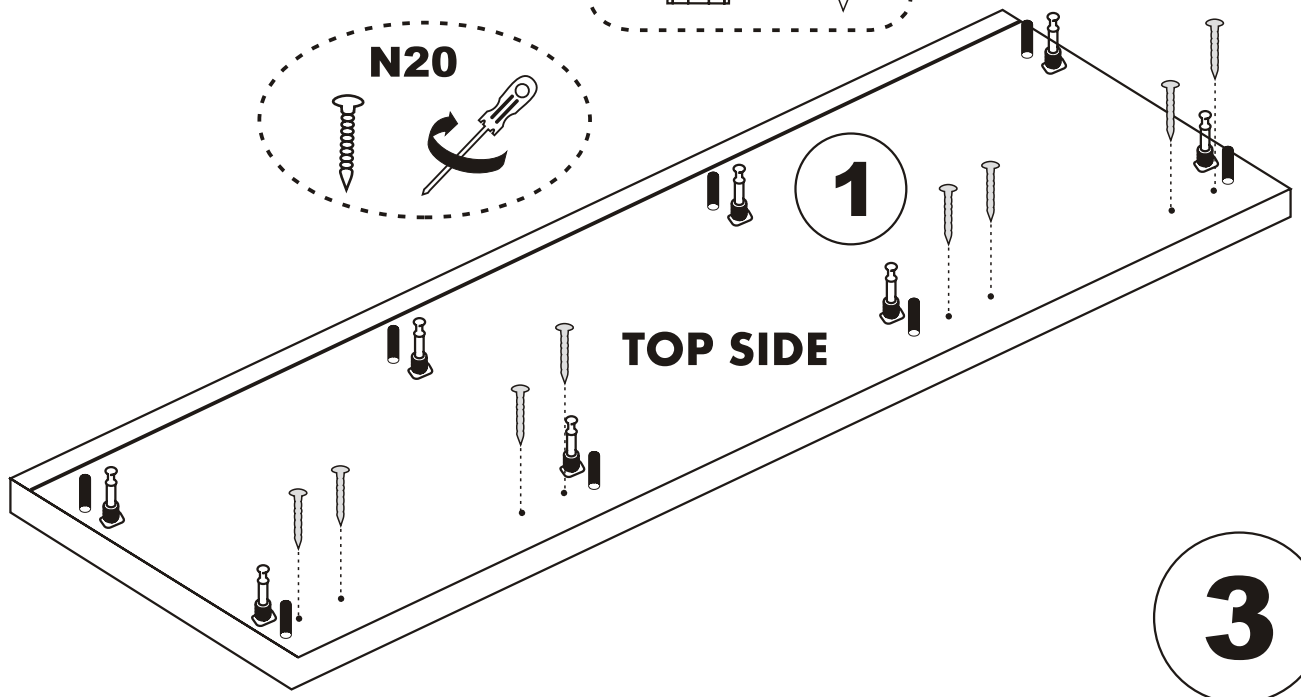
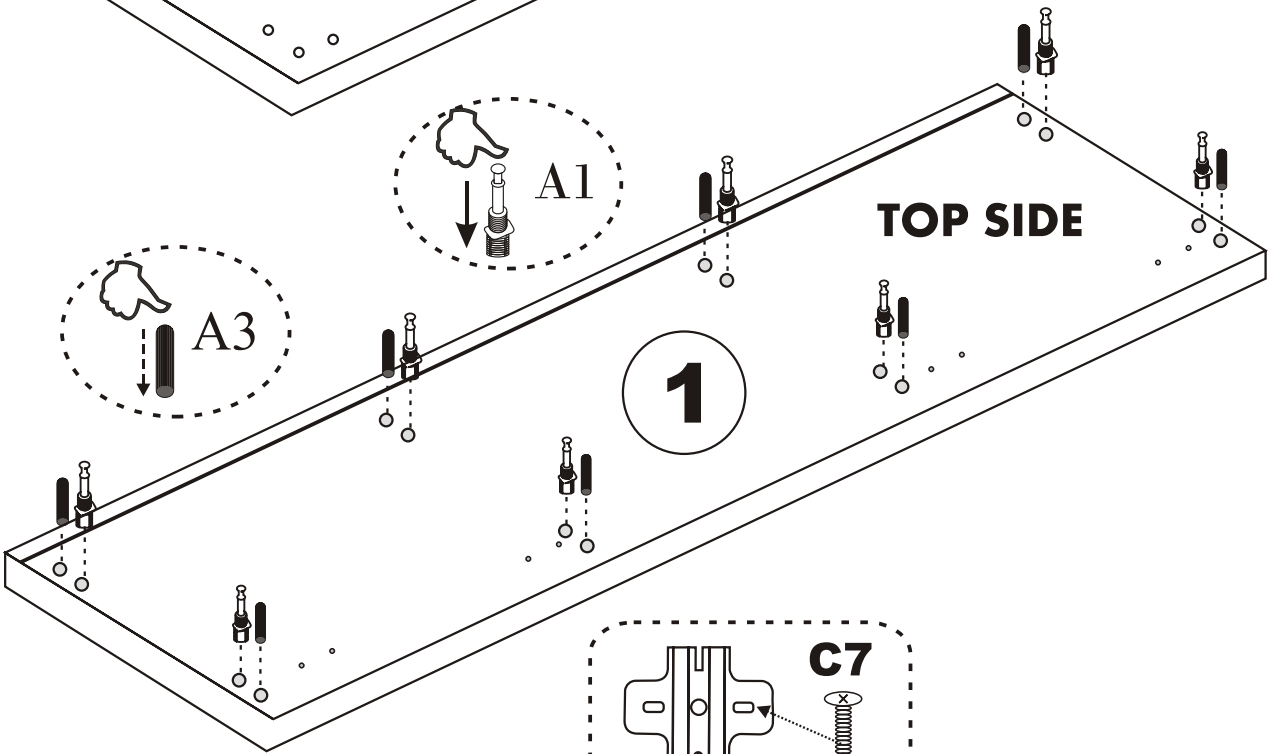
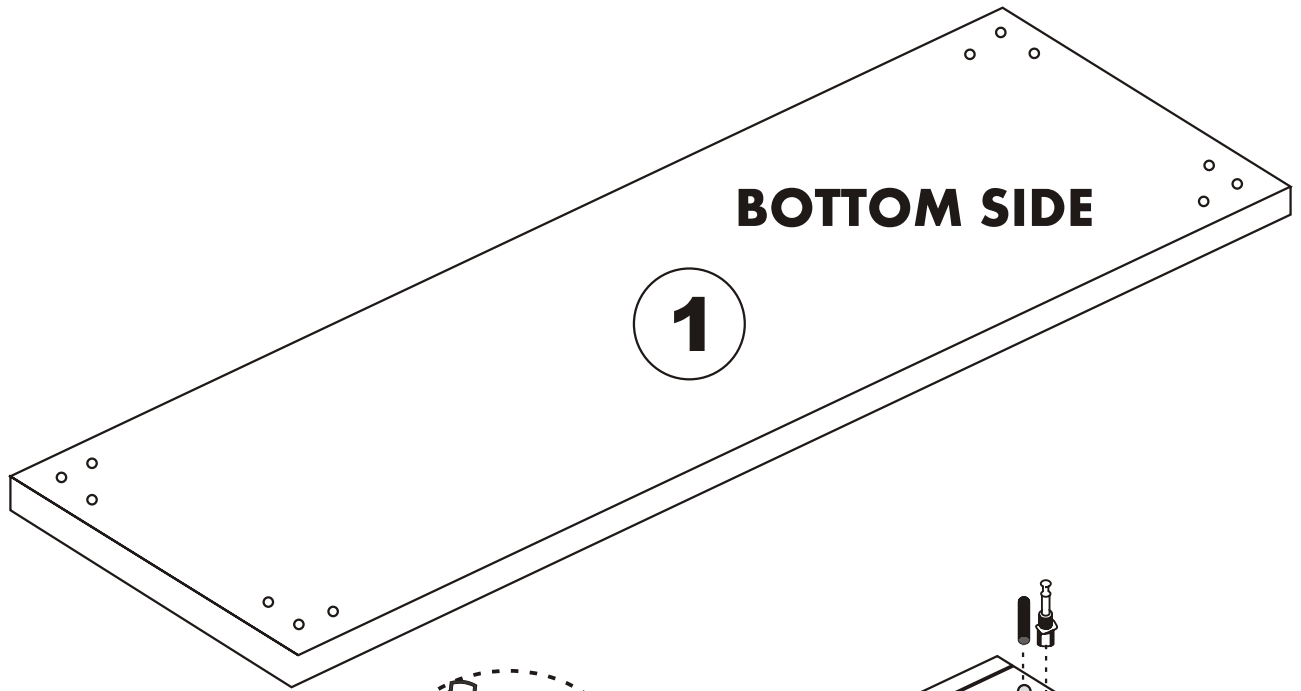
Accessory List

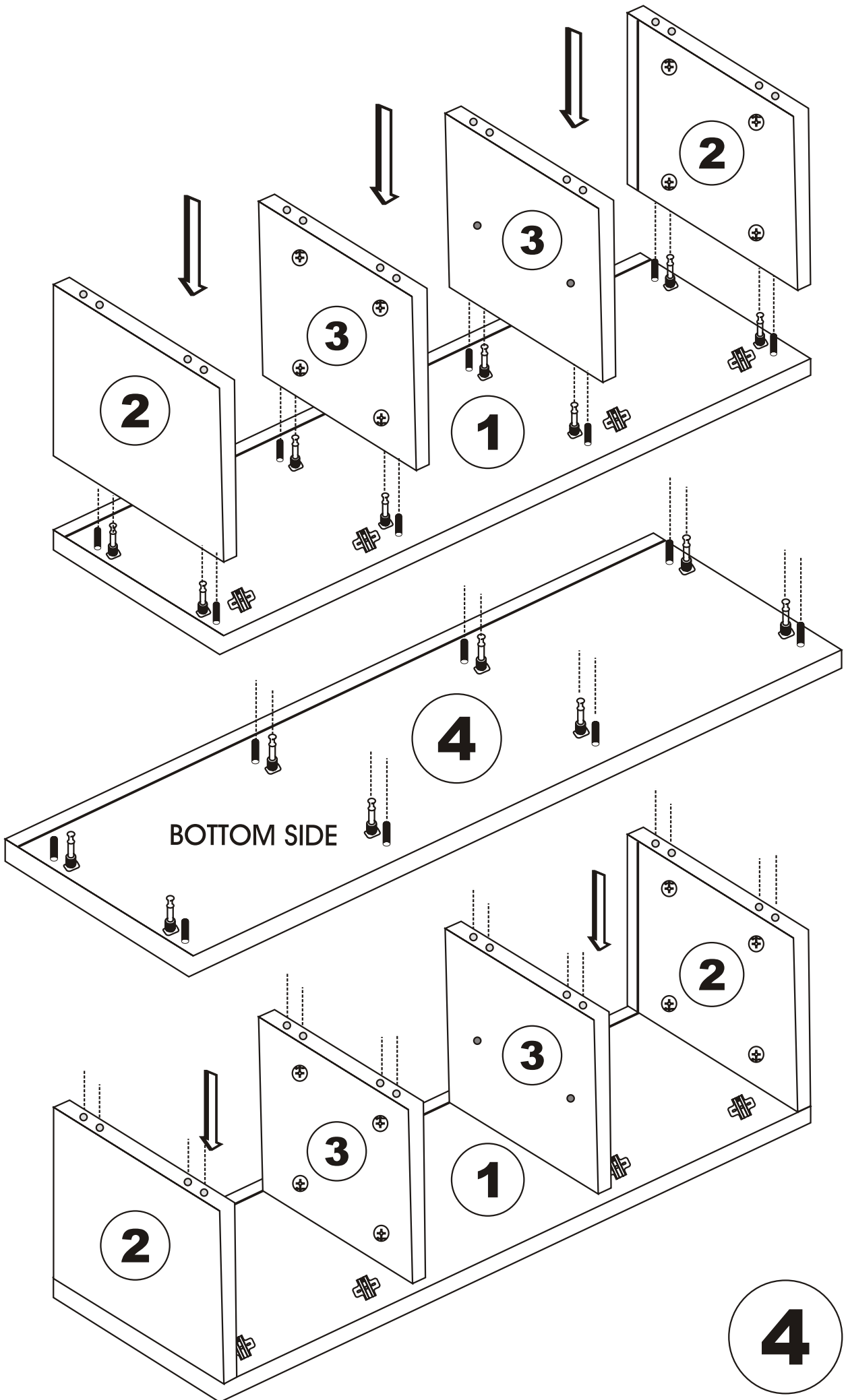
B10  4X	E01  2X	A1 Minifix  16X	A2 Minifix  16X	C8  4X
	K03  2X	A3  16X	N20  28X	C7  4X
	H15  4X		R11  12X	F16 4X 30 m  12X

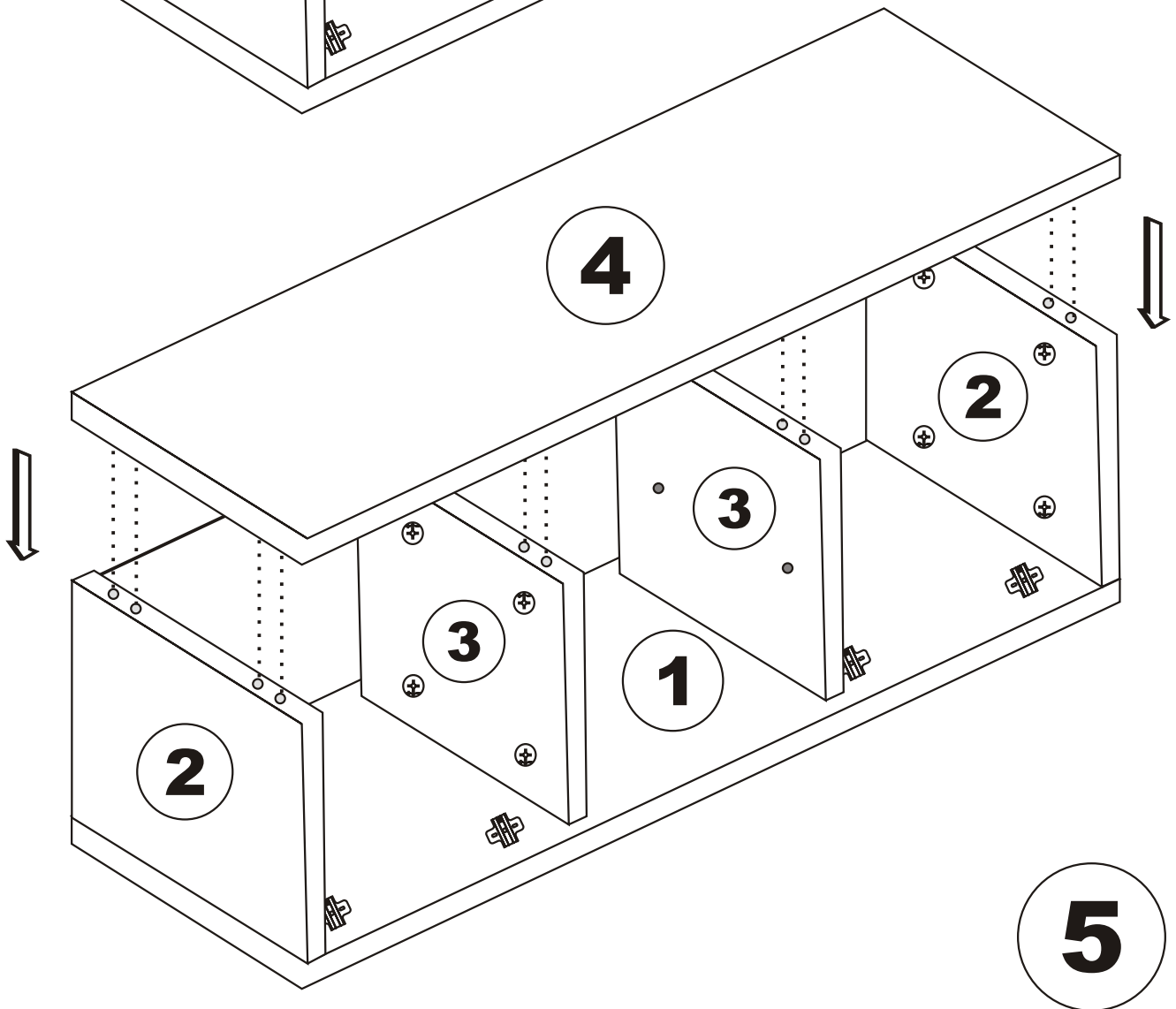
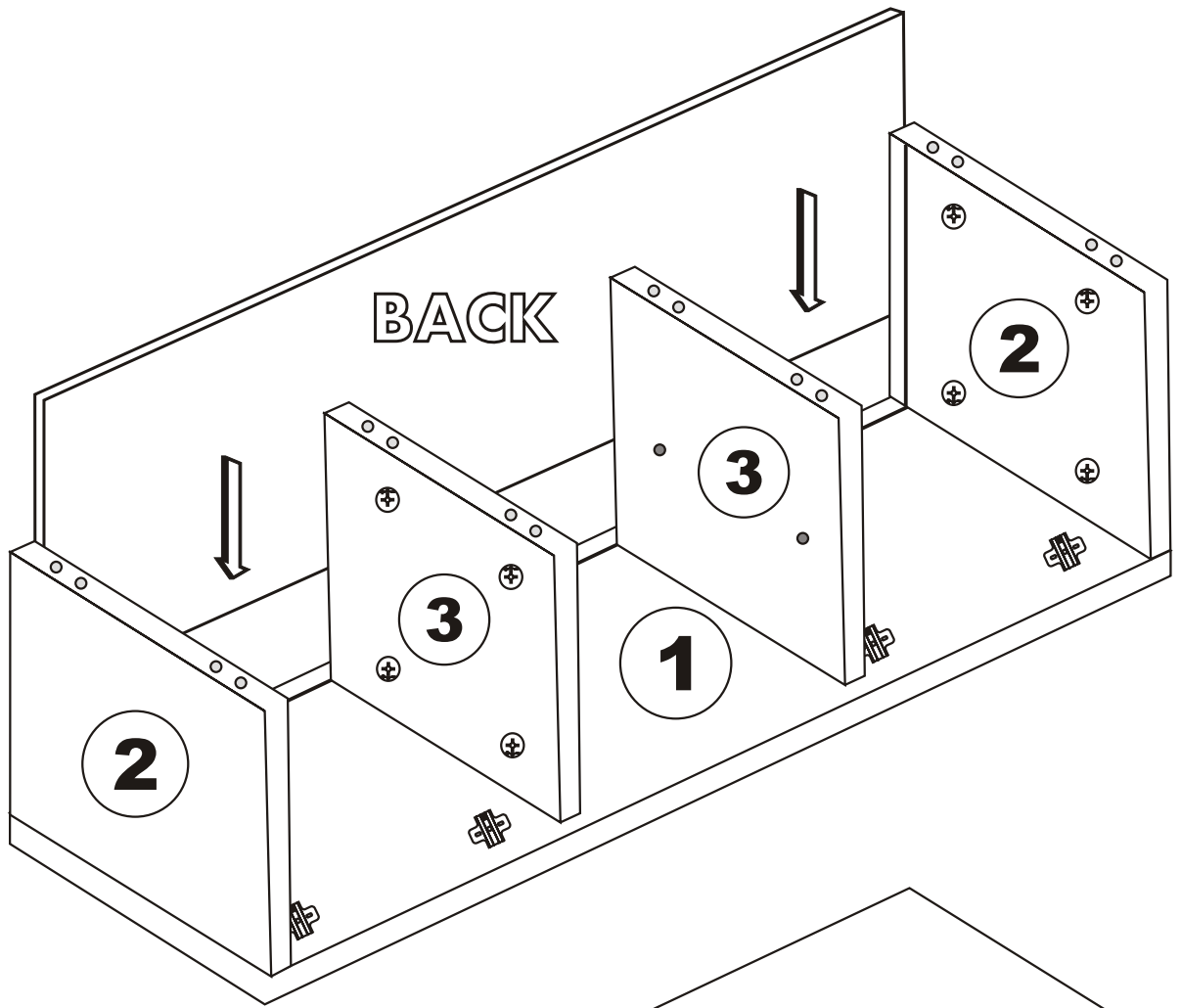
General view







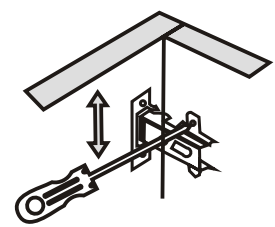
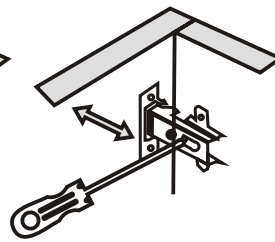
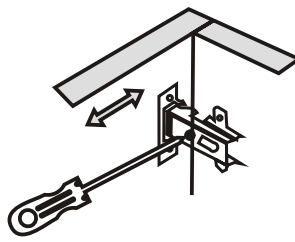
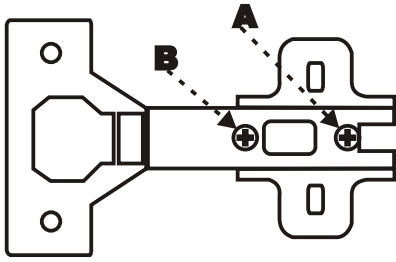




Settings of hinge

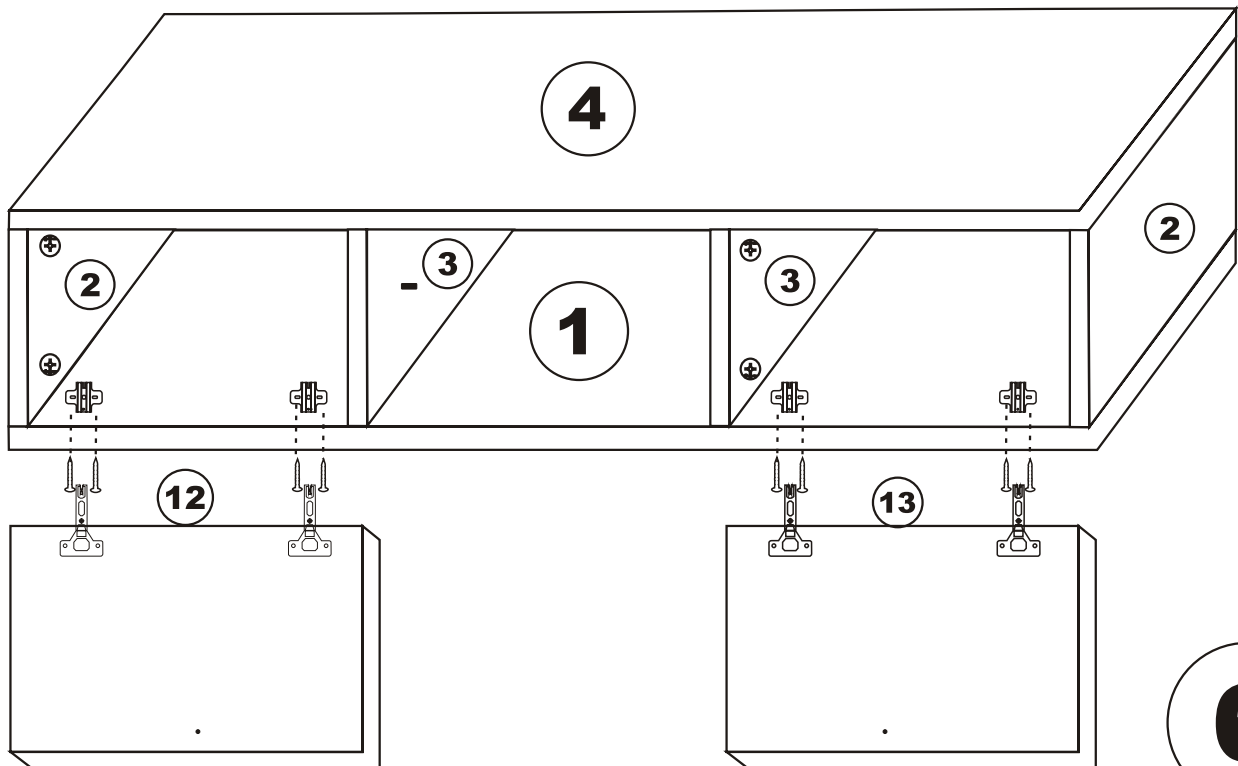
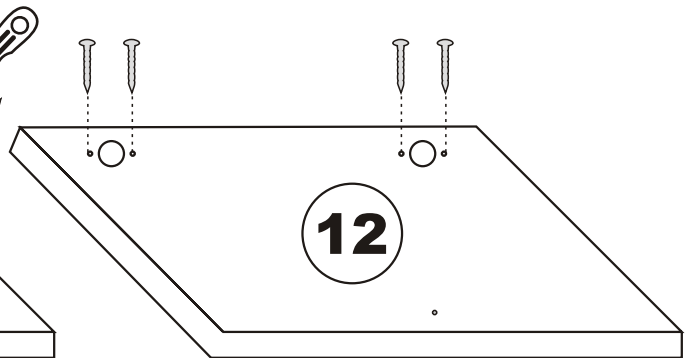
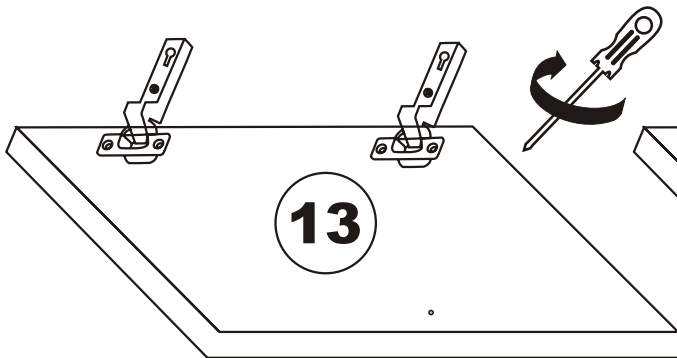
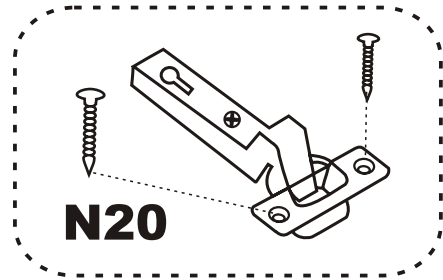
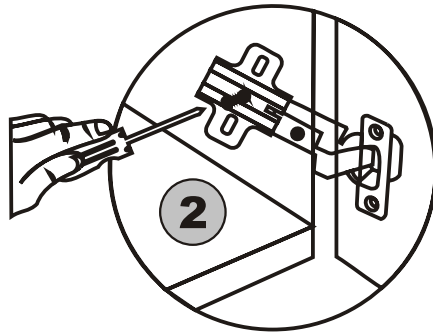
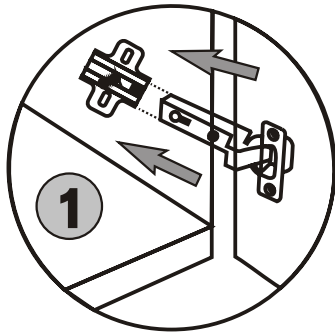
Settings of hinge

Settings of hinge

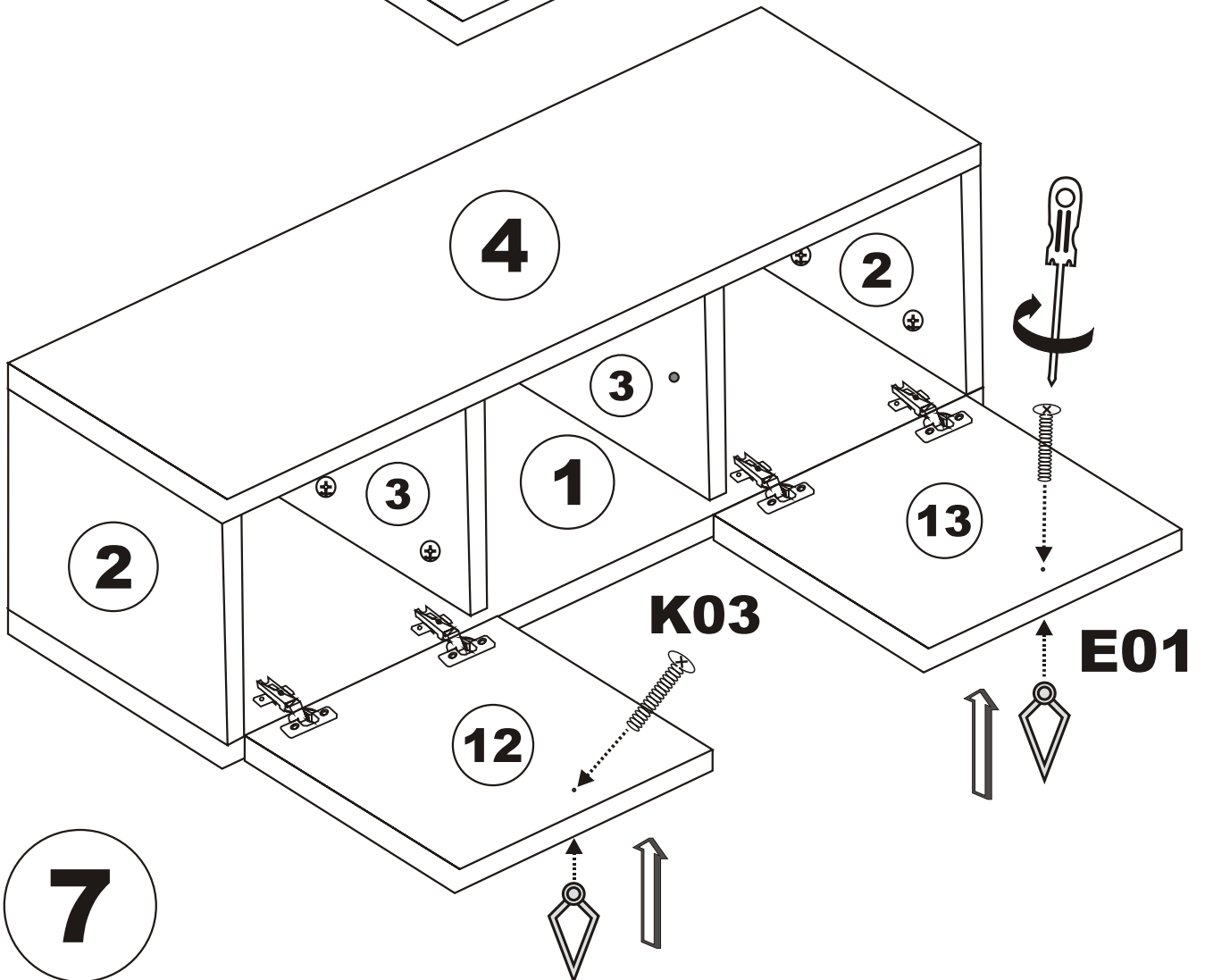
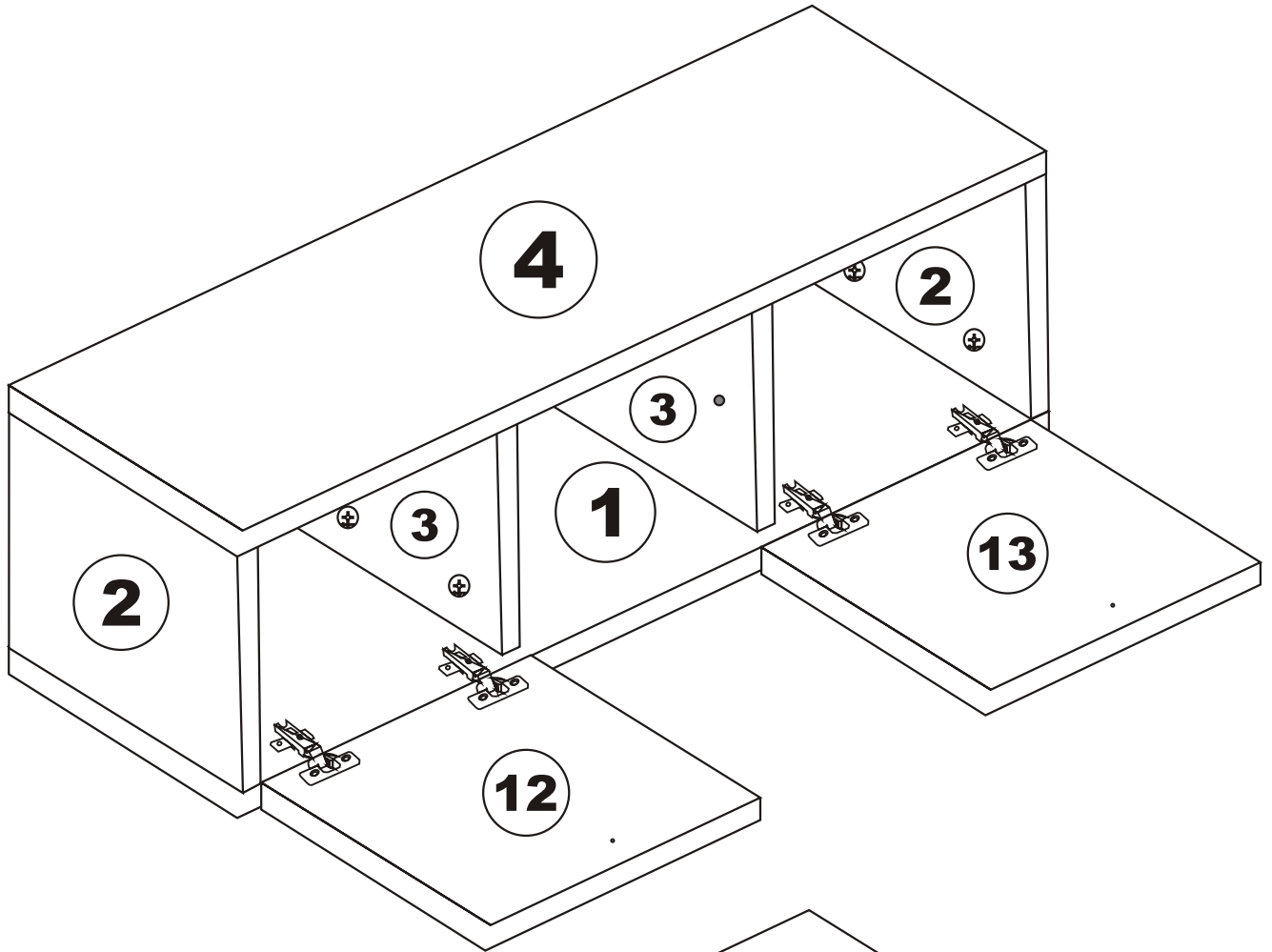


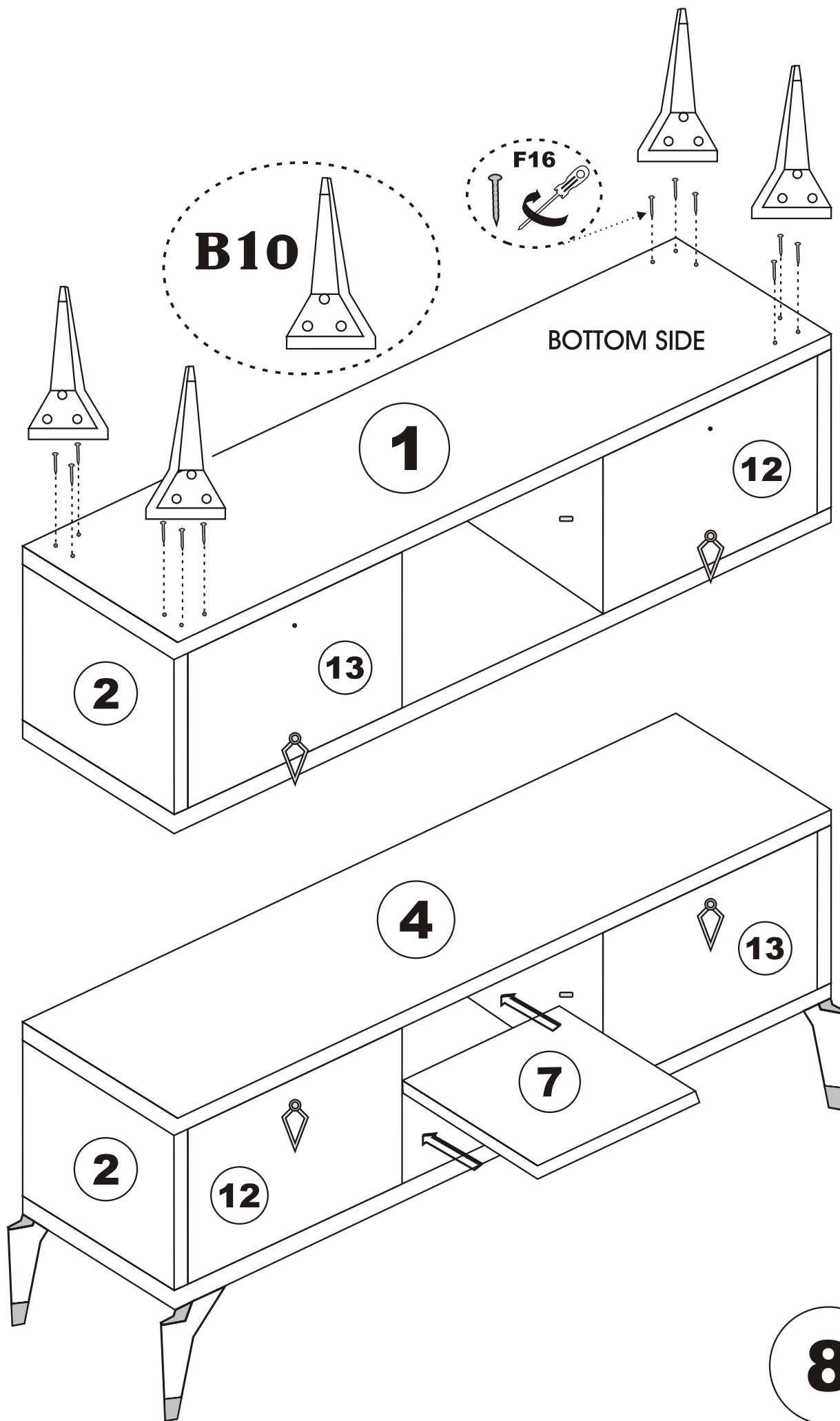
A - To connect the hinge to door
B - to arrange the door

Arrows to show the directions for arrangement of doors.



6





B10

F16

BOTTOM SIDE

1

12

2

13

4

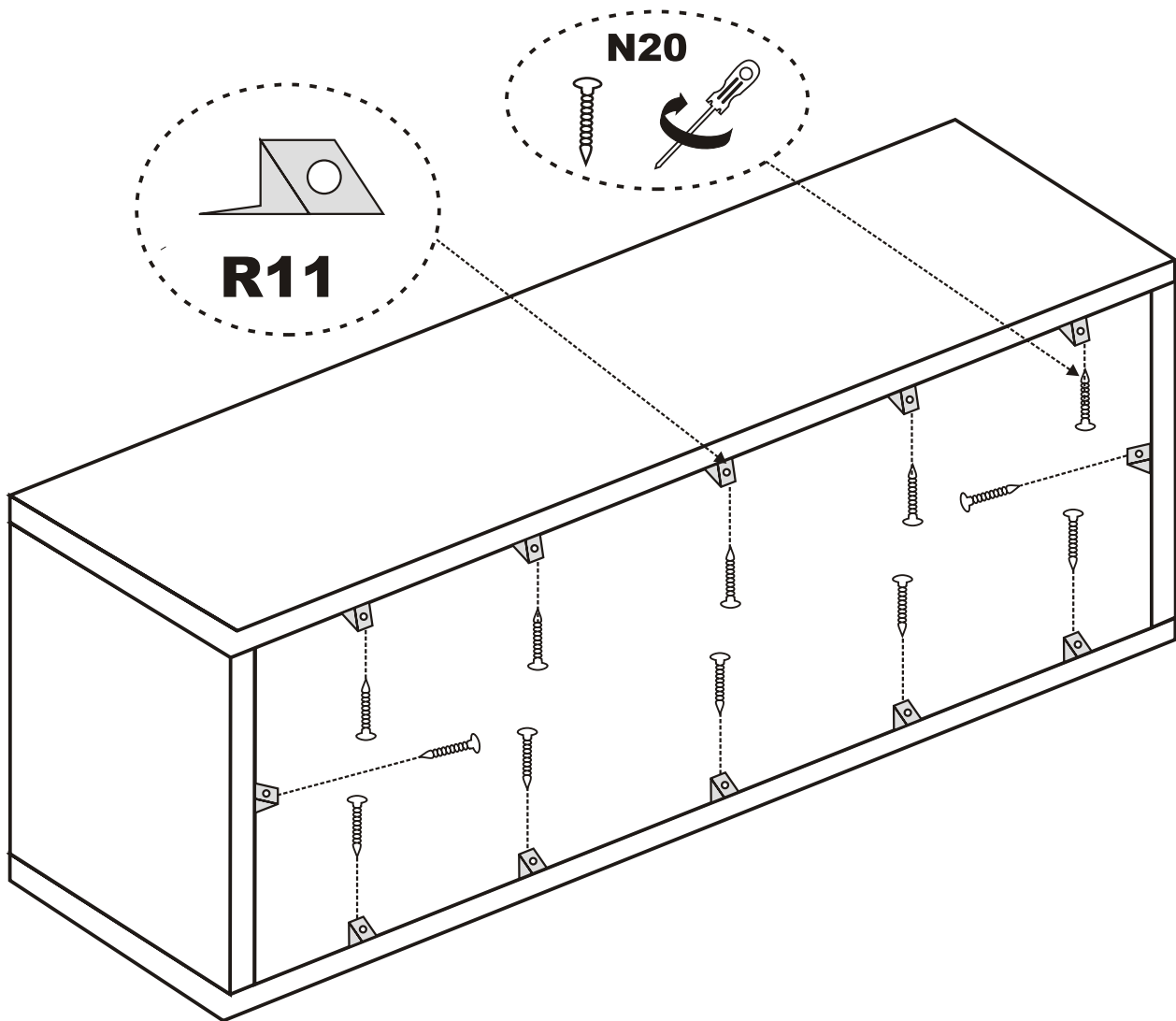
13

2

12

7

8



FIX THE PLASTIC PARTS INCLUDED IN THE ACCESSORY PACK TO ALL CORNITURE AS SHOWN IN THE PICTURE .

THIS PROCESS WILL PREVENT ANY IMBALANCE THAT MAY BE CAUSED BY AN UNEVEN SURFACE AND IT WILL PROVIDE ALONGER LASTING ; COMFORTAABLE USE .