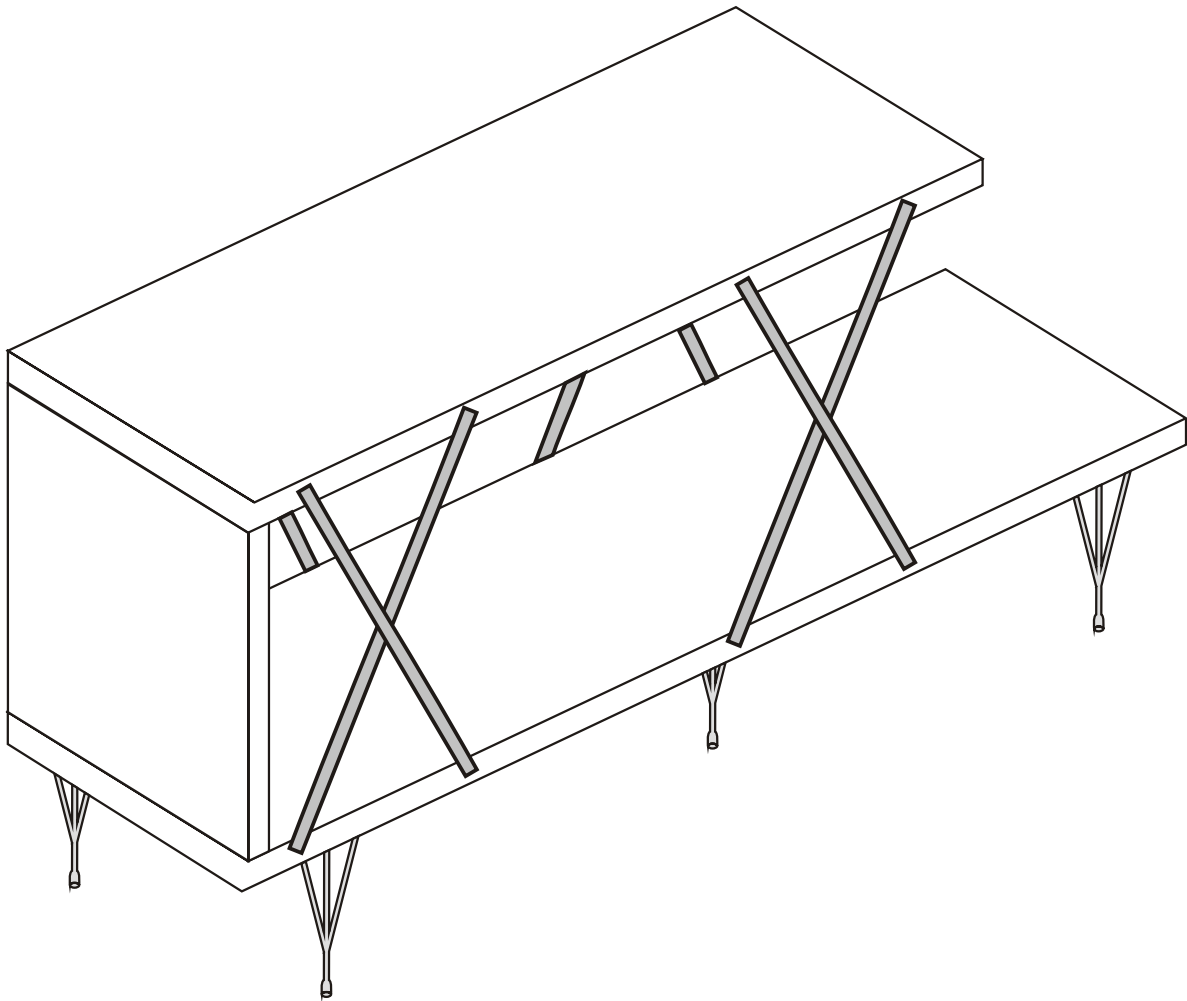


# STREET TV STAND

---

## Assembly Manual



---

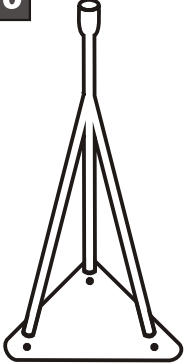
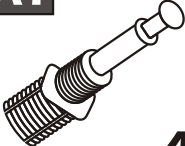


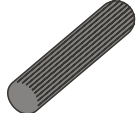

**KALUNE DESIGN**  
furniture

---

# STREET TV ATTENTION !!

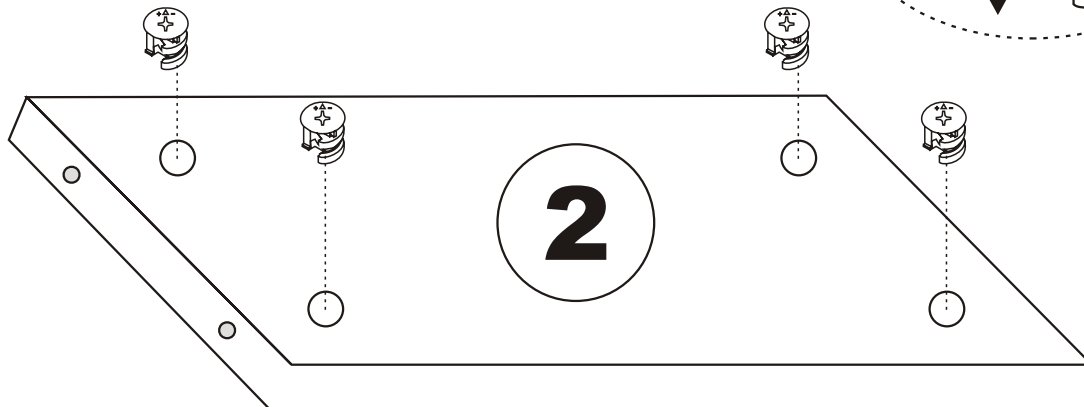
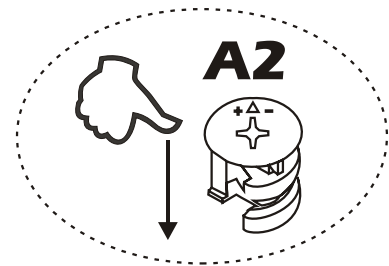
Minifix is the main connection material used in Decortile products ,  
Before starting assembly , Please check the drawings below

## Accessory List

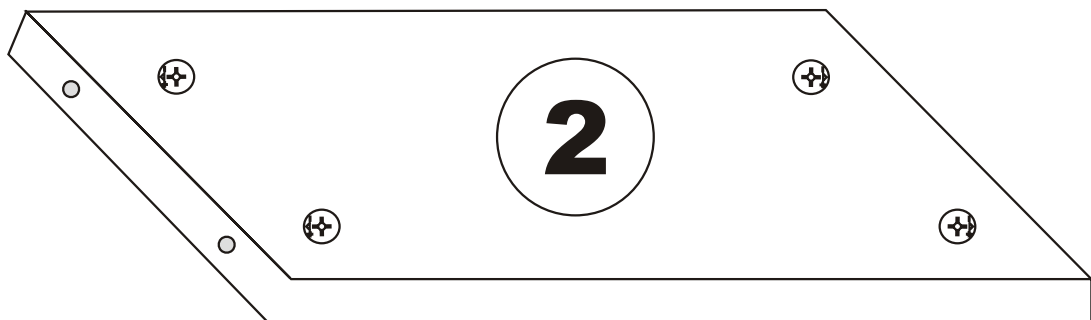
<b>B10</b>  <b>5X</b>	<b>A1</b> Minifix  <b>4X</b>	<b>A2</b> Minifix  <b>4X</b>	<b>N20</b>  <b>15X</b>
	<b>A3</b>  <b>4X</b>	 <b>8X</b>	

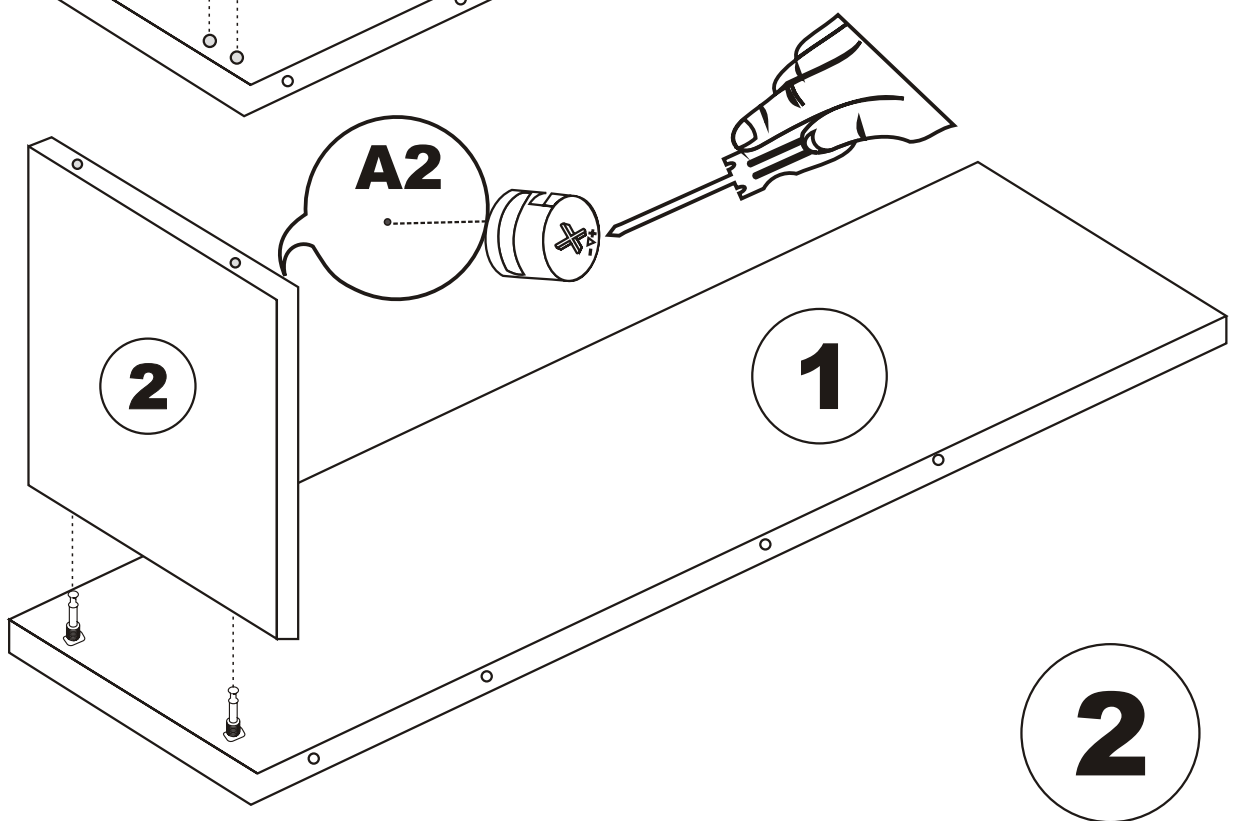
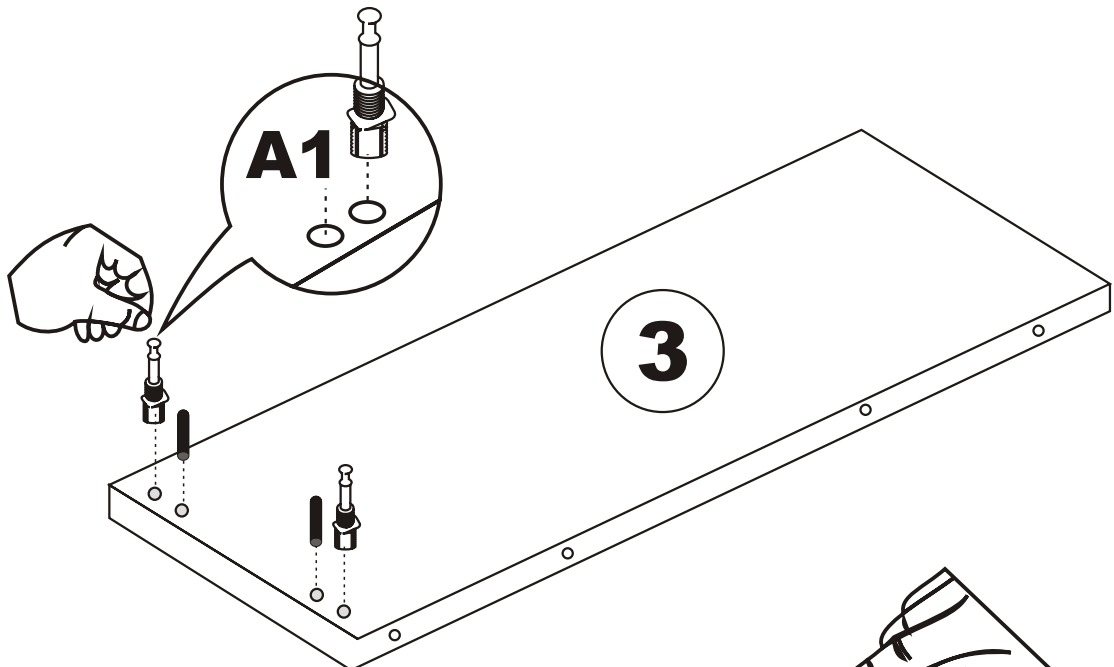
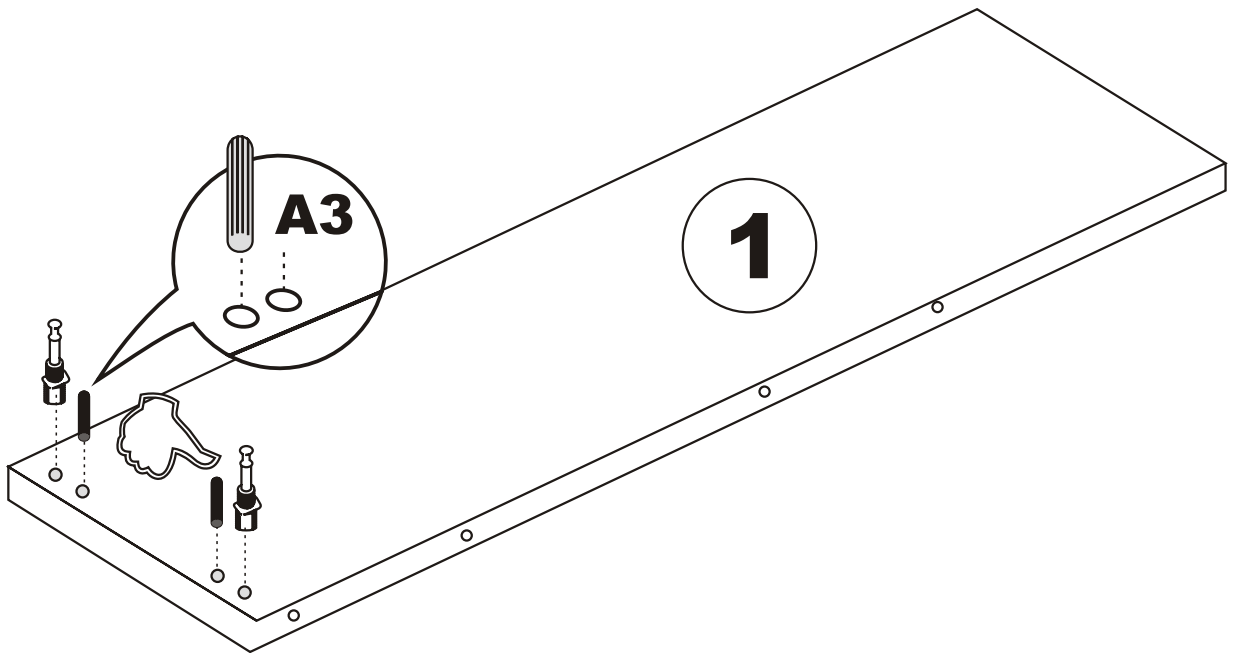
## General view

**A3**

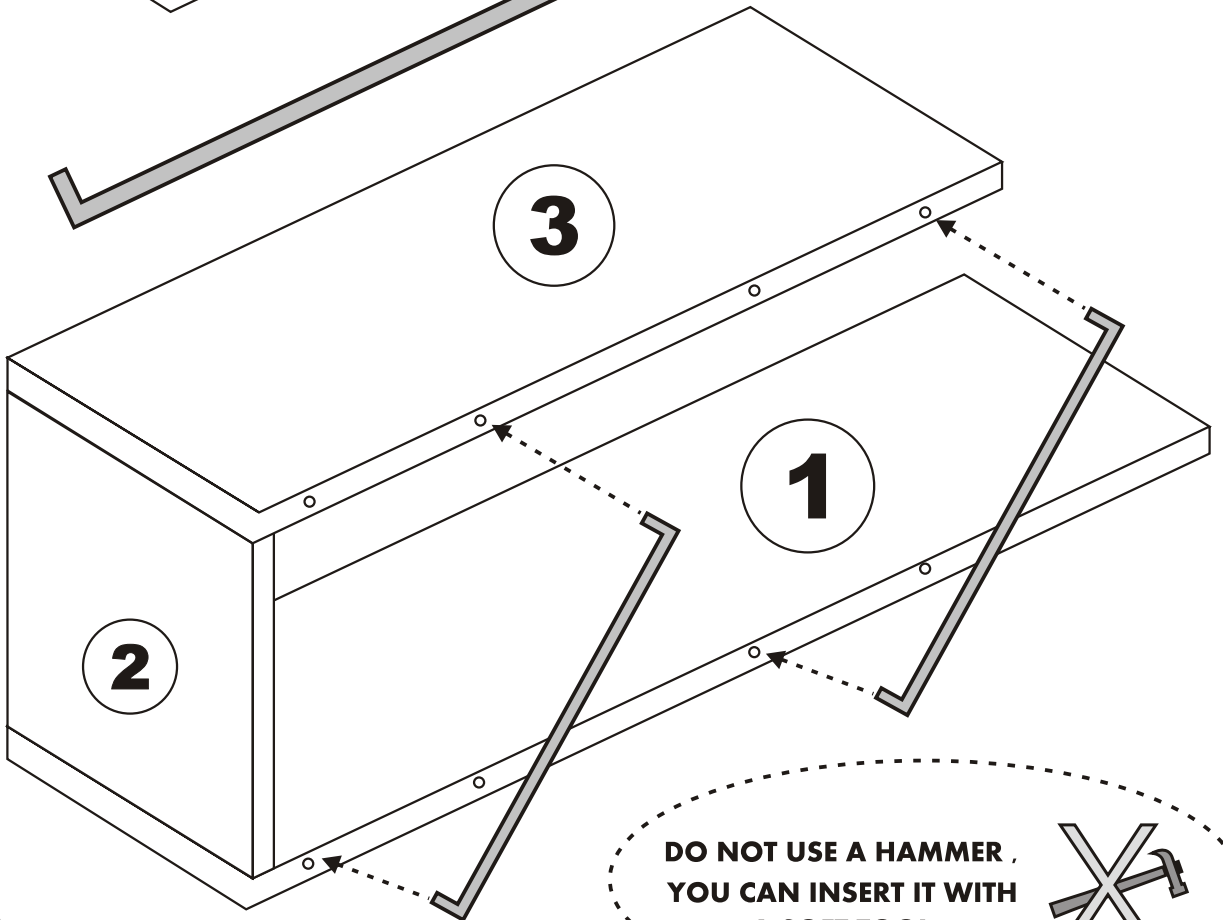
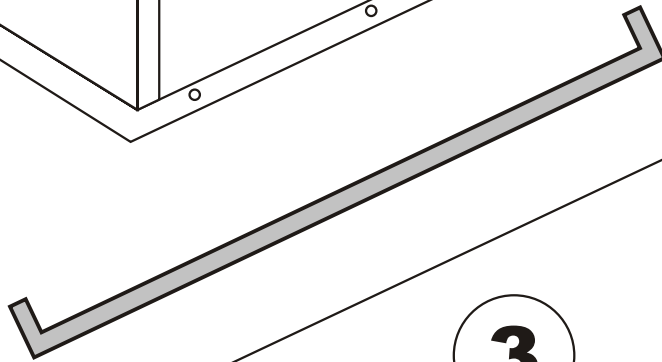
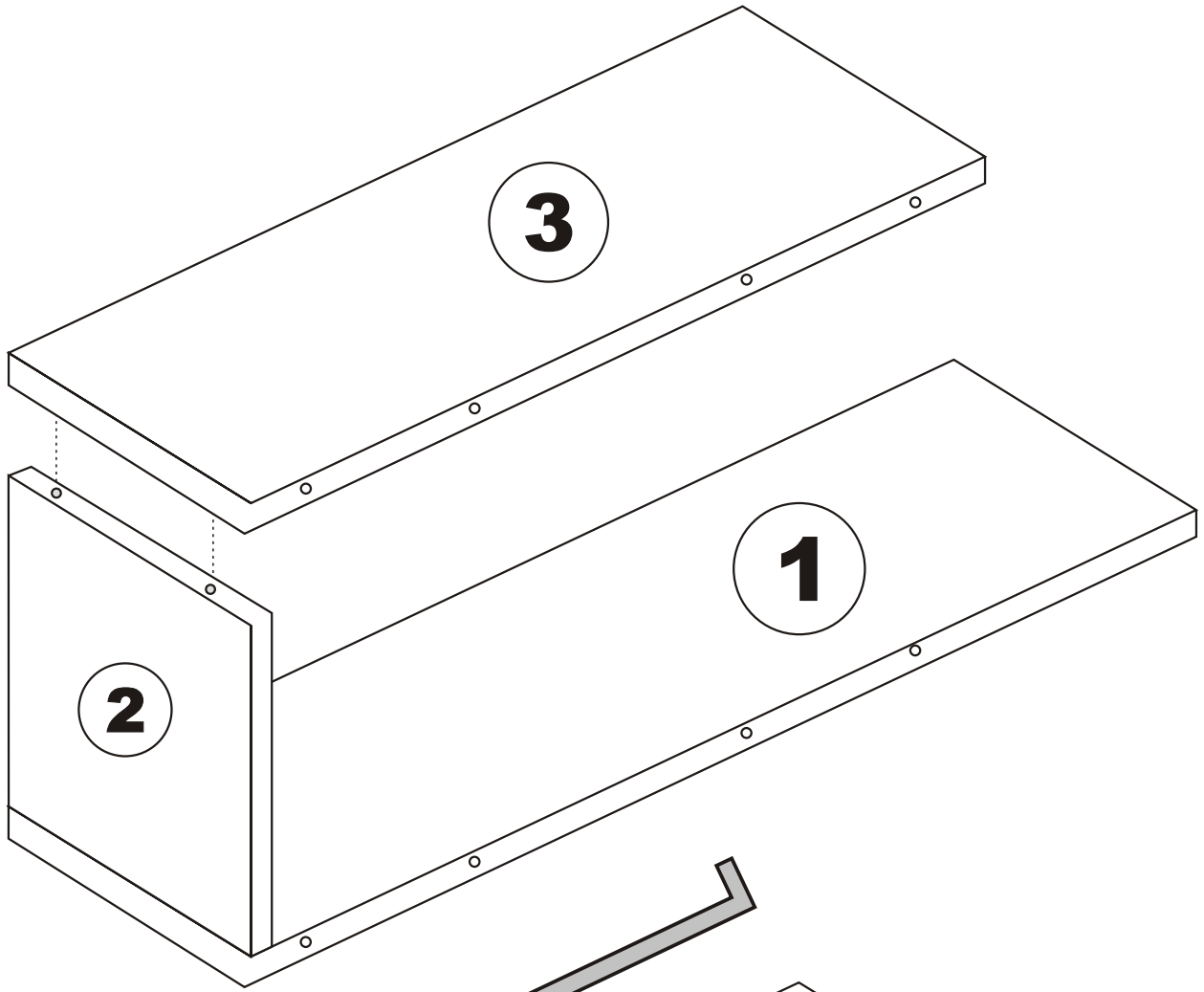


**1**



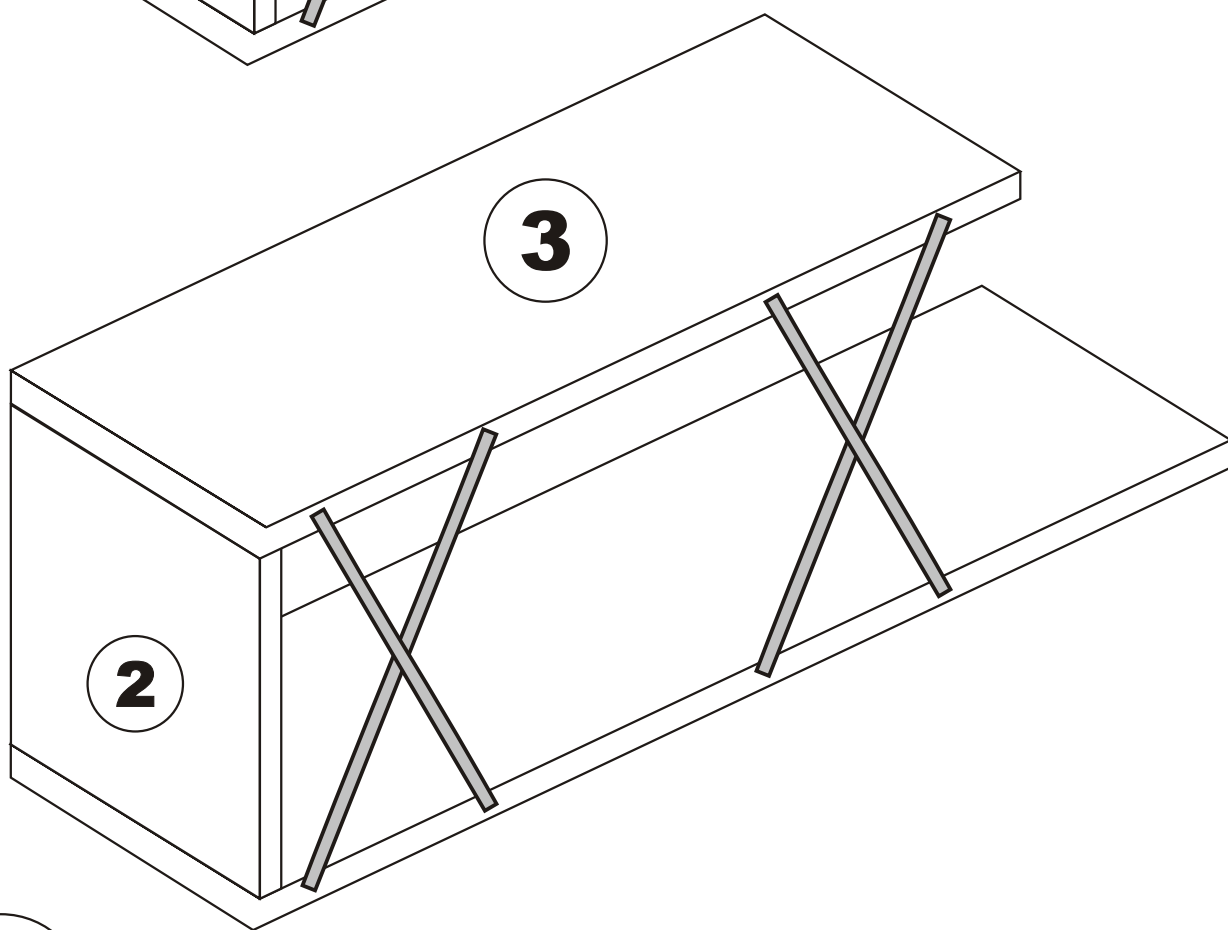
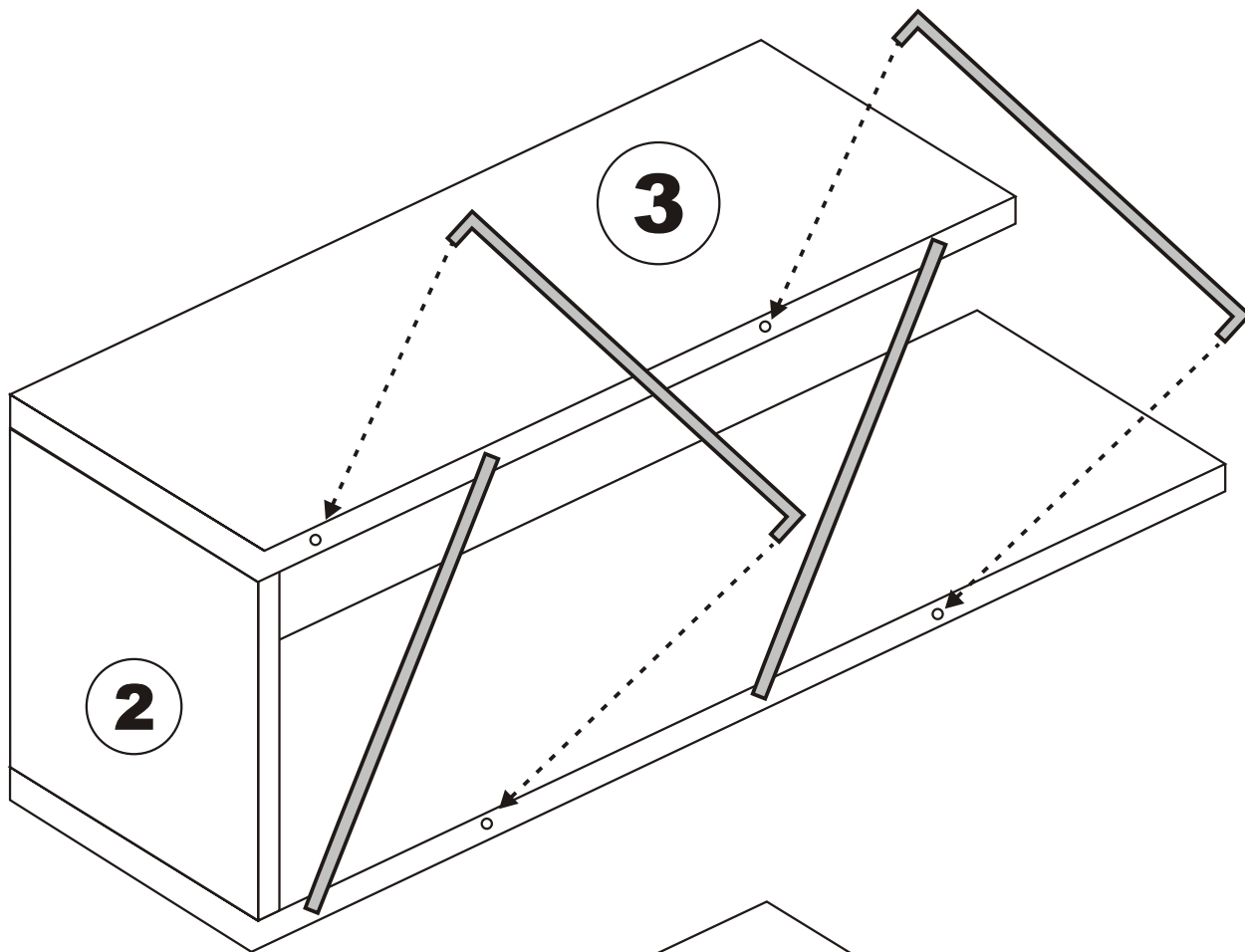


**2**



**DO NOT USE A HAMMER,  
YOU CAN INSERT IT WITH  
A SOFT TOOL**





4

