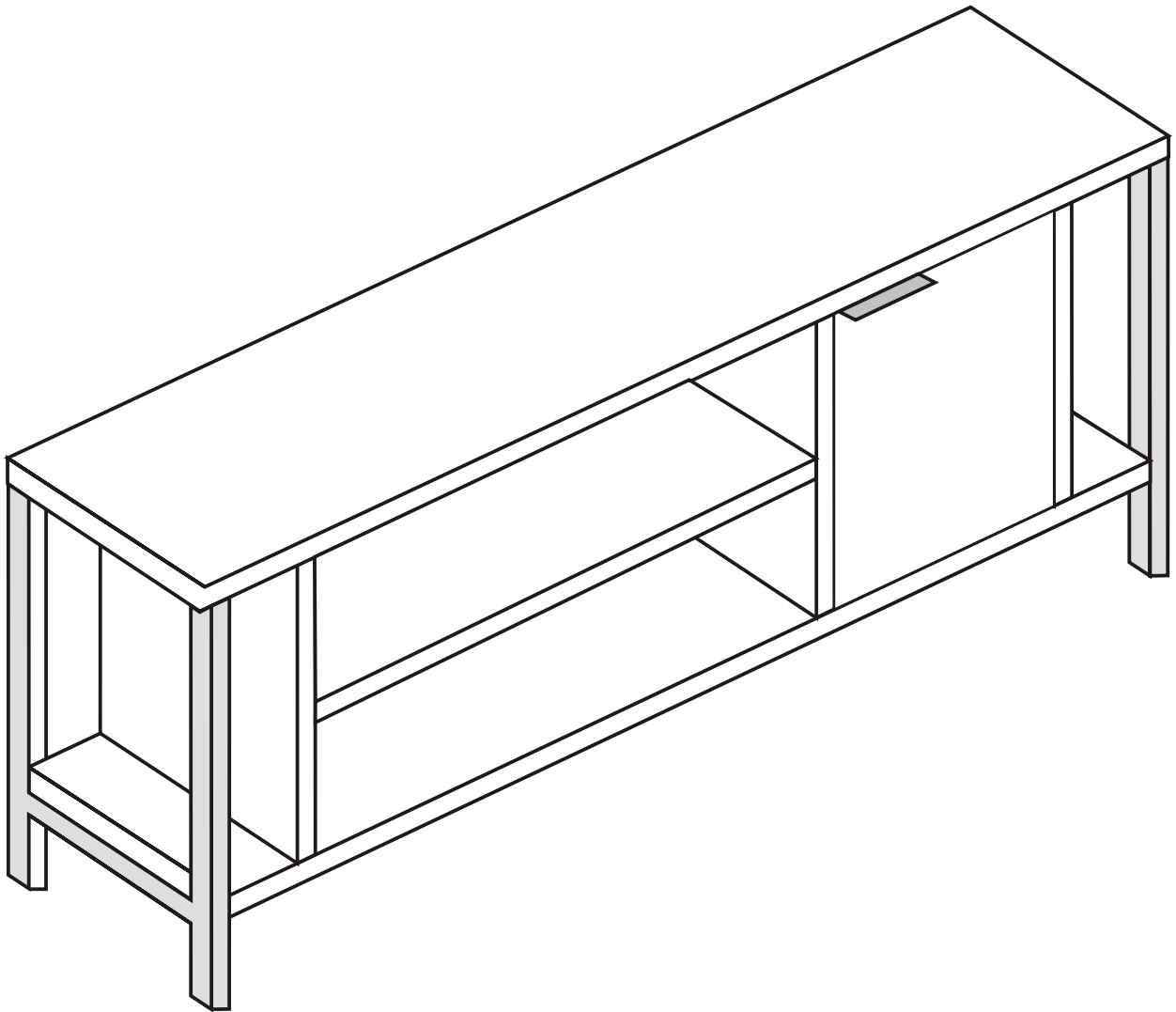


# BOND . TV

---

## Assembly Manual



---

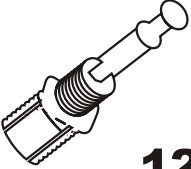

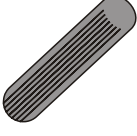
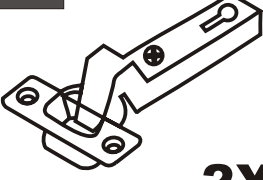


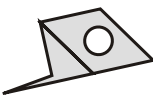
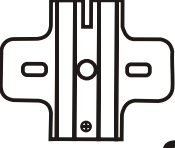
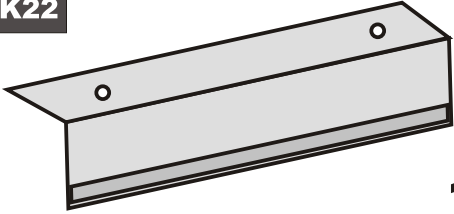

**KALUNE DESIGN**  
furniture

---

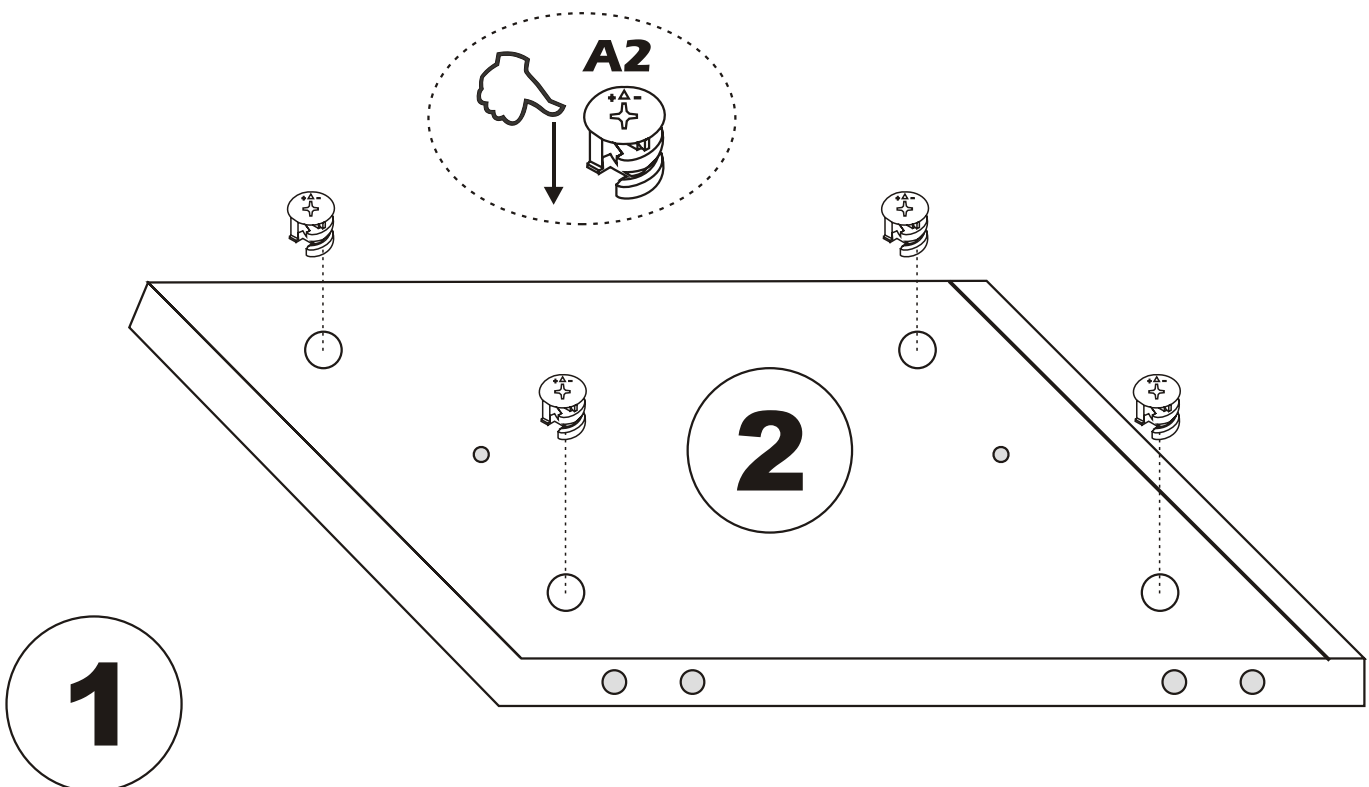
# ATTENTION !!

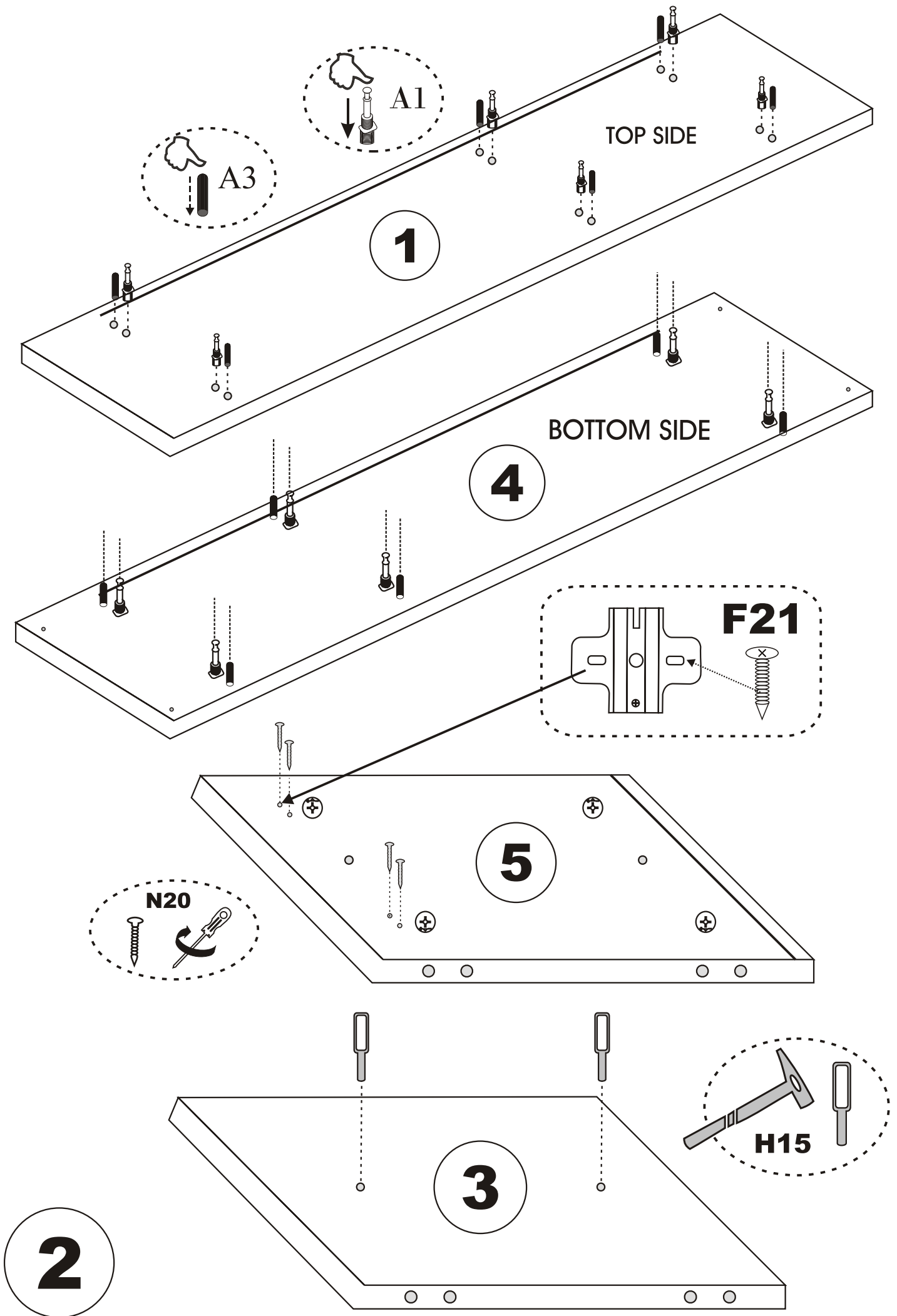
Minifix is the main connection material used in Decortile products ,  
Before starting assembly , Please check the drawings below

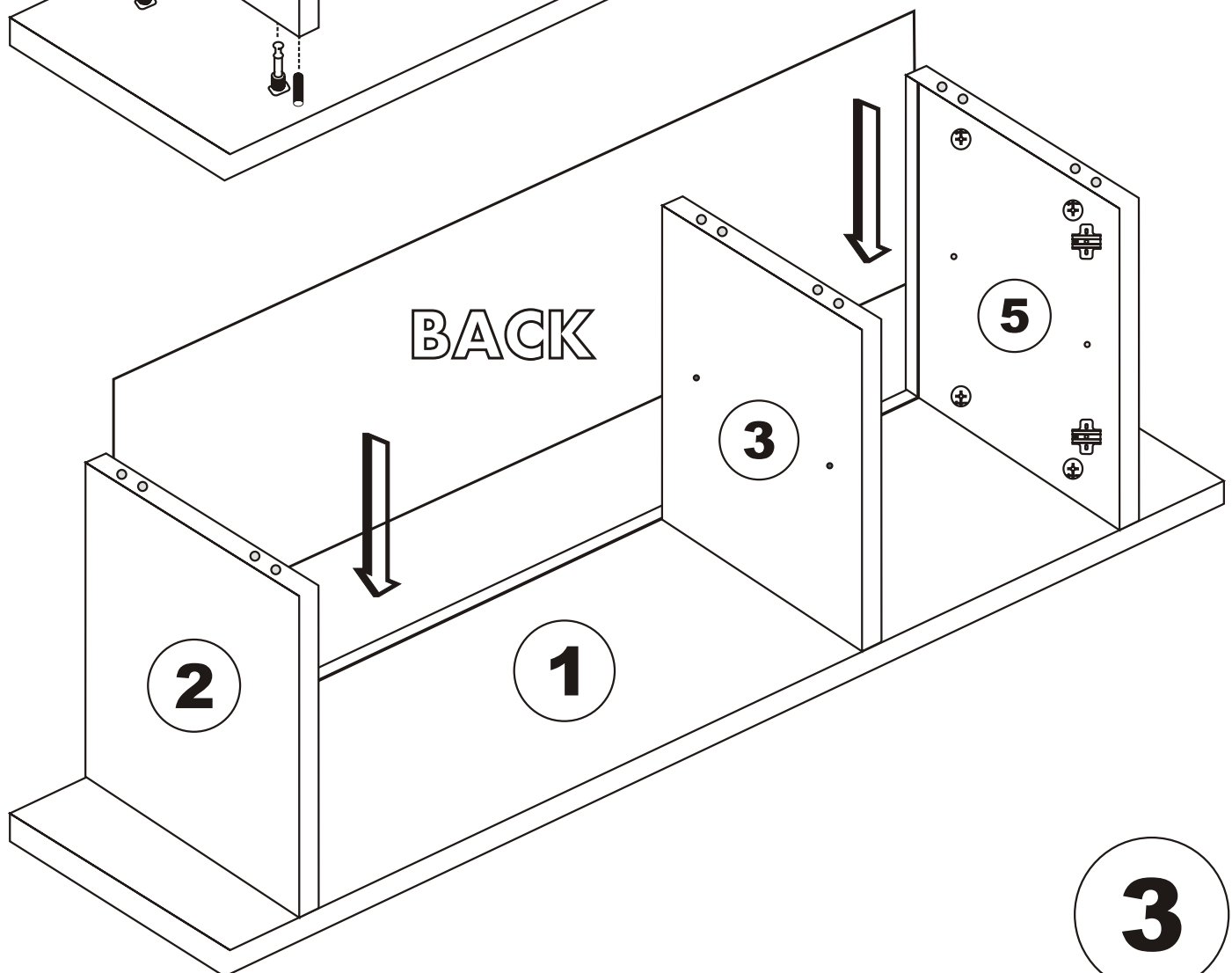
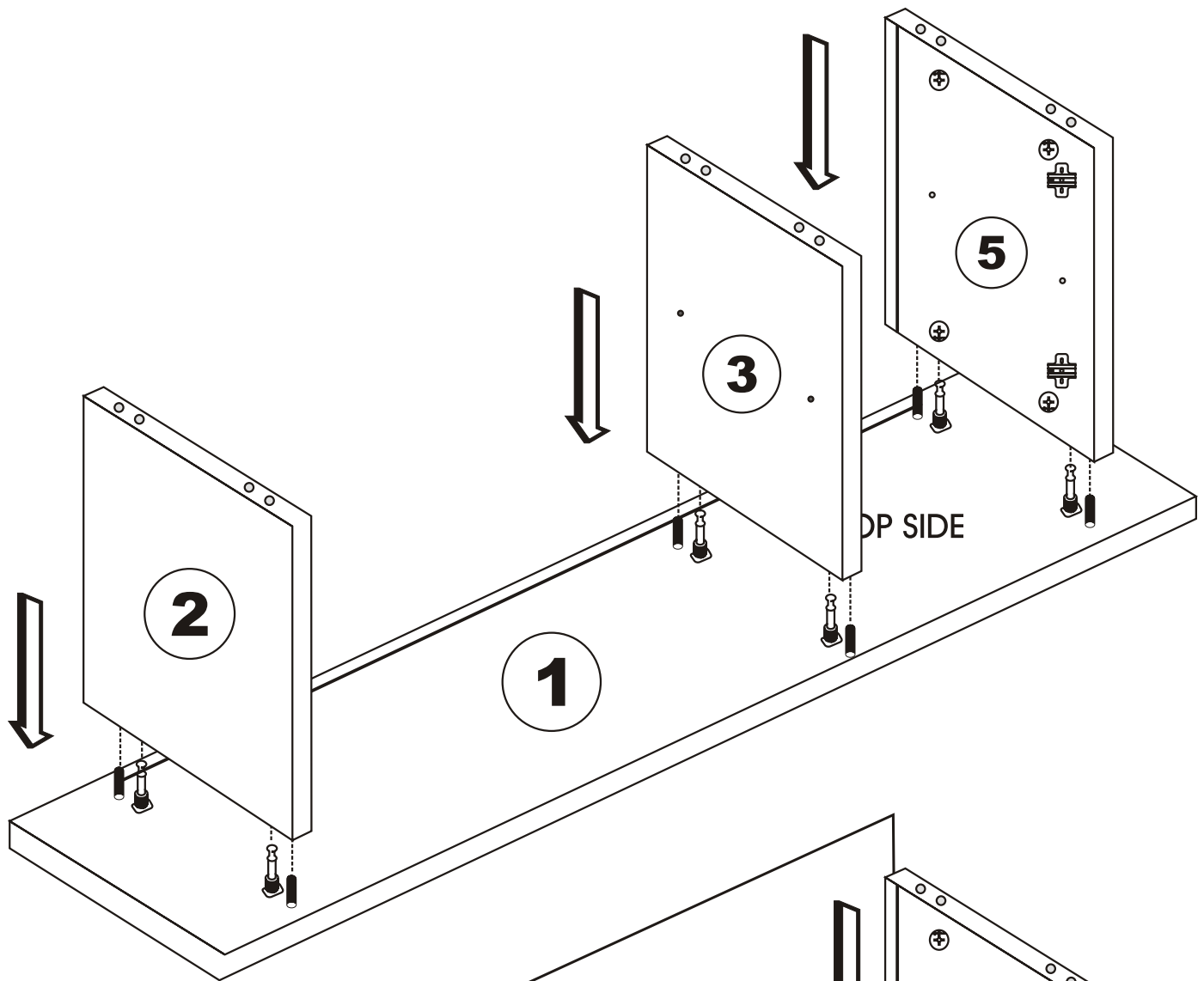
## Accessory List

<b>A1</b> Minifix  <b>12X</b>	<b>A2</b> Minifix  <b>12X</b>	<b>A3</b>  <b>12X</b>	<b>F22</b>  <b>2X</b>
<b>K16</b>  <b>4X</b>	<b>H15</b>  <b>8X</b>	<b>R11</b>  <b>10X</b>	<b>F21</b>  <b>2X</b>
<b>K22</b>  <b>1X</b>			<b>N20</b>  <b>24X</b>

General view







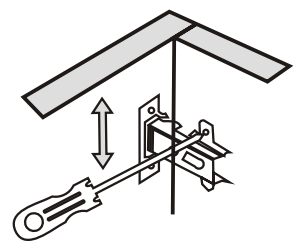
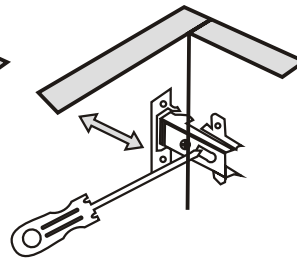
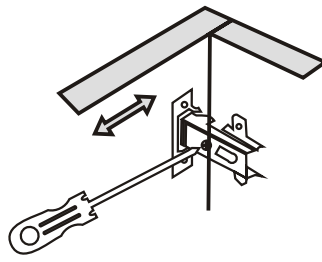
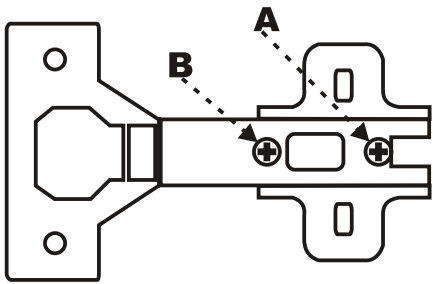
**3**



Settings of hinge

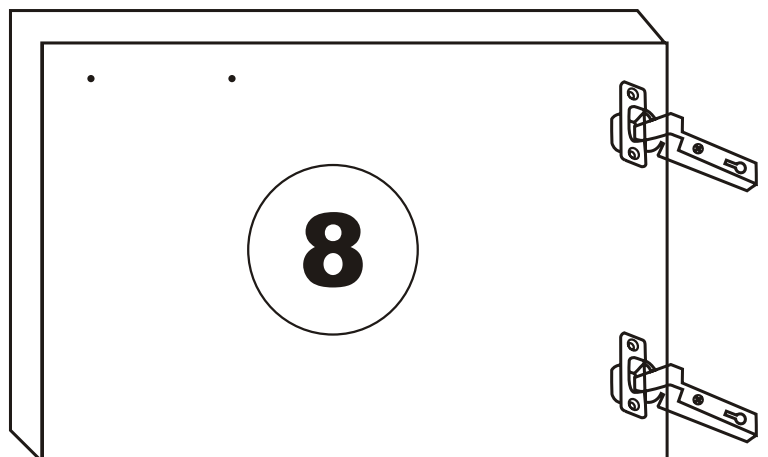
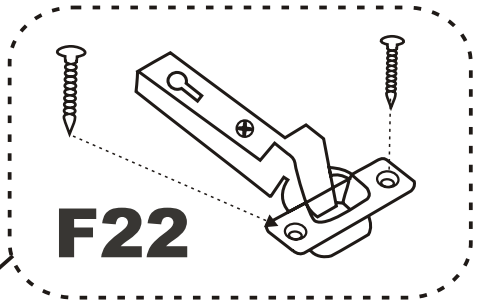
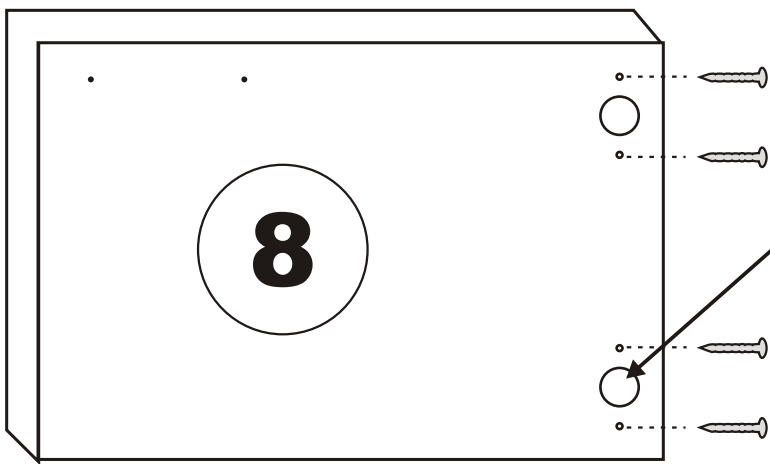
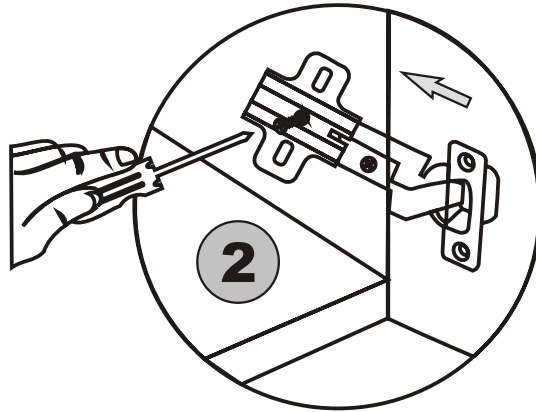
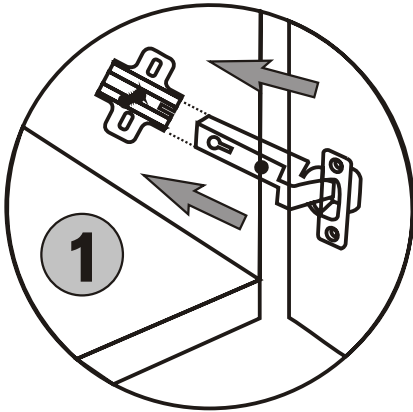
Settings of hinge

Settings of hinge



A - To connect the hinge to door  
 B - to arrange the door

Arrows to show the directions for arrangement of doors.



5

