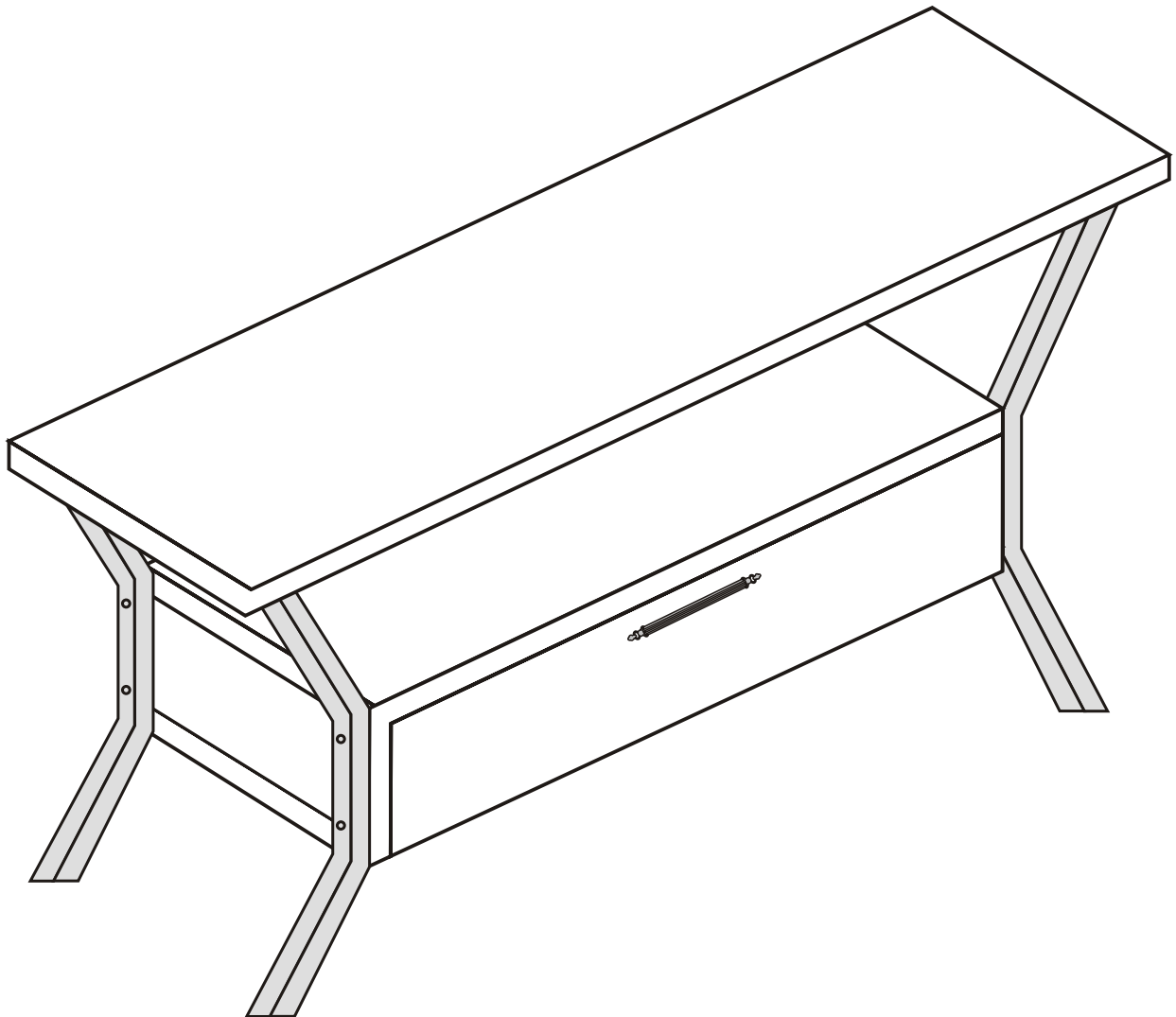


TARZ , tv

Assembly Manual



KALUNE DESIGN
furniture

Dear Customer,
We design and produce our products for people to love and have fun with them as we do.
The product you bought was subjected to all sorts of tests and control before sending out to you



Before start assembling,please chesck the whole components and accessories according to the lists.

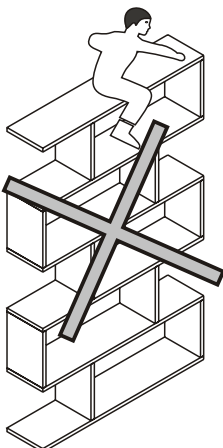
If you bought more than one product,to prevent confusion be sure that you completed the first product. Then start the other product's assembling



Before start assembling,please clean all the compenents with a damp cloth . Also for usual cleaning,this will be enough



Despite the careful control and packaging of the products,if you encounter a problem during shipping check the necessary parts and contact the dealer from whom you bought the product in case of a problem


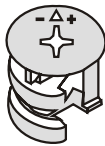
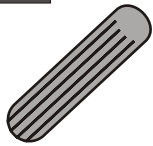
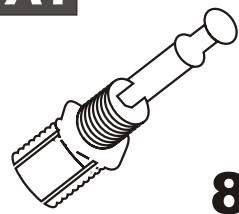
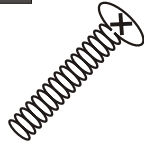

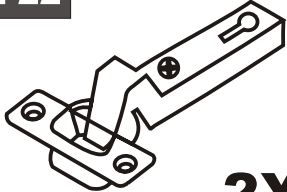
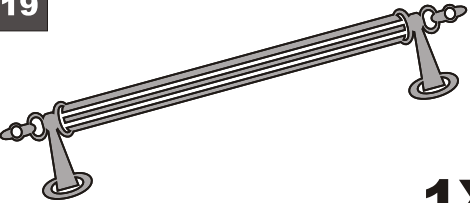
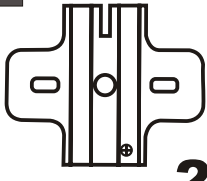


Do not use your furniture for out of purposes.Do not directly contact your furniture with excessive heat, cold and humidity because the product can be affected..

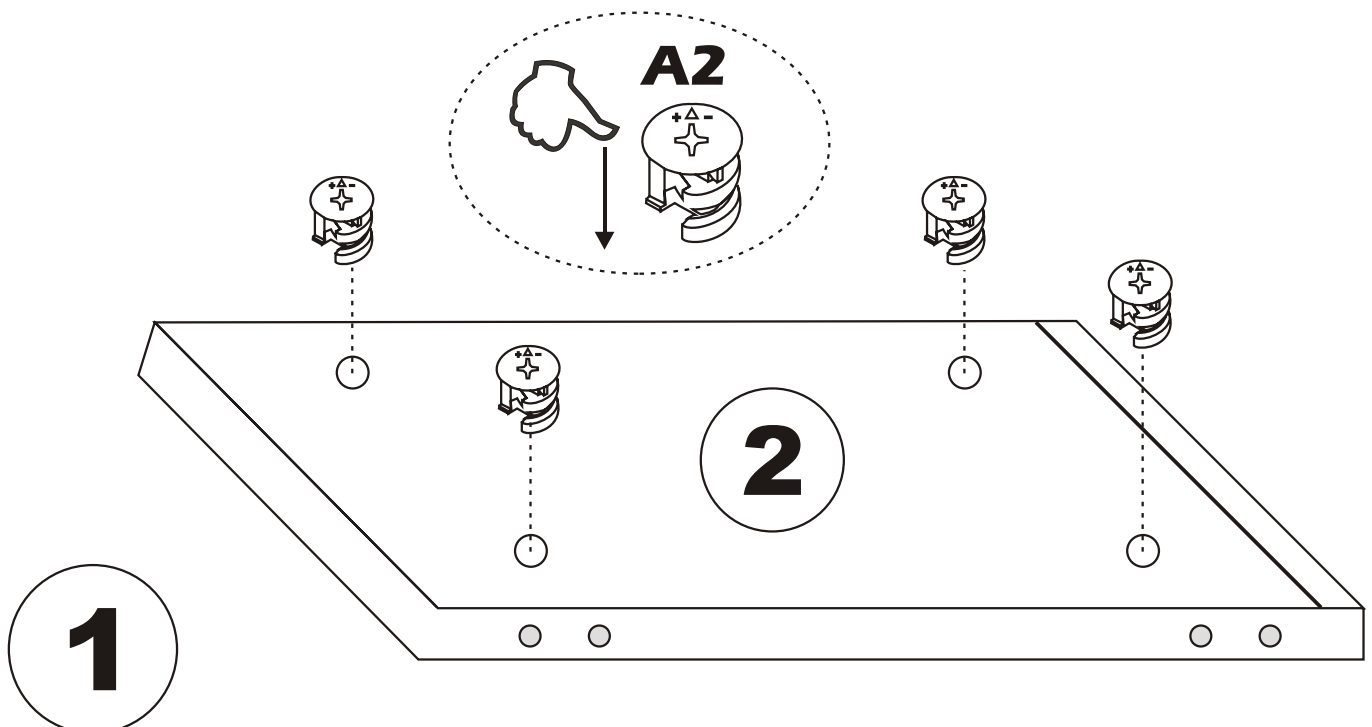
ATTENTION !!

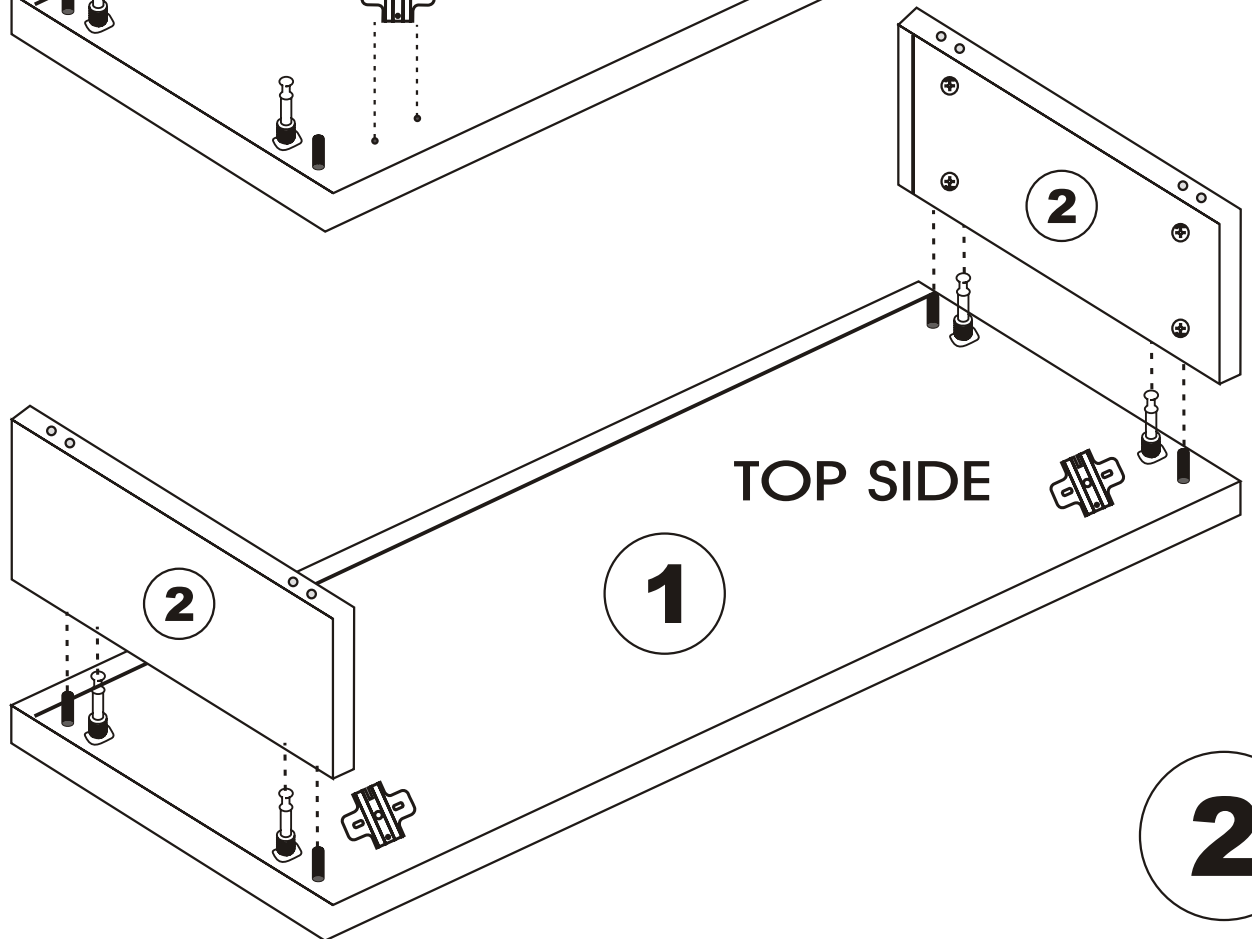
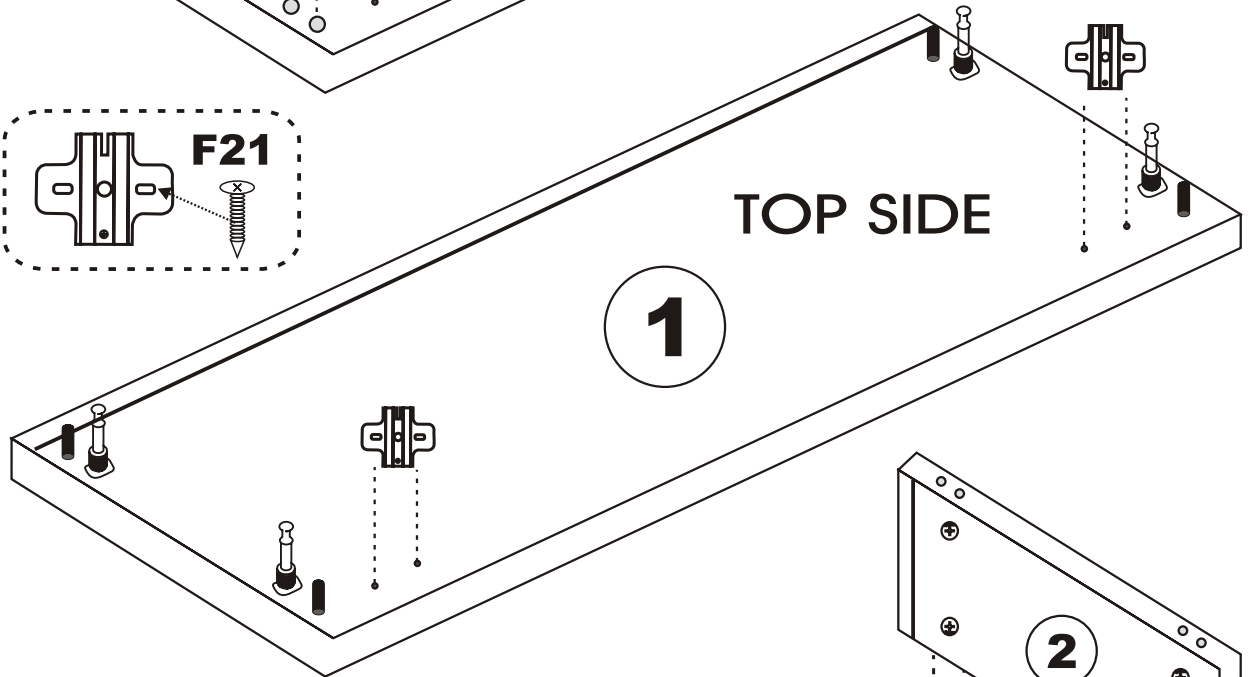
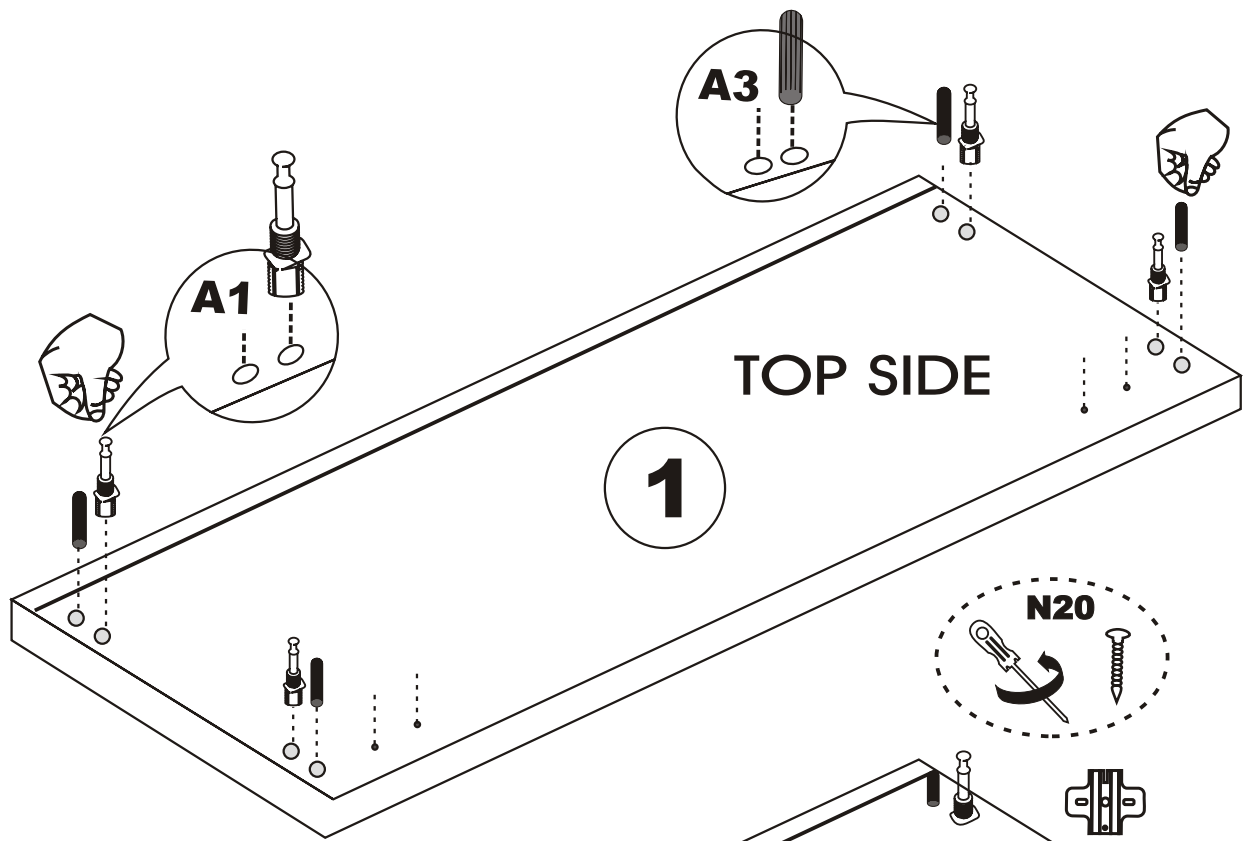
Minifix is the main connection material used in Decortile products ,
Before starting assembly , Please check the drawings below

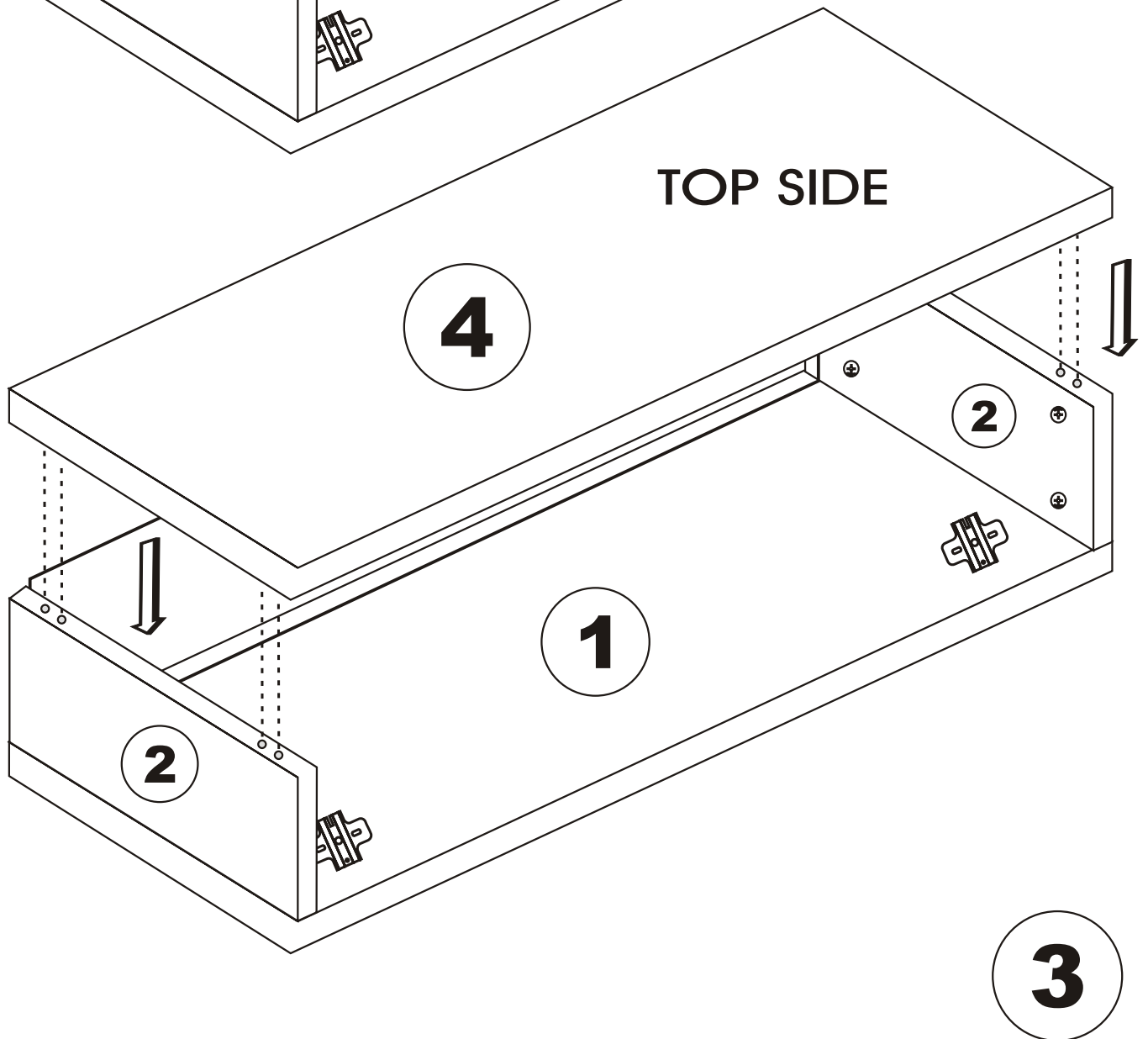
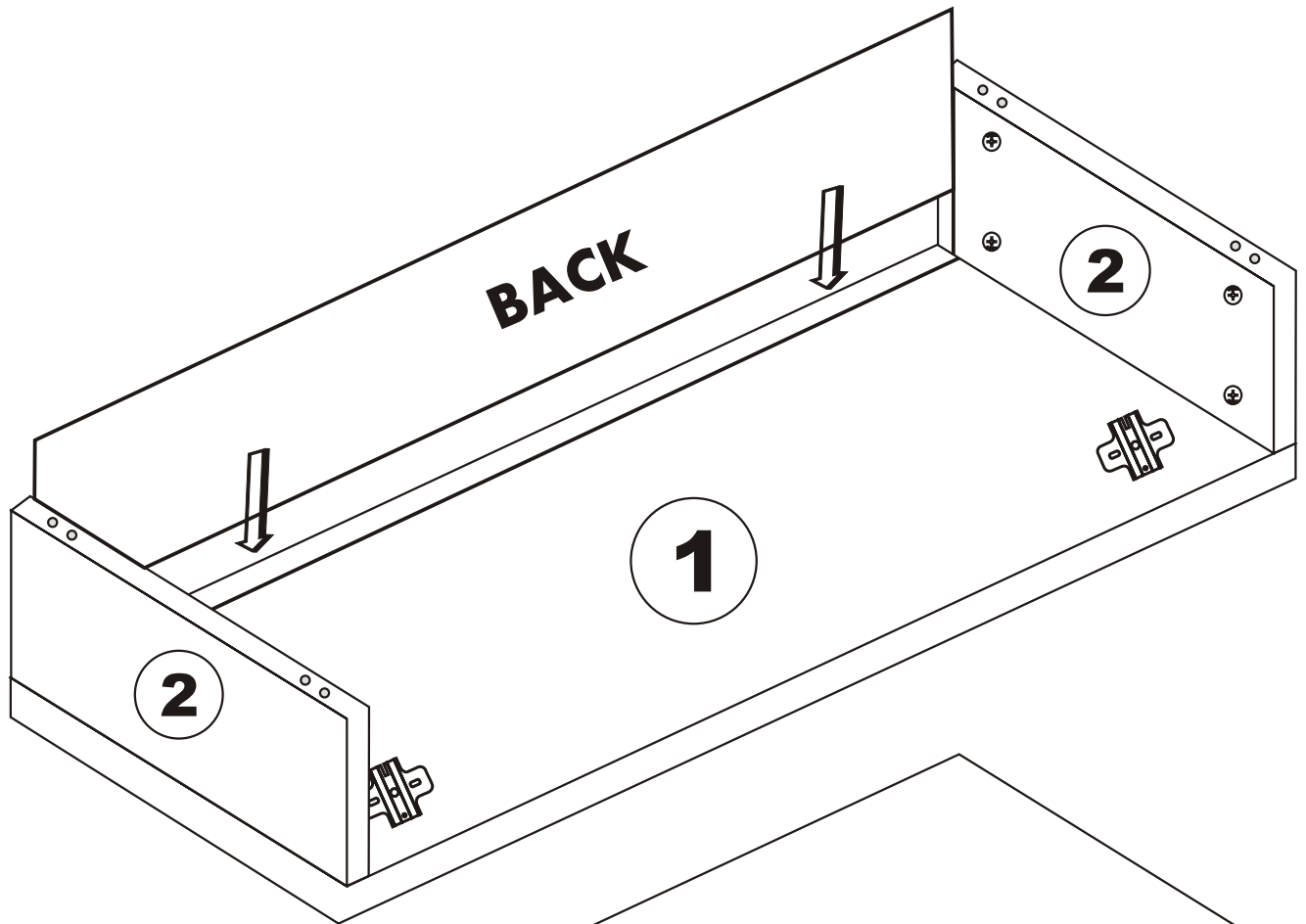
Accessory List

K16  8X	A2 Minifix  8X	A3  8X	A1 Minifix  8X
K03  2X		N20  12X	F22  2X
M19  1X			F21  2X

General view



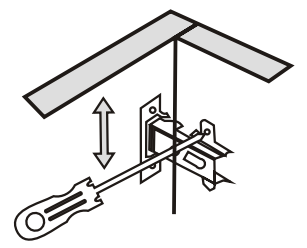
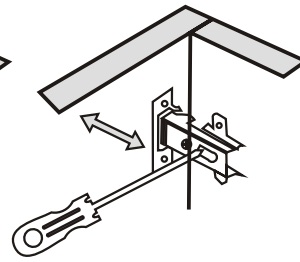
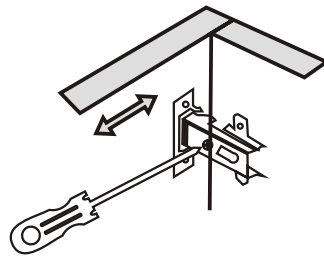
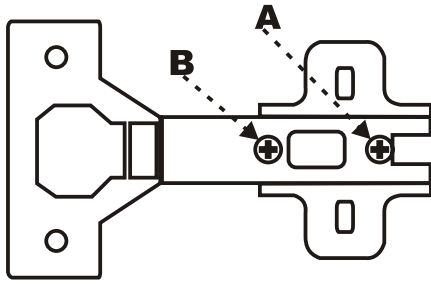




Settings of hinge

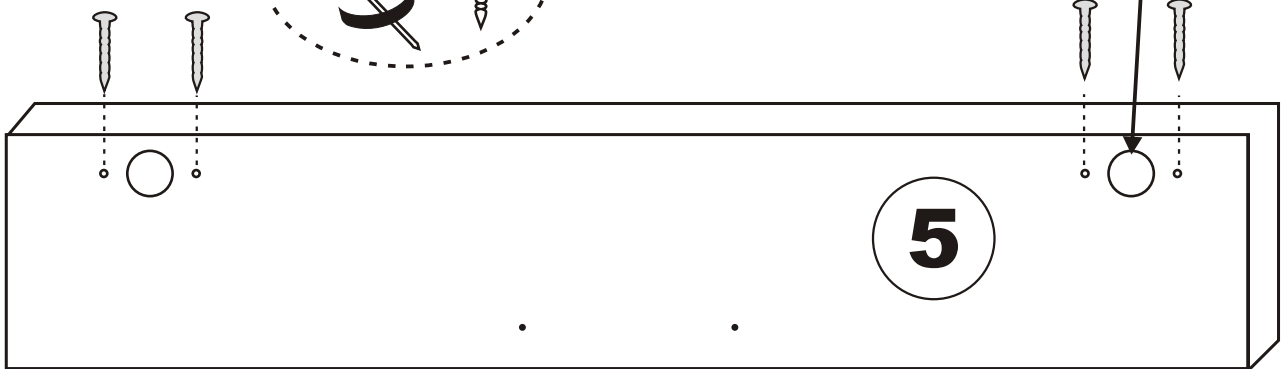
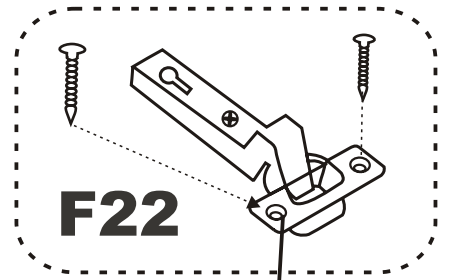
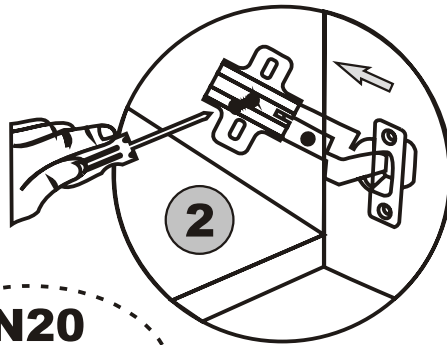
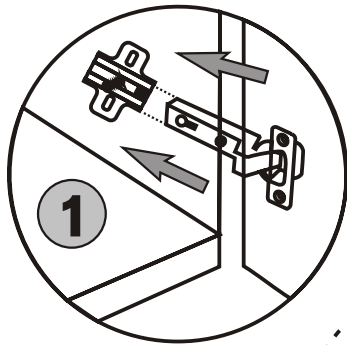
Settings of hinge

Settings of hinge

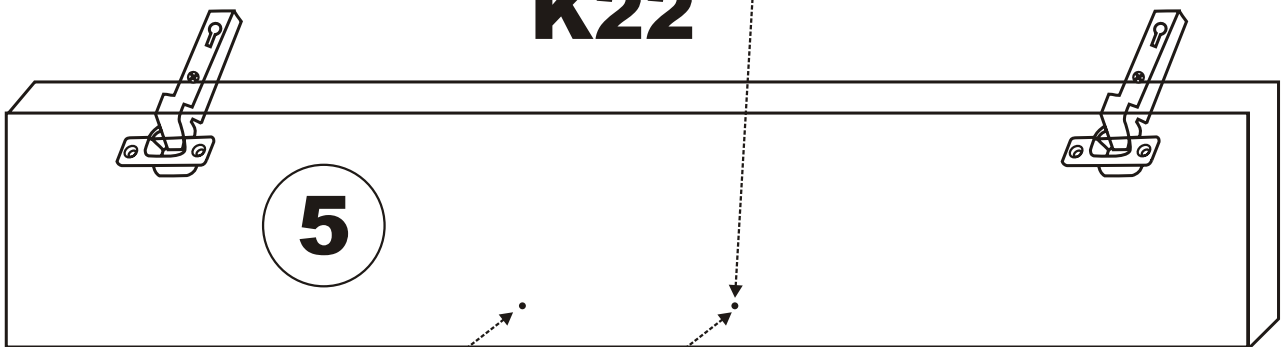


A - To connect the hinge to door
 B - to arrange the door

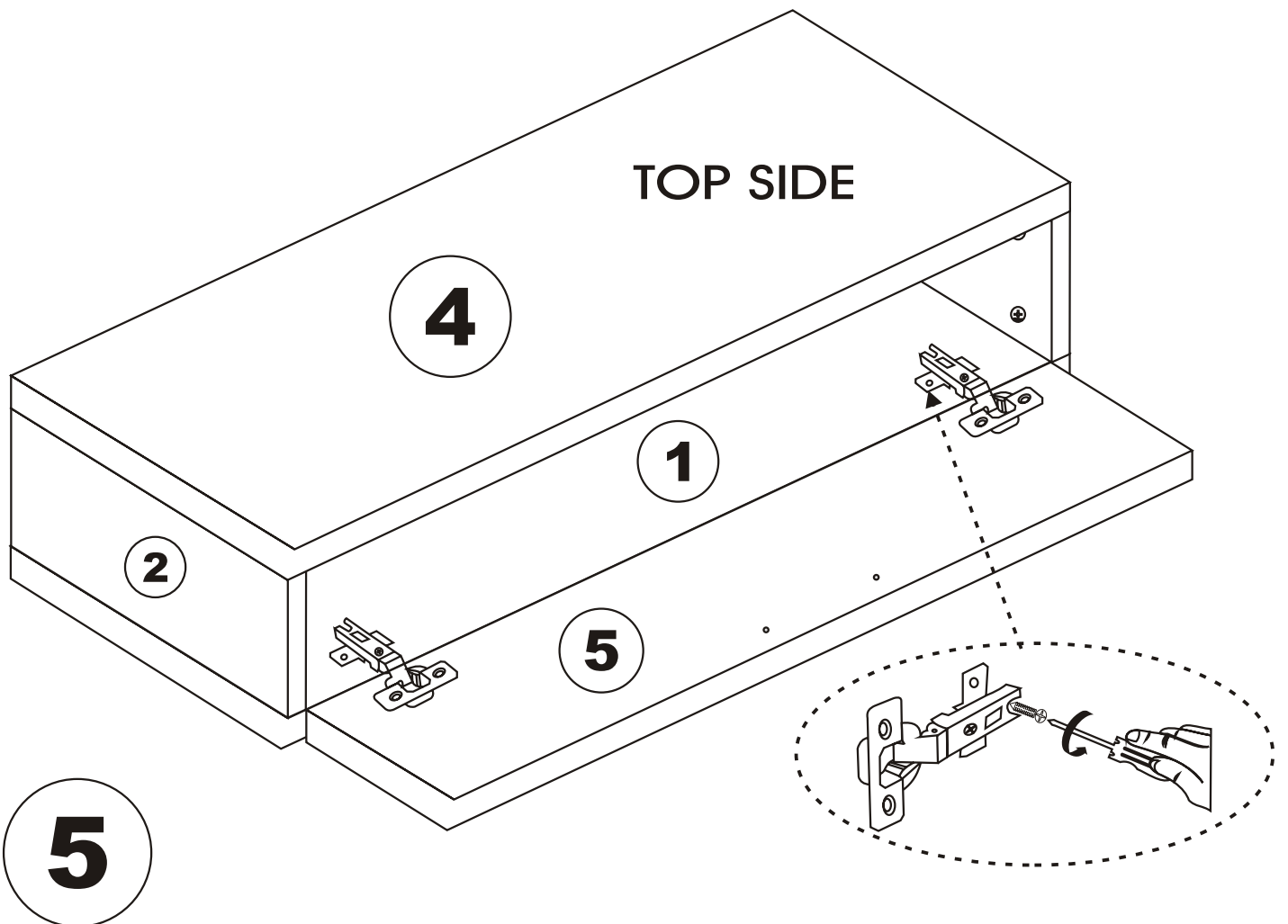
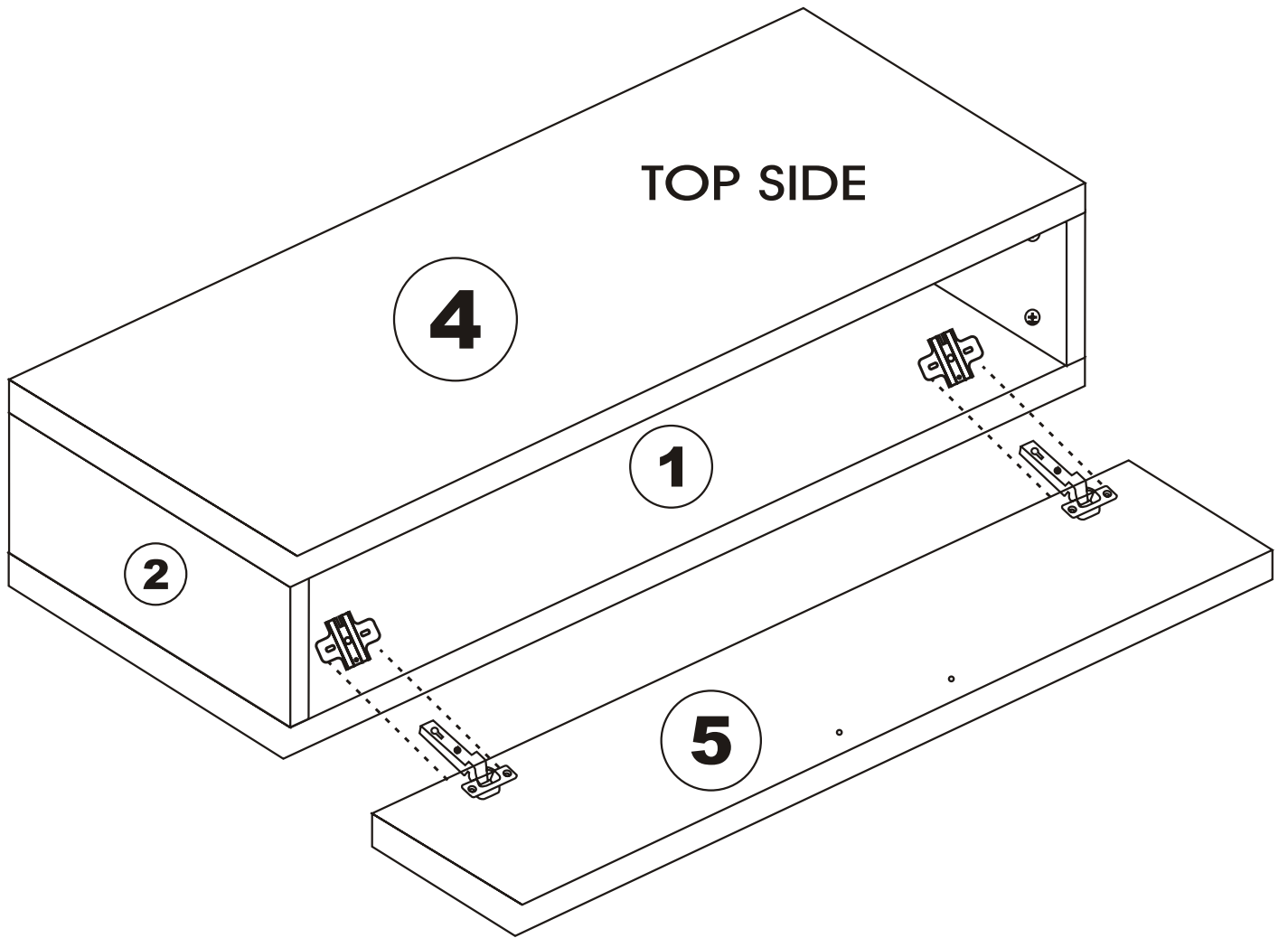
Arrows to show the directions for arrangement of doors.

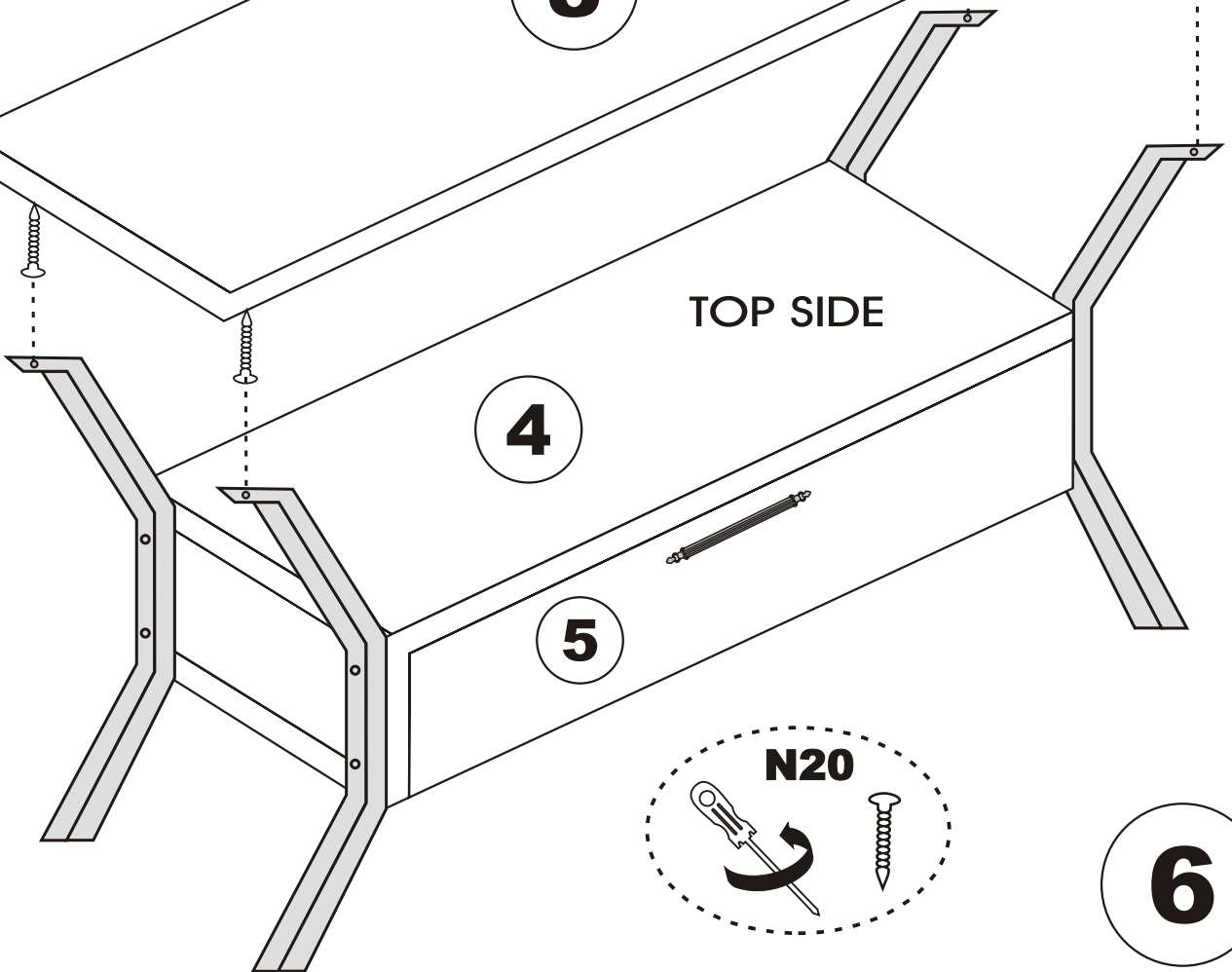
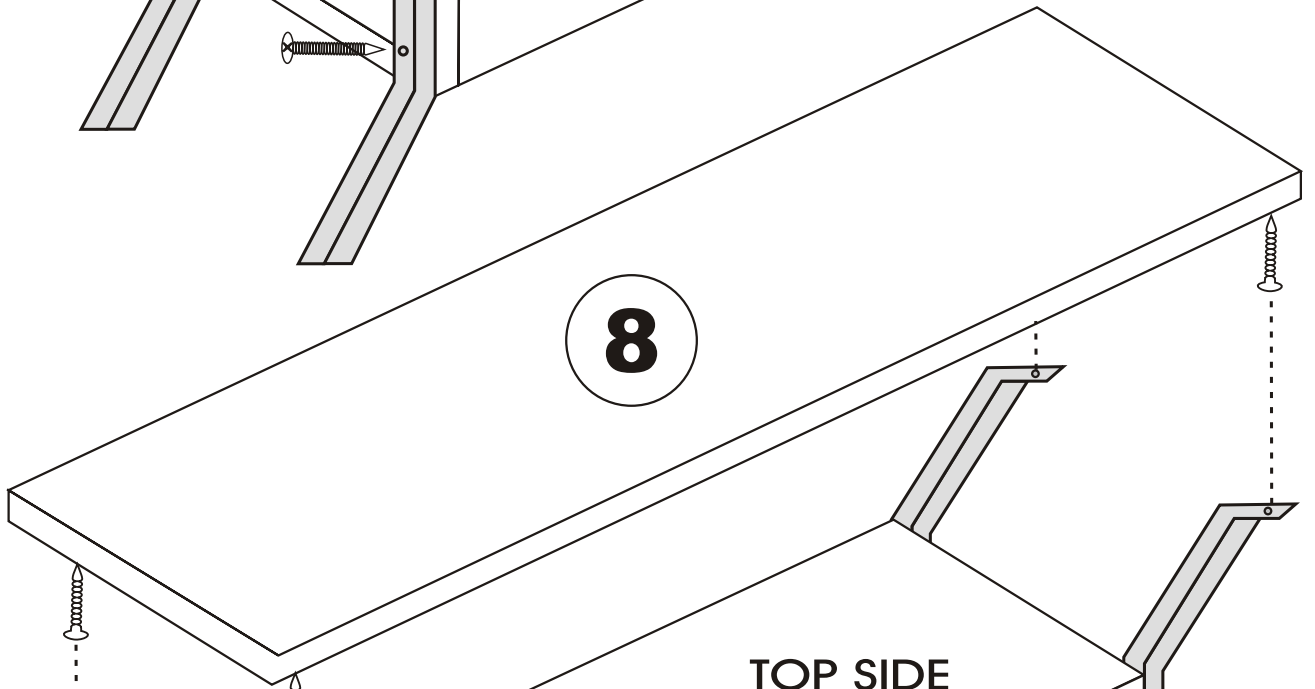
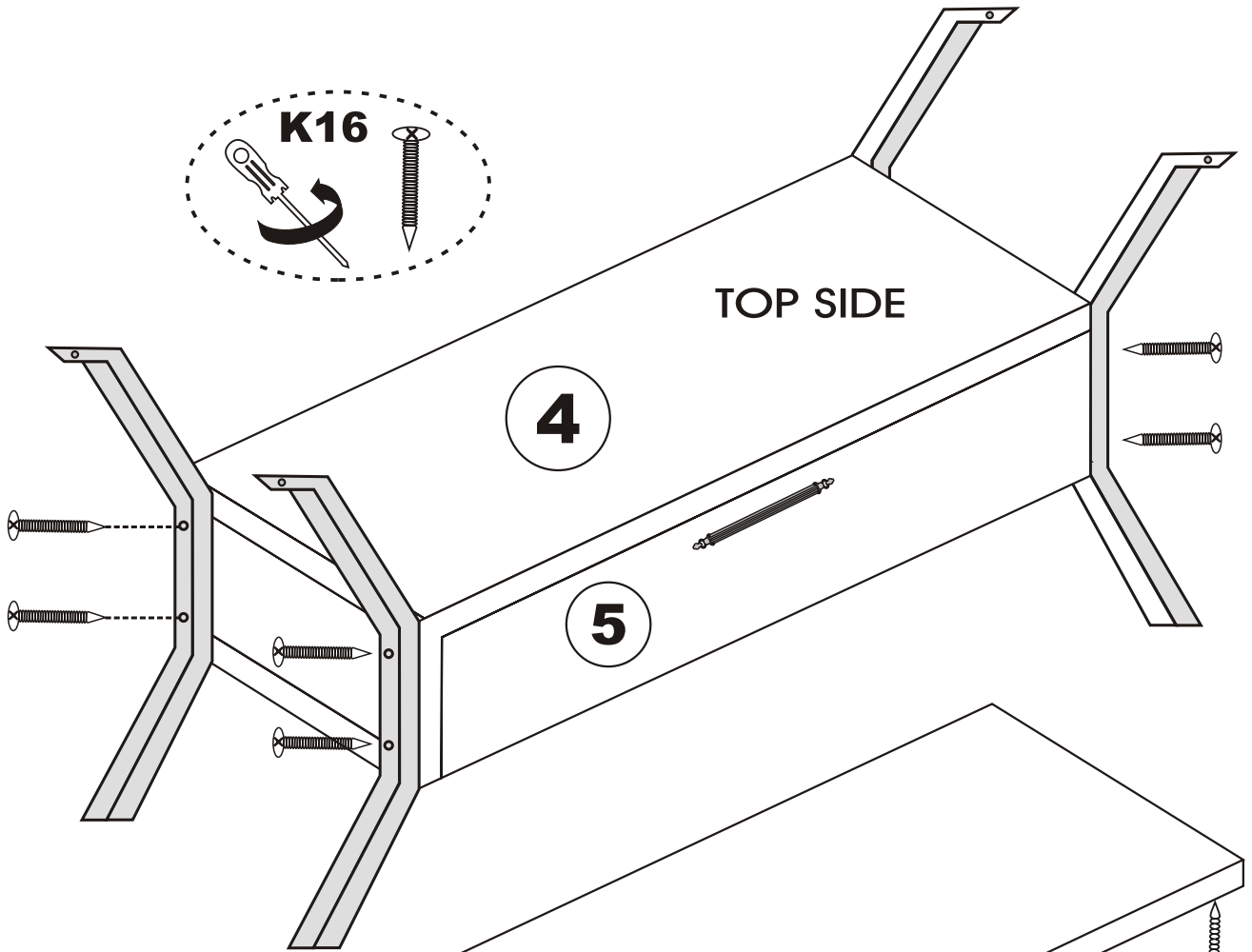
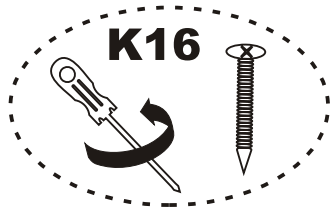


K22



4





6