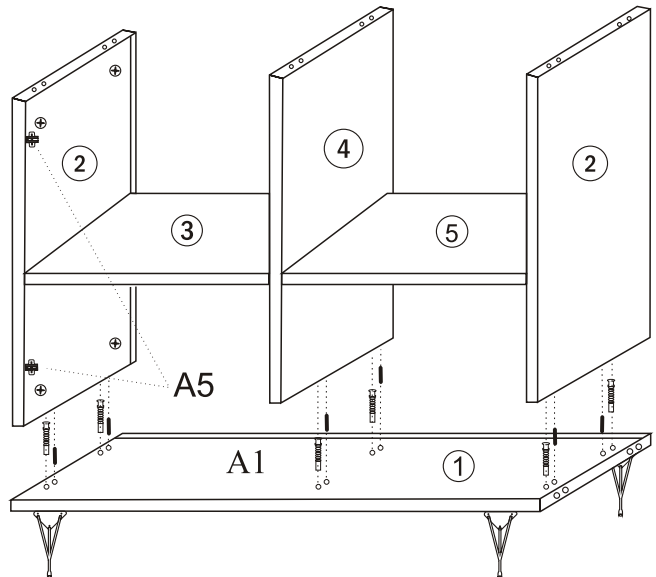
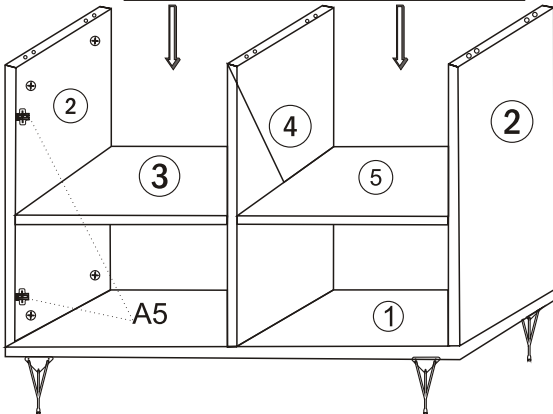
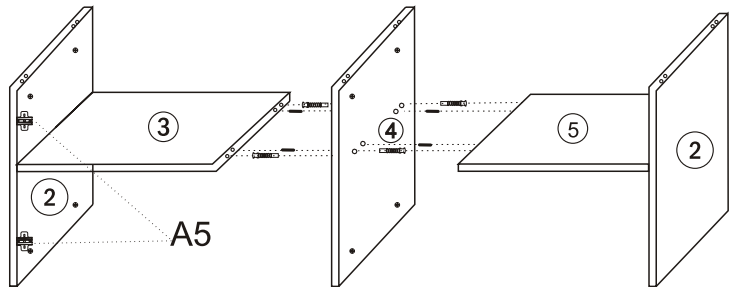
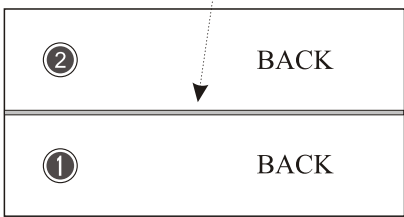
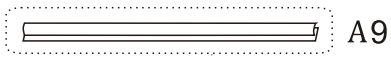
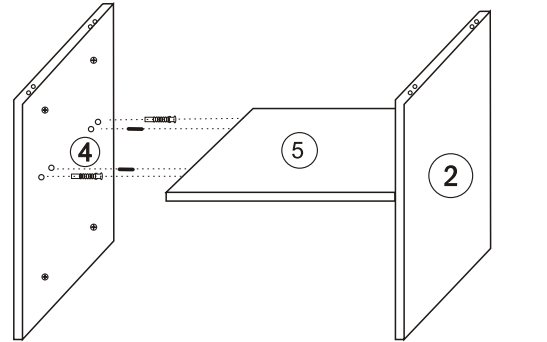
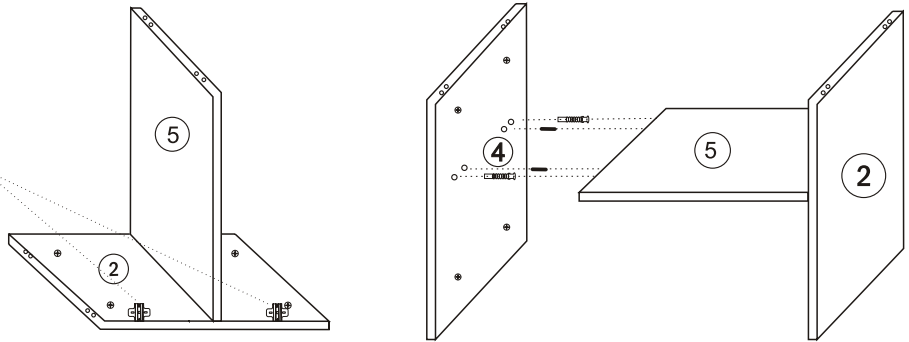
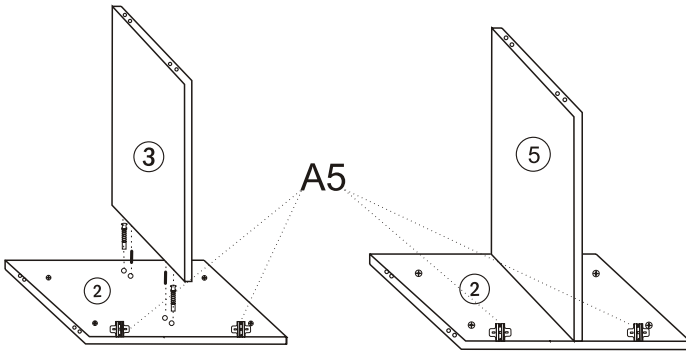
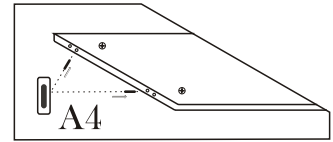
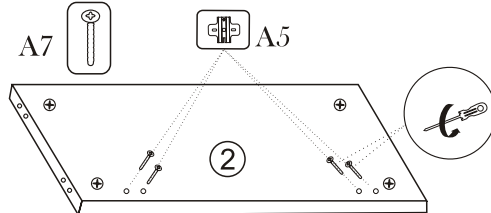
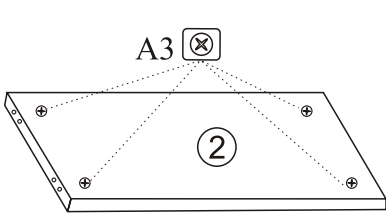
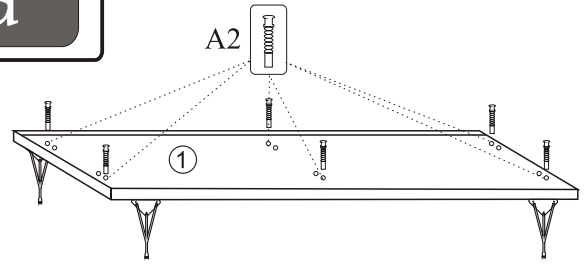
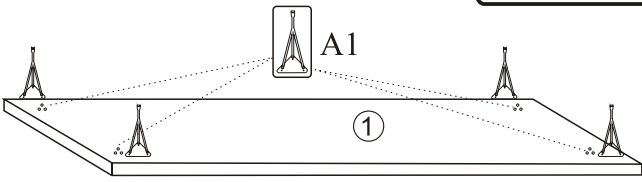
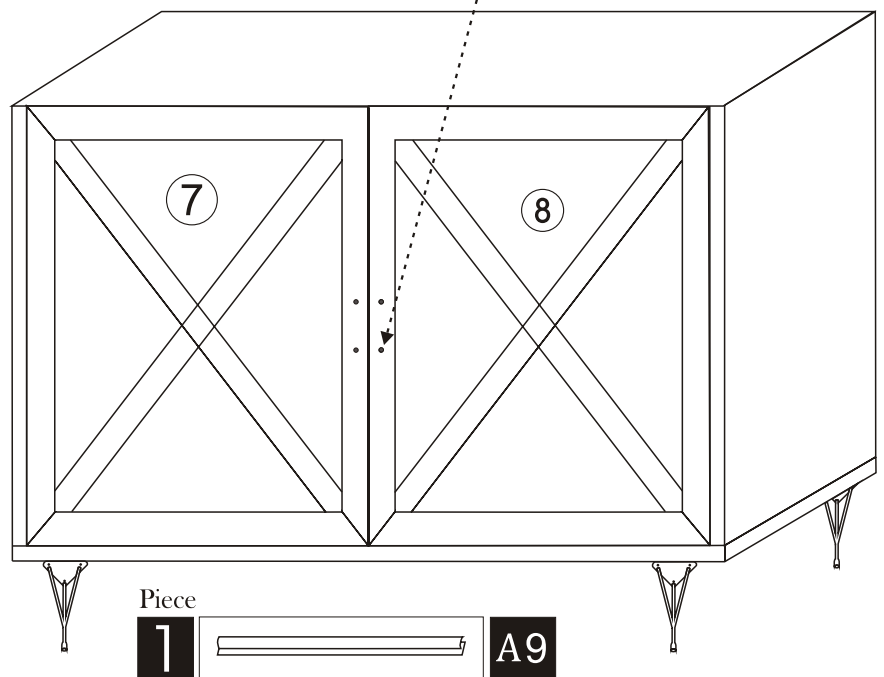
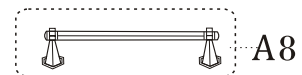
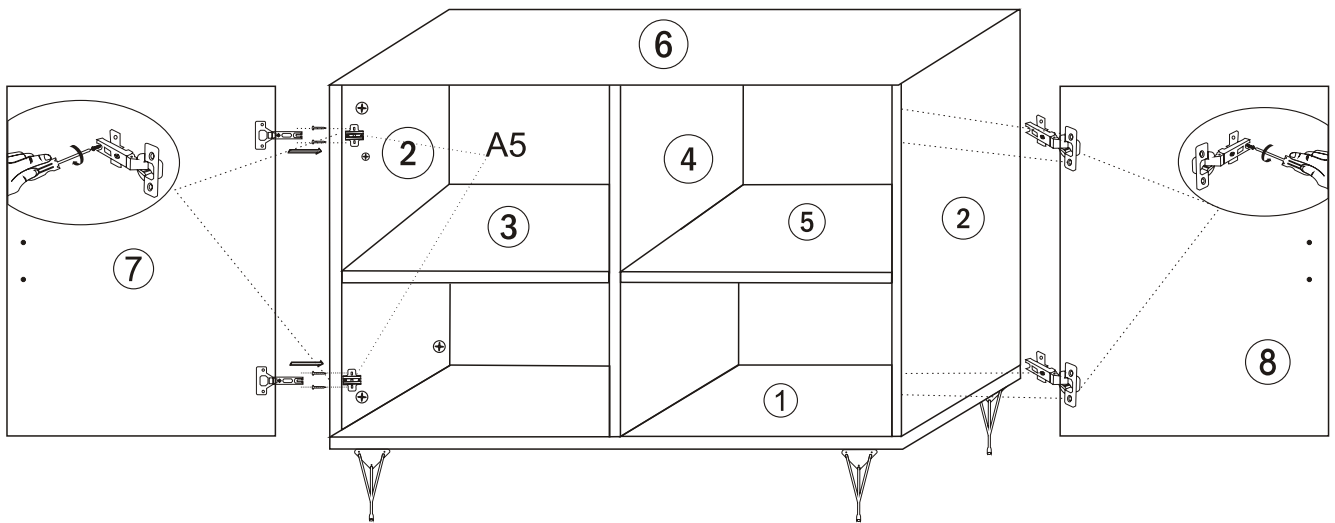
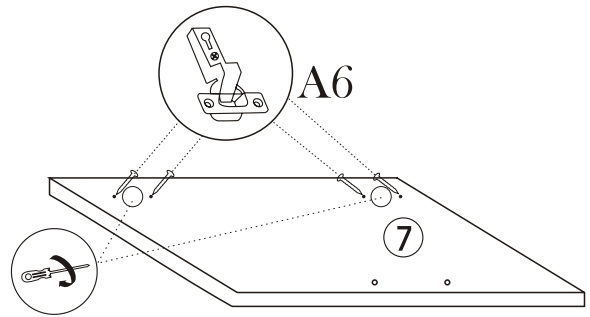
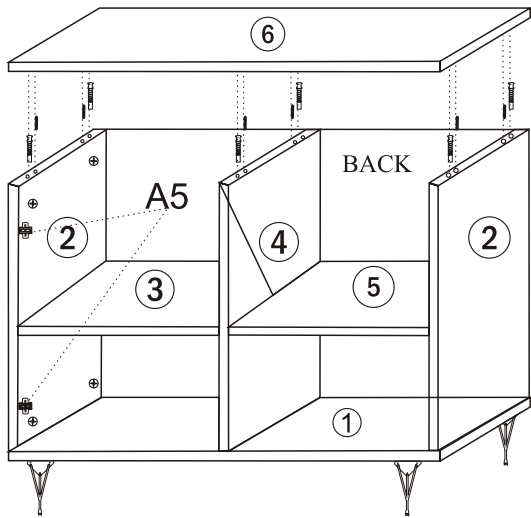


JUPITER Side Board





| | | | | |
|-------|-------|-------|-------|-------|
| Piece | Piece | Piece | Piece | Piece |
| 4 | 20 | 20 | 30 | 20 |
| | | | | |
| A1 | A2 | A3 | A7 | A4 |

| | | | |
|-------|-------|-------|-------|
| Piece | Piece | Piece | Piece |
| 4 | 4 | 4 | 2 |
| | | | |
| A5 | A6 | A8 | A8 |

| | |
|-------|----|
| Piece | |
| 1 | A9 |

P2

In case you need a spare part please indicate "model number" and "piecenumber" shown in the assembly, instructions.