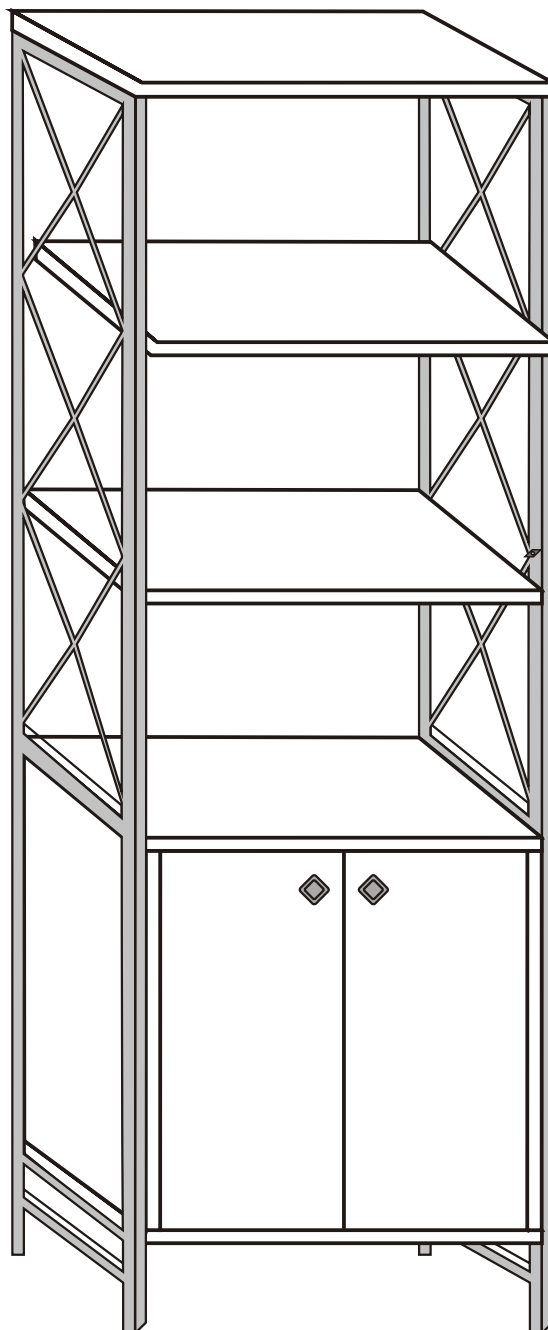


# Tervel Kitaplik

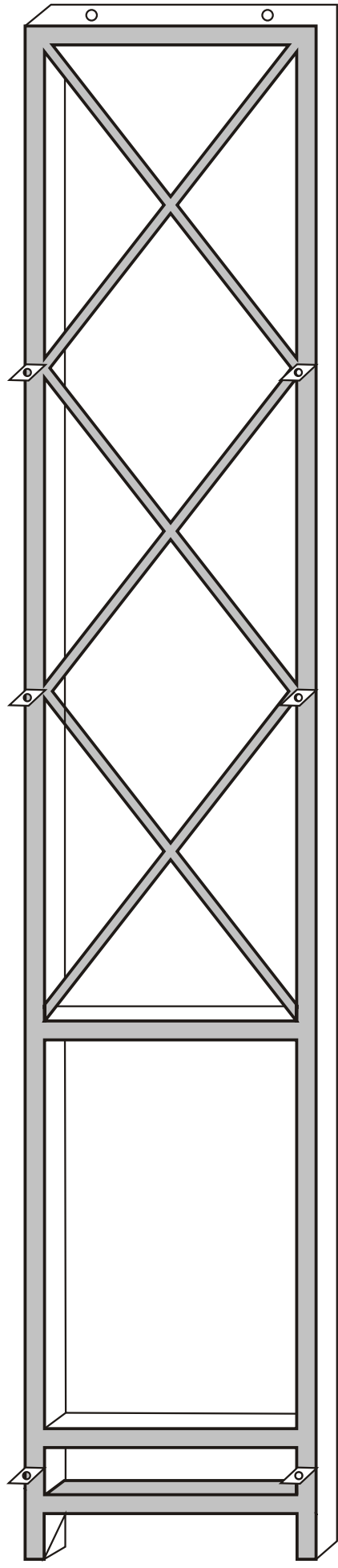
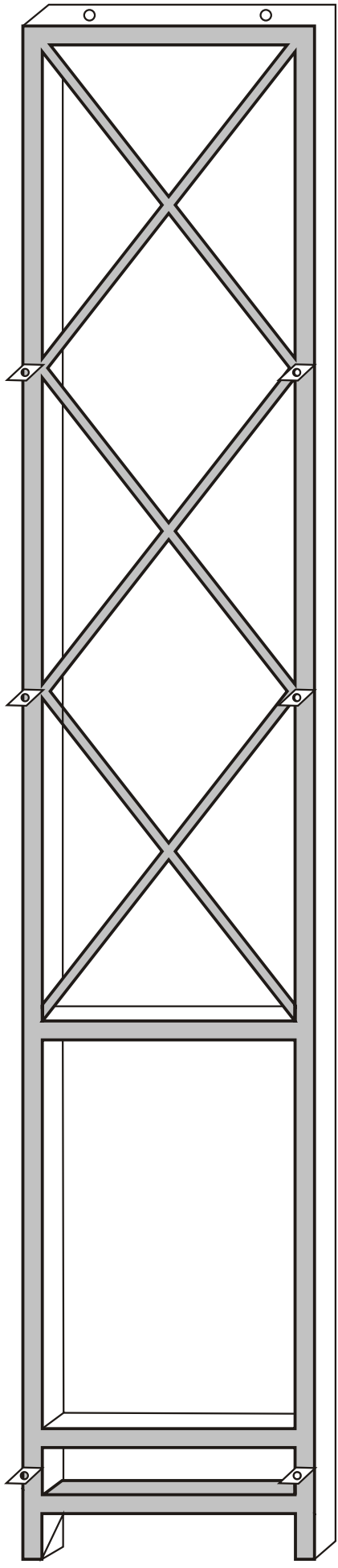
---

## Assembly Manual



---

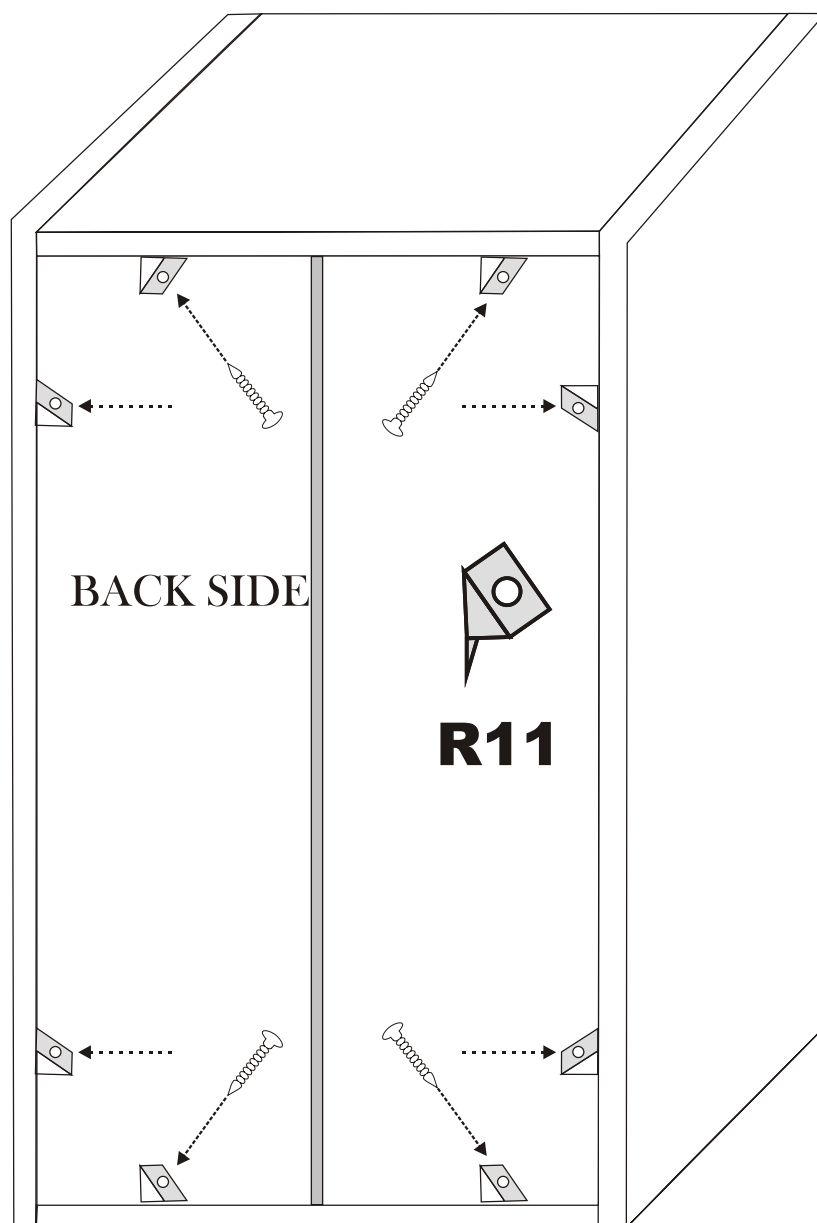
**KALUNE DESIGN**  
furniture



**A**

Fix the plastic parts included in the accessory pack to all corniture as shown in the picture .

This process will prevent any imbalance that may be caused by an uneven surface and it will provide a longer lasting, comfortable use .



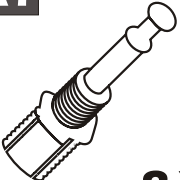


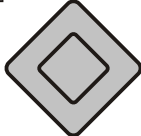
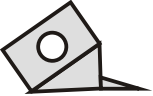


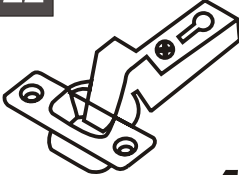

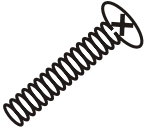

**B**

# Tervel Kitaplik

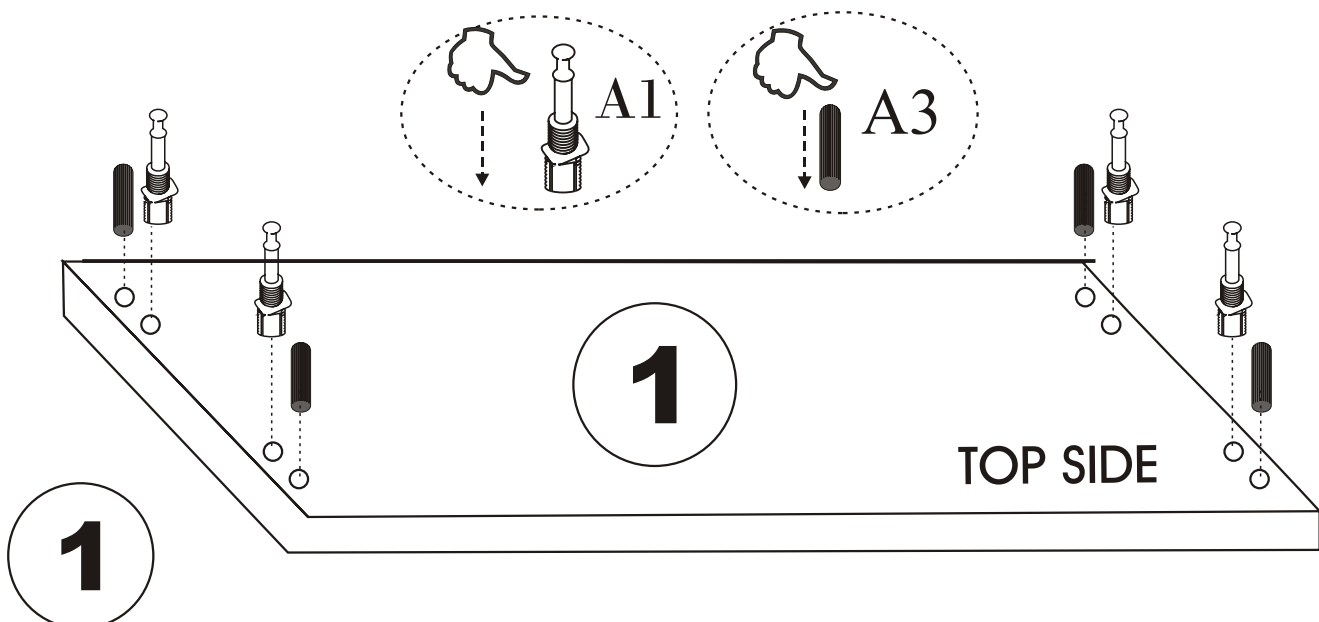
ATTENTION !!

Minifix is the main connection material used in Decortile products ,  
Before starting assembly , Please check the drawings below

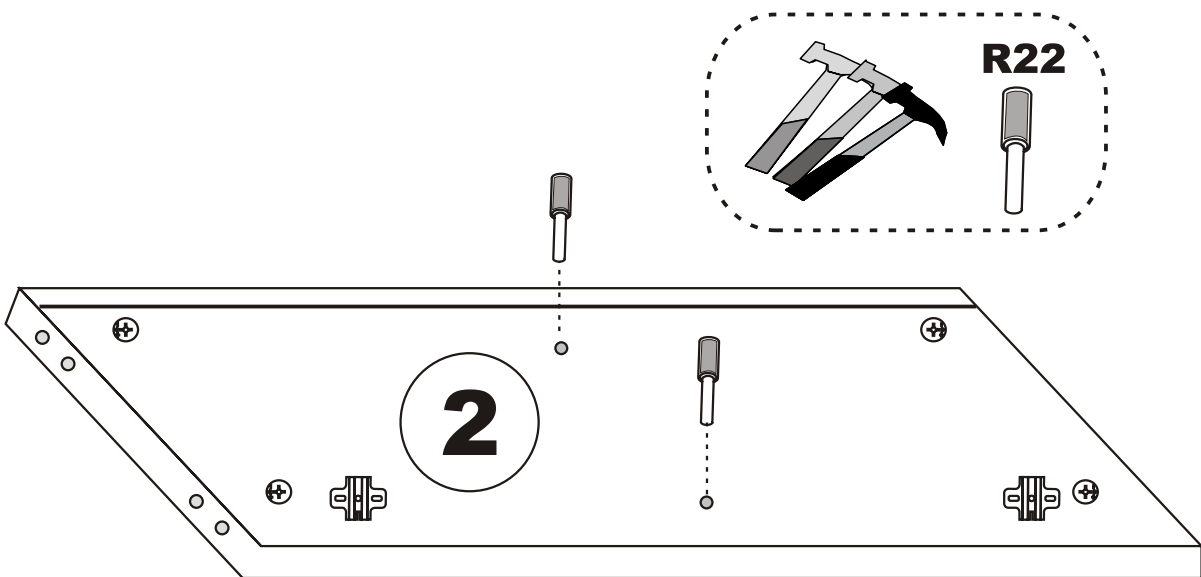
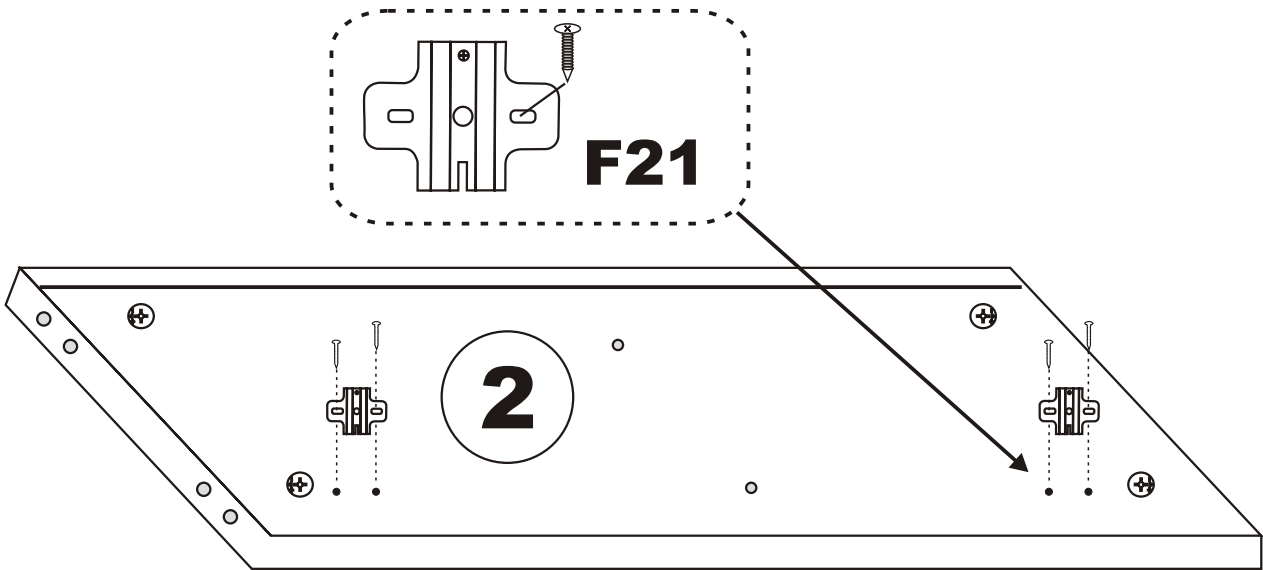
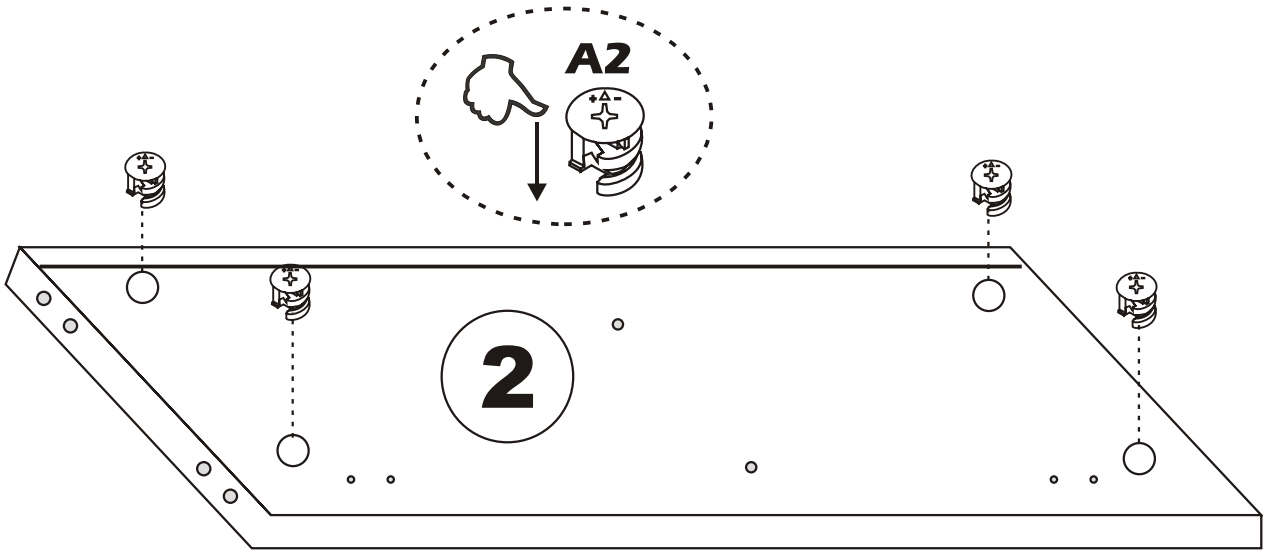
## Accessory List

<b>A1</b> Minifix  <b>8 X</b>	<b>A2</b> Minifix  <b>8 X</b>	<b>A3</b>  <b>8 X</b>	<b>Z11</b>  <b>2 X</b>
<b>R11</b>  <b>10 X</b>	<b>N20</b>  <b>38 X</b>	<b>F21</b>  <b>4 X</b>	<b>F22</b>  <b>4 X</b>
<b>H10</b>  <b>4 X</b>	 <b>2 X</b>	<b>F17</b>  <b>4 X</b>	

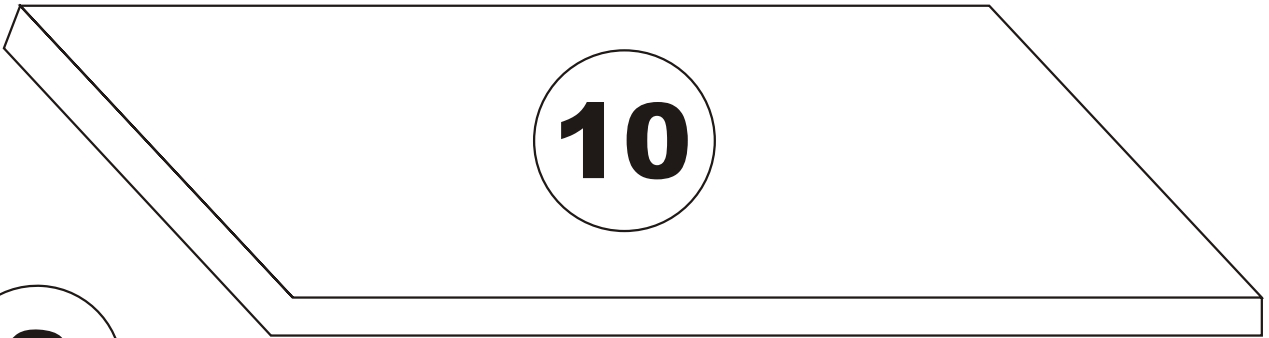
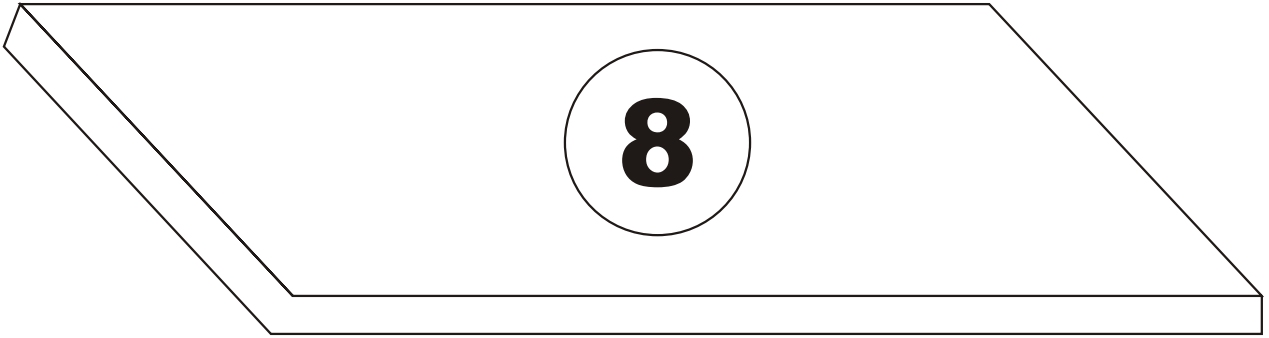
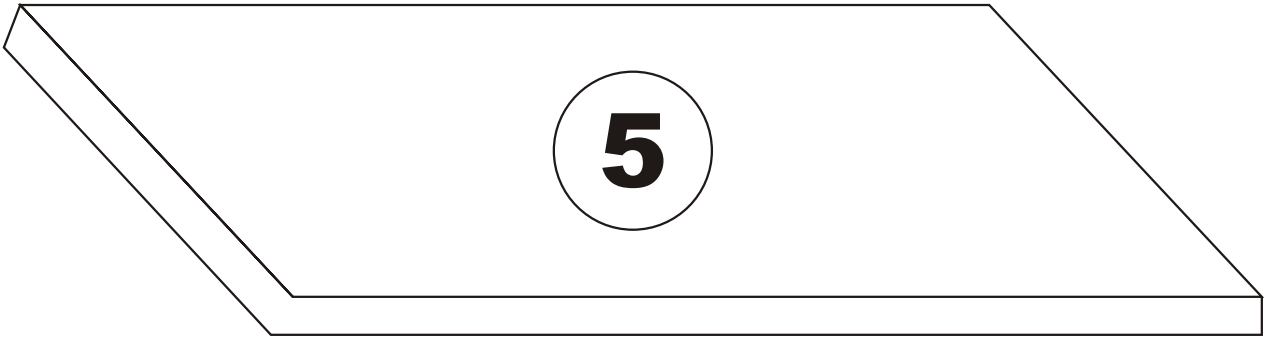
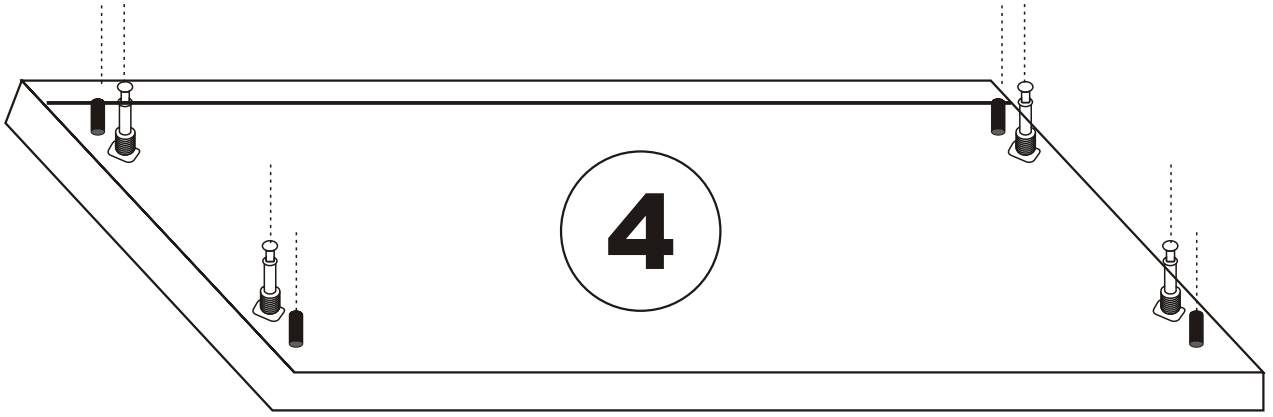
## General view

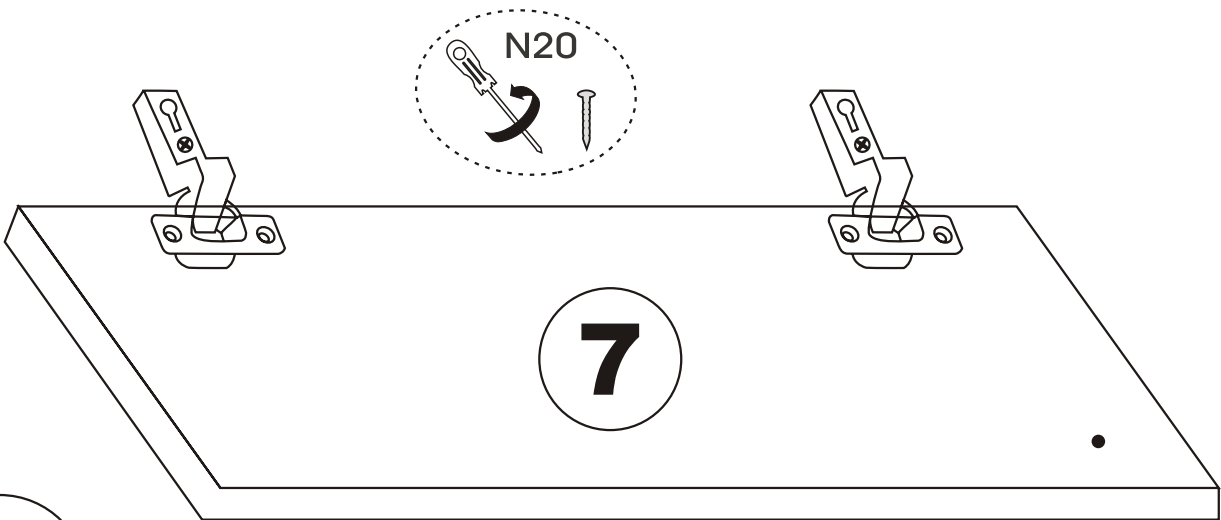
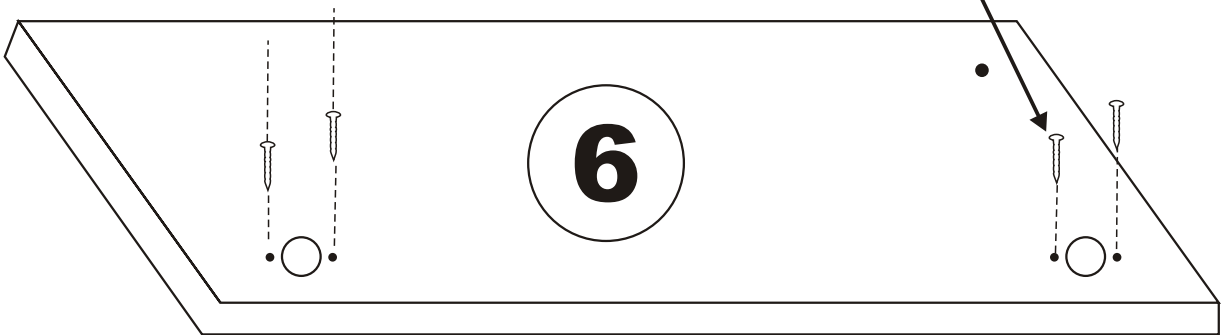
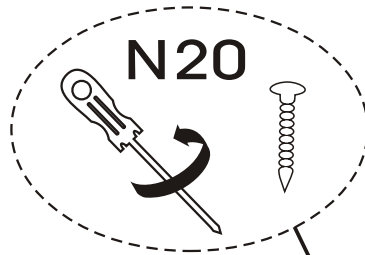
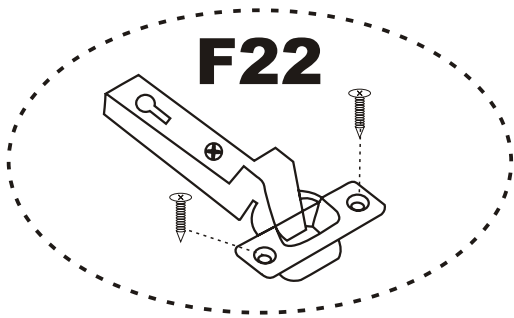
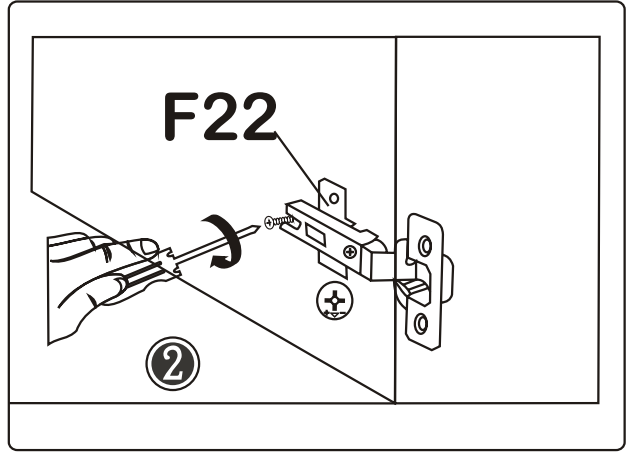
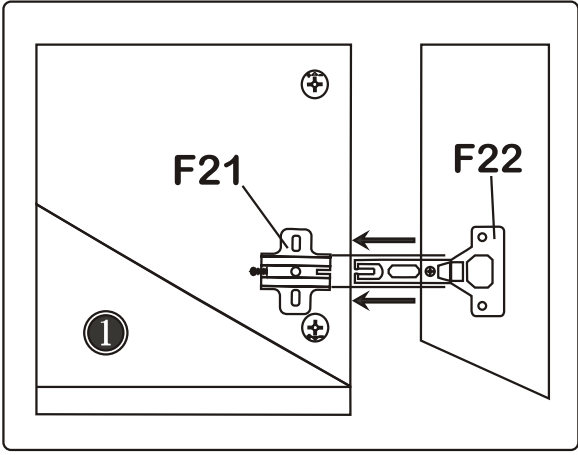




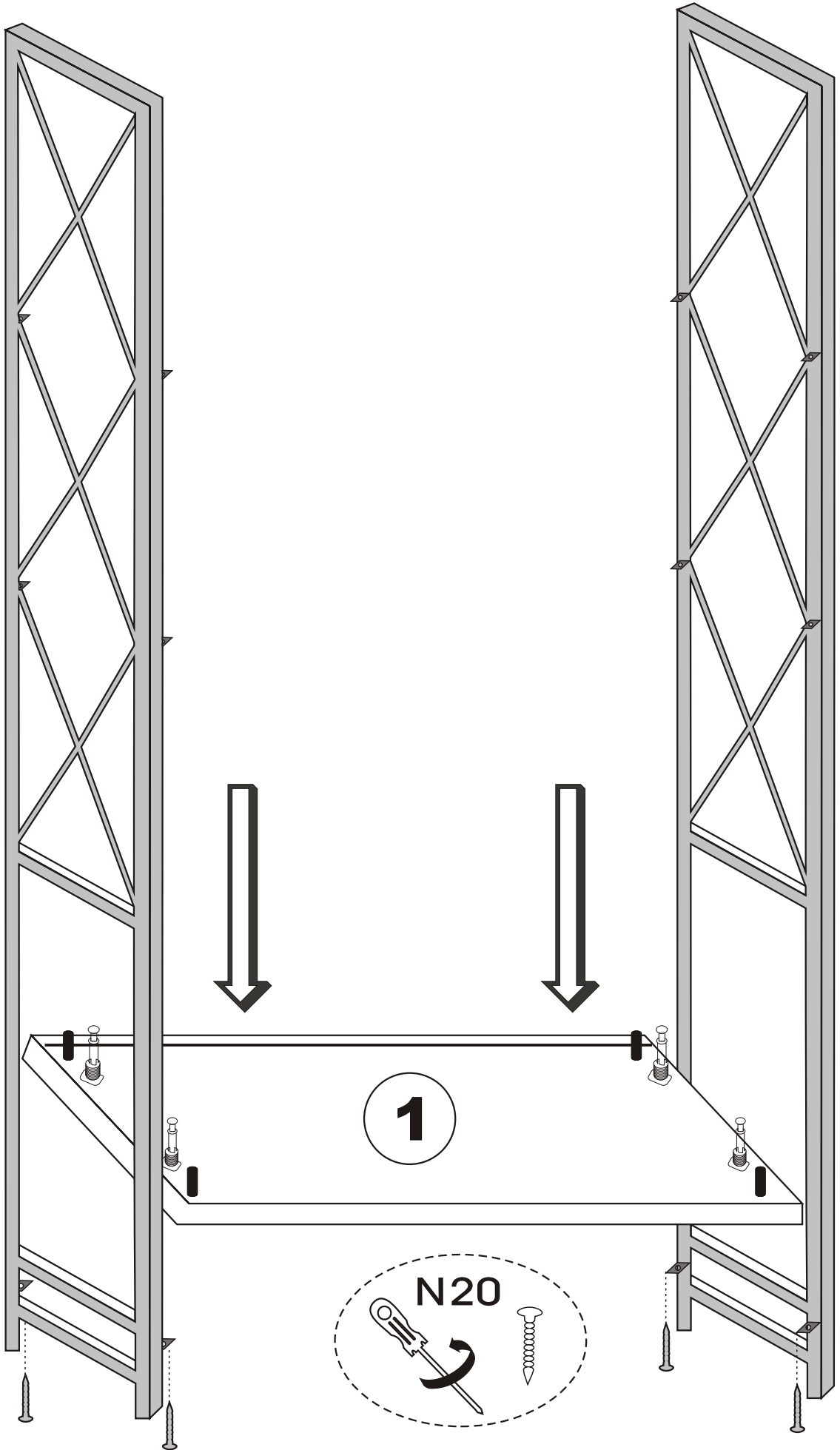


2





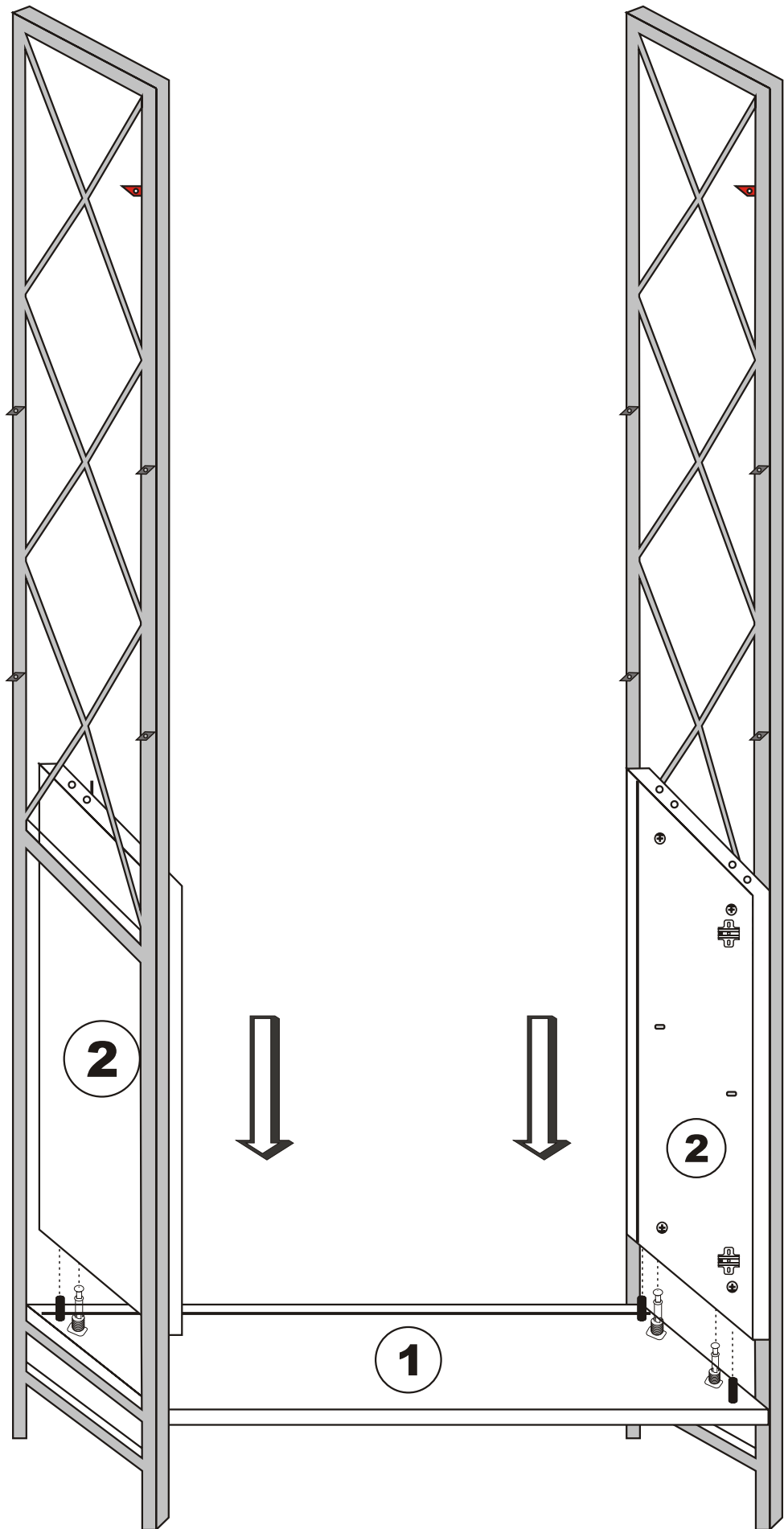
**5**



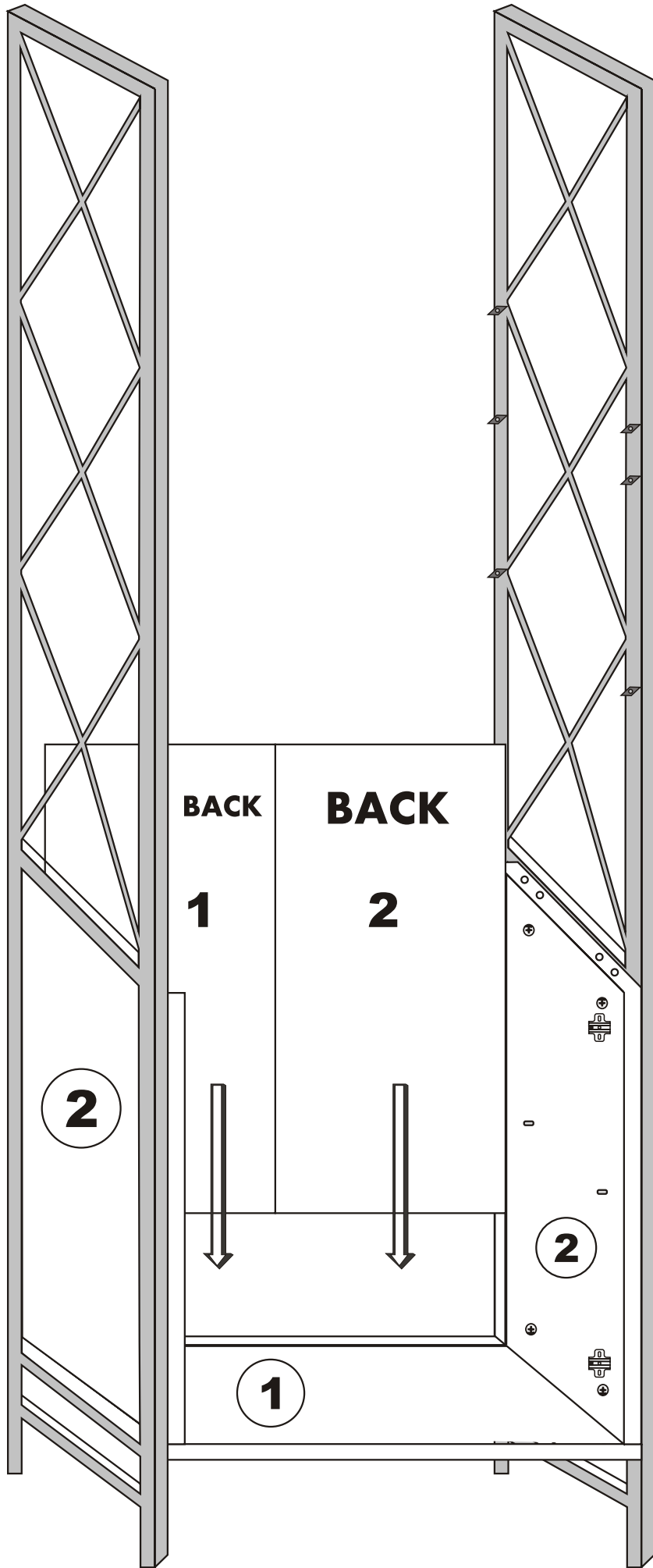
**1**

N20

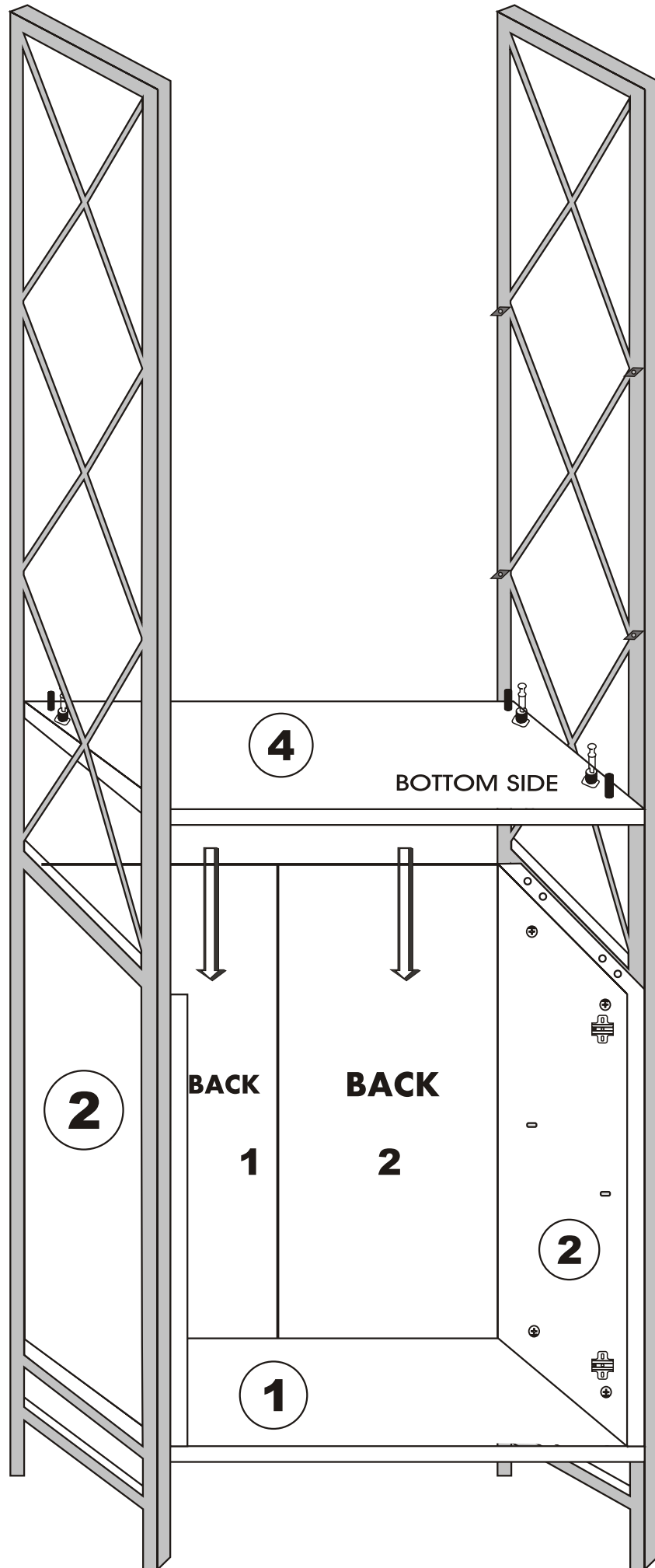
**6**



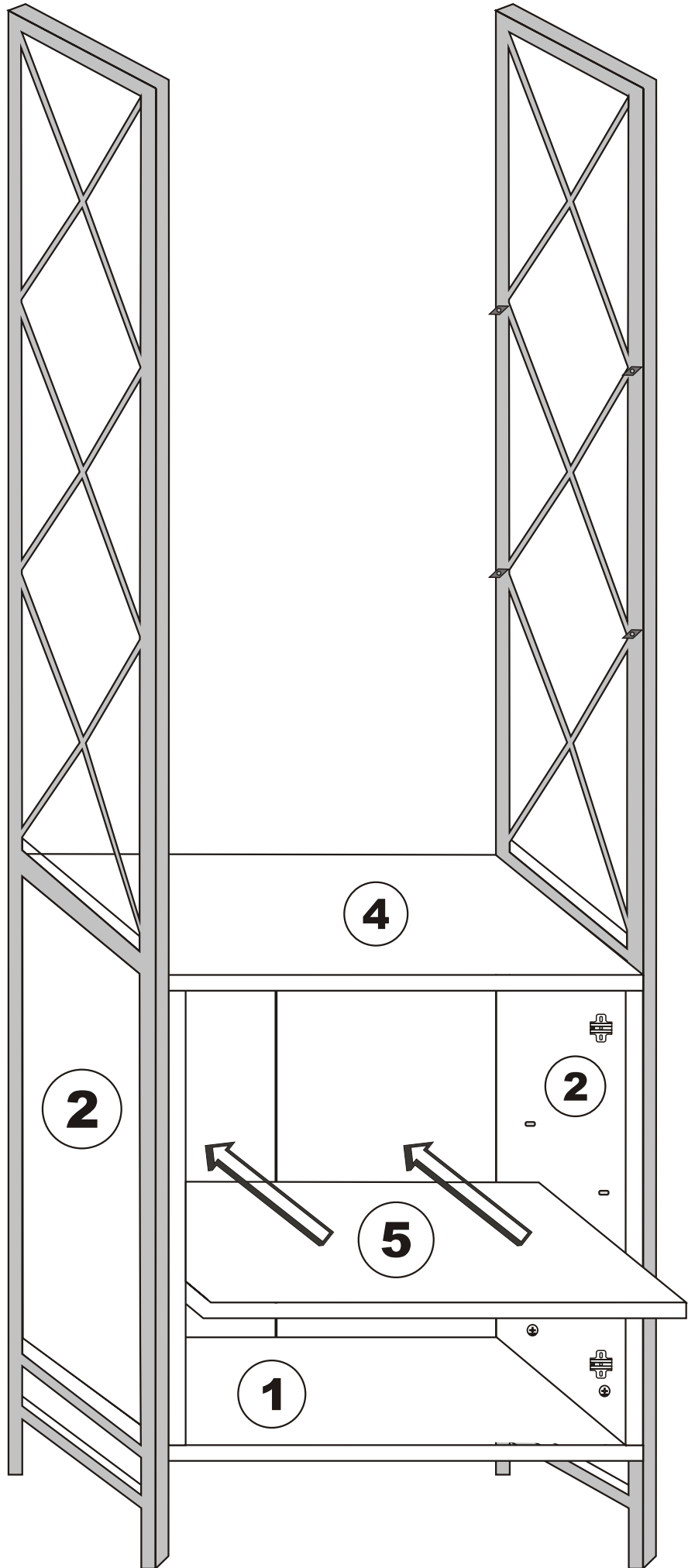
**7**



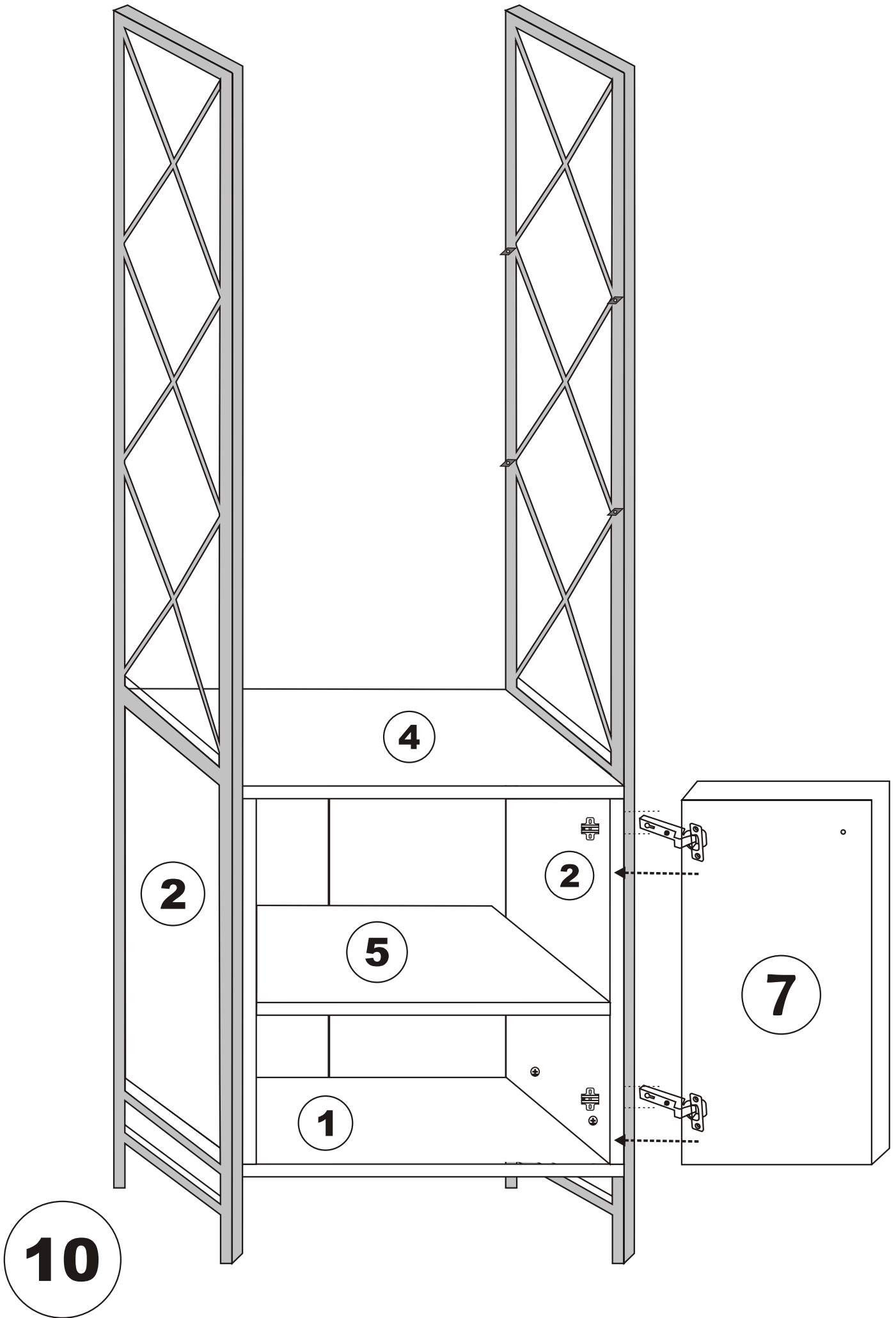
8



9

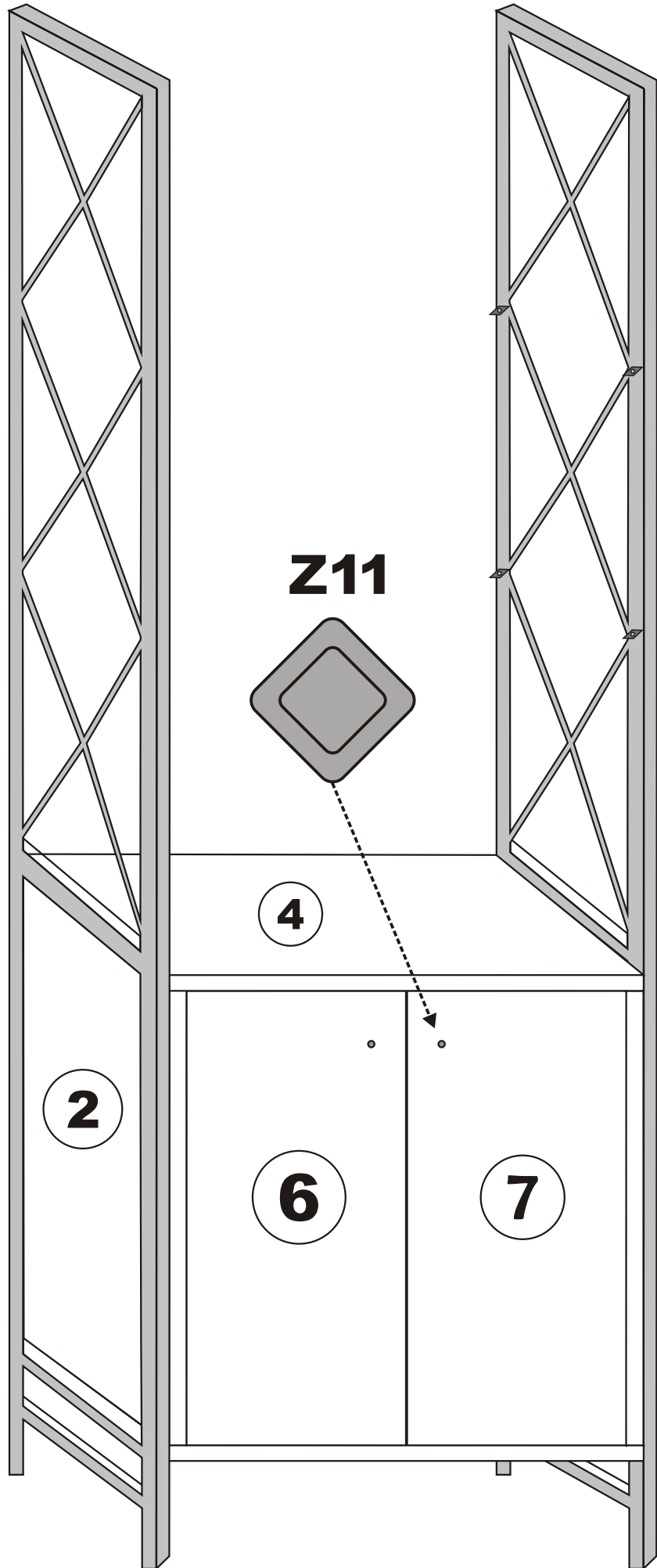


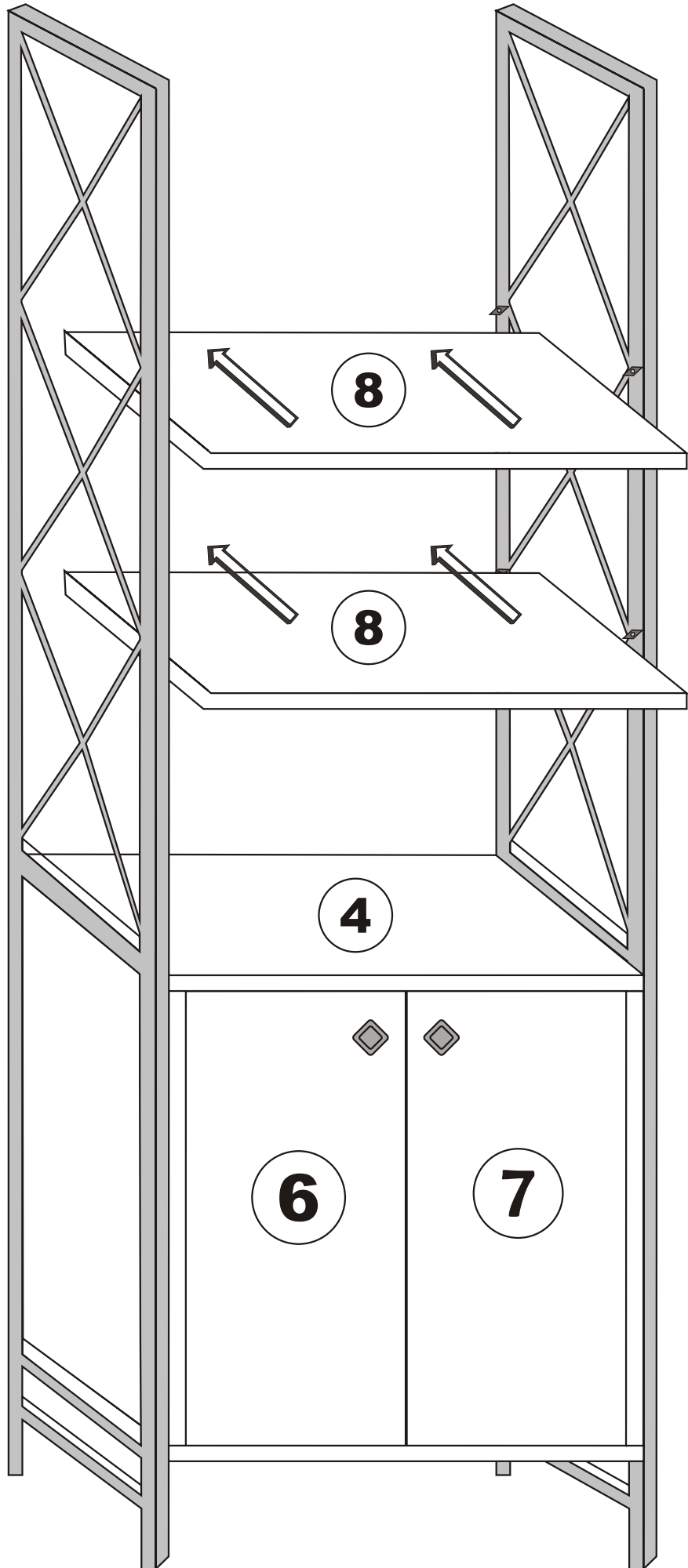




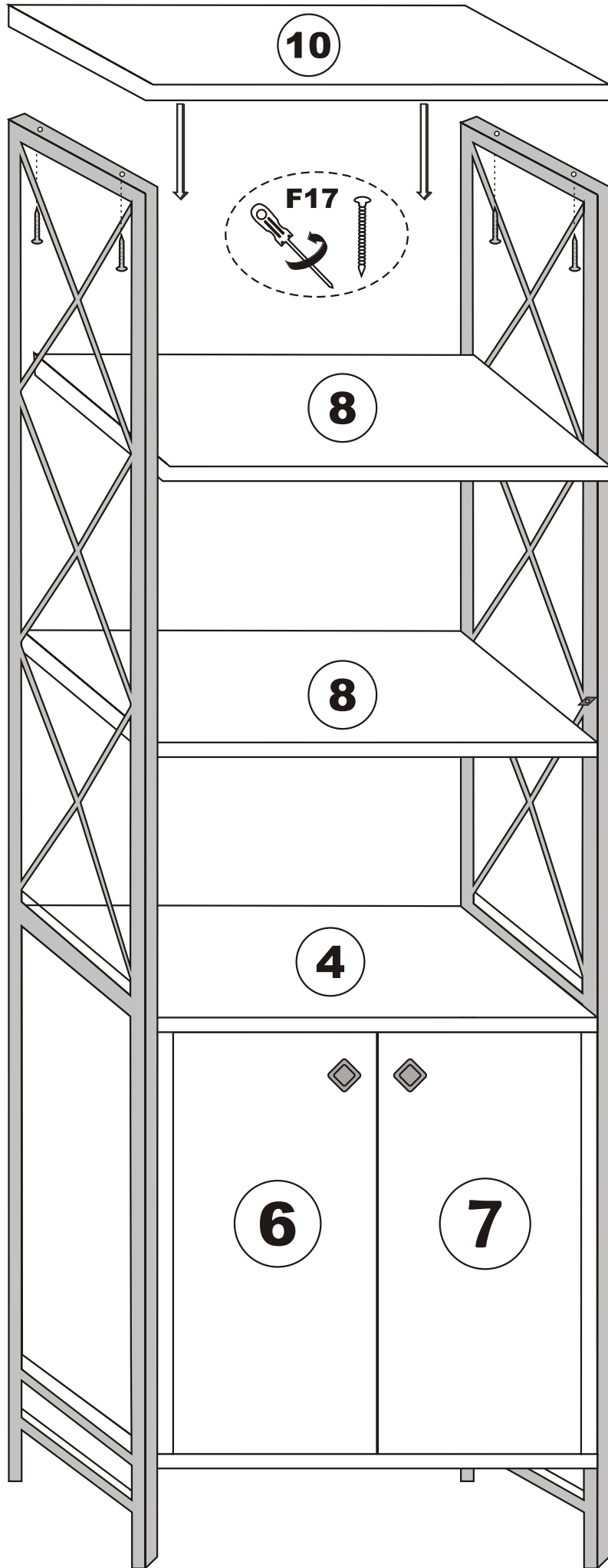
**10**

11





12



**13**