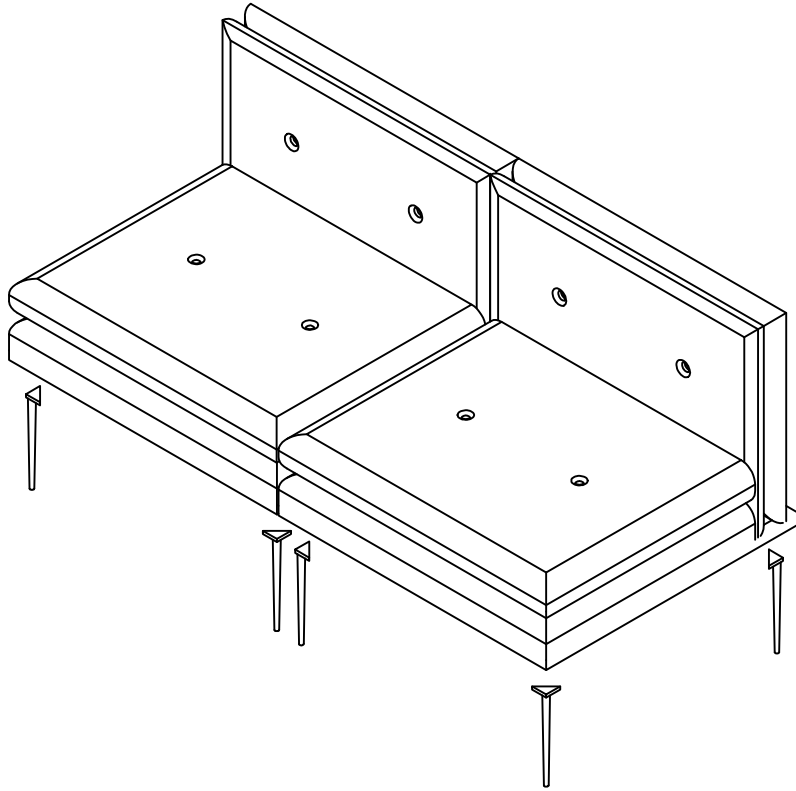


MONTAJ ADIMLARI

ASSEMBLY INSTRUCTIONS



FUTON

ÜRÜN

MARTİN SOFABED ÜÇLÜ KANEPE

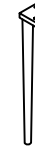
PRODUCT

MARTIN SOFABED

AKSESUAR LİSTESİ-ACCESSORIES LIST

ACCESSORIE NO

AYAK



8 ADET

ACCESSORIE NO

M8X20 CİVATA



16 ADET

ACCESSORIE NO

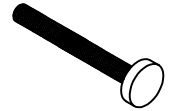
M8 KELEBEK SOMUN



2 ADET

ACCESSORIE NO

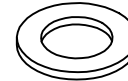
M8X70 CİVATA



2 ADET

ACCESSORIE NO

RONDELA



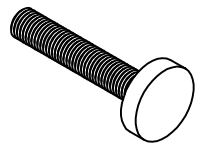
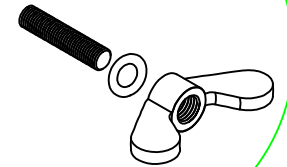
4 ADET

MONTAJ ADIMLARI

ASSEMBLY INSTRUCTIONS

**ONLY LEGS OF
THE SOFA
ARE DELIVERED
DEMOUNTED**

M8X70 VIDA



M8X20

