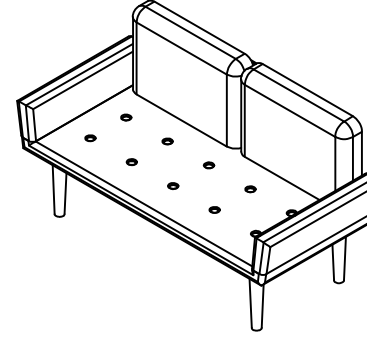
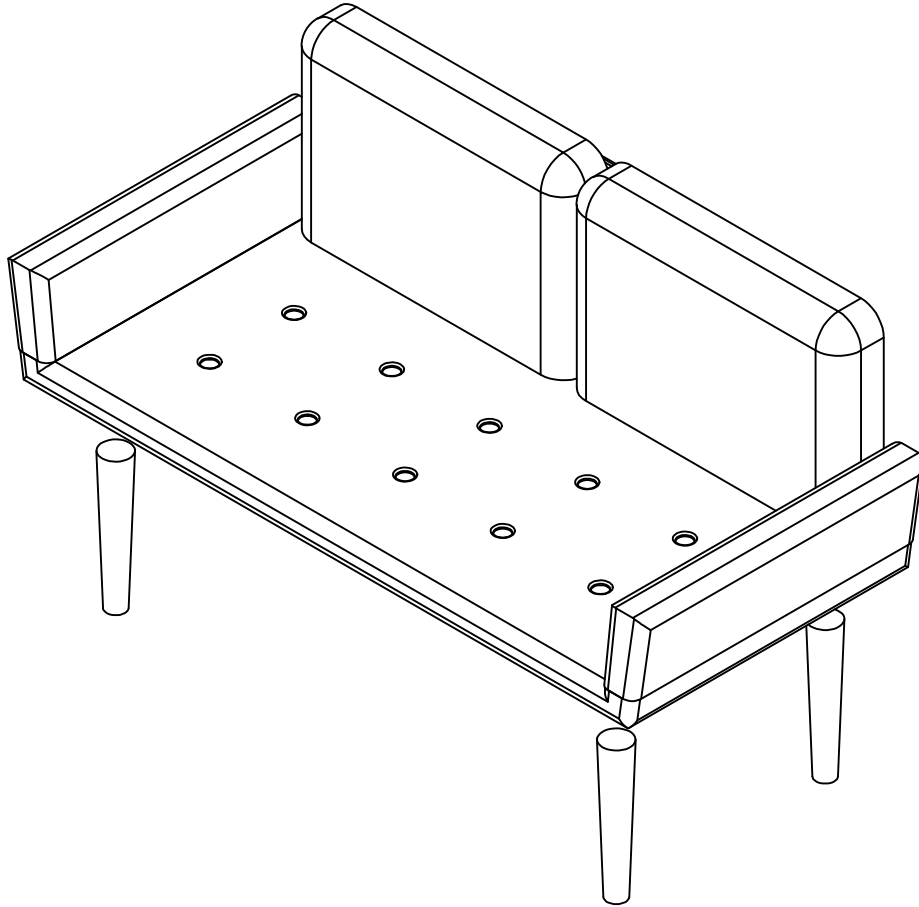


MONTAJ ADIMLARI

ASSEMBLY INSTRUCTIONS



FUTON

ÜRÜN

NİNA DAYBED İKİLİ KANEPE

PRODUCT

NİNA DAYBED

AKSESUAR LİSTESİ-ACCESSORIES LIST

ACCESSORIE NO

AYAK



4 ADET

ACCESSORIE NO

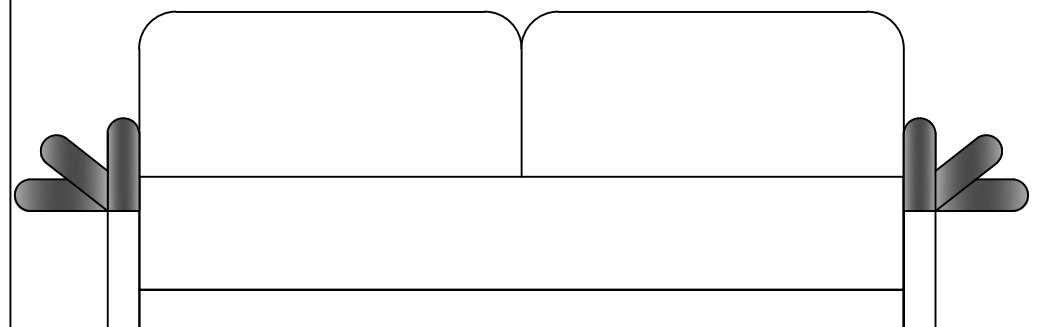
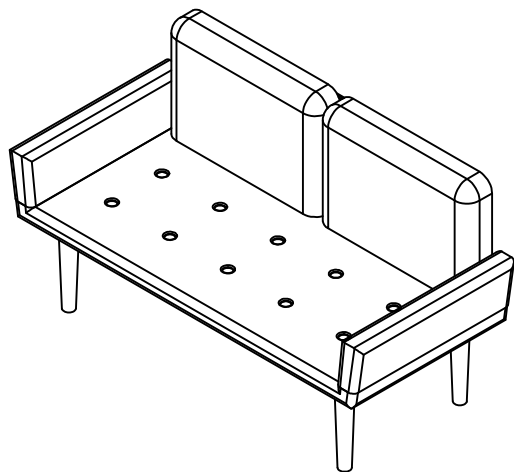
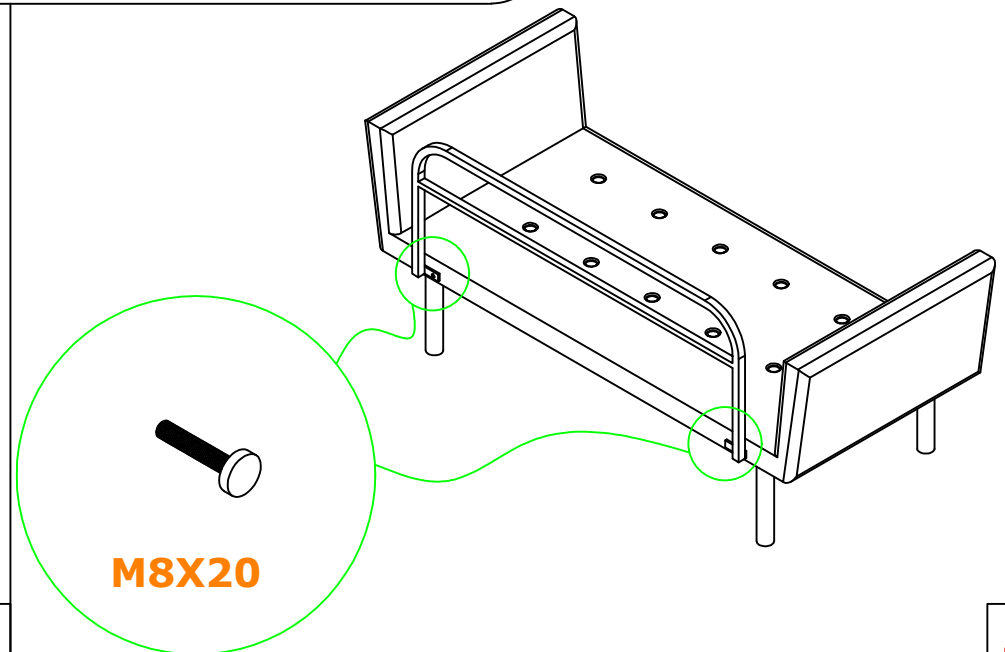
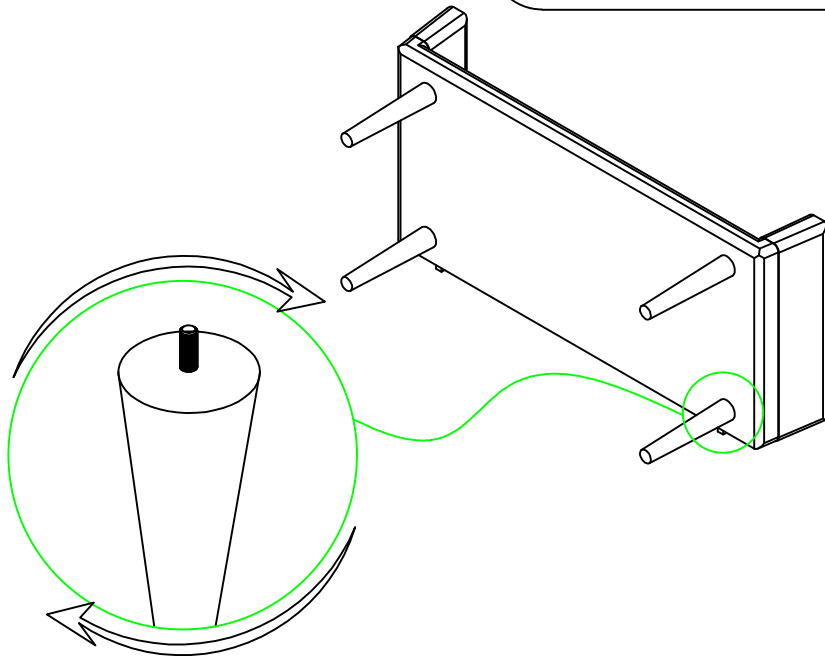
M8X20 CIVATA



2 ADET

MONTAJ ADIMLARI

ASSEMBLY INSTRUCTIONS



Backrest mechanisms working independently from each other and each offering 3-steps of movement.