

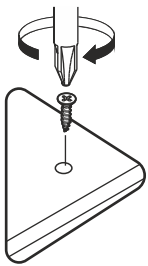
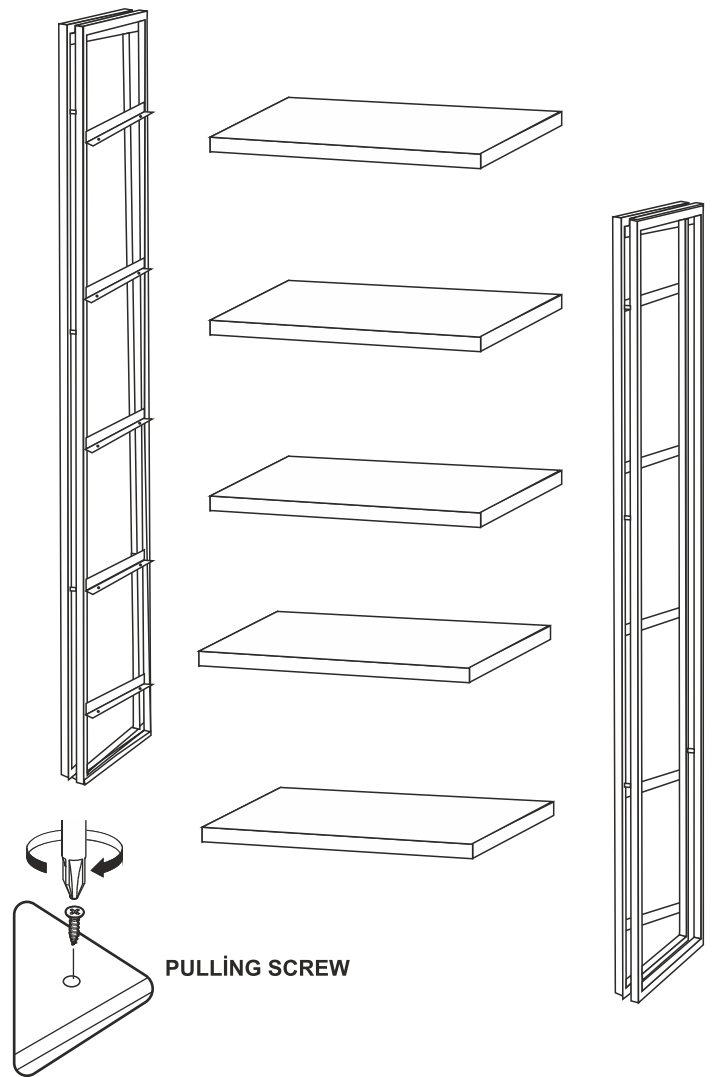
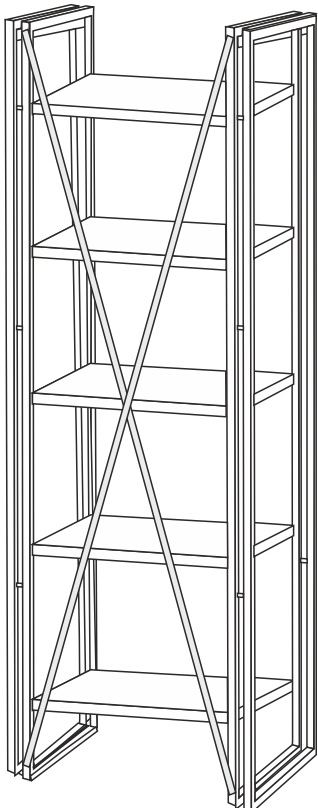
 <b>4x50 CHIPBOARD SCREW x5</b>	 <b>PULLING SCREW x 30</b>	 <b>FOOT SEAL x 8</b>	

\* FIX THE ACCESORIES AS SHOWN FOLLOW THE INSTALLATION SEQUENCE WHILE INSTALLING THE PRODUCT .



**4x50 CHIPBOARD SCREW**



## UV2020403 COSMO PENTA ( BOOKSHELF ) ASSEMBLY GUIDE

