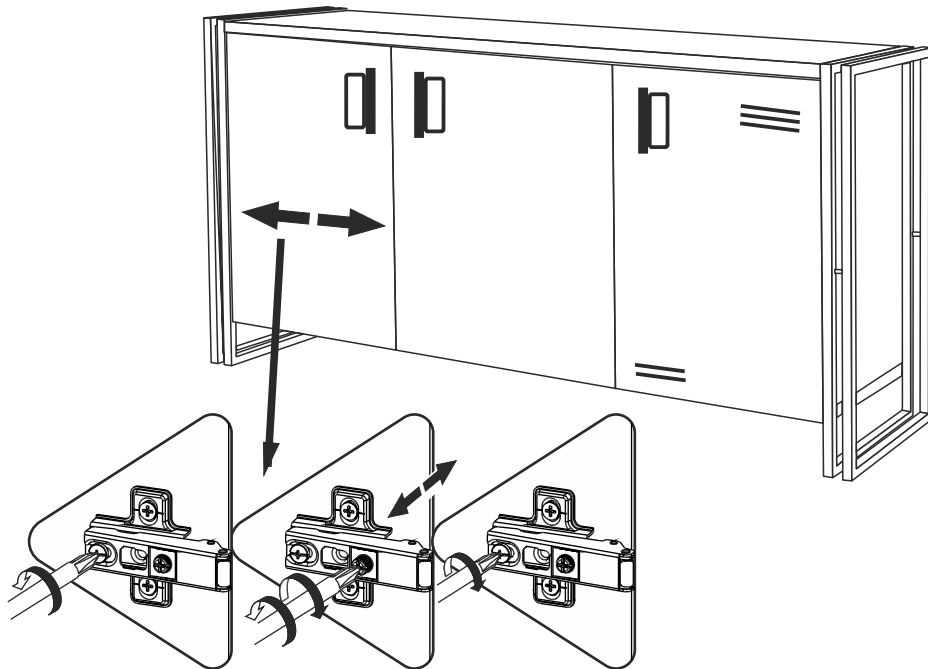
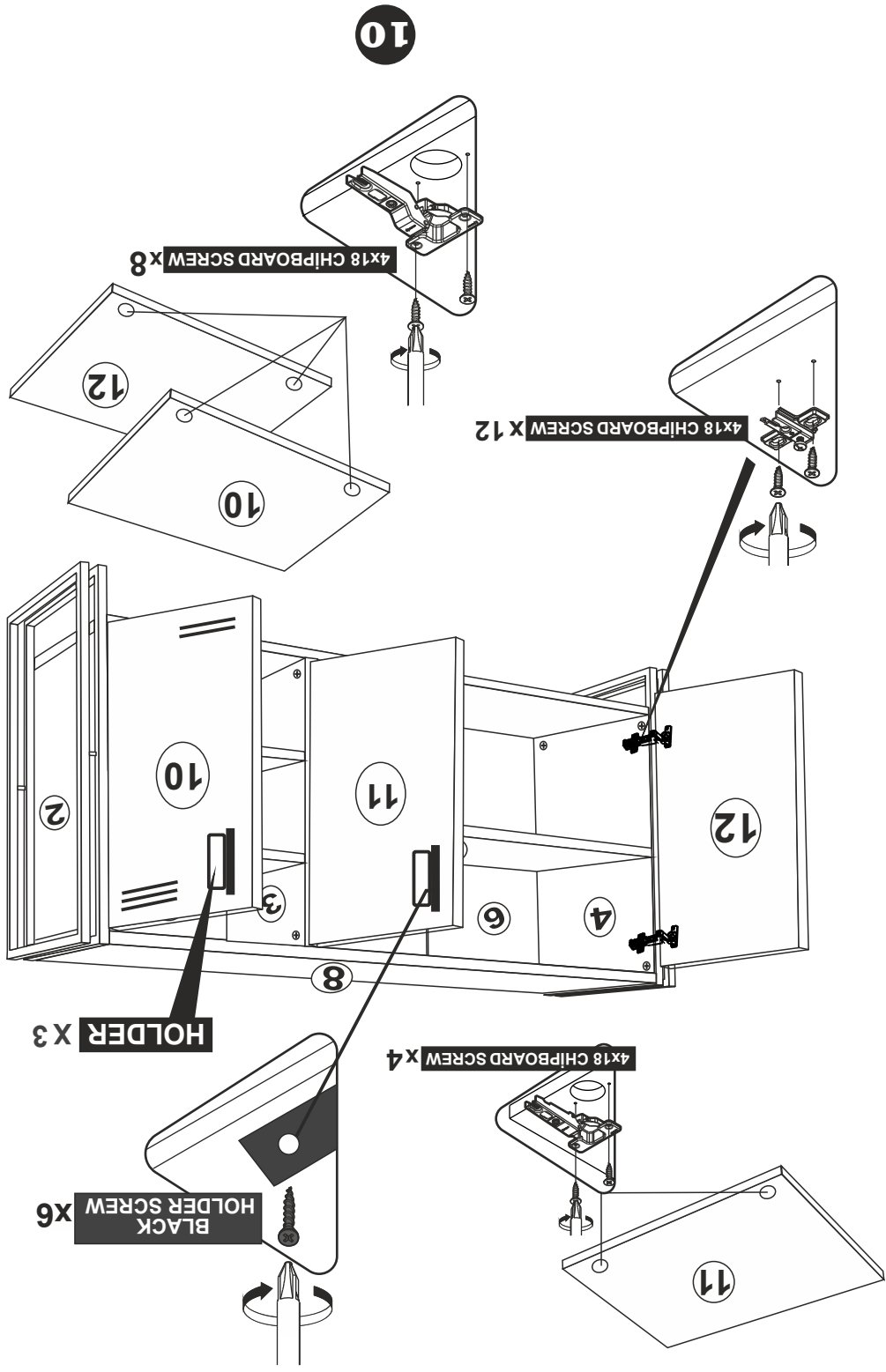
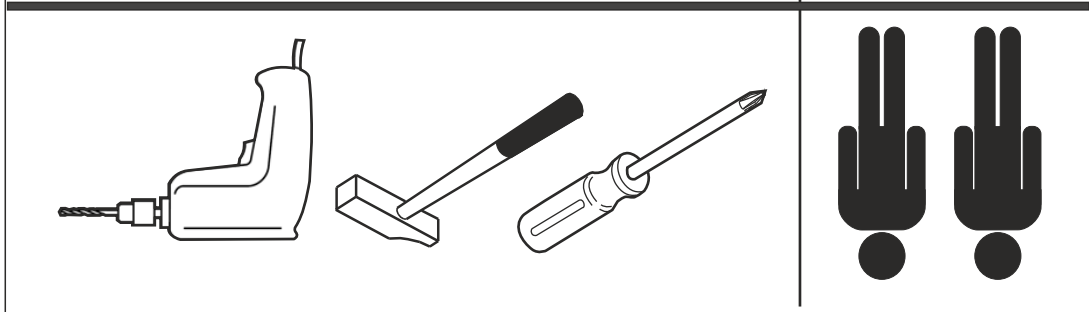


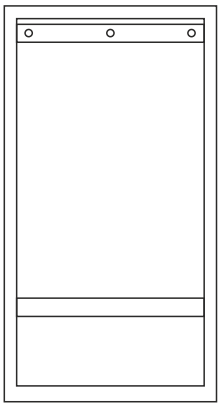
**UV2140403**  
**COSMO NORA (SIDE BOARD)**  
**ASSEMBLY GUIDE**





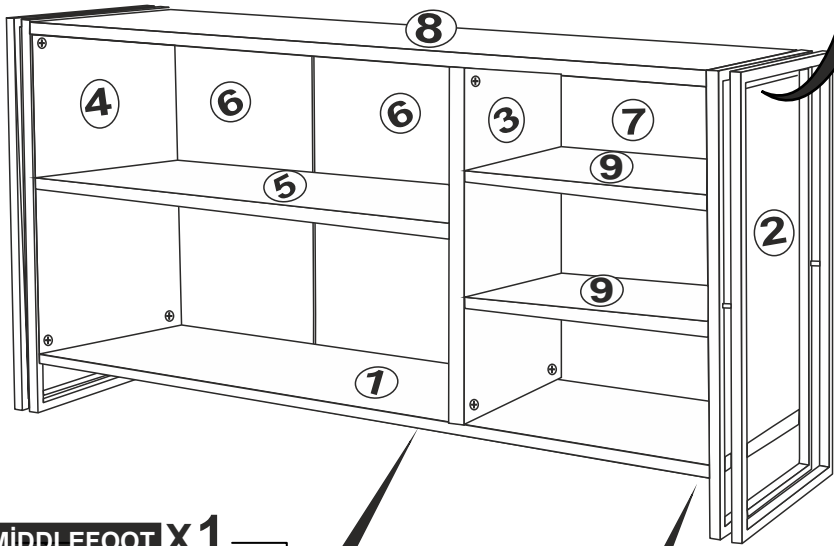
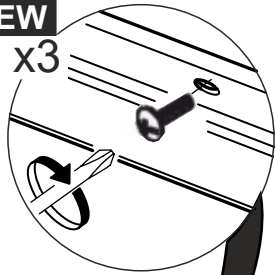



\* FIX THE ACCESSORIES AS SHOWN FOLLOW THE INSTALLATION SEQUENCE WHILE INSTALLING THE PRODUCT .

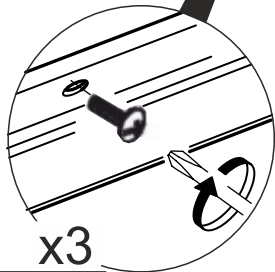
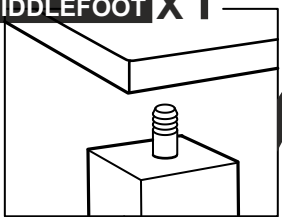


**PULLING SCREW**

x3



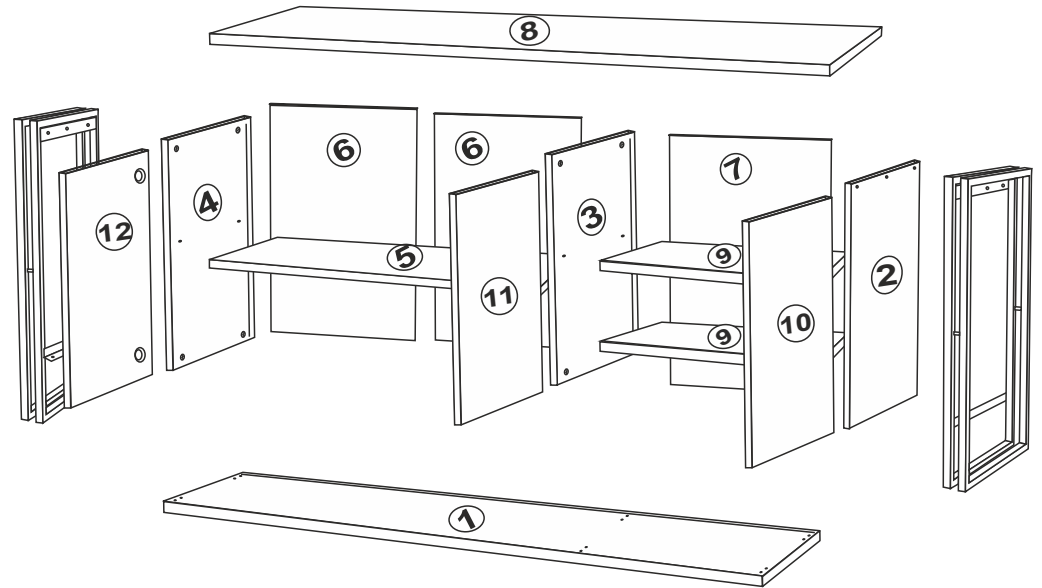
**MIDDLEFOOT X1**



x3

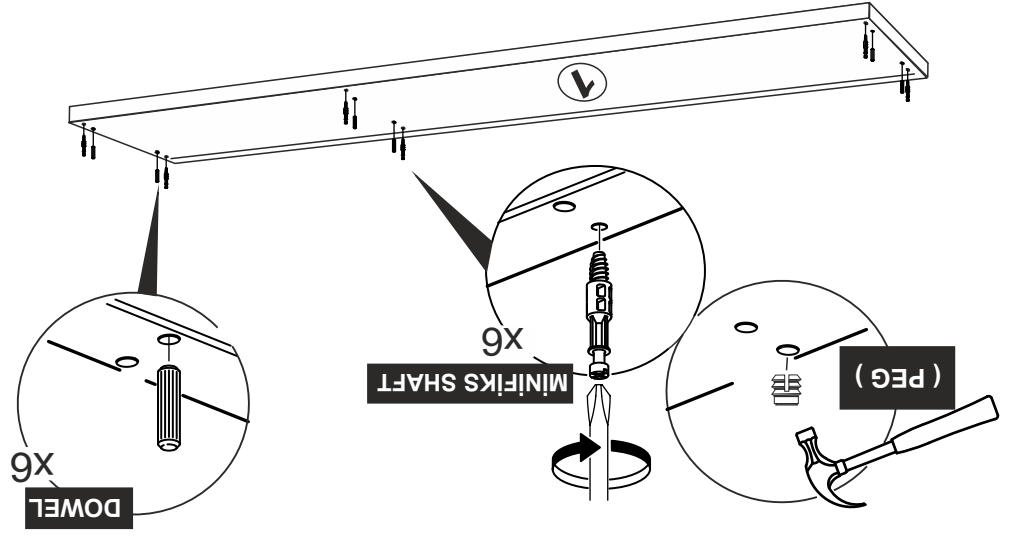
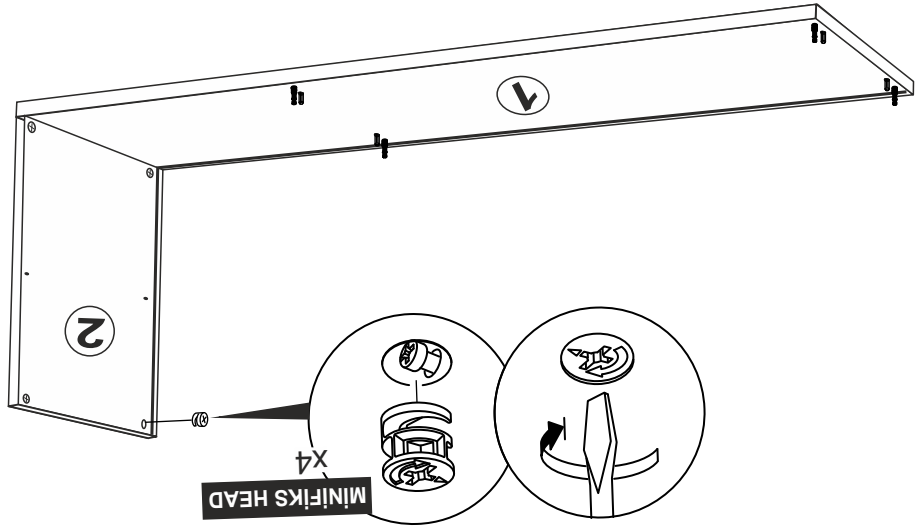
**PULLING SCREW**

**9**

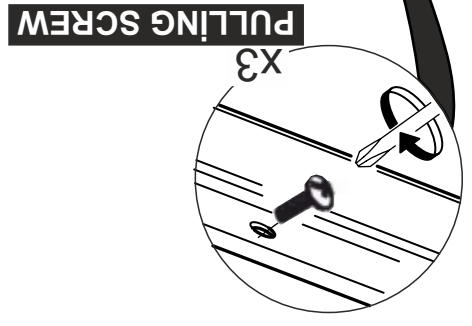
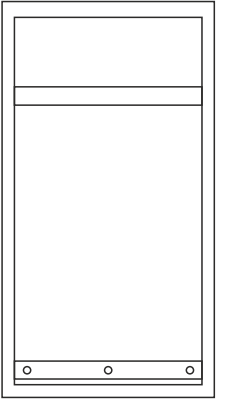
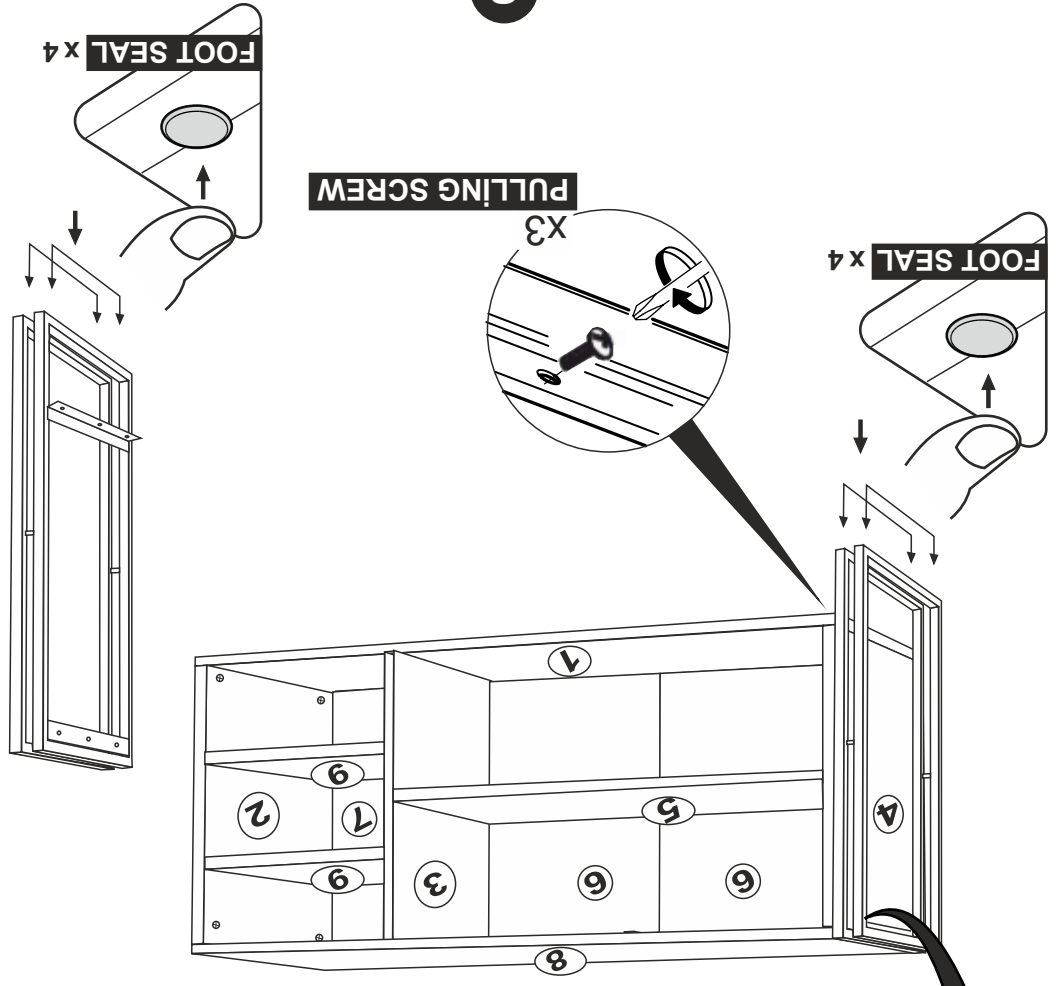


**2**

3

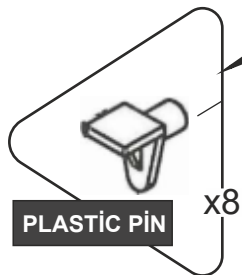
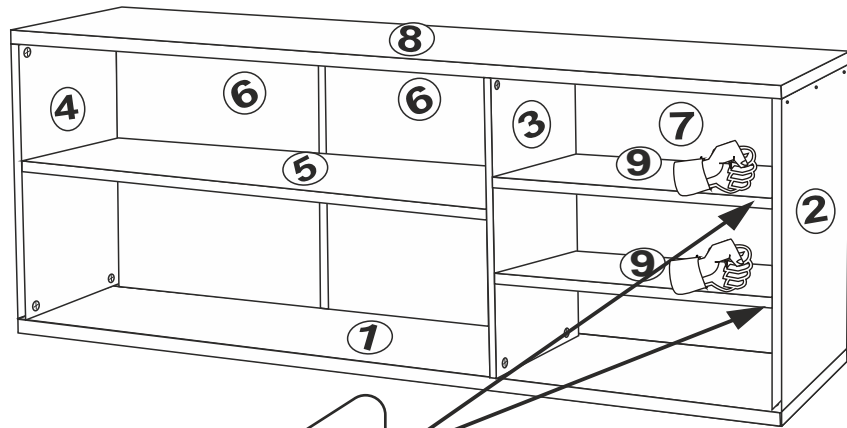
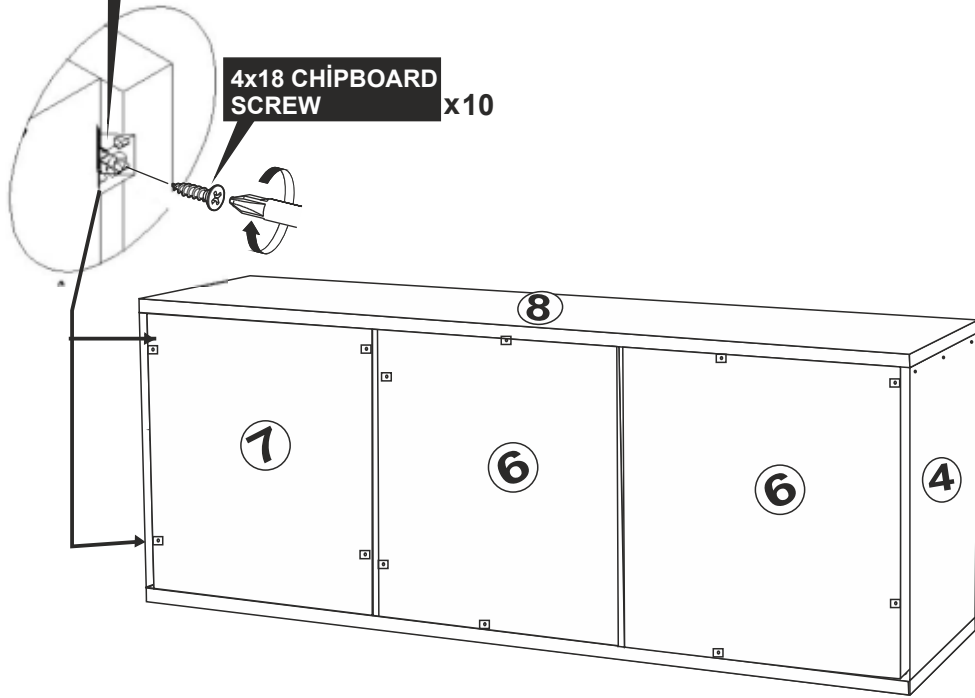


8



CORNER WEDGE x 10

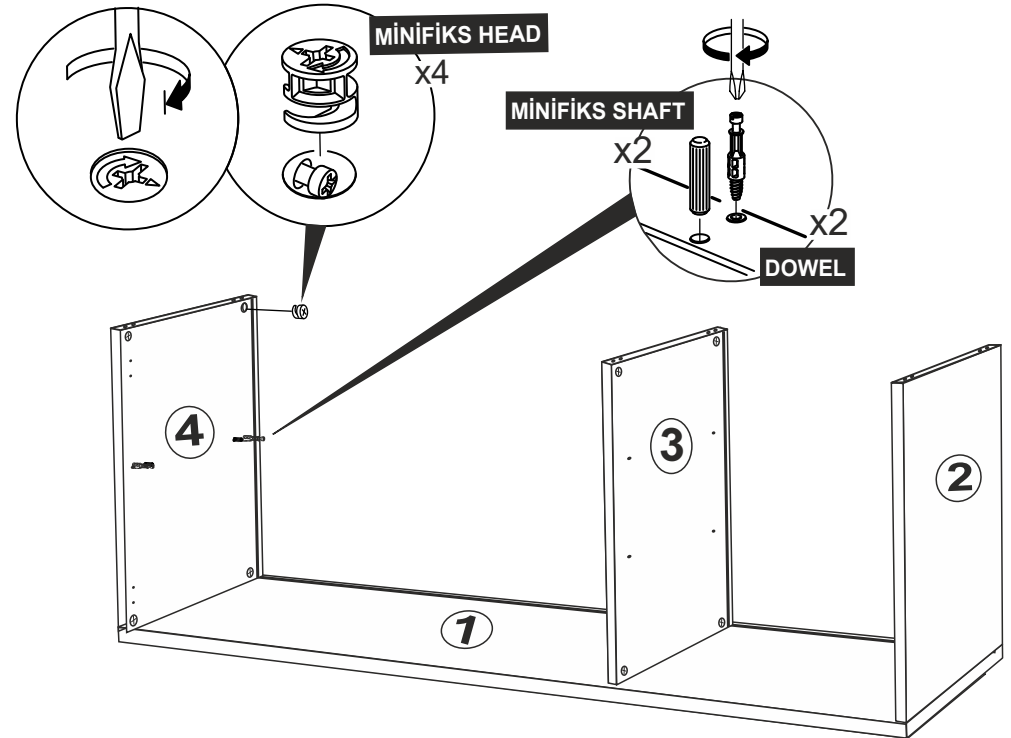
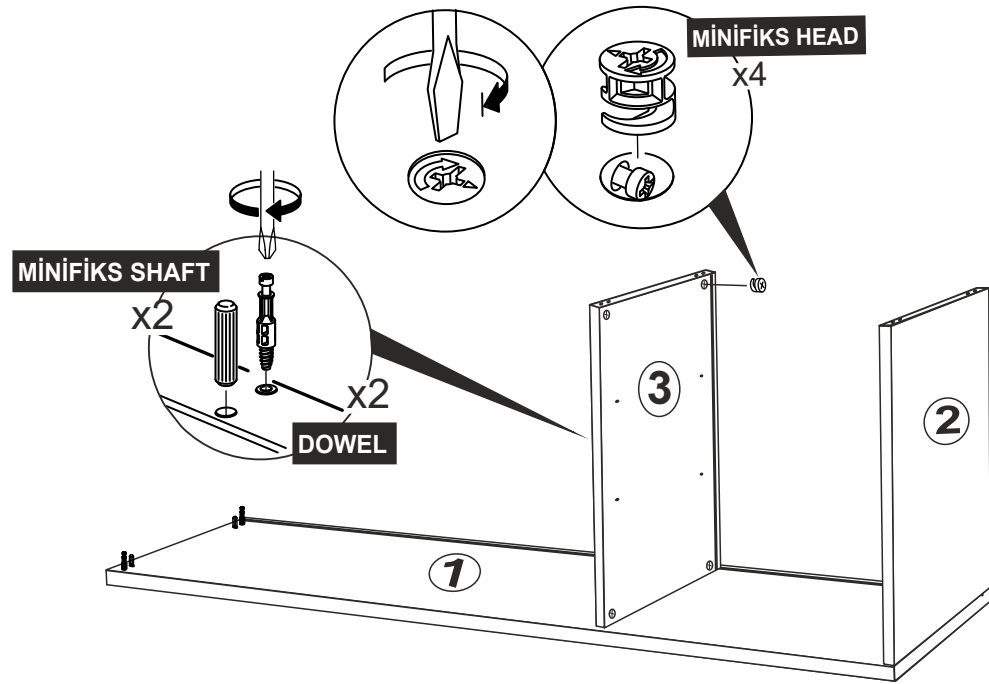
4x18 CHIPBOARD SCREW x10



PLASTIC PIN x8

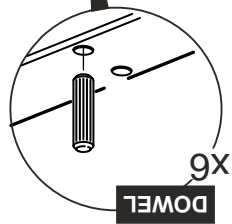
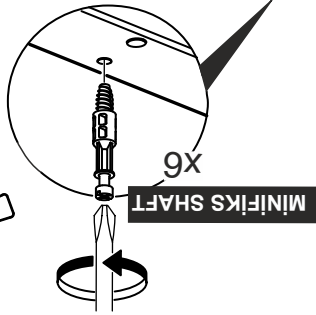
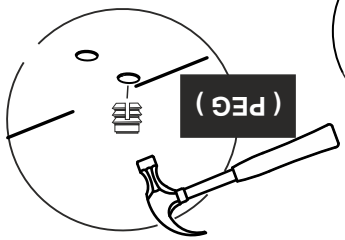
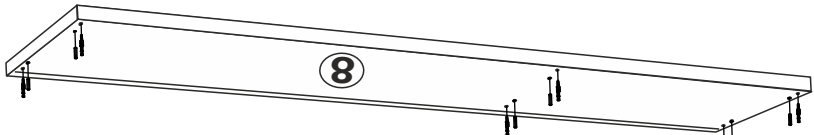
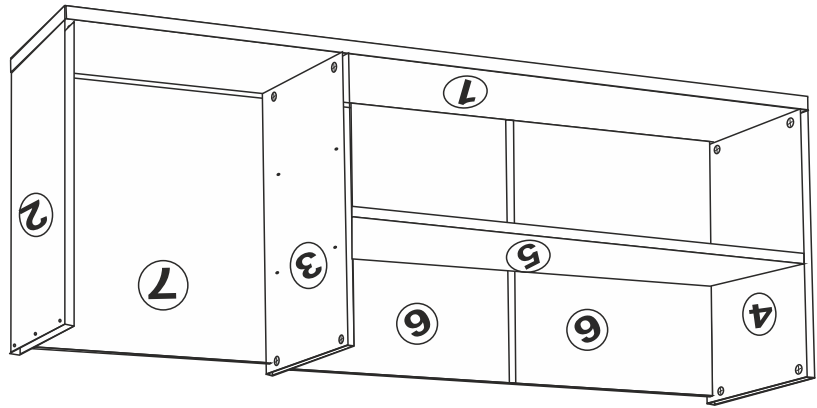
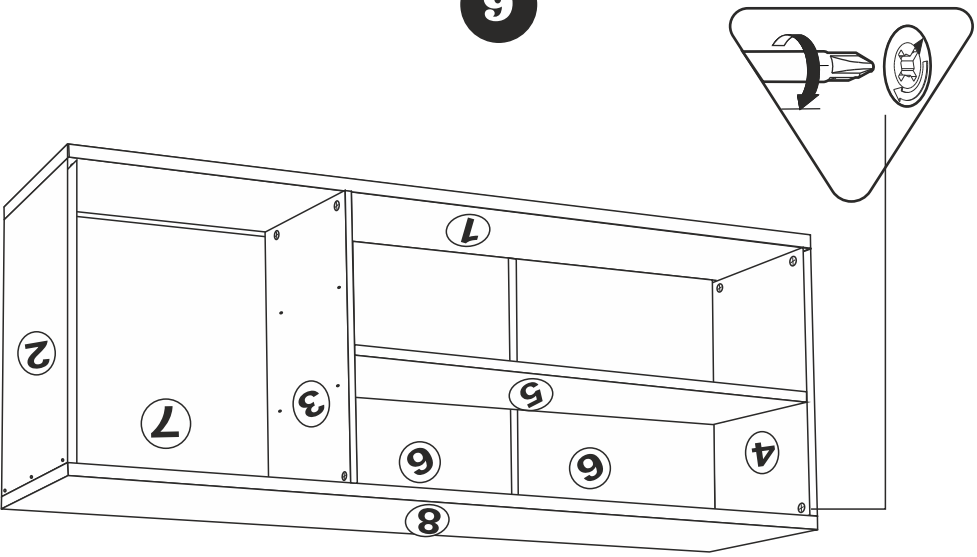
PLACE CROSS THE PORTABLE SHELF

7



4

9



5

