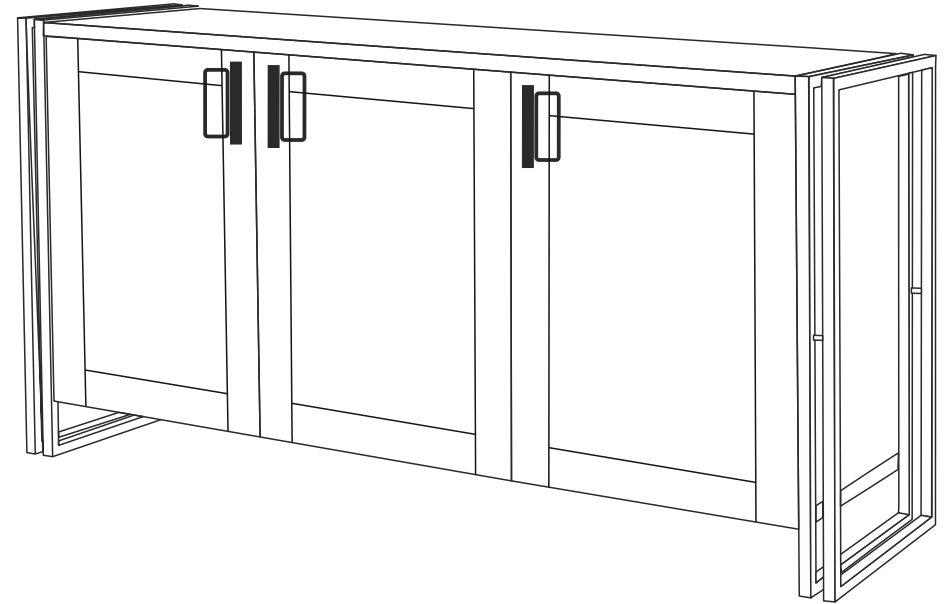
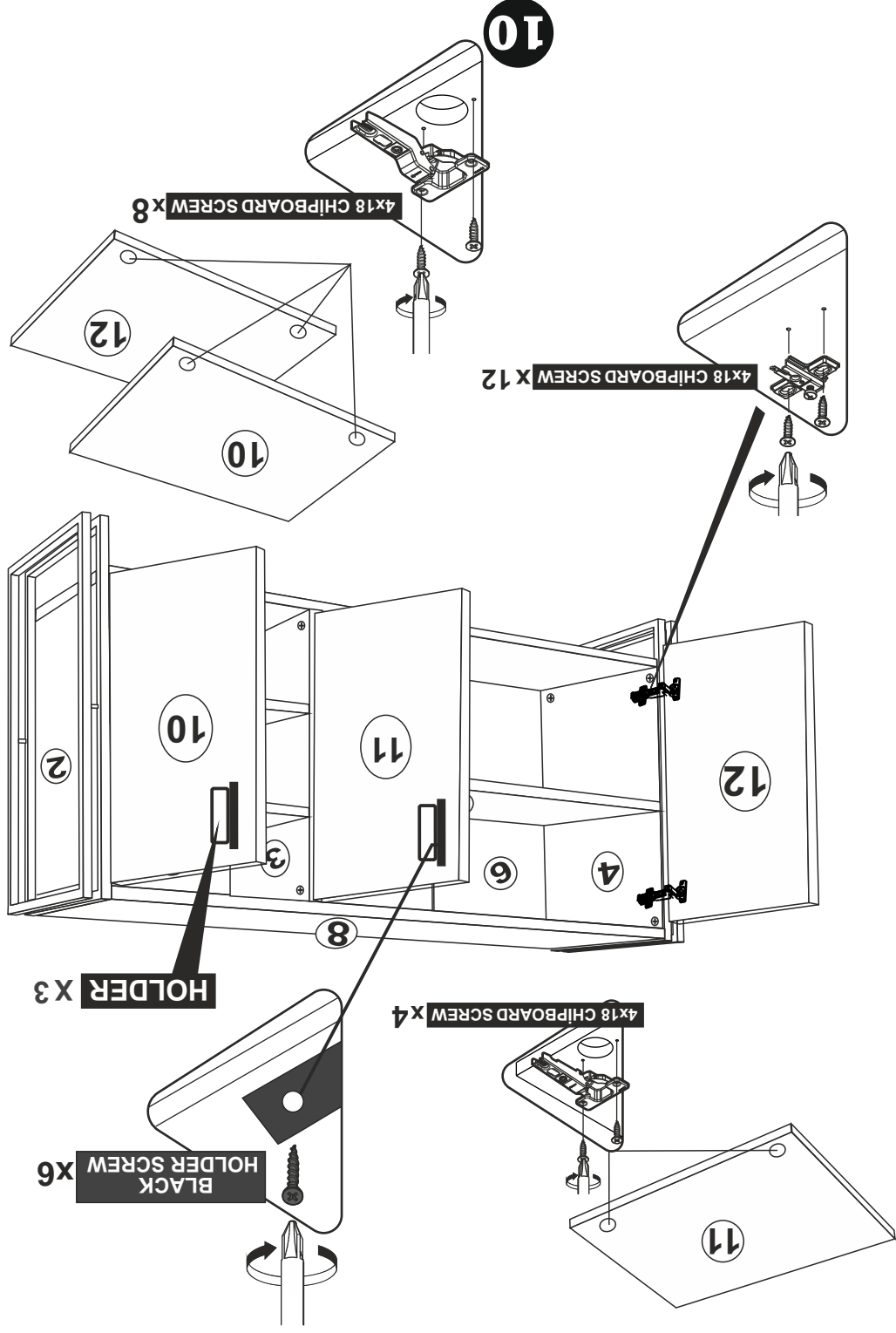


COSMO FREDA KONSOL

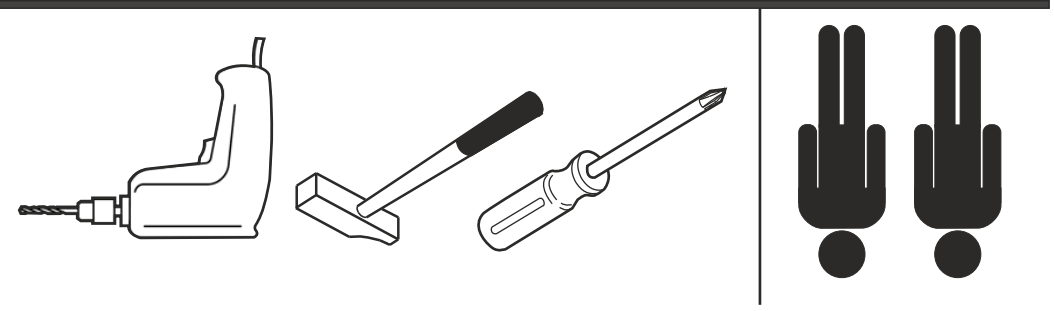
KURULUM ŐEMASI

ASSEMBLY GUIDE



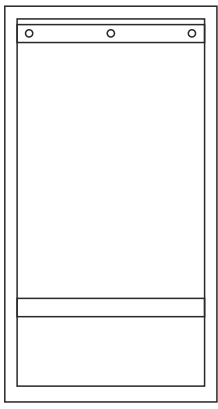


		FOOT X 1	H PROFILE X 1
FOOT SEAL X 8	CORNER WEDGE X 12	PULLING SCREW X 12	4x18 CHIPBOARD SCREW X 36
HOLDER SCREW X 6	HOLDER X 3	HINGE X 4	HALF CAMEL HINGE X 2
PLASTIC PIN X 8	DOWEL: x 16	MINIFIKS HEAT X 16	MINIFIKS SHAFT X 16



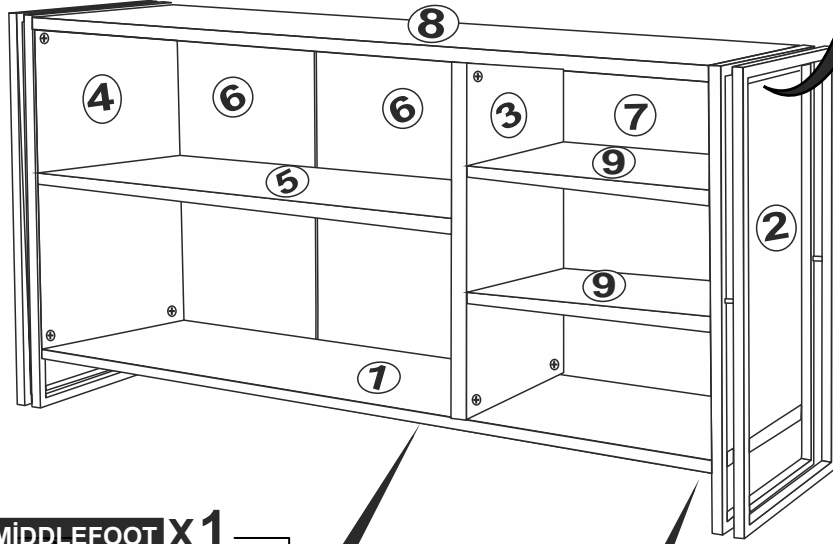
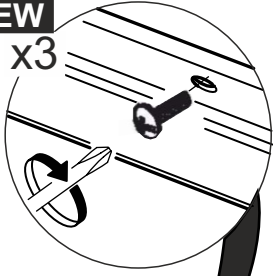
1

* FIX THE ACCESSORIES AS SHOWN FOLLOW THE INSTALLATION SEQUENCE WHILE INSTALLING THE PRODUCT.

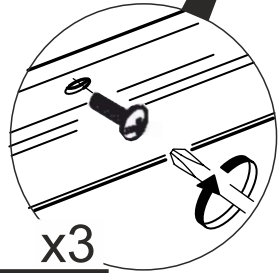
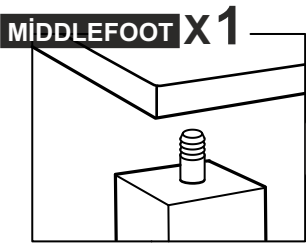


PULLING SCREW

x3



MIDDLEFOOT X1



x3

PULLING SCREW

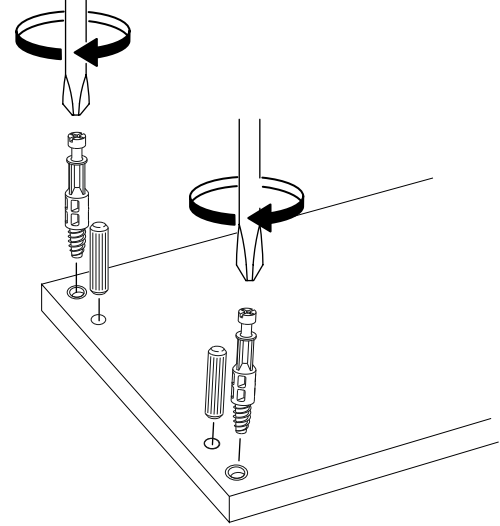
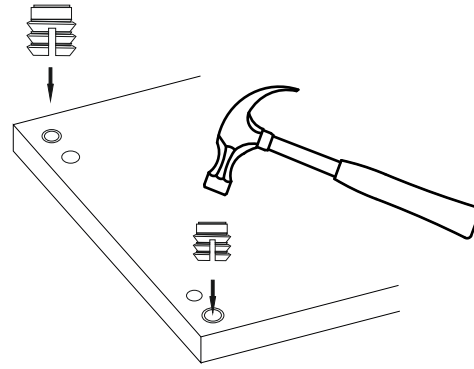
9

DİKKAT !! / ATTENTION !!

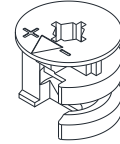
Minifiks ve Kavela ürünlerimizde kullanılan ana bağlantı malzemesidir. Montaja başlamadan önce lütfen aşağıdaki çizimleri kontrol ederek anlamaya çalışın...

Minifix and Dowel is the main connection material used in products. Before starting assembly, please check the drawings below...

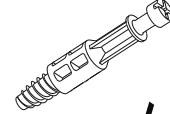
**Minifix Dübeli
(PEG)**



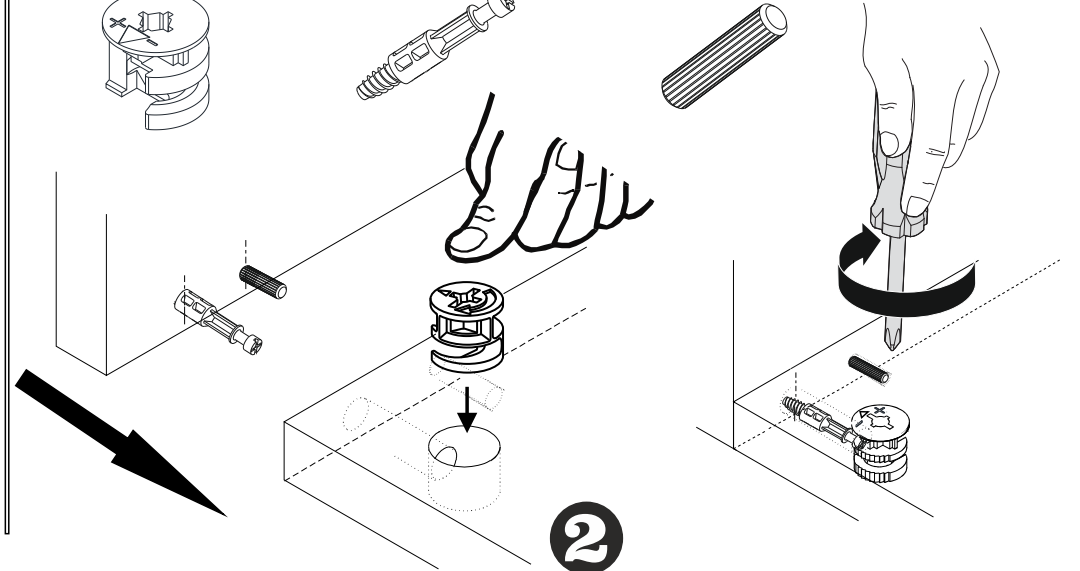
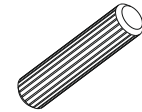
**Minifix Gövde
(MINIFIX BODY)**



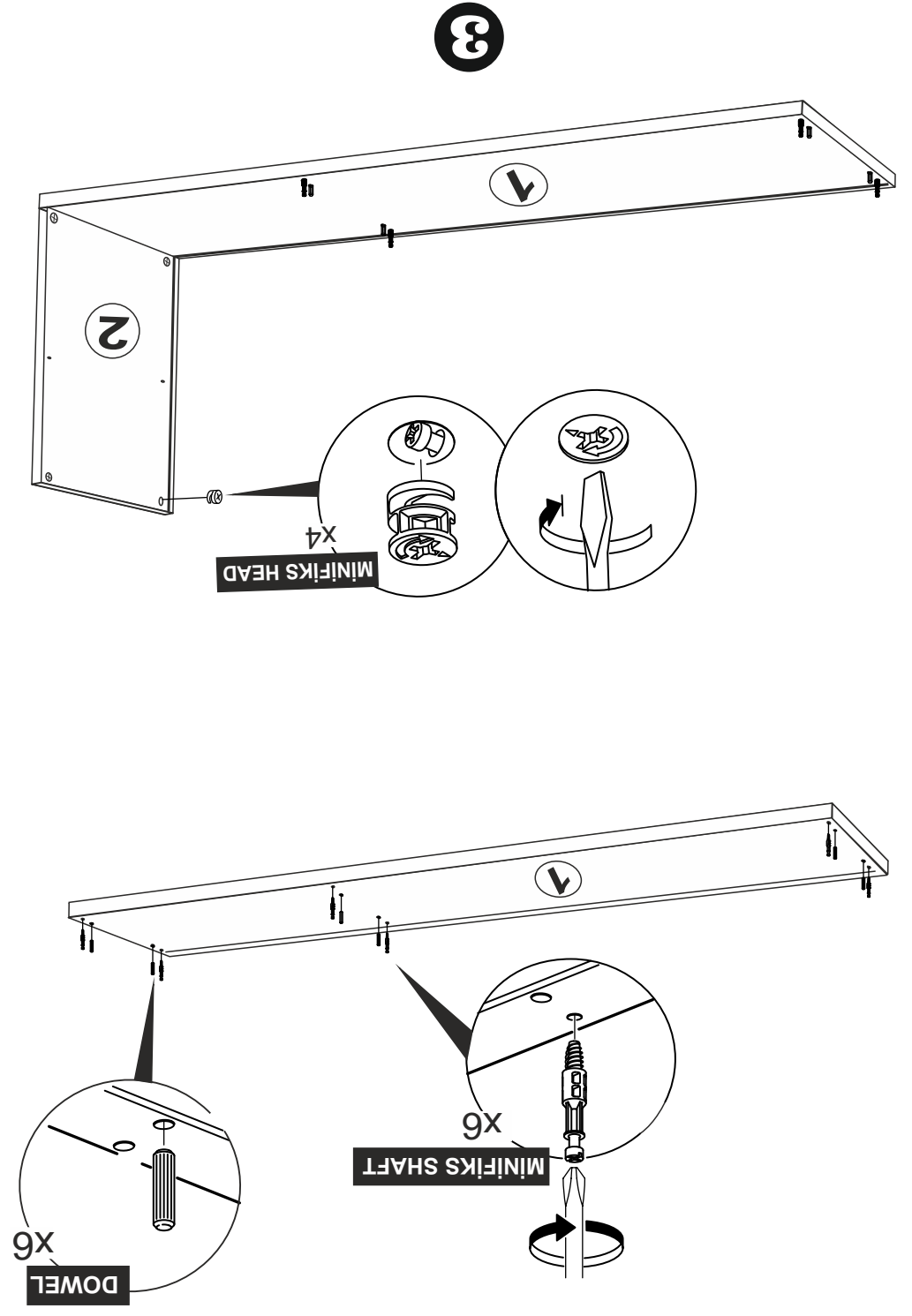
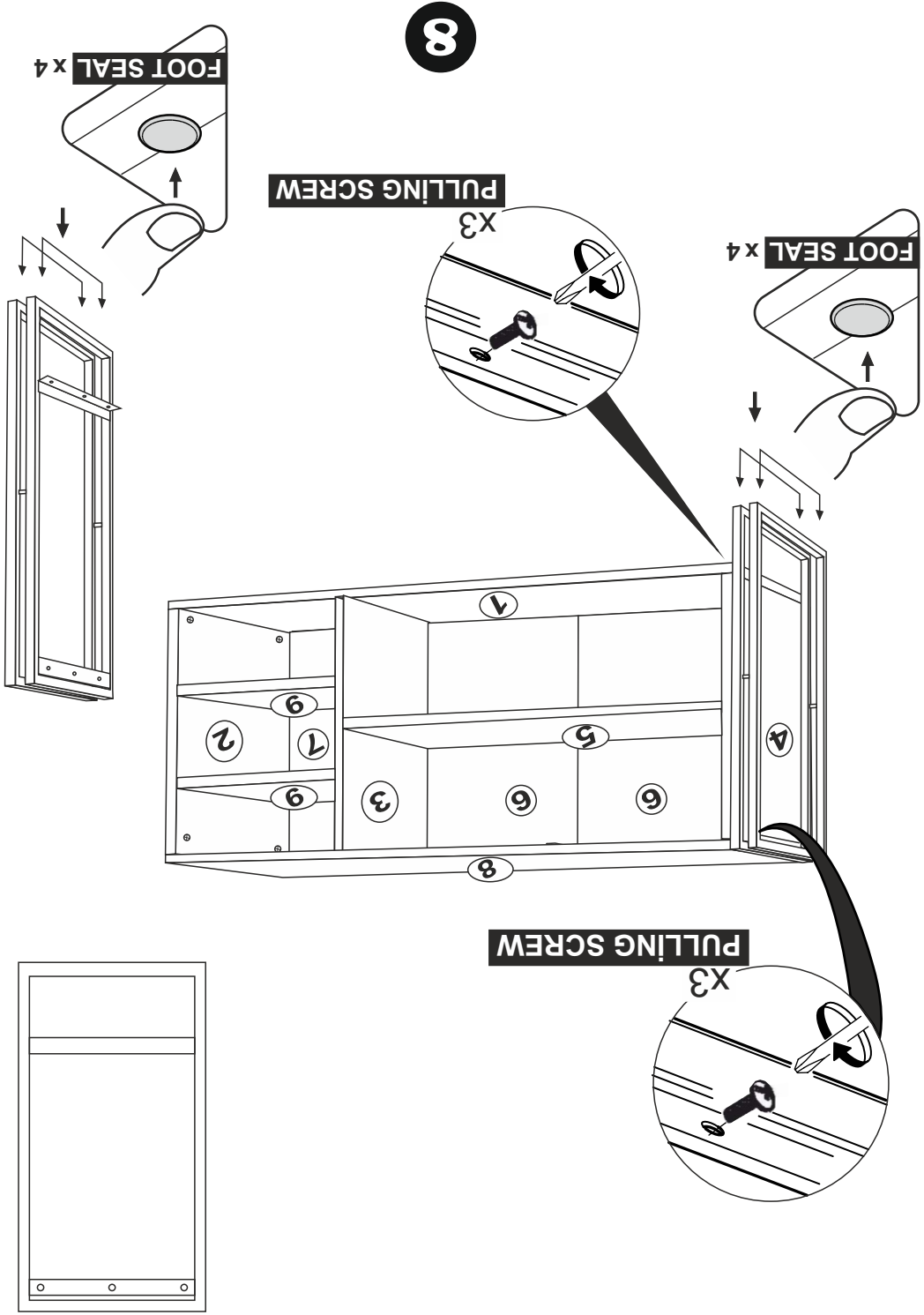
**Minifix Mil
(MINIFIX SHAFT)**



**Kavela
(DOWEL)**

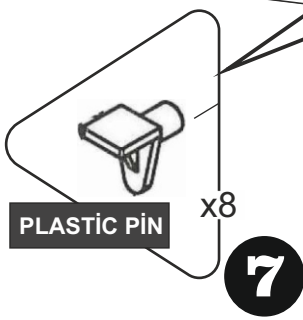
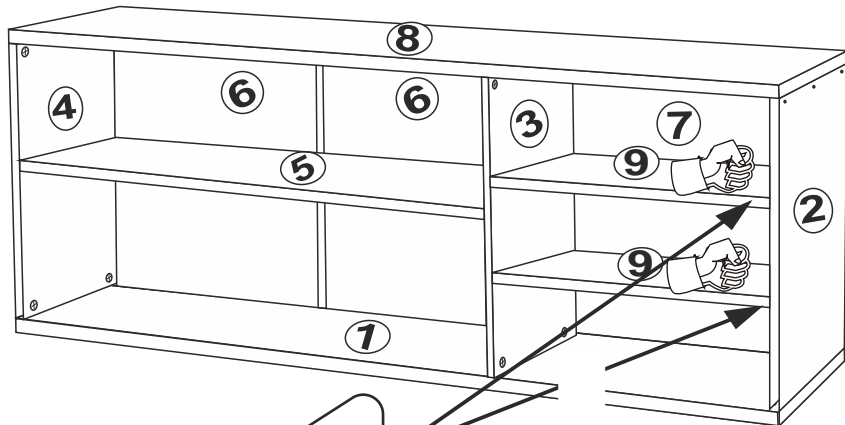
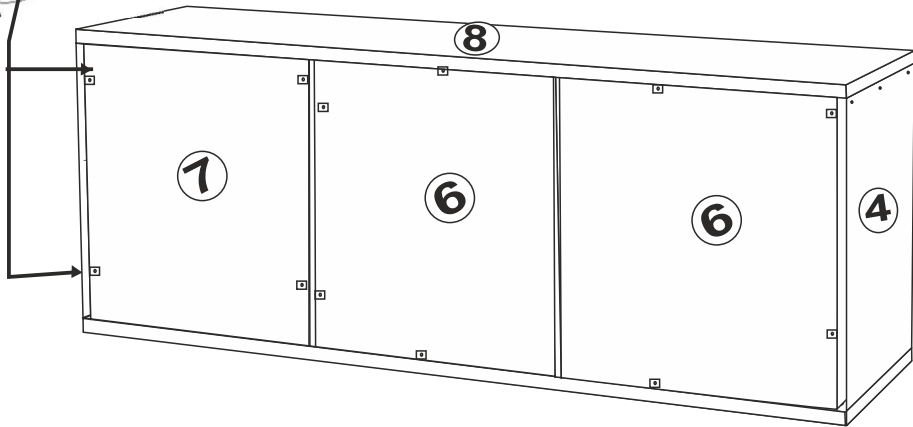
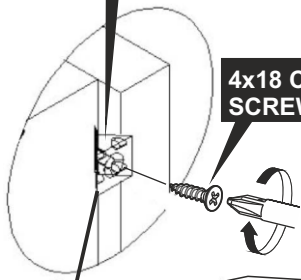


2



CORNER WEDGE x 10

4x18 CHIPBOARD SCREW x10



PLACE CROSS THE PORTABLE SHELVES

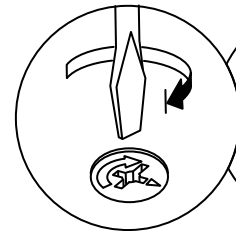
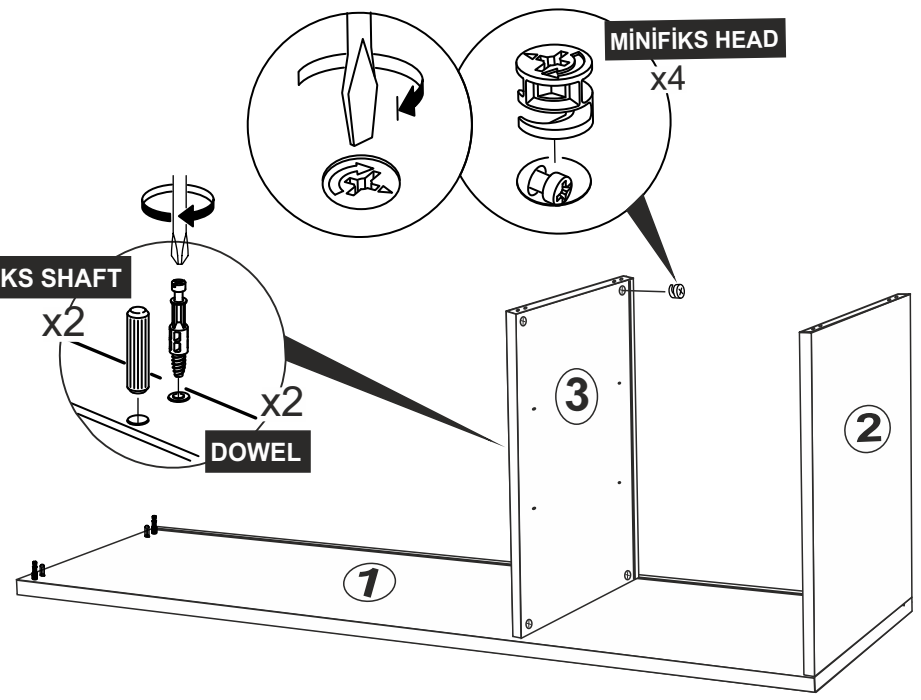
PLASTIC PIN x8

7

MINIFIKS SHAFT x2

DOWEL x2

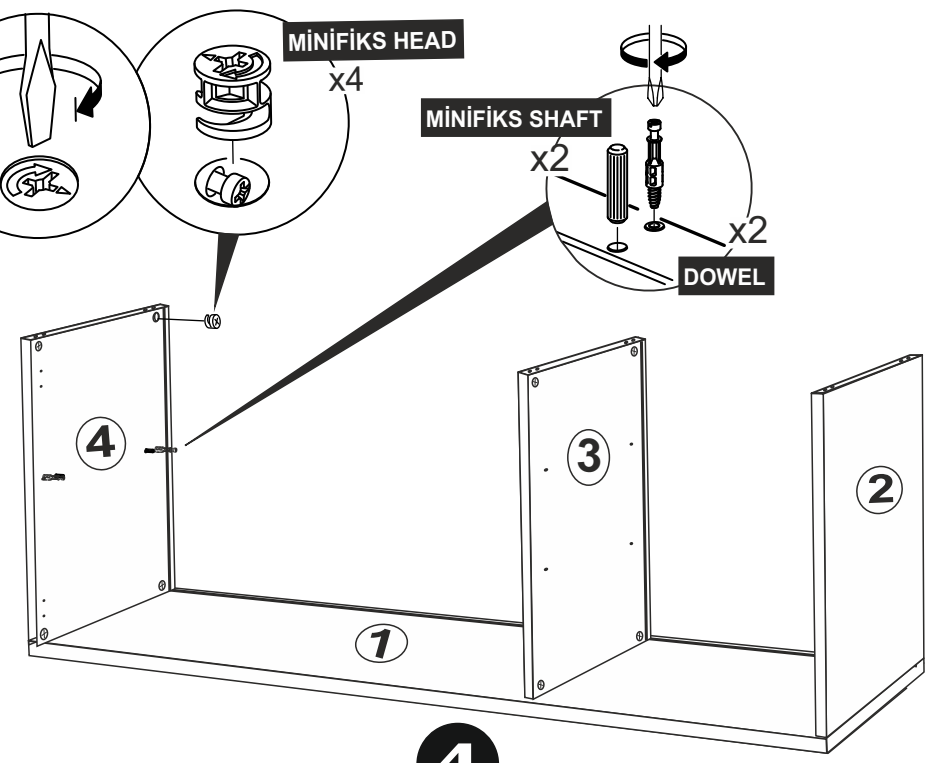
MINIFIKS HEAD x4



MINIFIKS HEAD x4

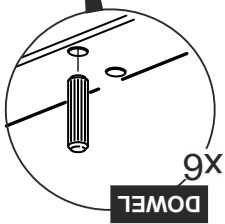
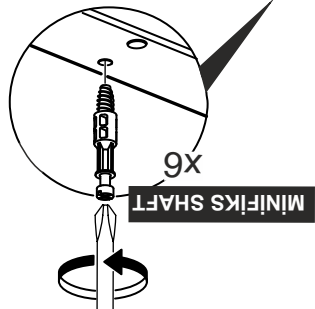
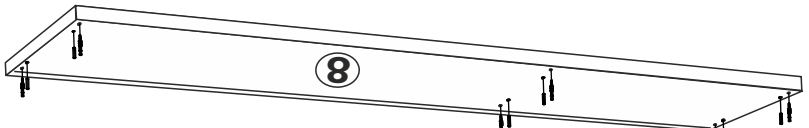
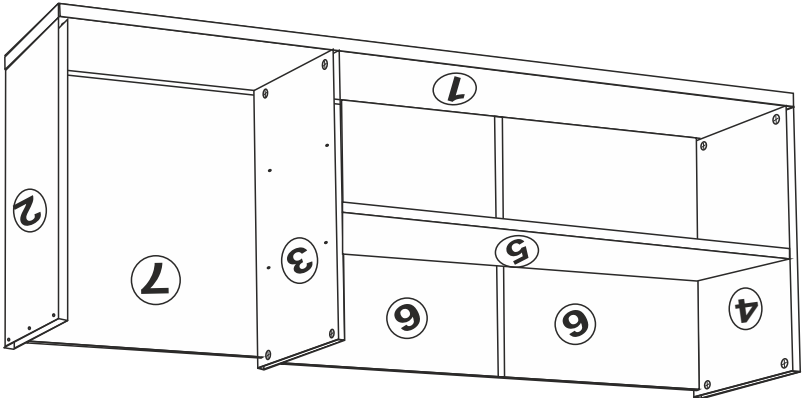
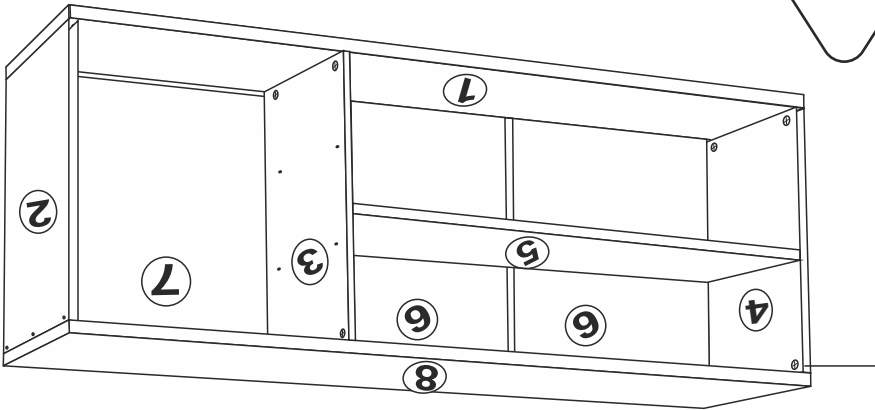
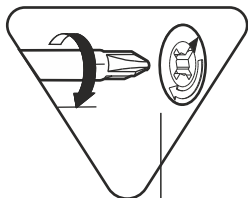
MINIFIKS SHAFT x2

DOWEL x2



4

9



5

