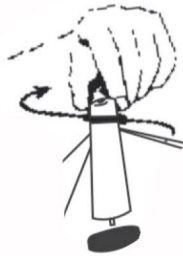
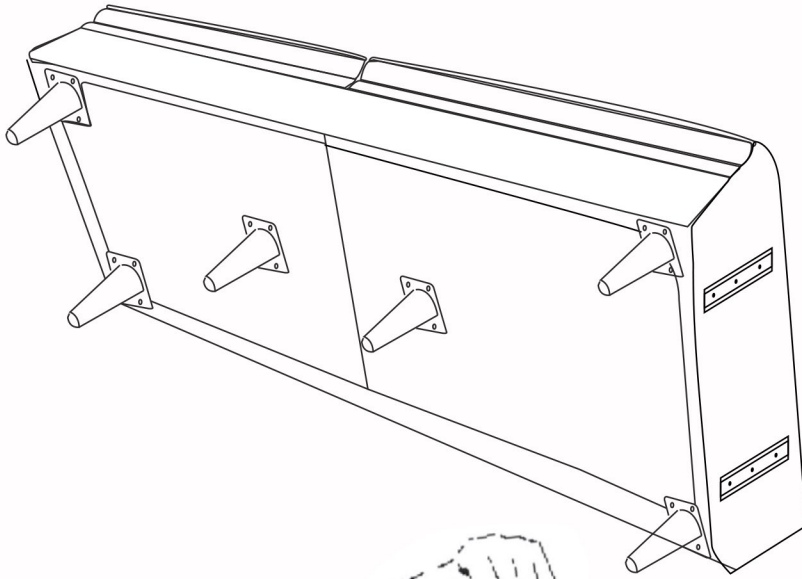
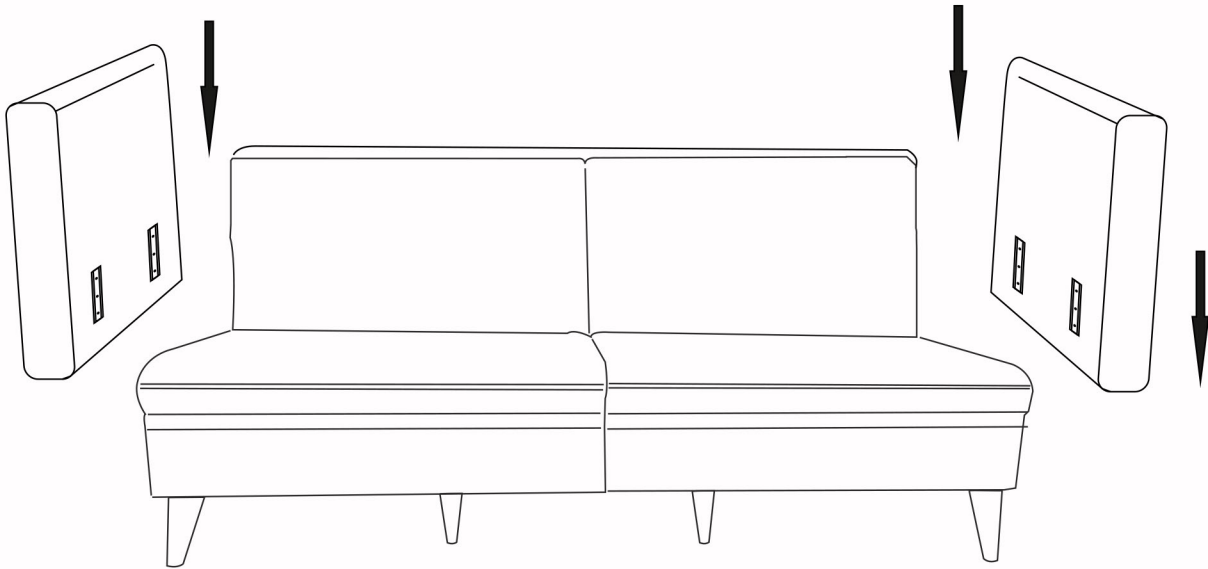


ARIA 3-SEAT SOFA



ATTACH WOODEN LEGS TO THE SOFA
BY SPINNING WITH YOUR HANDS



PLACE THE RIGHT AND LEFT ARMRESTS BY PUSHING DOWN
THE METAL CONNECTION PARTS ON EACH SIDE

