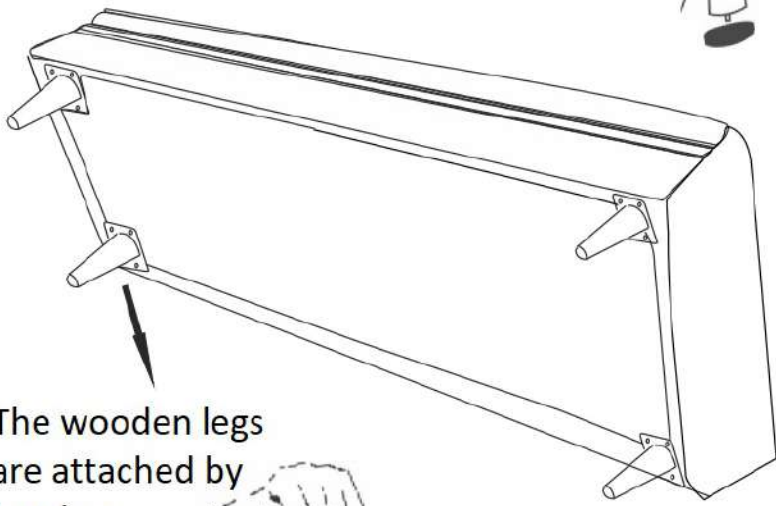
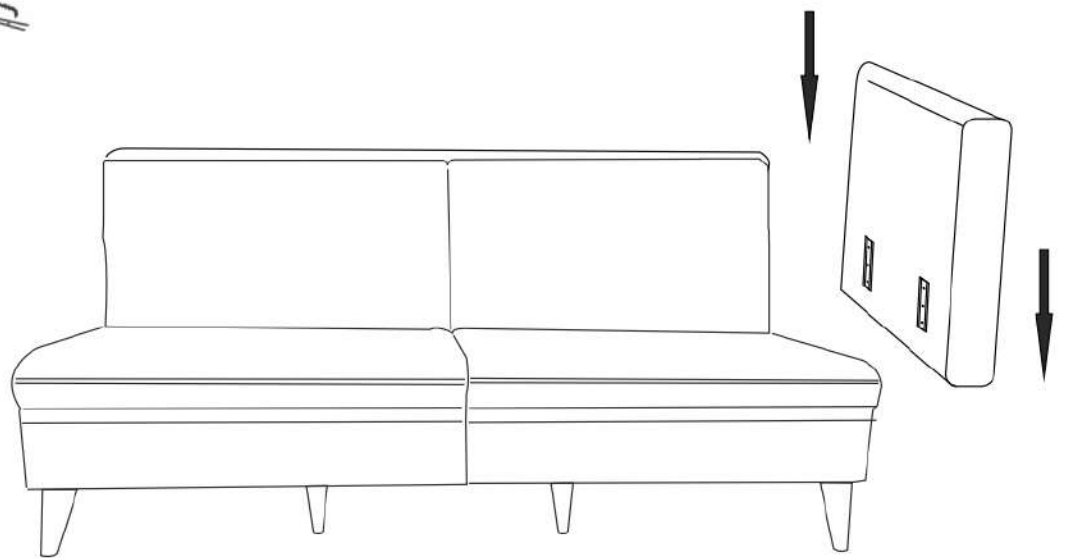
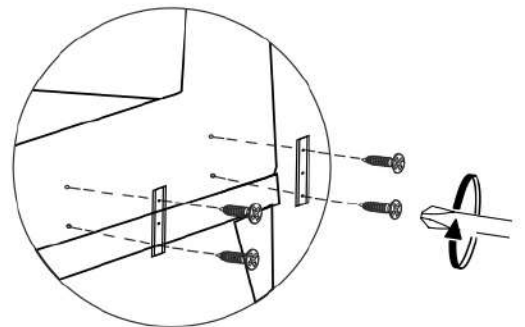
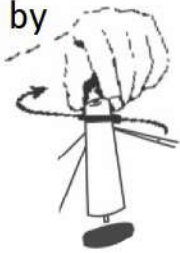


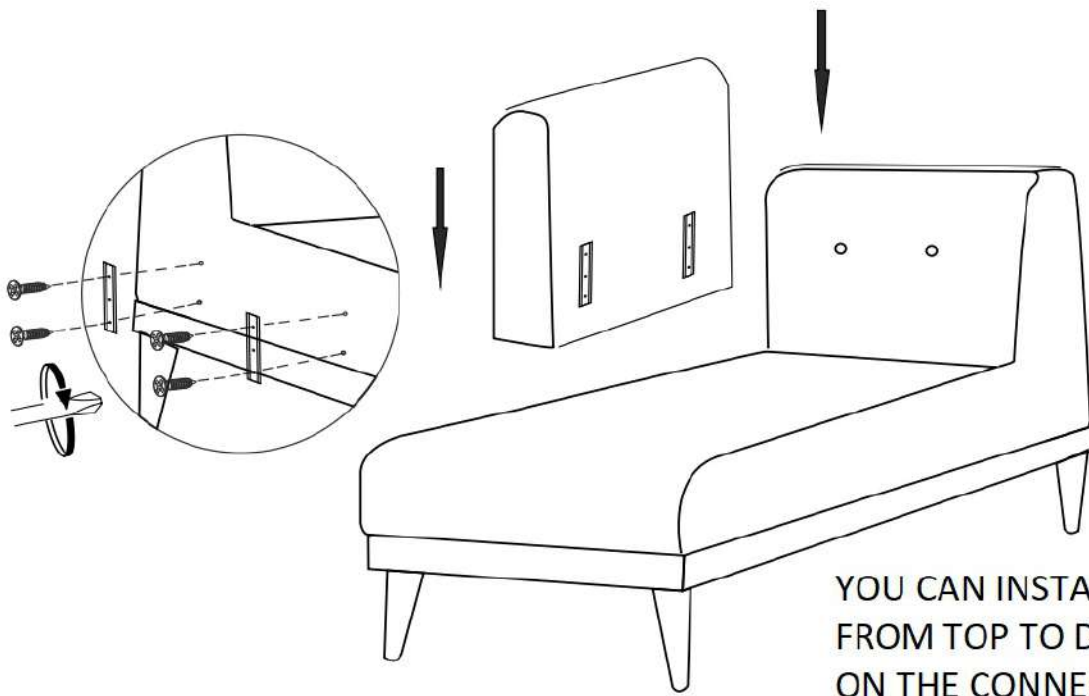
The wooden legs are attached by turning.



The wooden legs are attached by turning.



You can attach the RIGHT ARM from top to bottom by sitting on the connection rails.



YOU CAN INSTALL THE LEFT ARM FROM TOP TO DOWN BY SITTING IT ON THE CONNECTION SLIDS.

