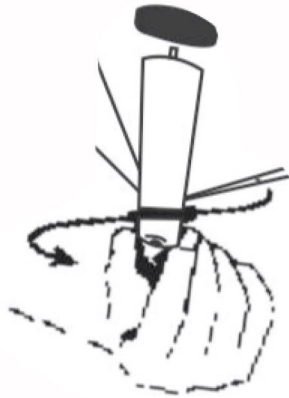
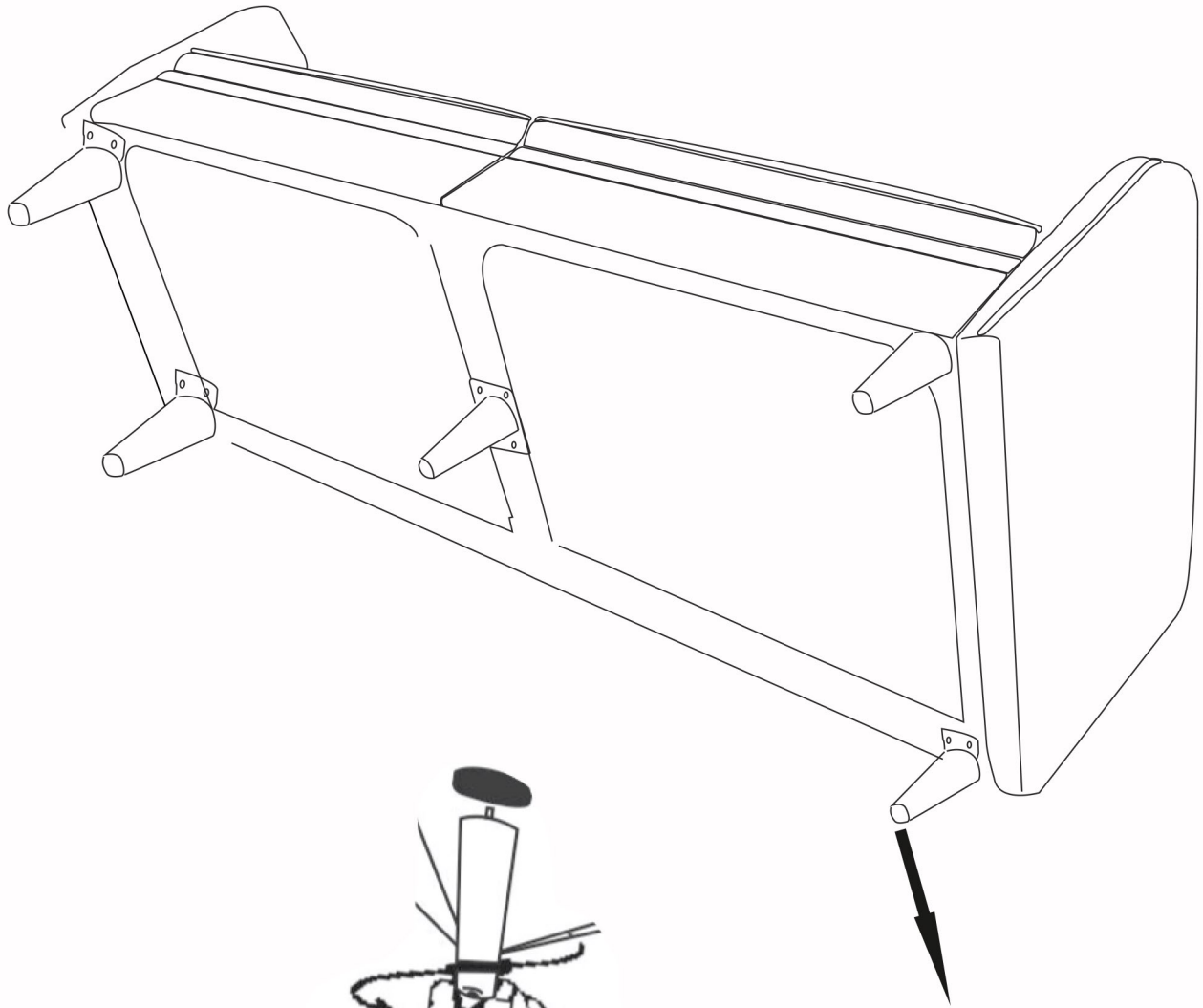
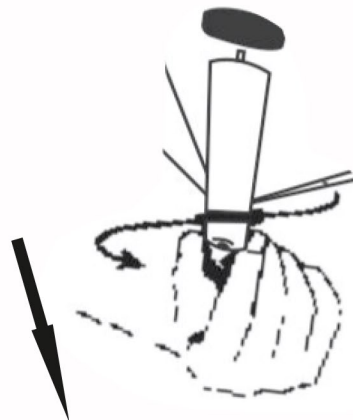
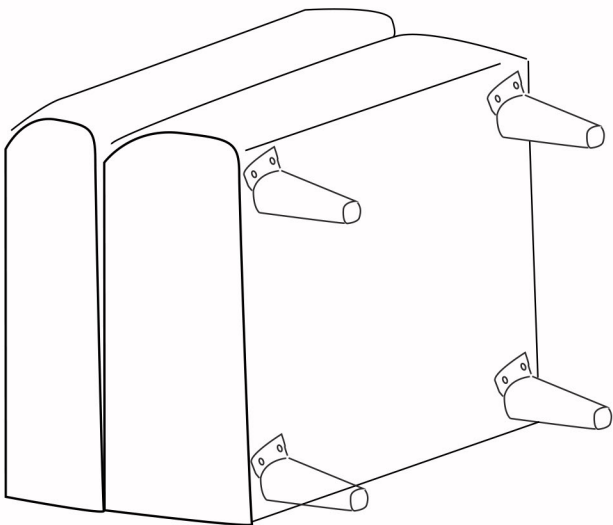


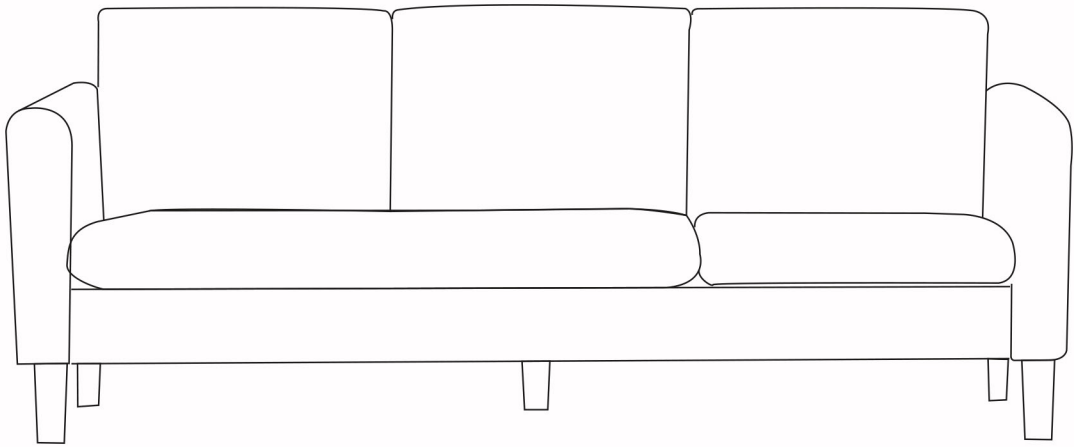
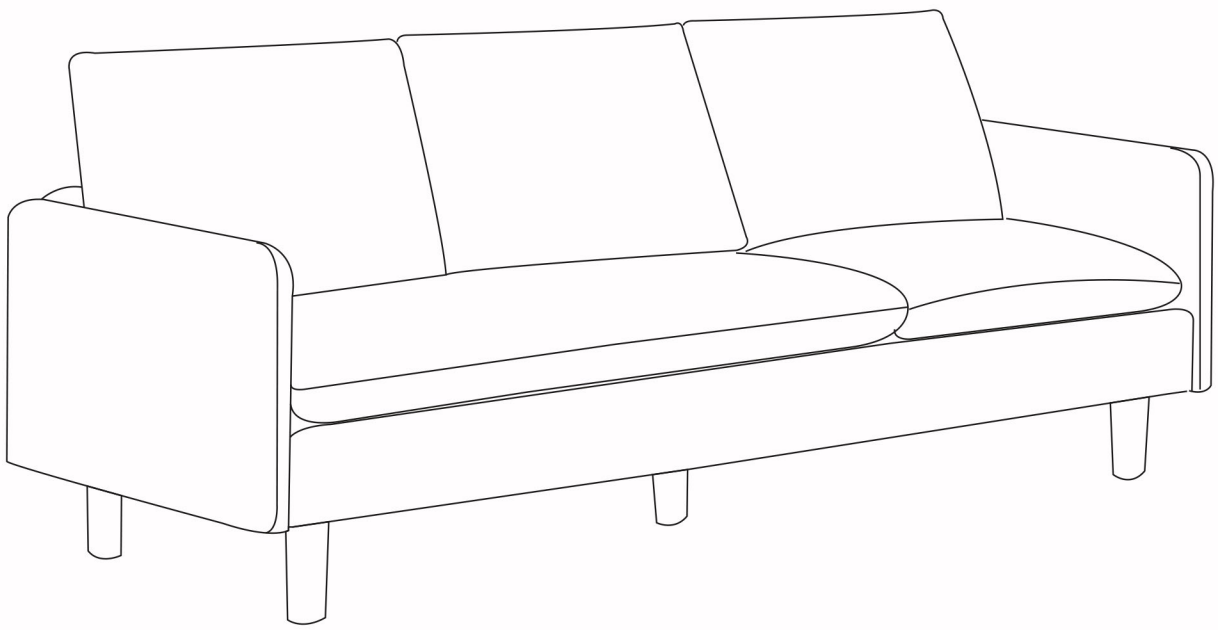
# SOFIA CORNER SOFA



ATTACH WOODEN LEGS TO THE SOFA  
BY SPINNING WITH YOUR HANDS



ATTACH WOODEN LEGS TO THE SOFA  
BY SPINNING WITH YOUR HANDS



BY REPLACING LONG CUSHION AND  
COMBINING IT WITH THE TUFFET WE GET  
CORNER SOFA

