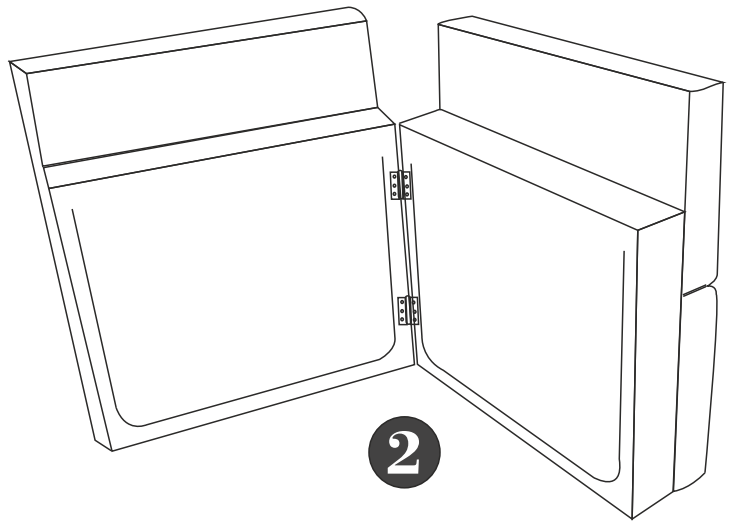
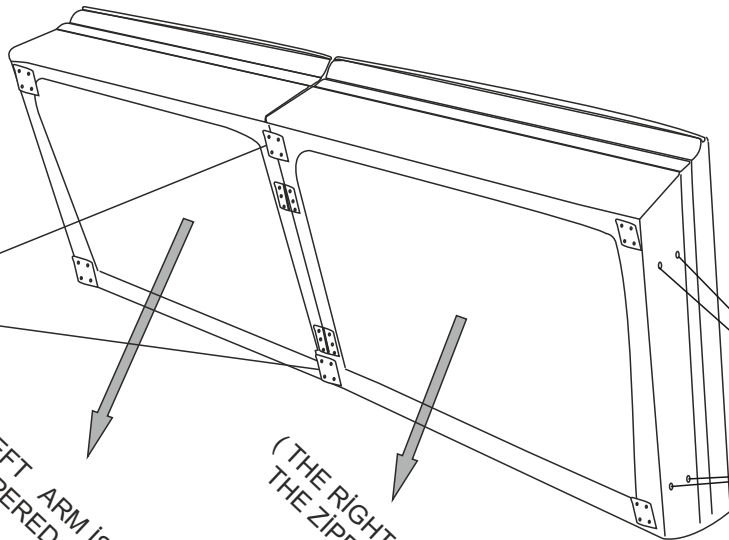


1



2



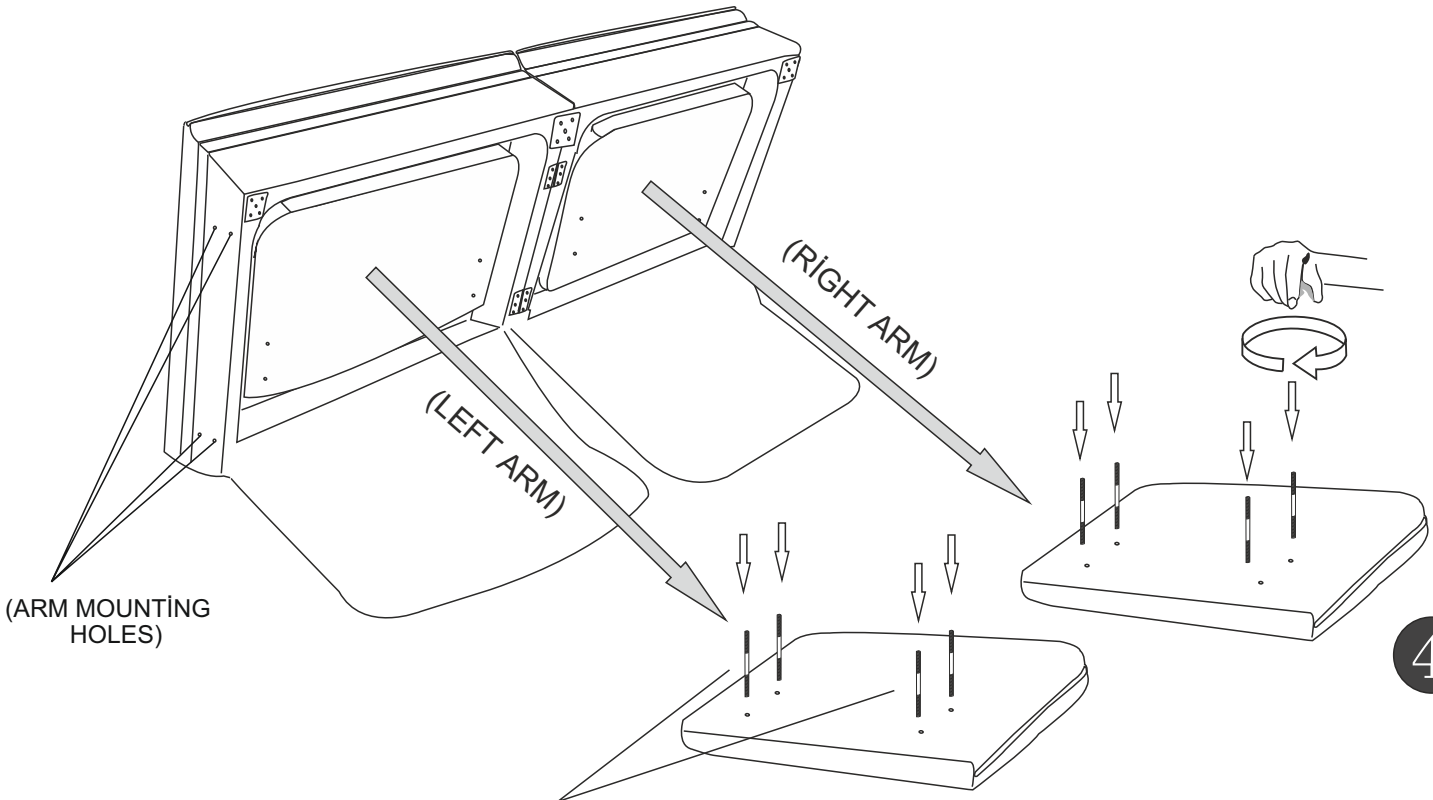
3

(ATTACH THE MIDFOOT METAL PARTS)

(THE LEFT ARM IS INSIDE THE ZIPPERED SECTION)

(THE RIGHT ARM IS INSIDE THE ZIPPERED SECTION)

(ARM MOUNTING HOLES)



(ARM MOUNTING HOLES)

(LEFT ARM)

(RIGHT ARM)

4

(TURN THE ARM CONNECTION SCREWS TO THE RIGHT AND LEFT ARM)

