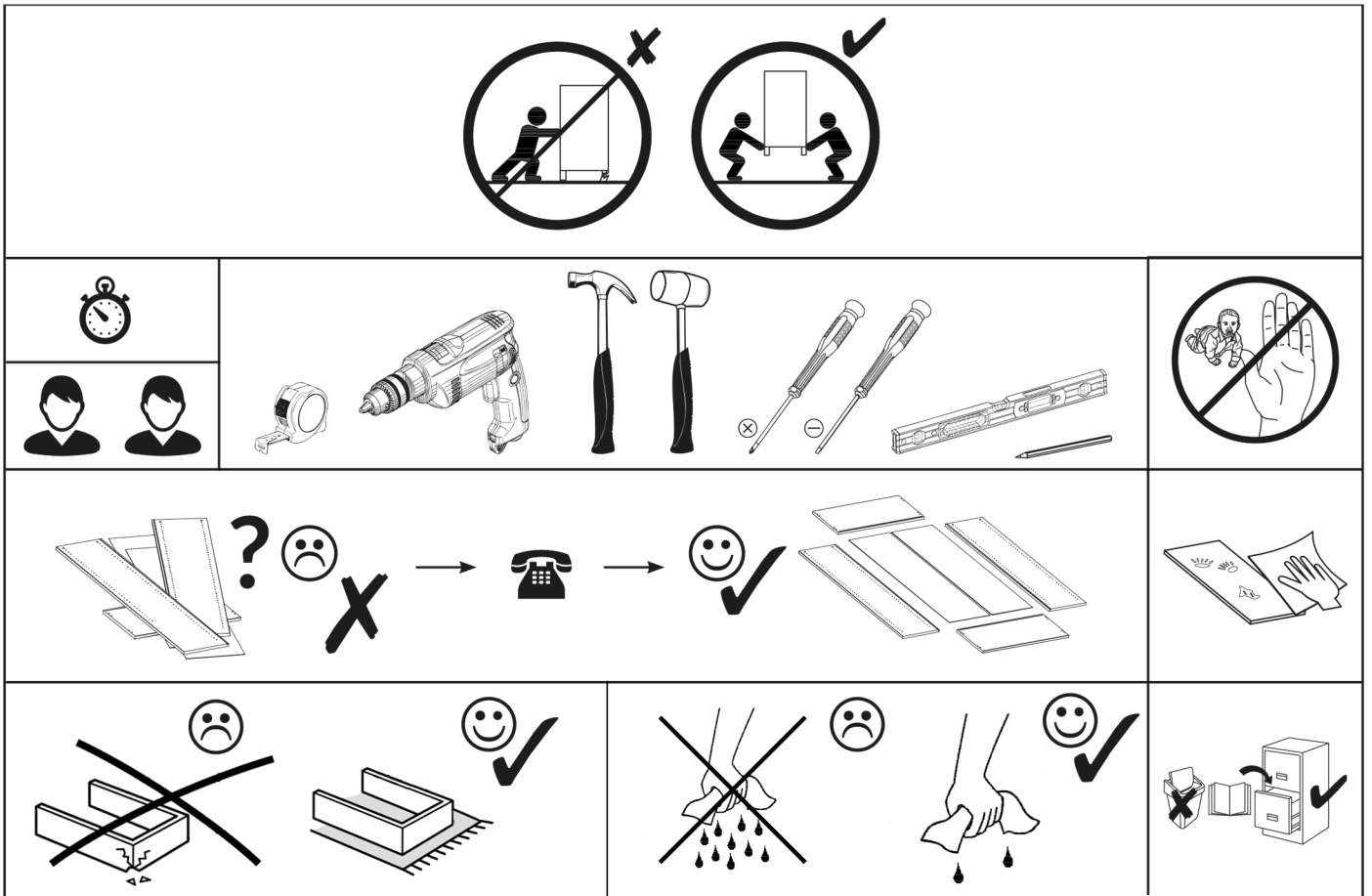
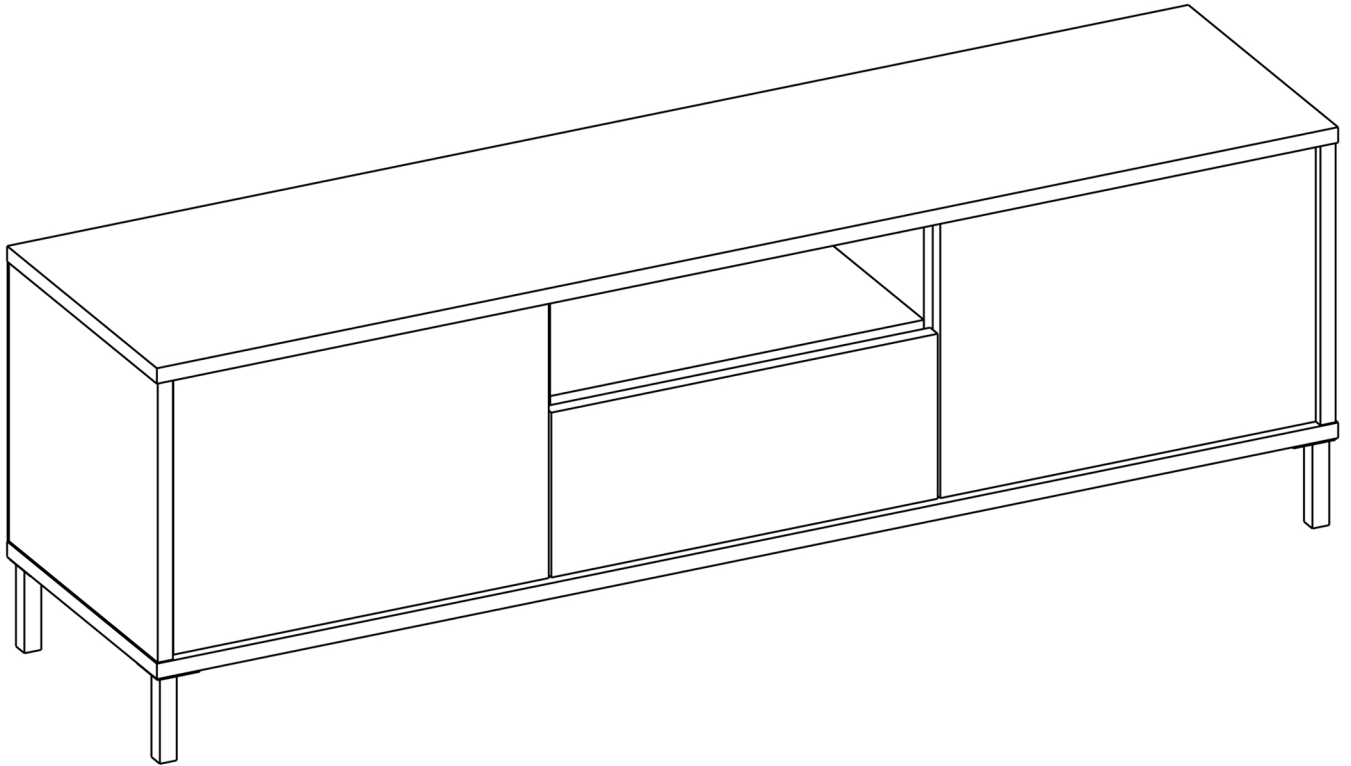


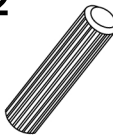
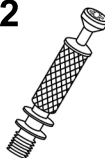



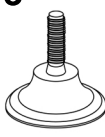
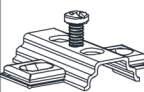
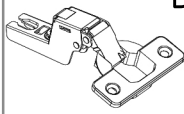



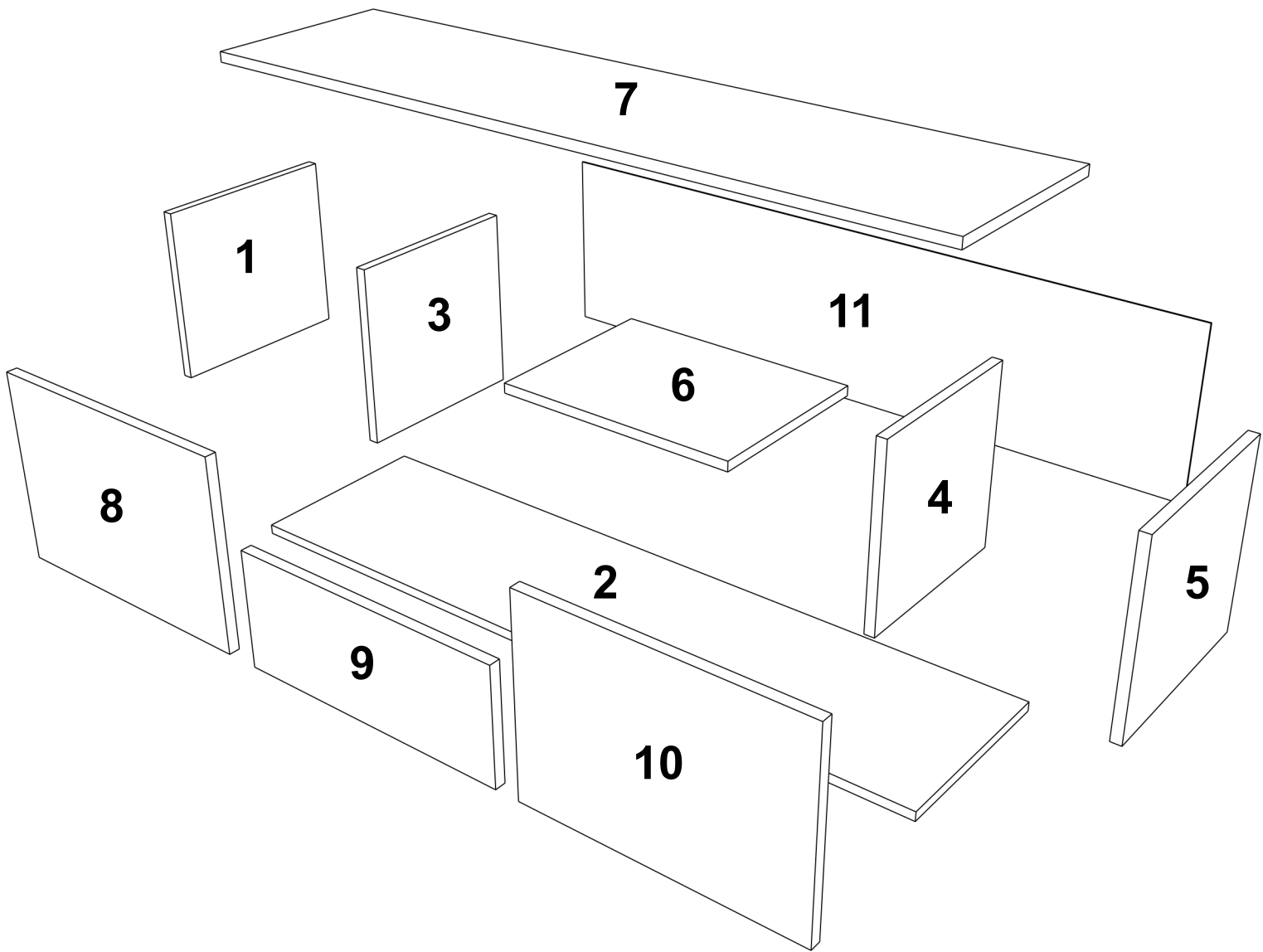
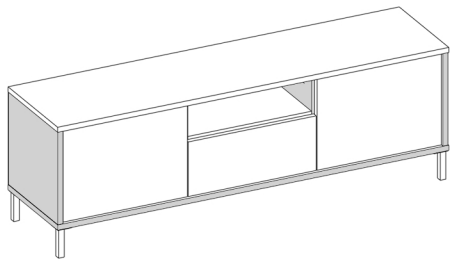


LV2



2  B0501 x16	2  B0502 x16	2  B0503 x16	2  B0504 x16	3  B0301 x55
2  B0507 x4	P  D0154 x4	3  B1702 x4	1  B0105 x6	1  B0103 x6
3  B0318 x25	1  B1403 x3	P  B1102 x2		



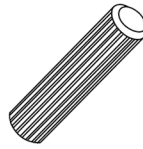


B0502



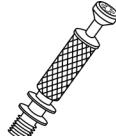
x8

B0503



x8

B0504

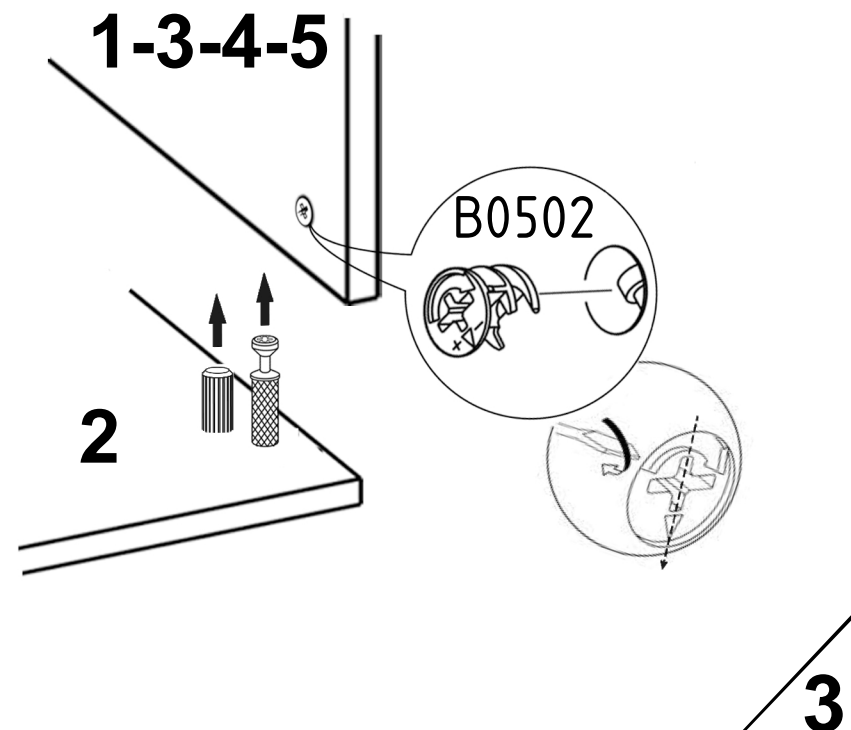
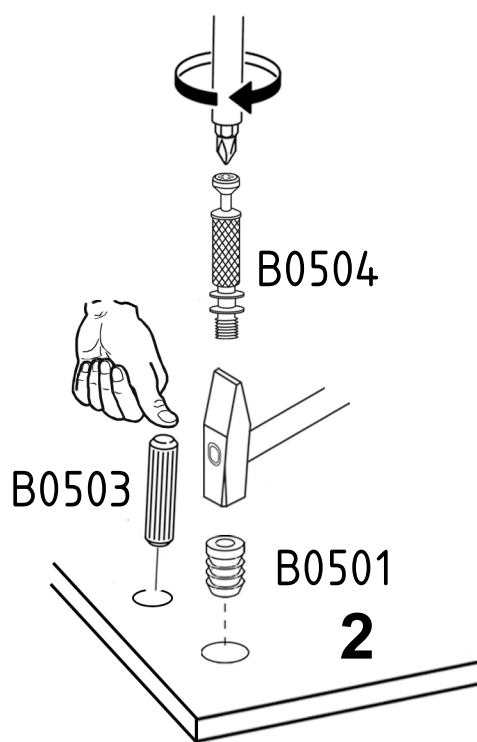
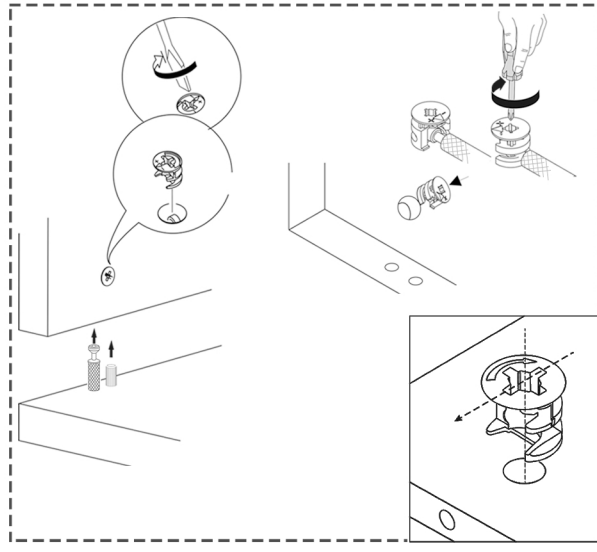
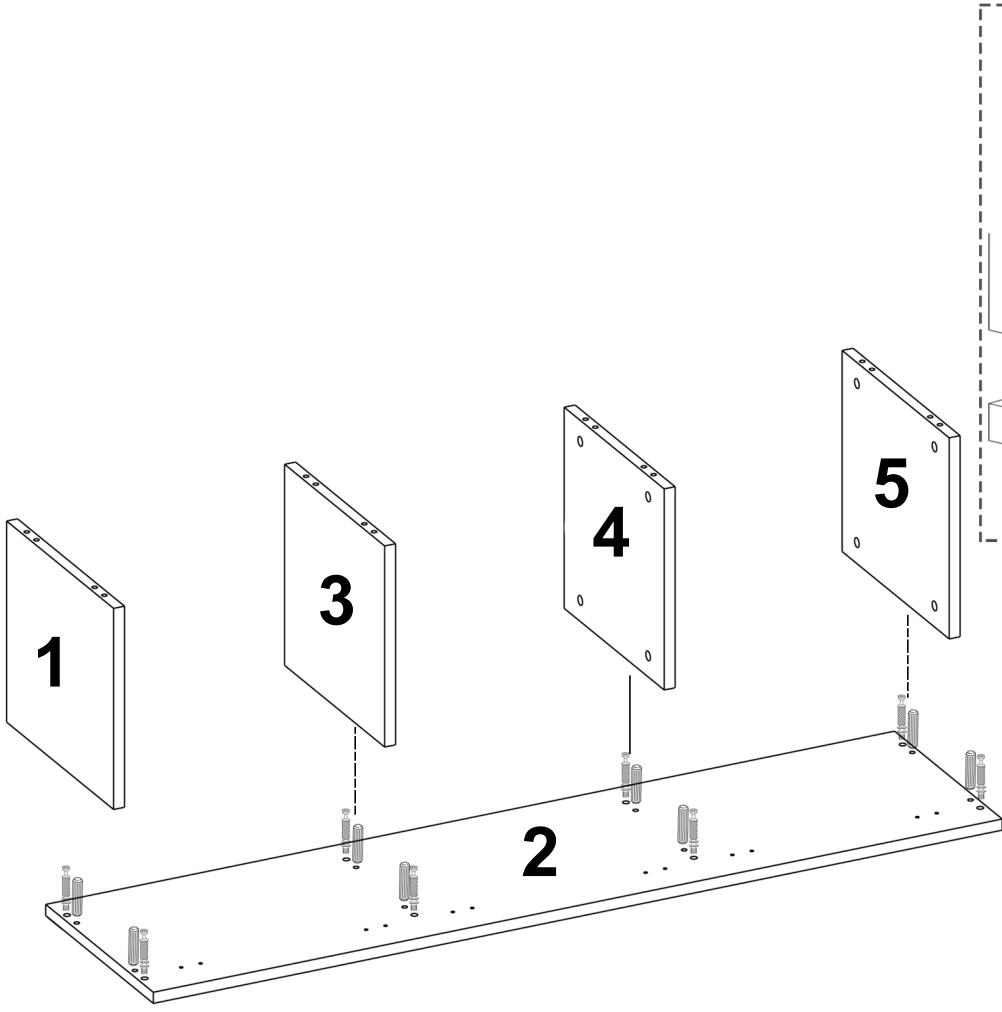
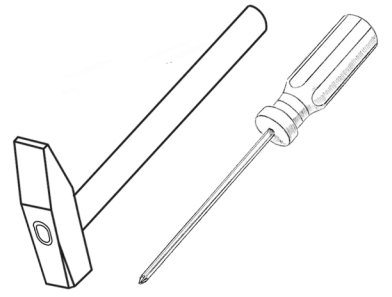


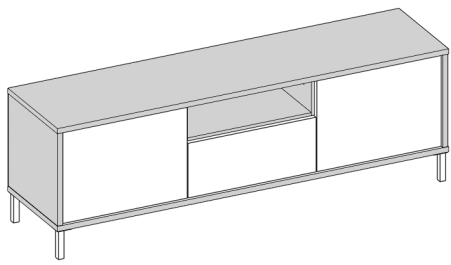
x8

B0501



x8





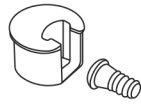
B0507

B0502

B0503

B0504

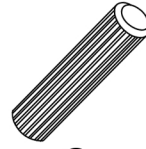
B0501



x4



x8



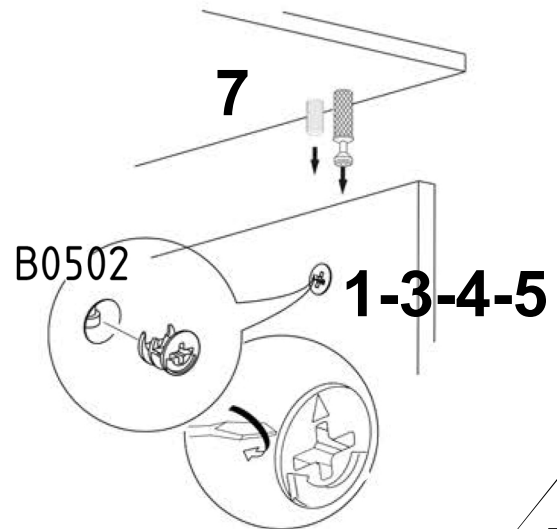
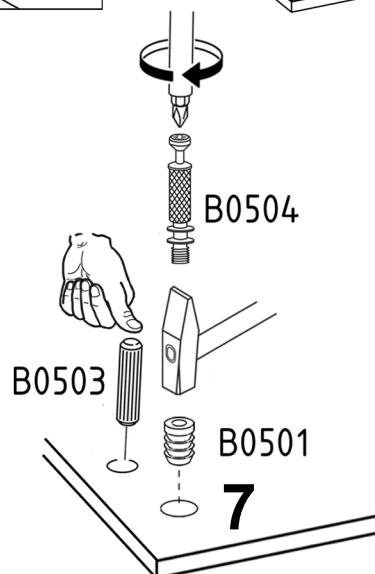
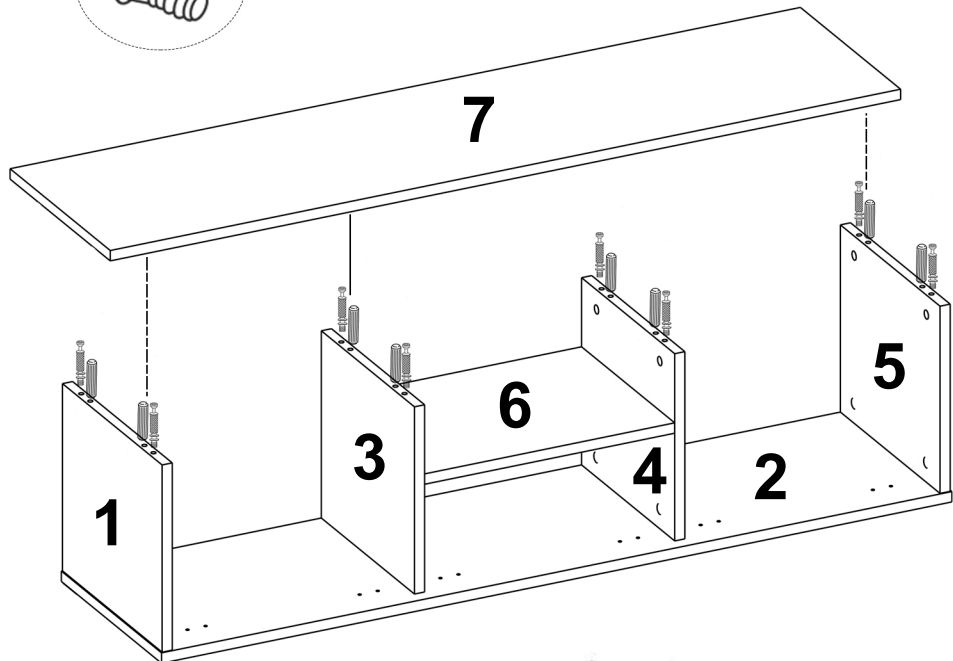
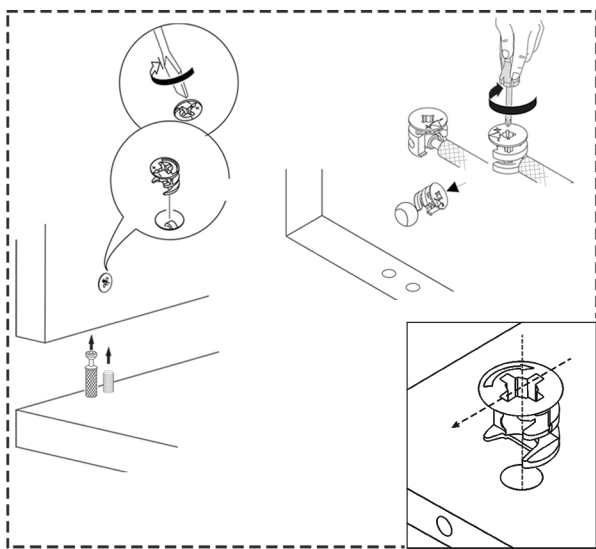
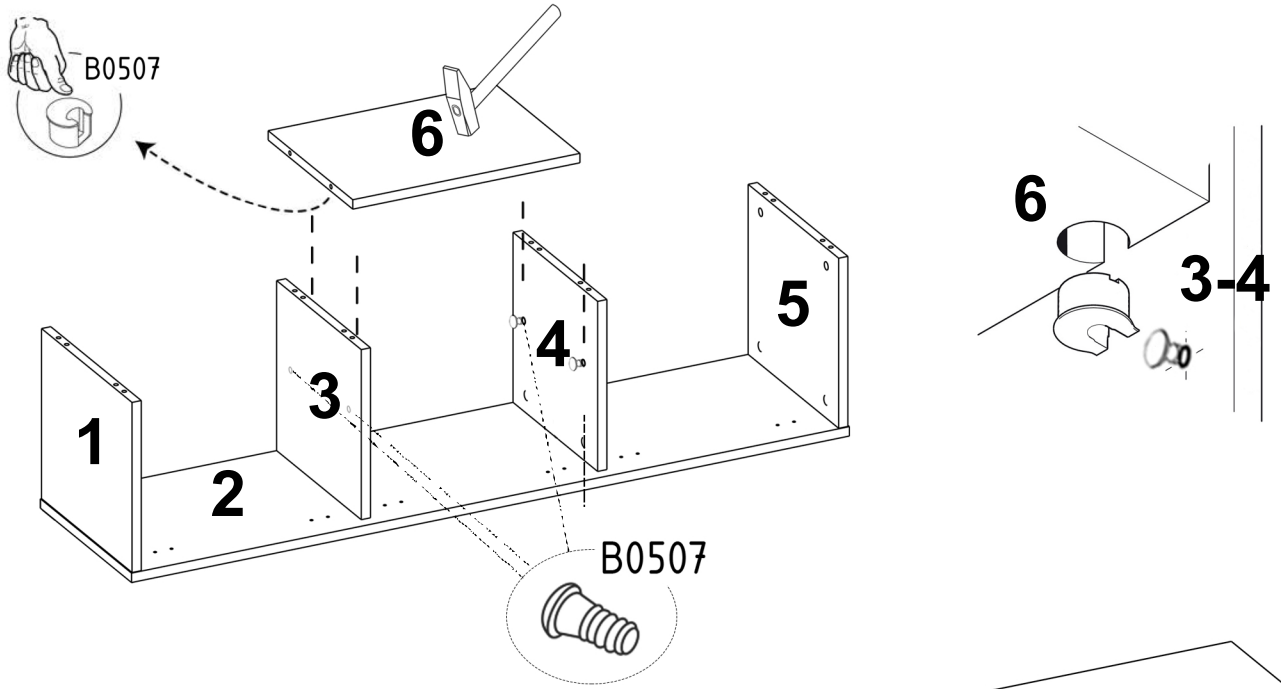
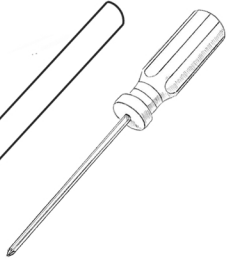
x8

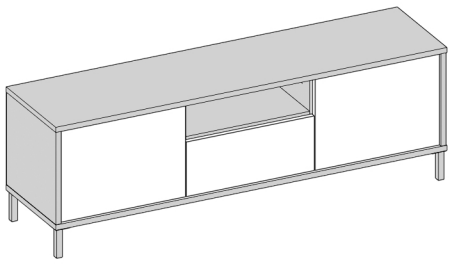


x8

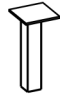


x8





D0154



x4

B0301

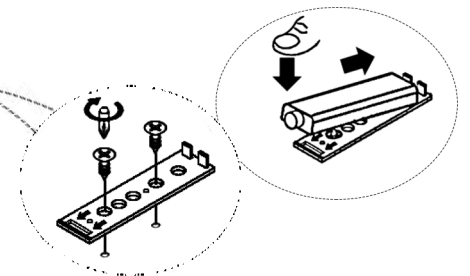
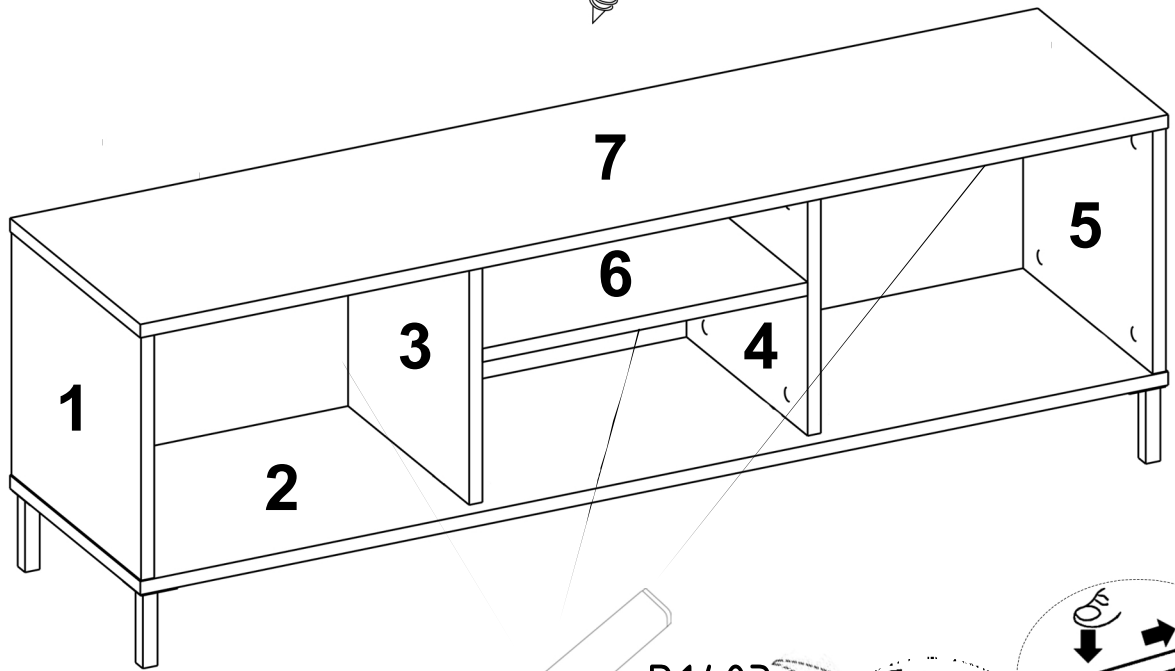
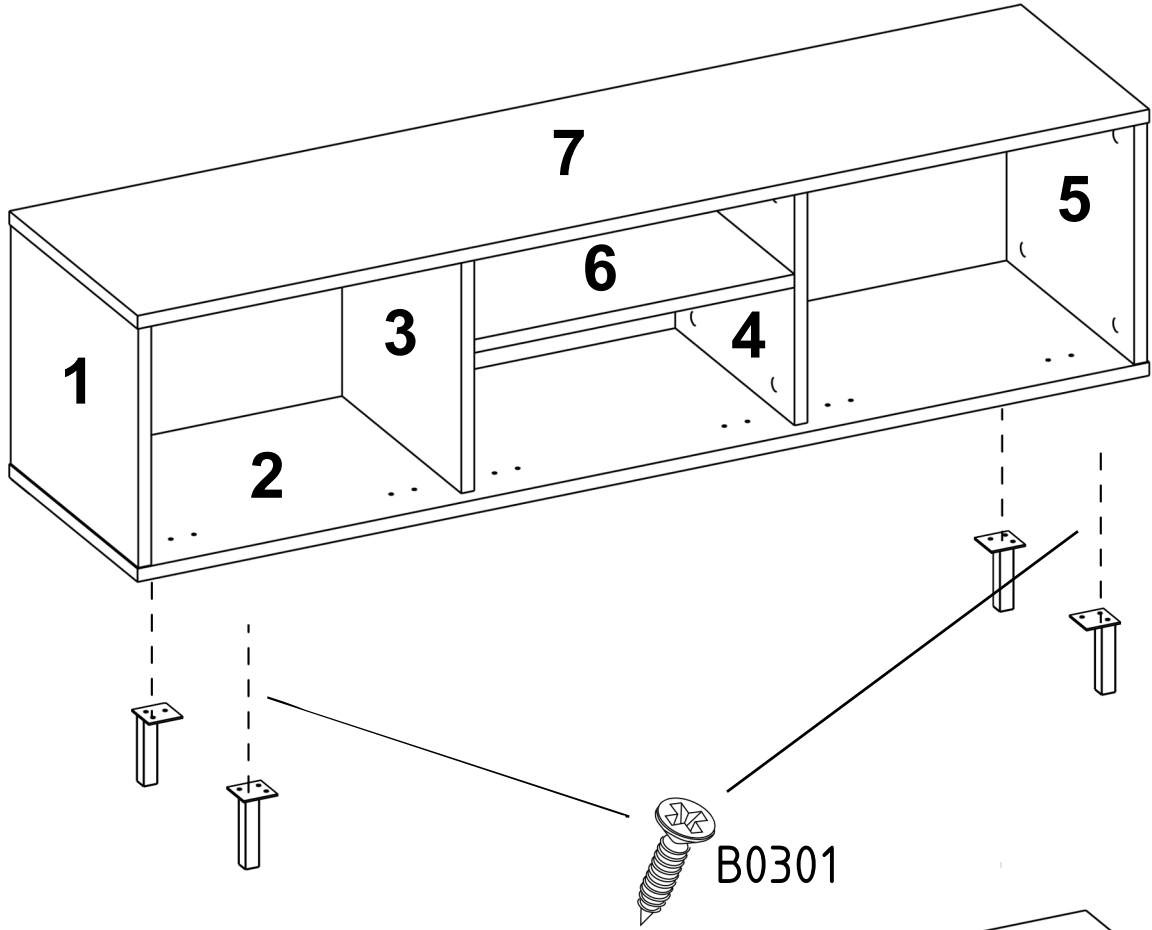
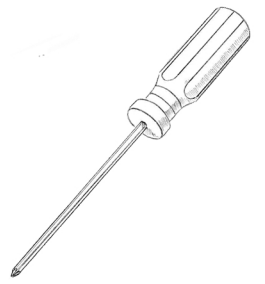


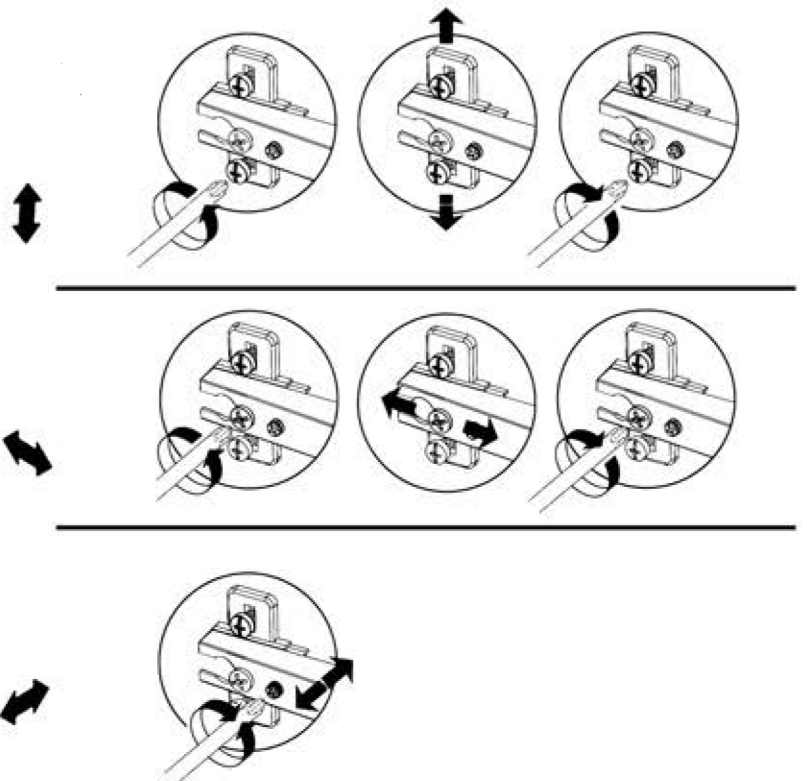
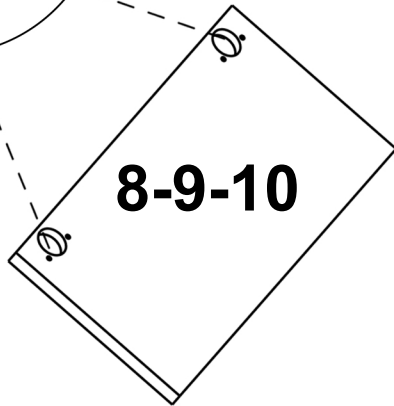
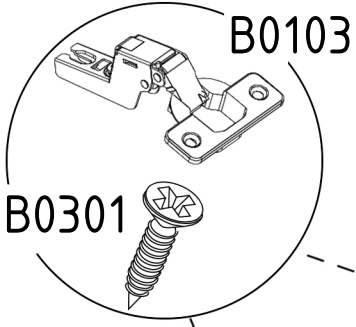
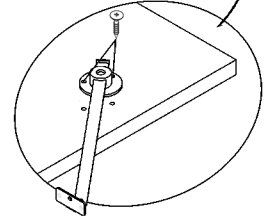
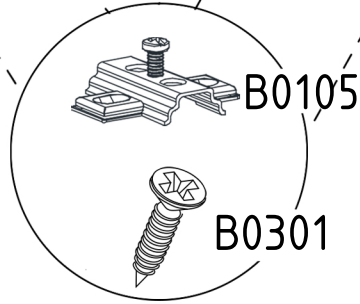
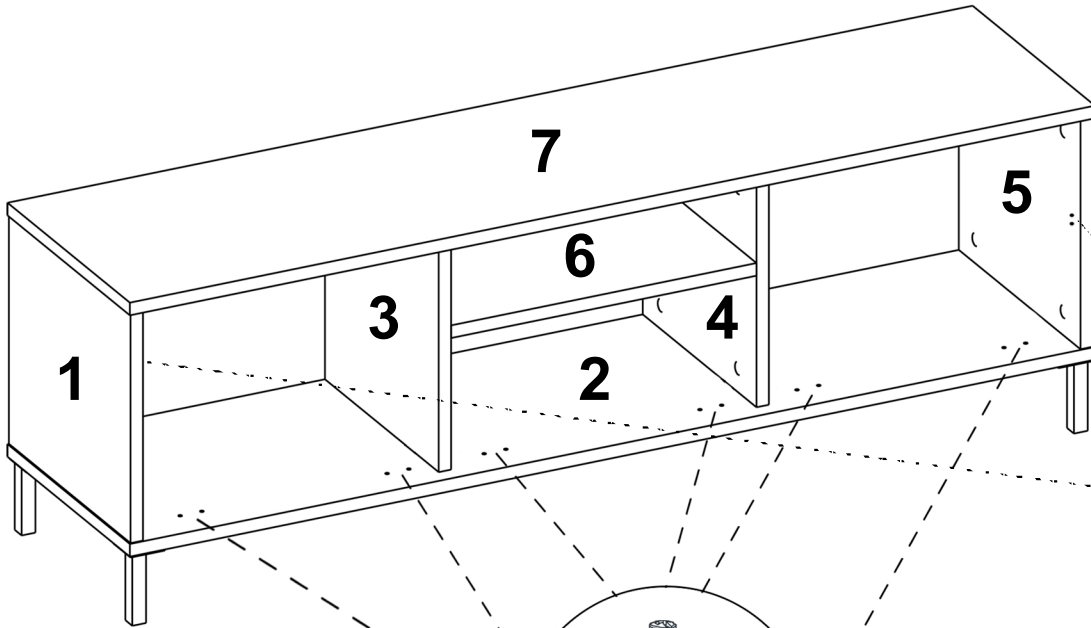
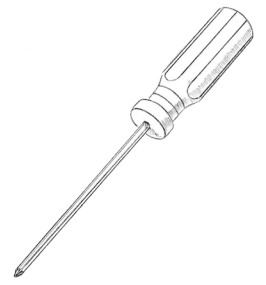
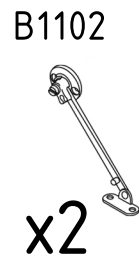
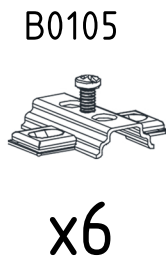
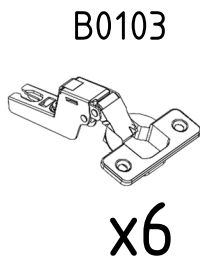
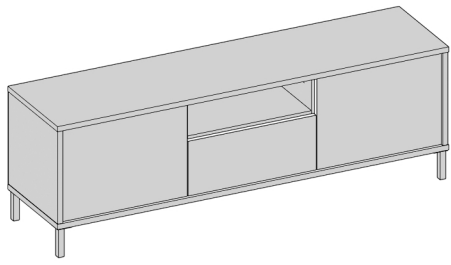
x18

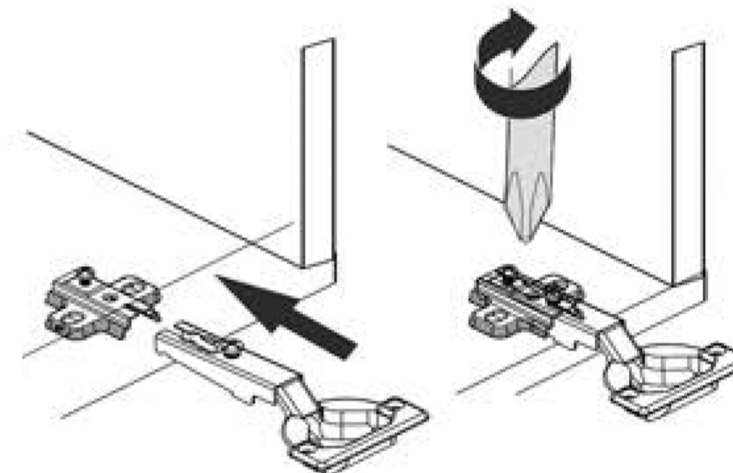
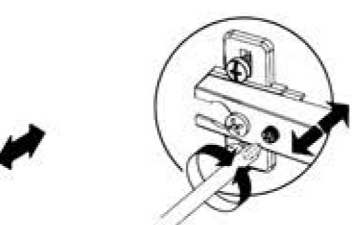
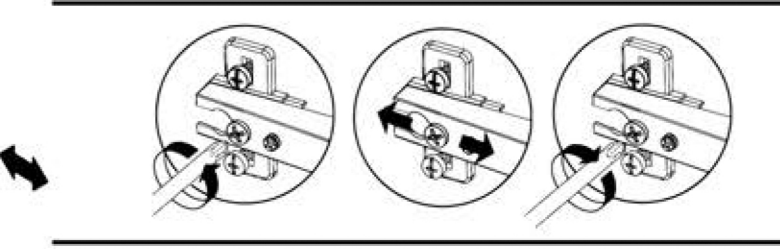
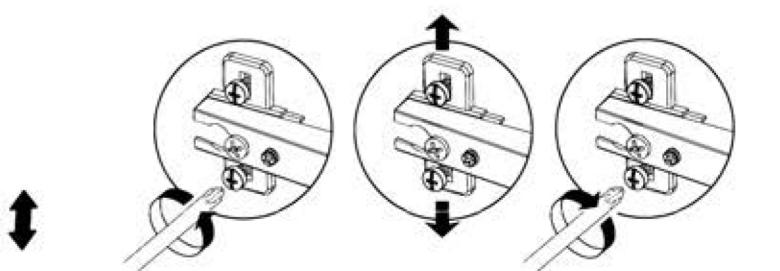
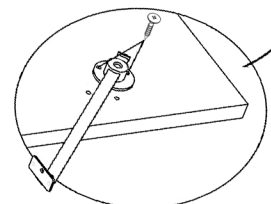
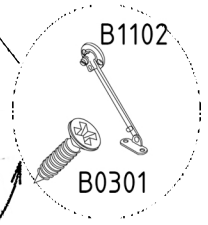
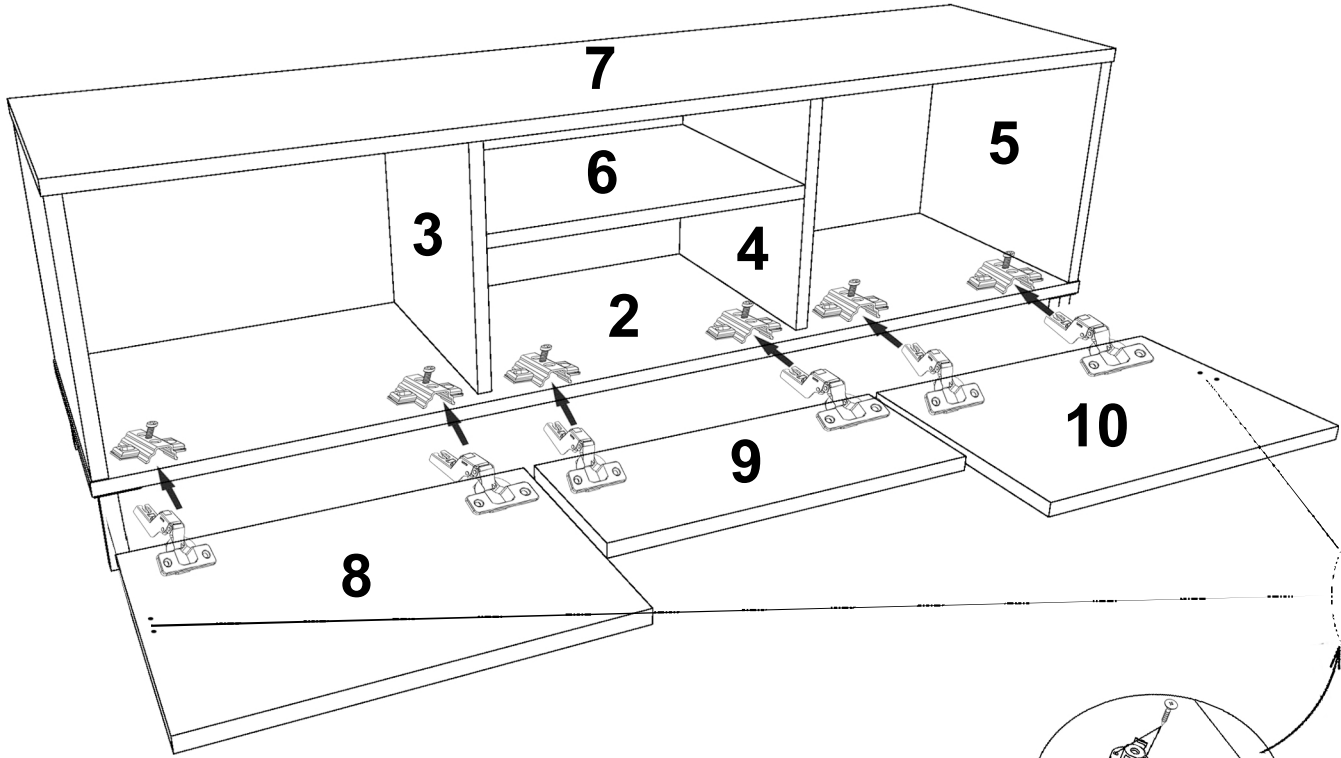
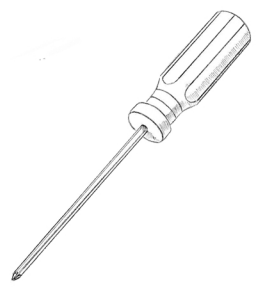
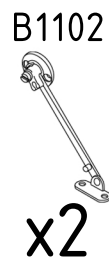
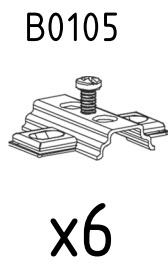
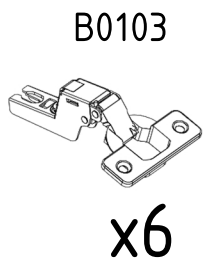
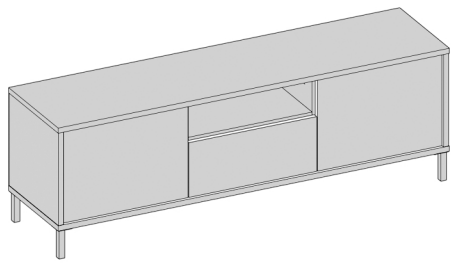
B1403

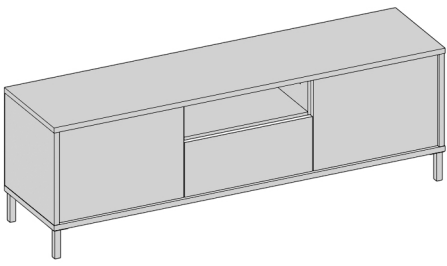


x3







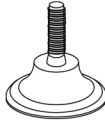


B0318



x25

B1702



x4

