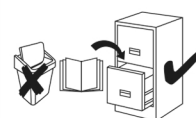
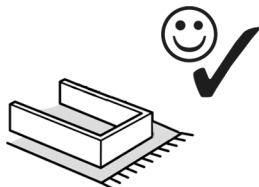
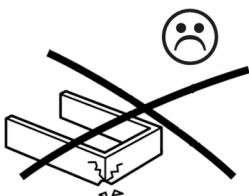
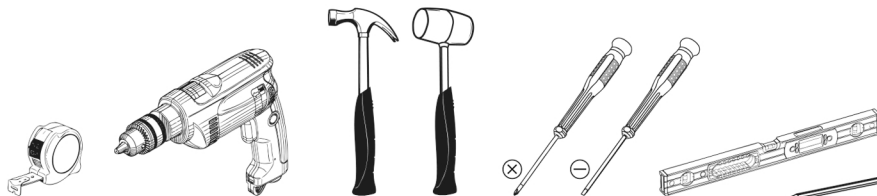
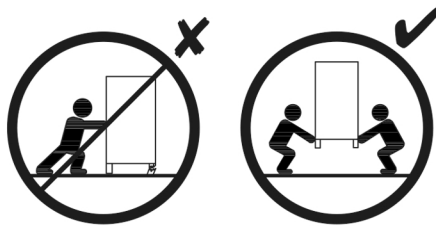
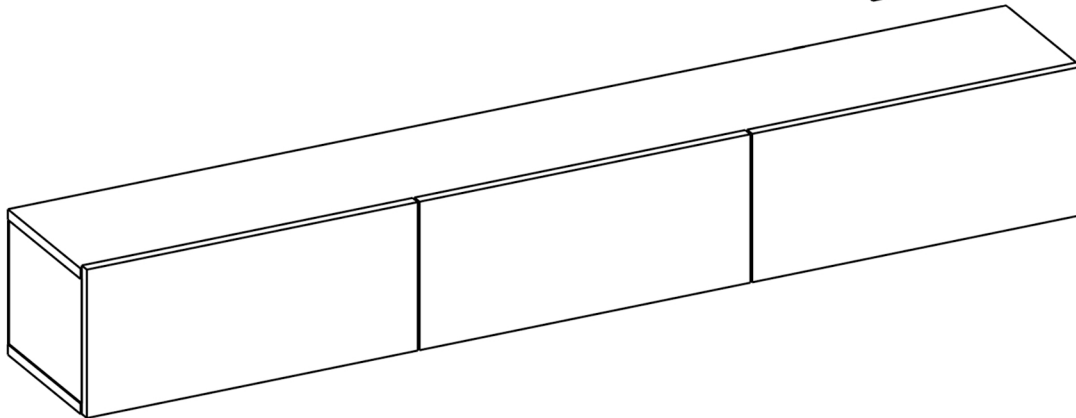
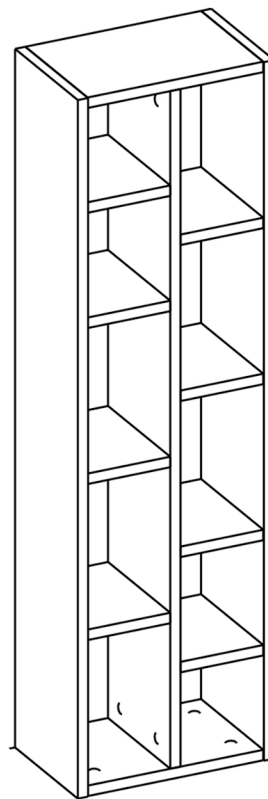


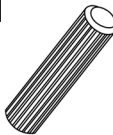
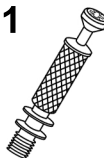

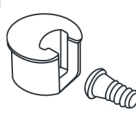

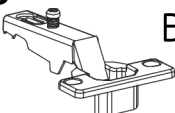
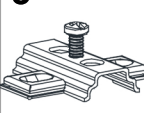
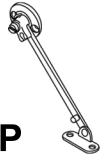
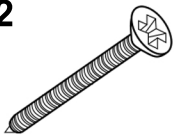
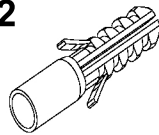
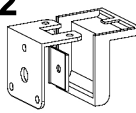
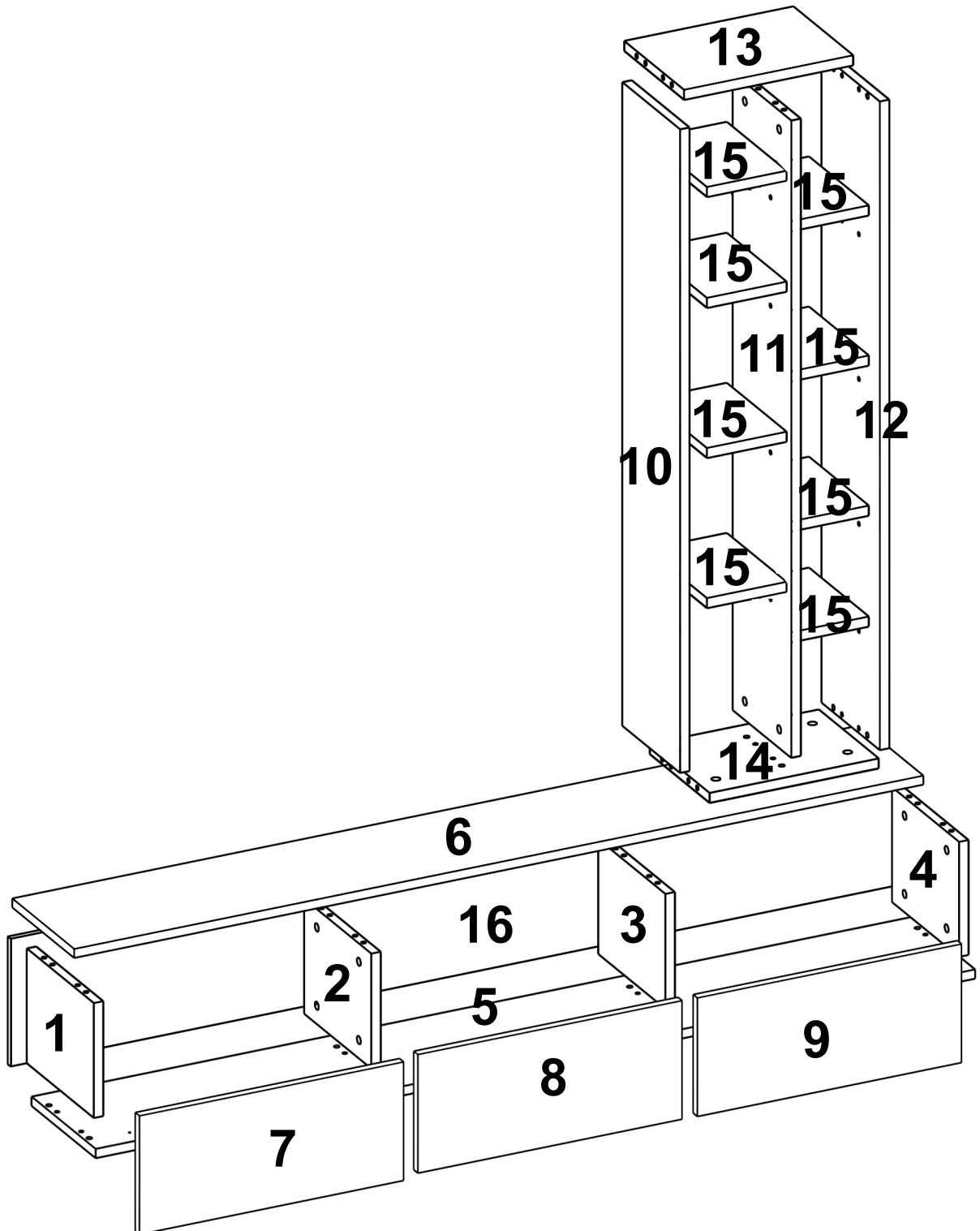
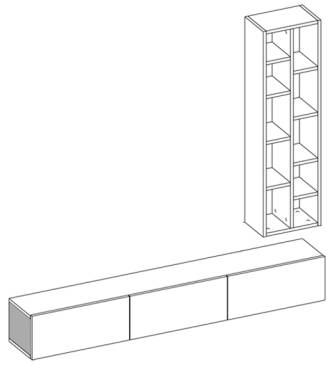


LV-9



1  B0501 x28	1  B0502 x28	1  B0503 x28	1  B0504 x28	2  B0301 x52
1  B0507 x32	2  B0318 x35	3  B0101 x6	3  B0105 x6	 B1102 x3 P
2  B0306 x8	2  B0317 x8	2  B1303 x8		





B0502



x8

B0503



x8

B0504

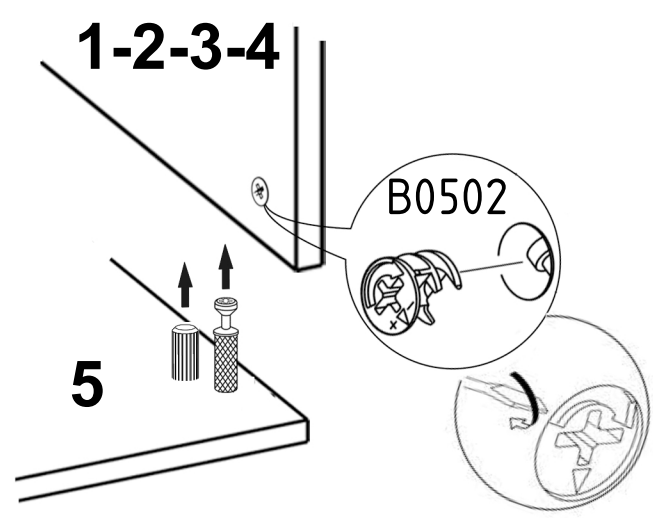
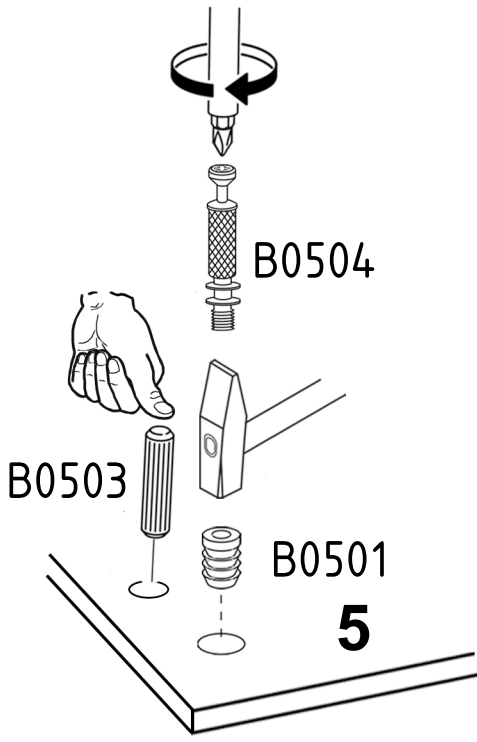
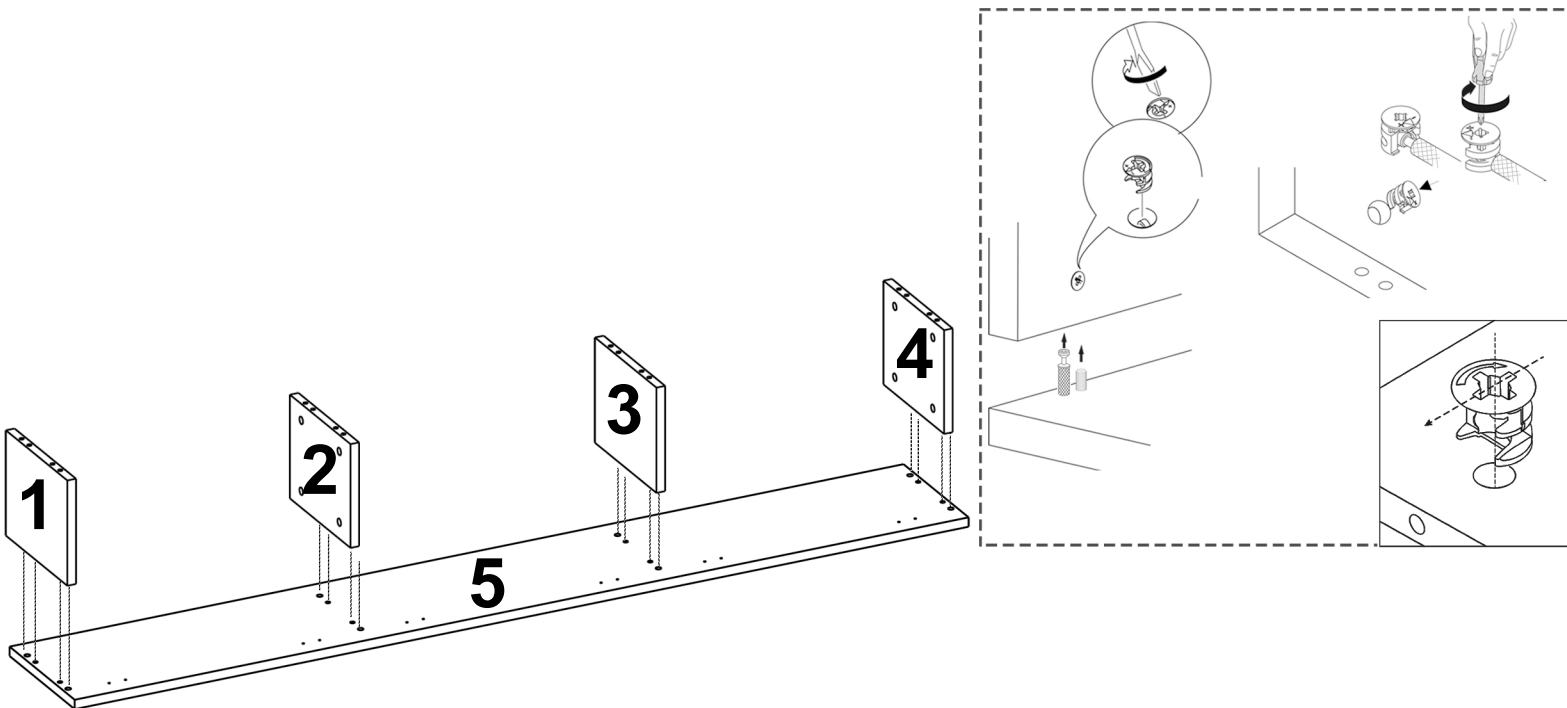
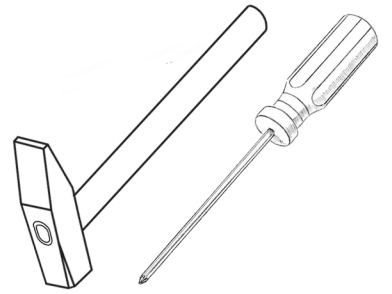


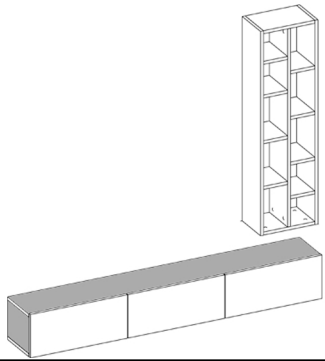
x8

B0501



x8





B0502



x8

B0503



x8

B0504

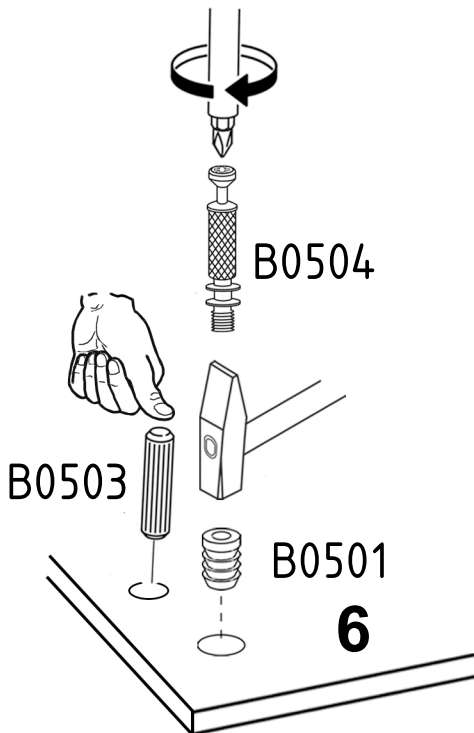
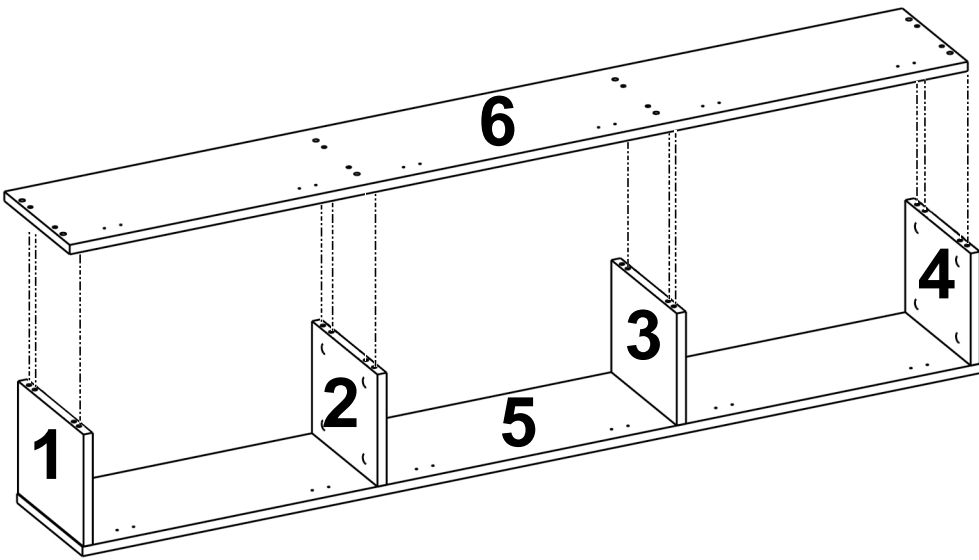
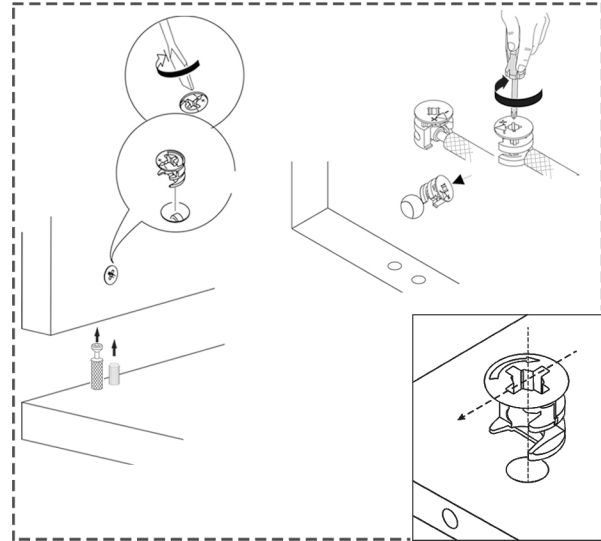
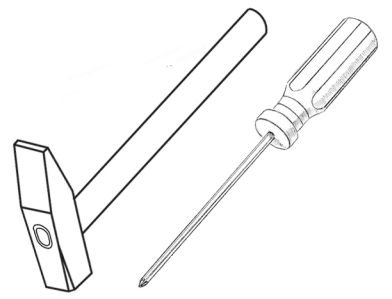


x8

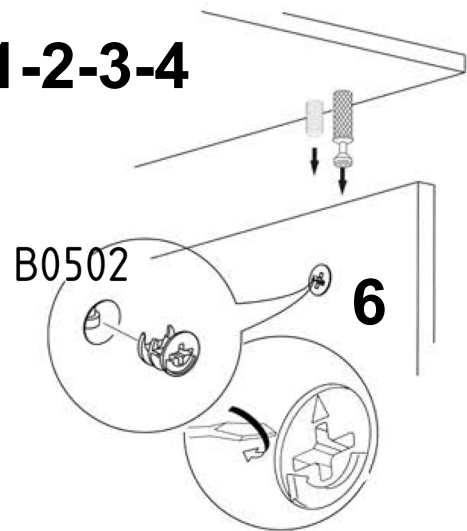
B0501

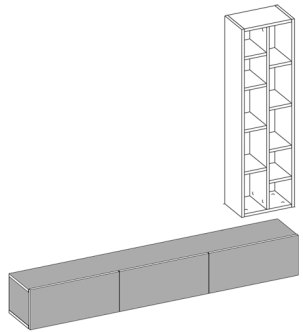


x8

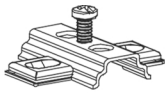


1-2-3-4





B0105



x6

B0301

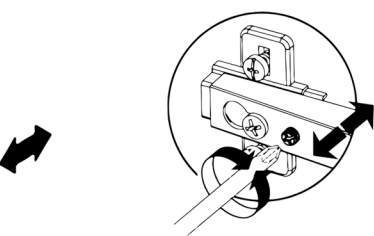
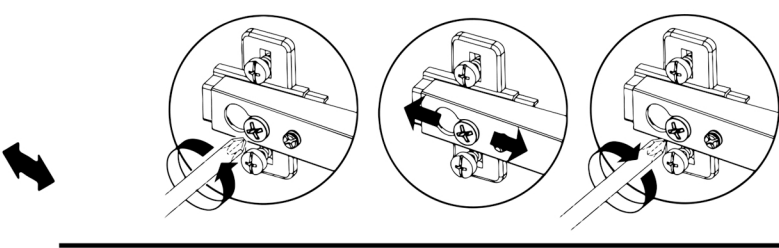
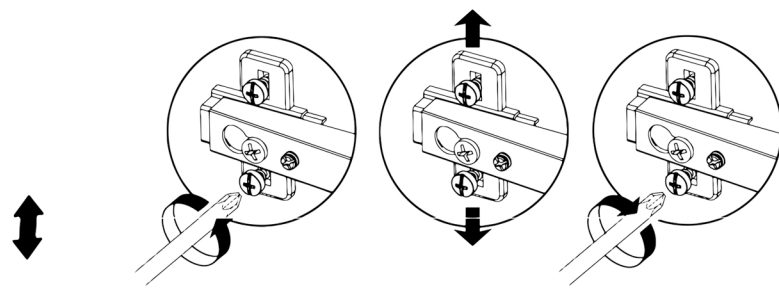
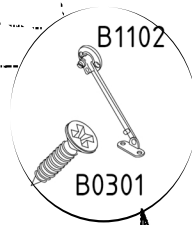
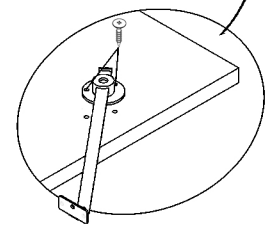
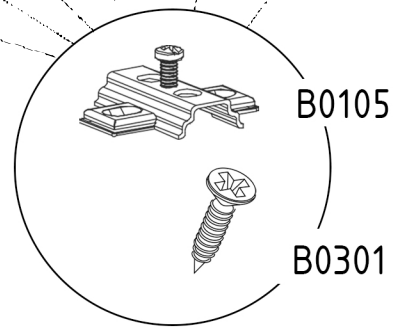
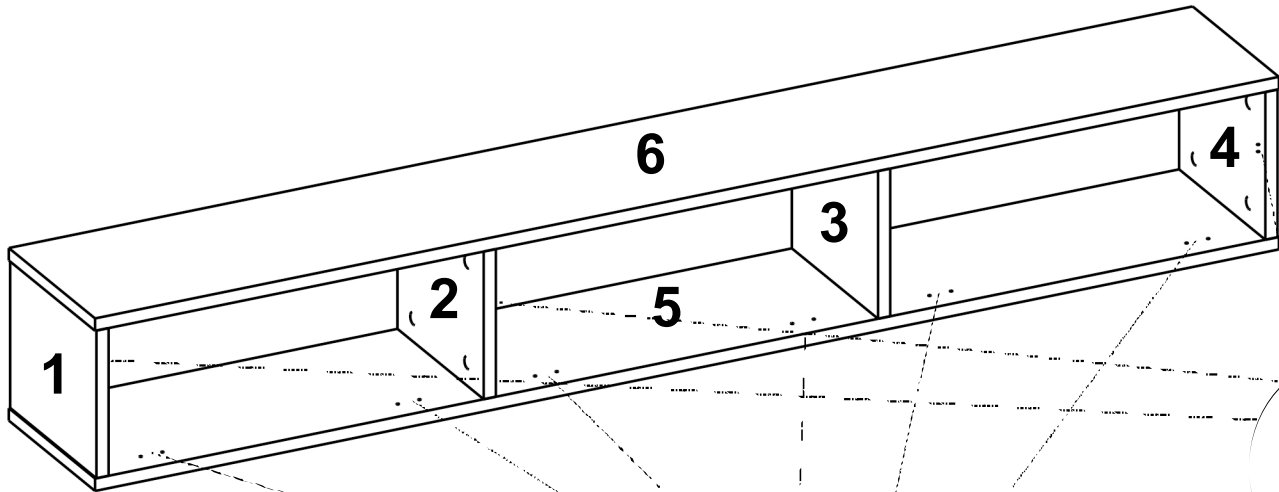
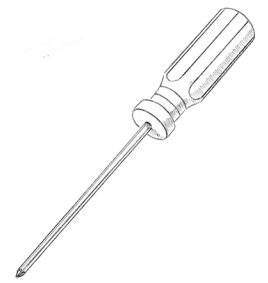


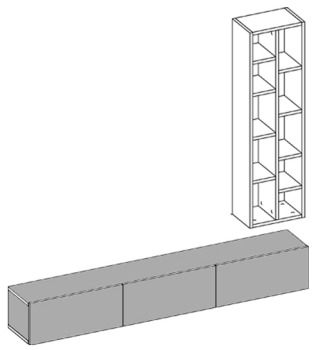
x18

B1102

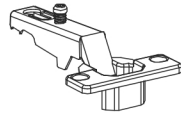


x3





B0101



x6

B0301



x18

B0318

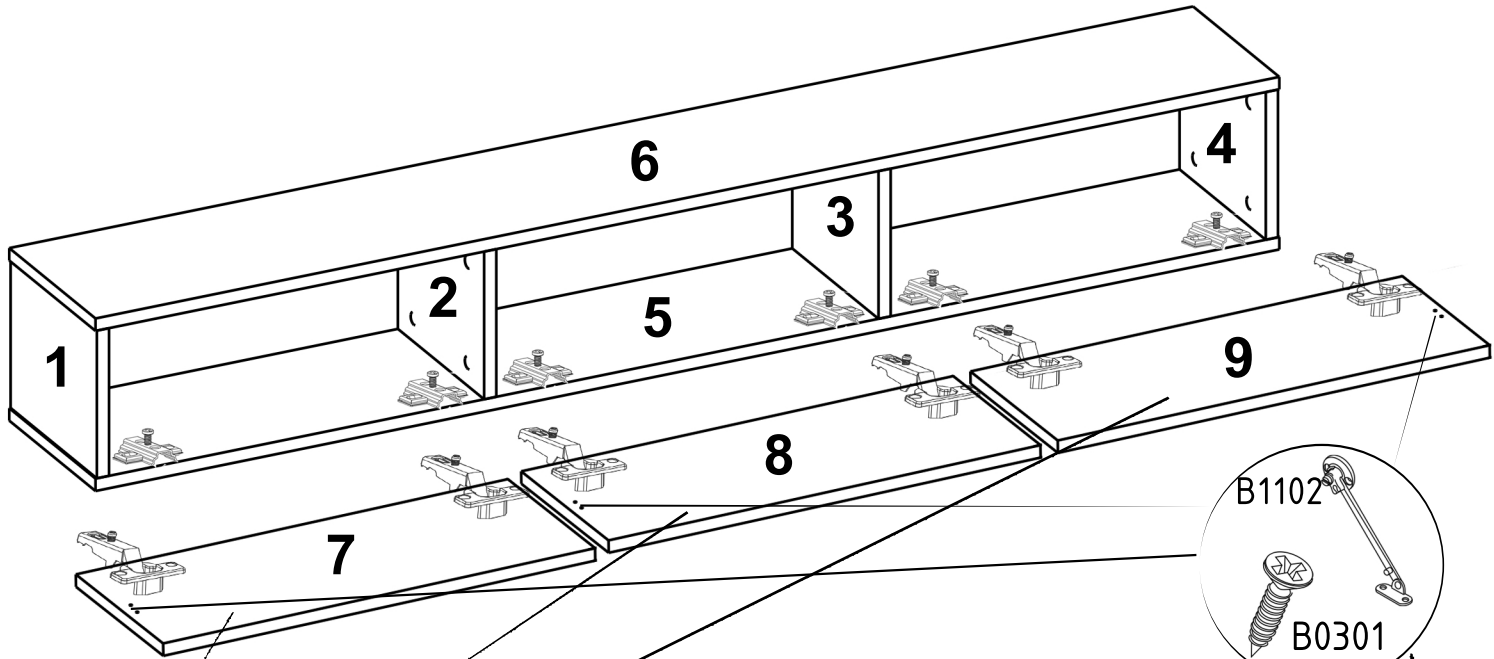
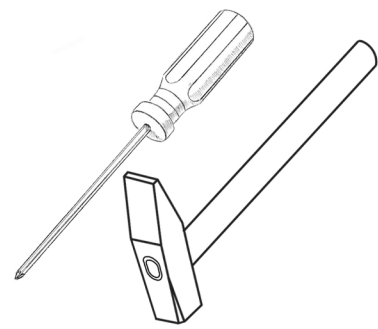


x30

B1102



x3



B1102

B0301

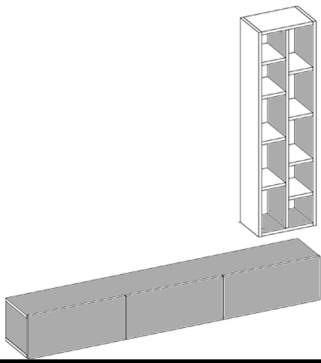
B0101

B0301

B0101

16

B0318



B0502



x4

B0503



x4

B0504

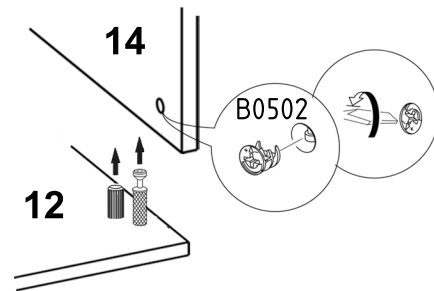
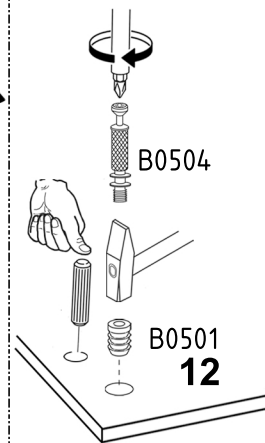
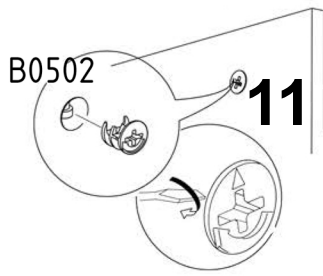
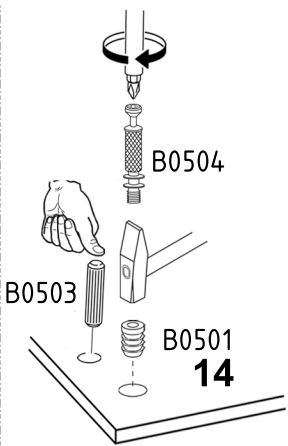
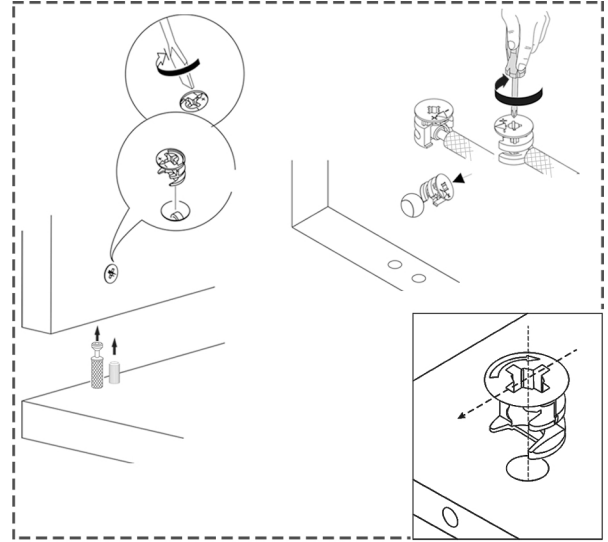
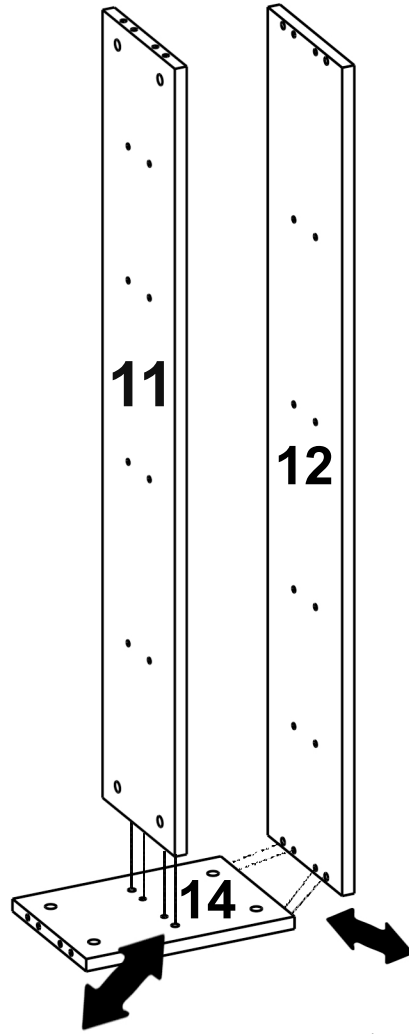
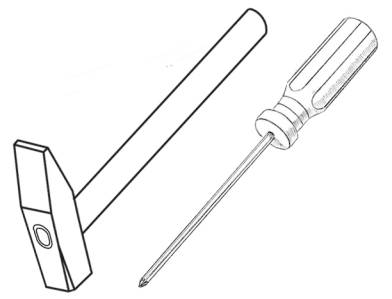


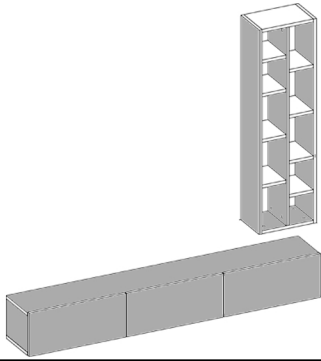
x4

B0501



x4





B0502



x2

B0503



x2

B0504

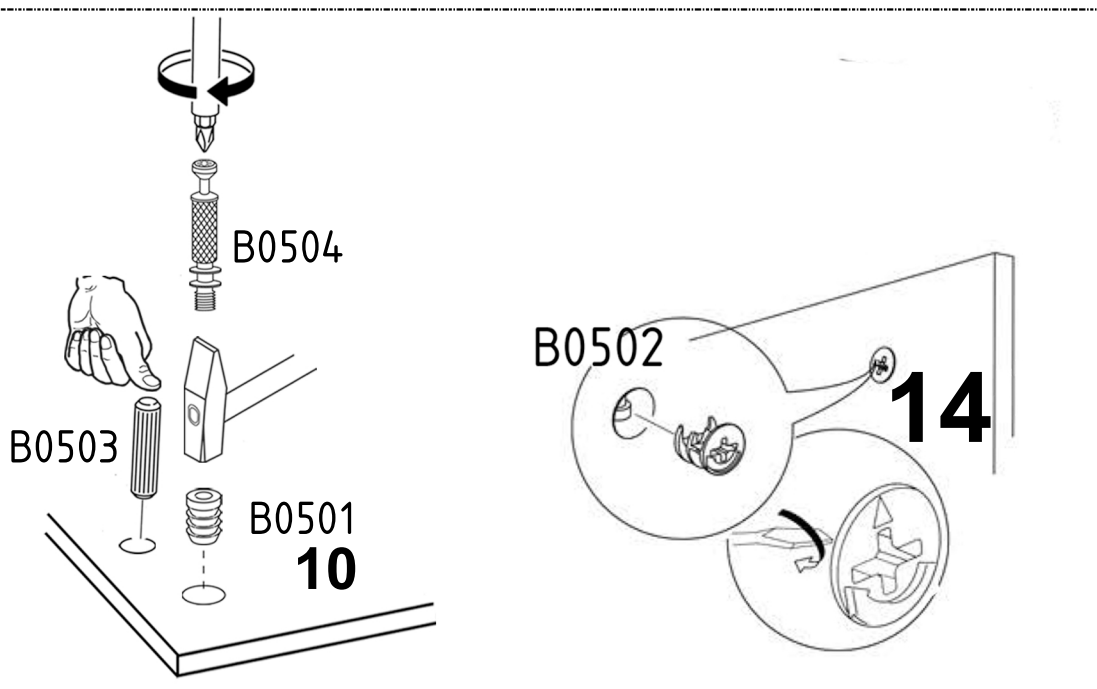
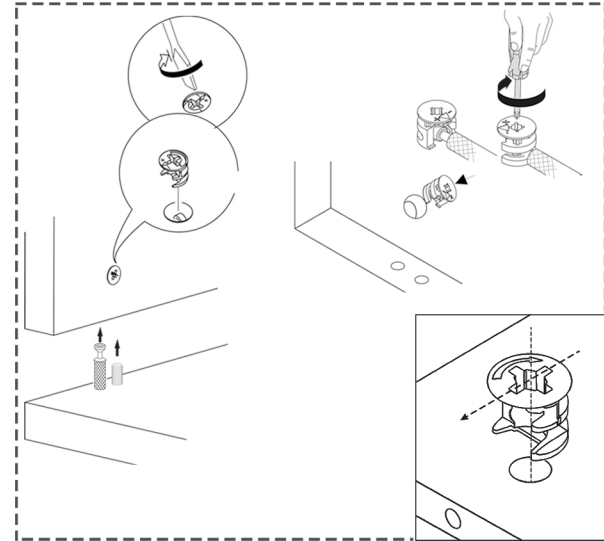
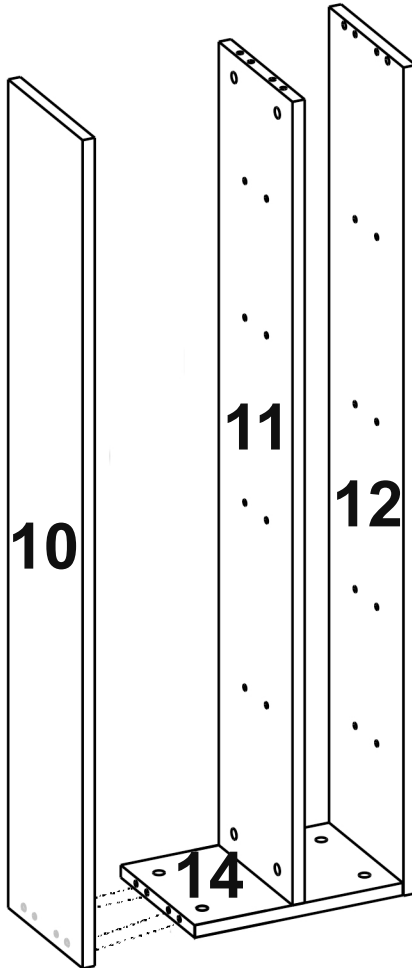
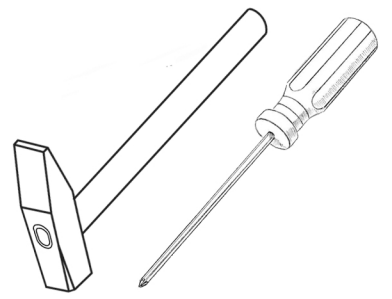


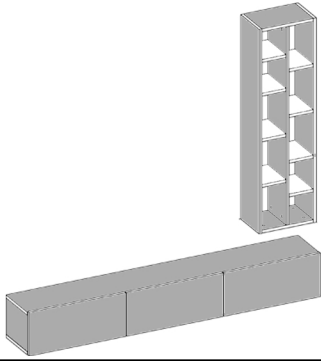
x2

B0501



x2



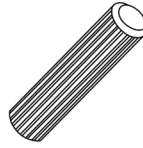


B0502



x6

B0503



x6

B0504

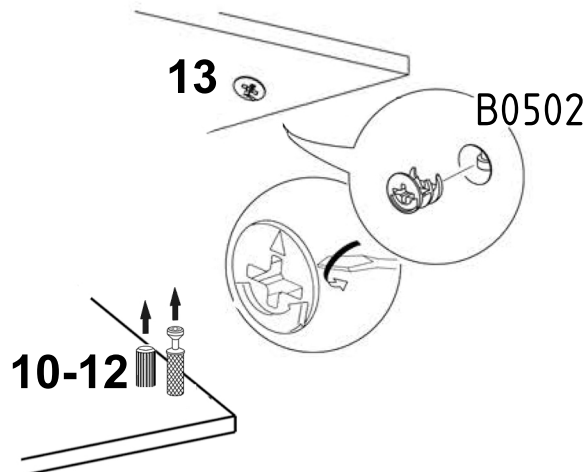
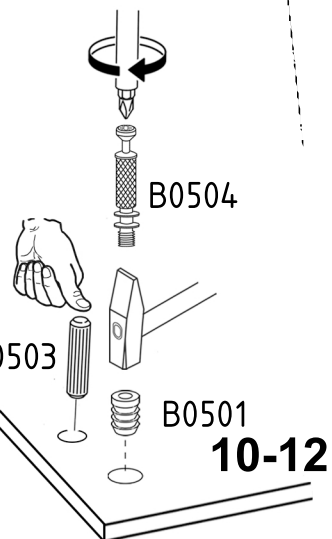
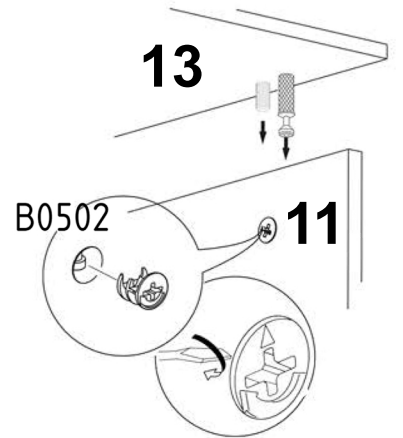
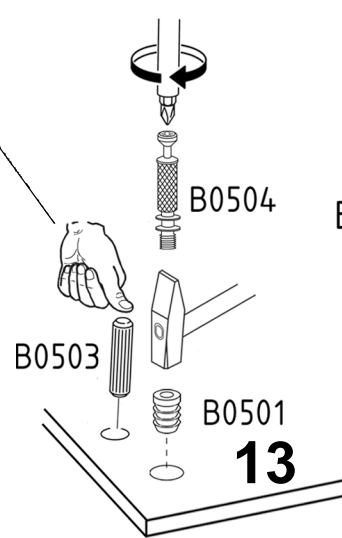
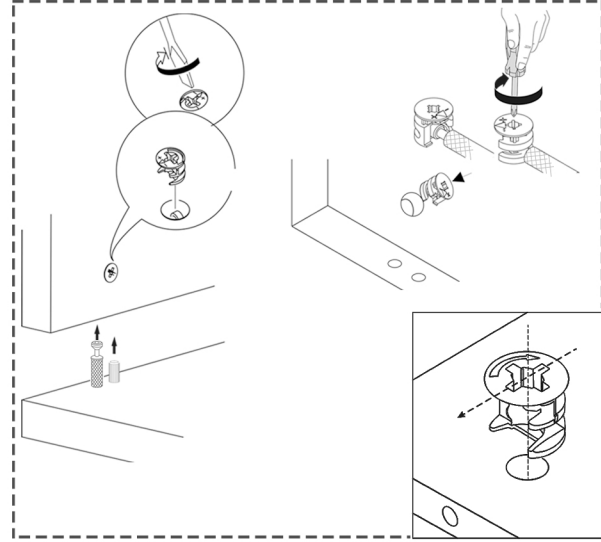
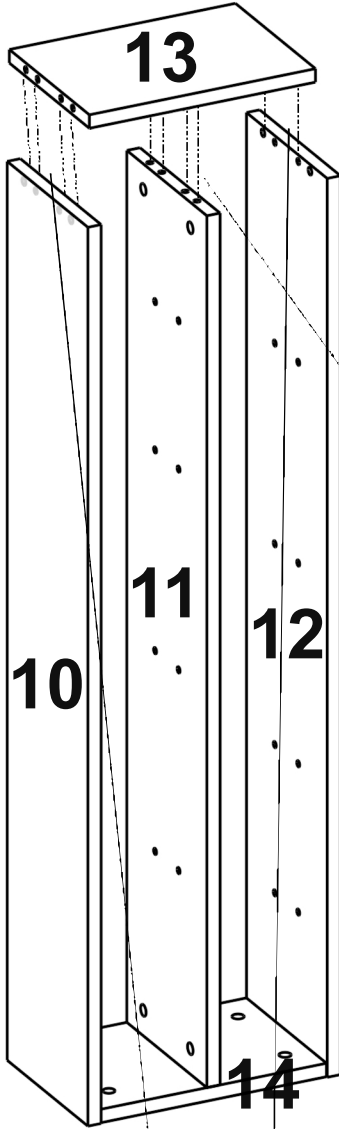
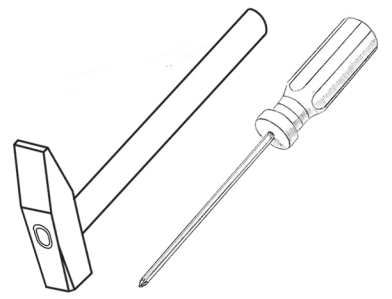


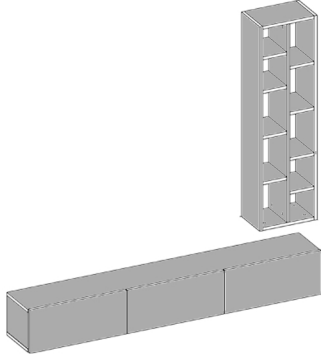
x6

B0501

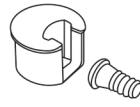


x6

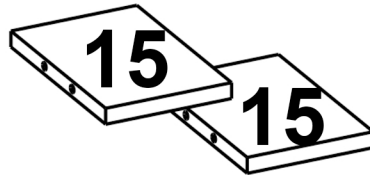
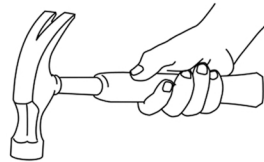
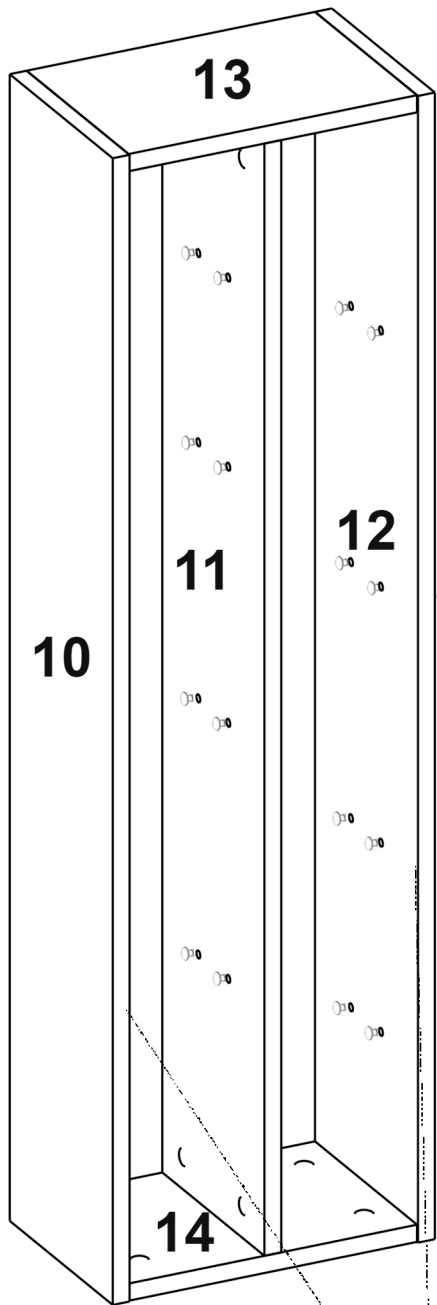
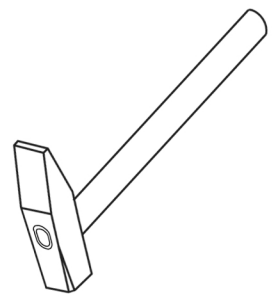




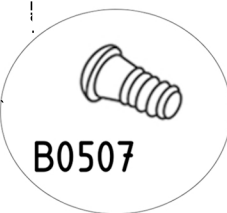
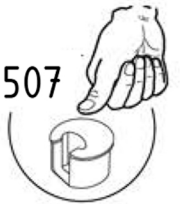
B0507



x32

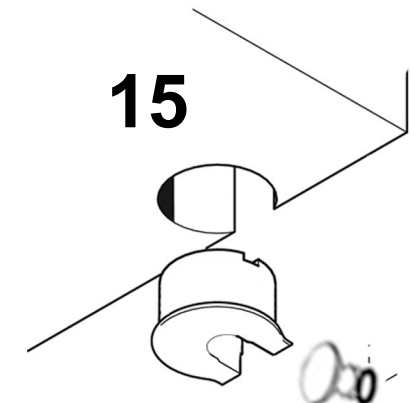


B0507

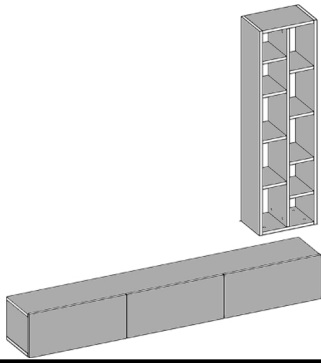


B0507

15



10-11-12

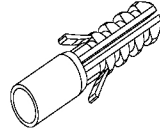


B0306



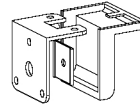
x8

B0317



x8

B1303



x8

B0301



x16

