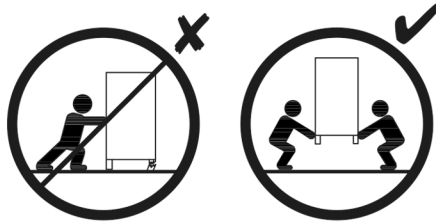
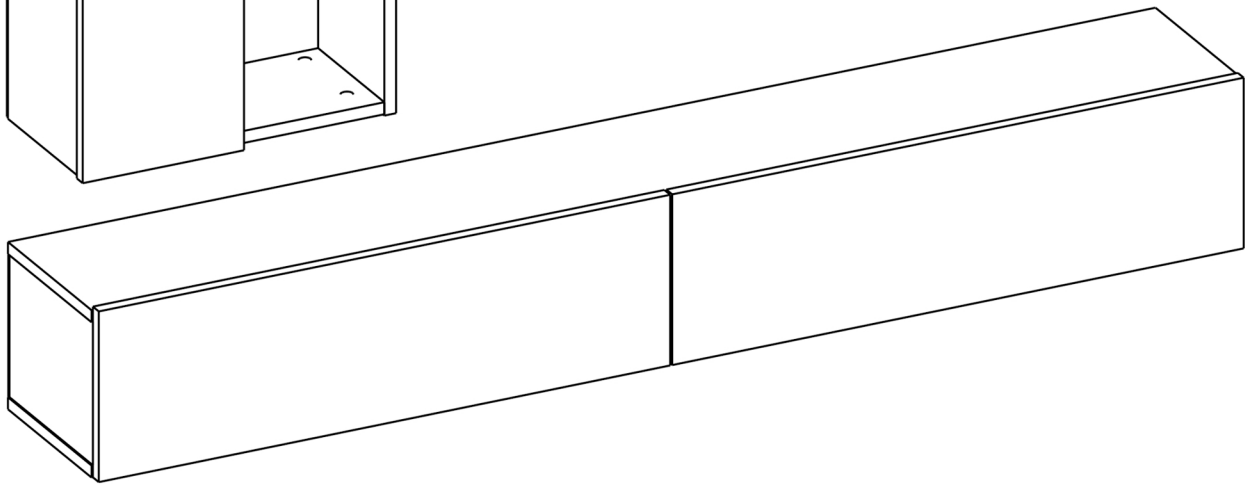
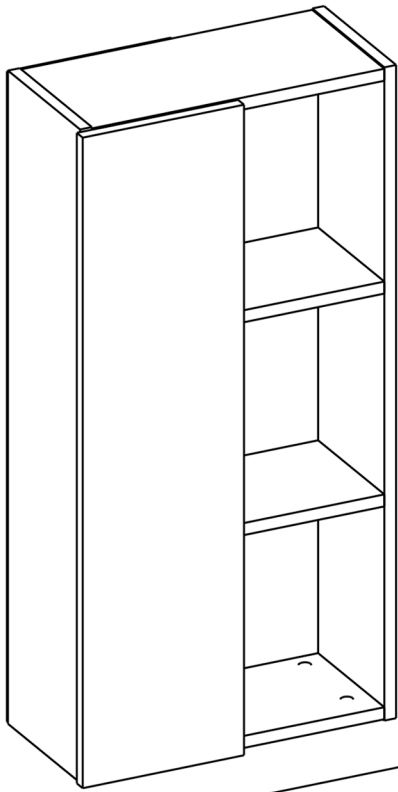


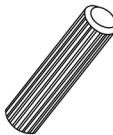
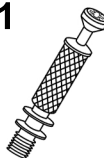




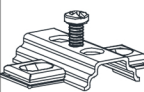
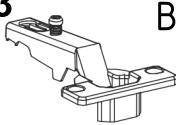
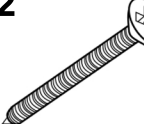
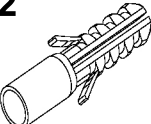
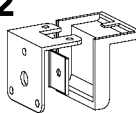

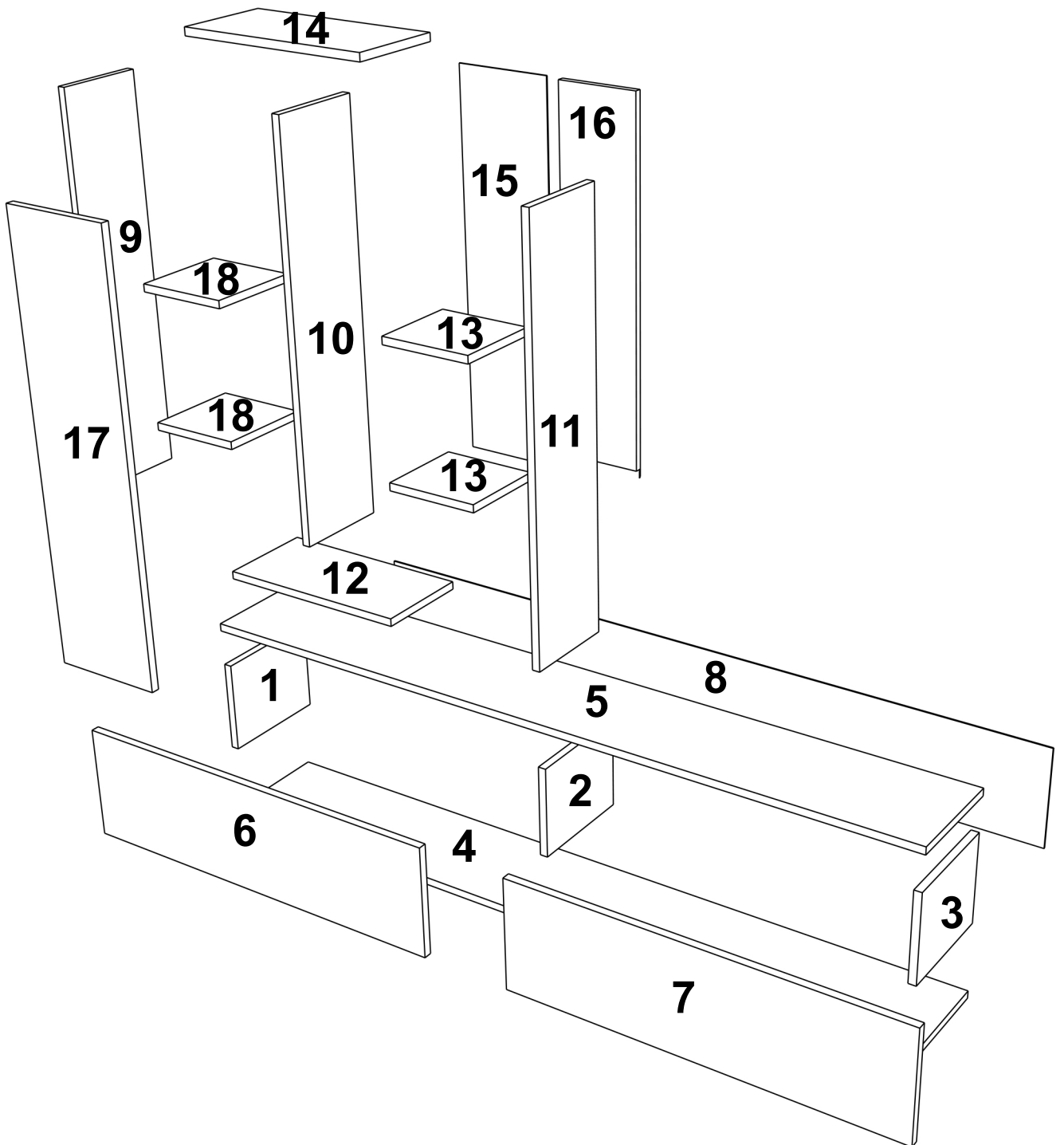
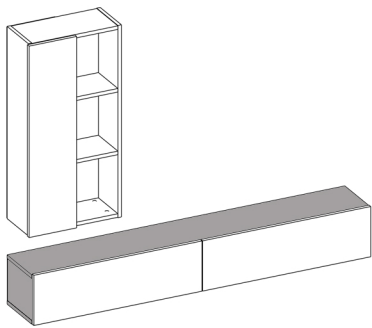


# LV10




1  B0501 x25	1  B0502 x25	1  B0503 x30	1  B0504 x25	2  B0301 x50
2  B0507 x8	P  B1102 x2	2  B0318 x40	3  B0105 x6	3  B0101 x6
2  B0306 x8	2  B0317 x8	2  B1303 x8	2  B0509 x8	



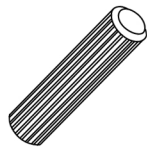


B0502



x12

B0503



x12

B0504

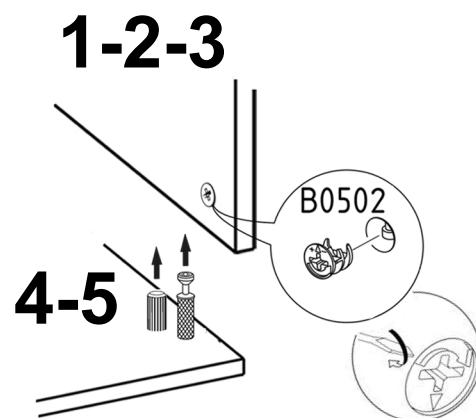
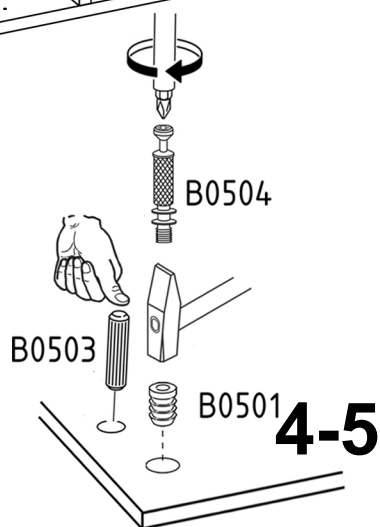
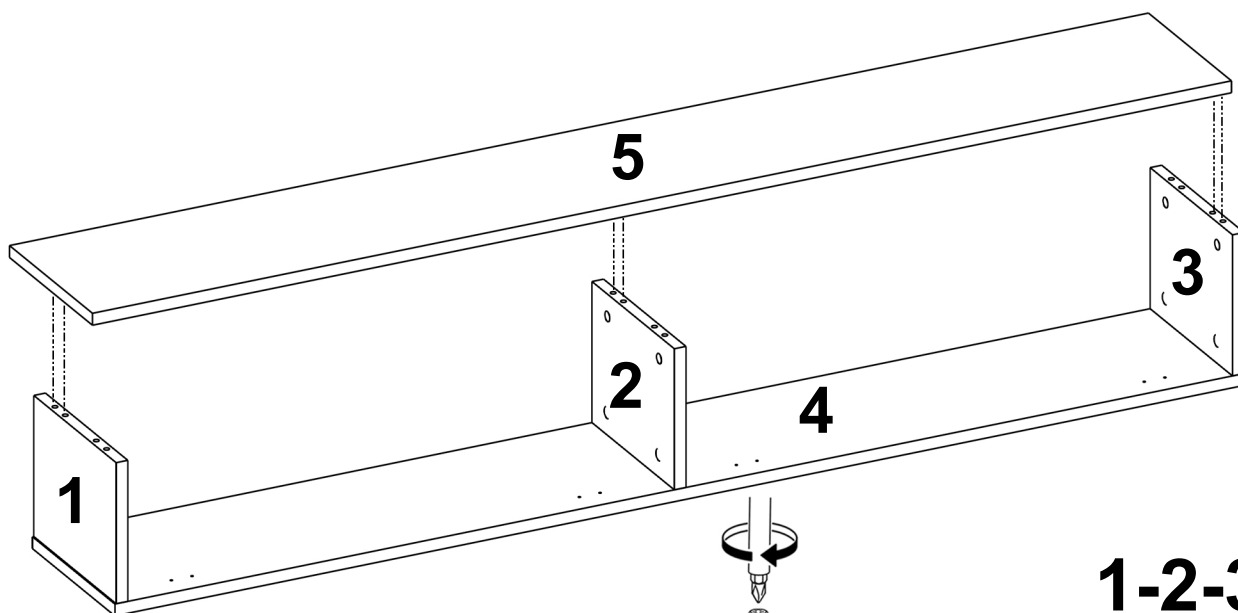
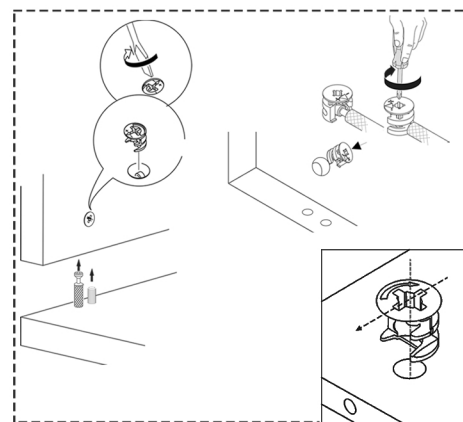
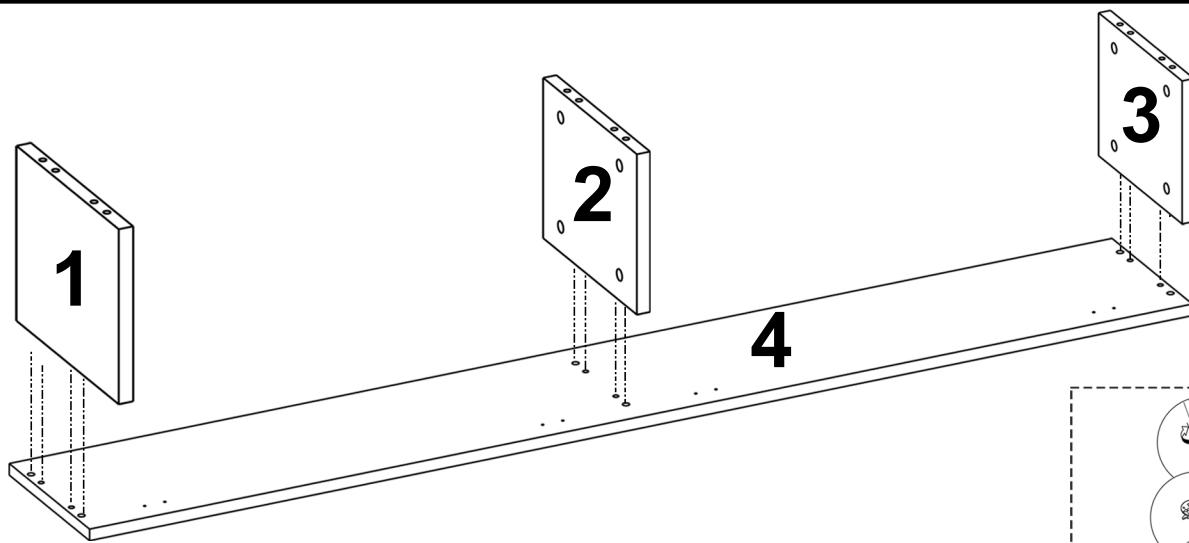
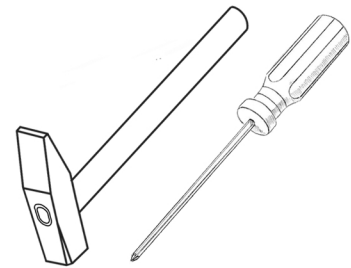


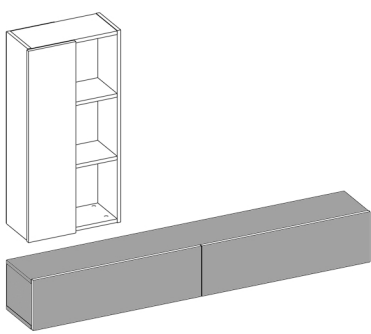
x12

B0501

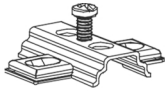


x12





B0105



x4

B0301

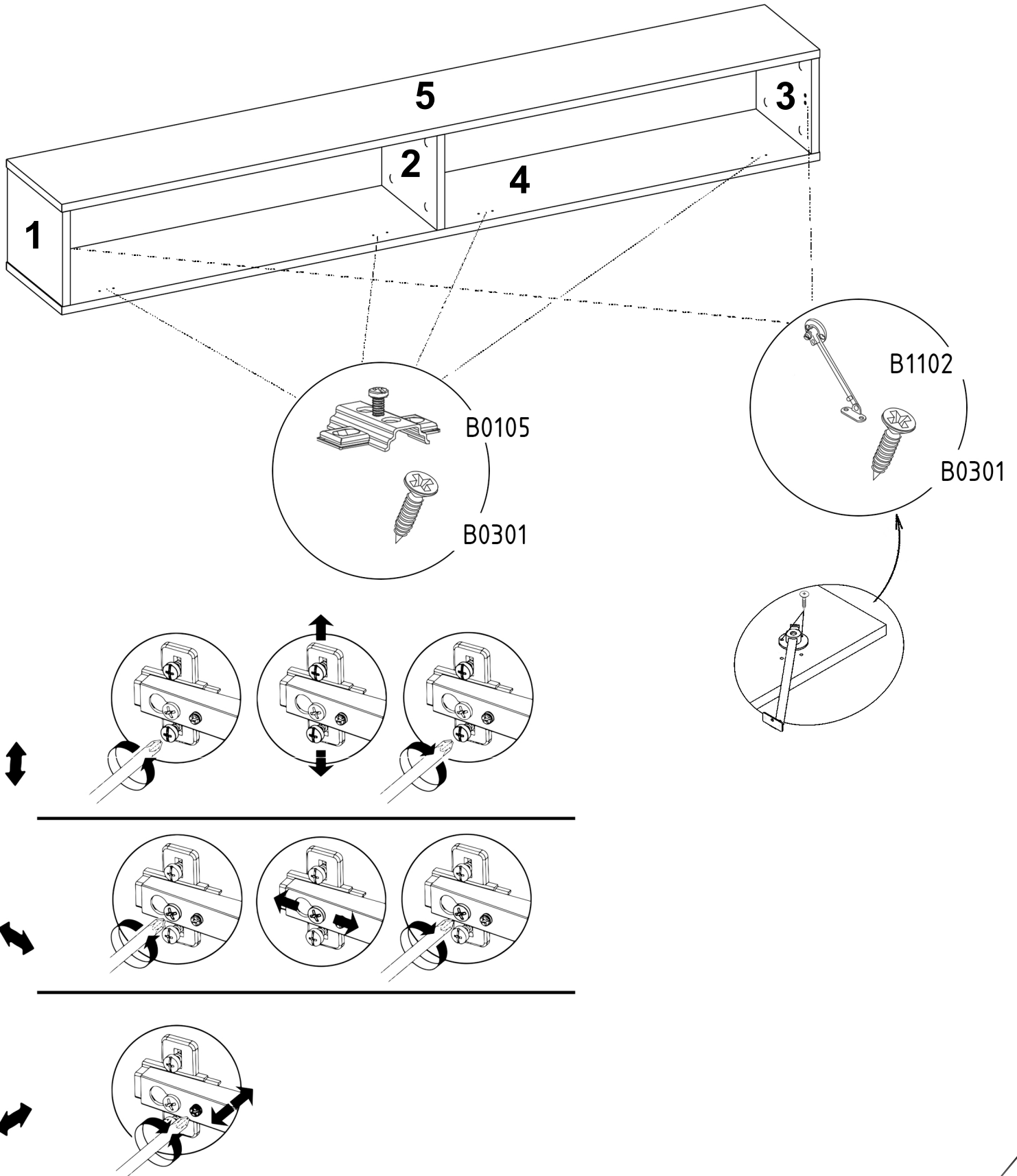
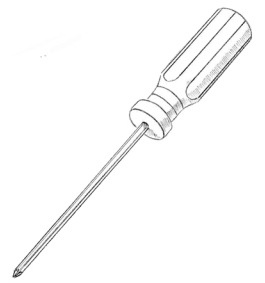


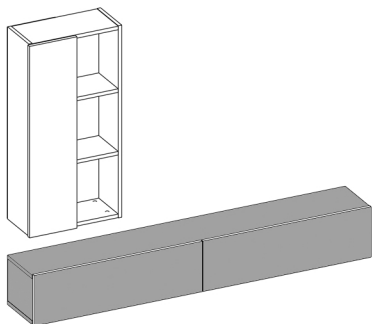
x12

B1102

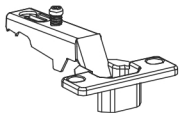


x2





B0101



x4

B0301



x12

B0318

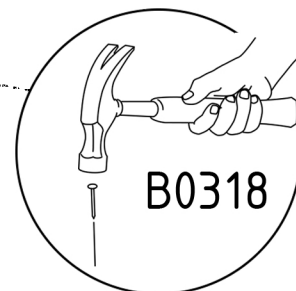
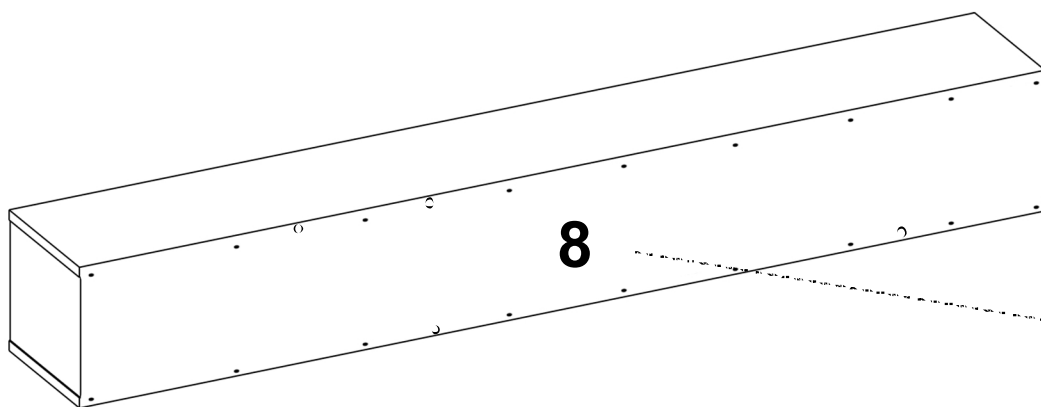
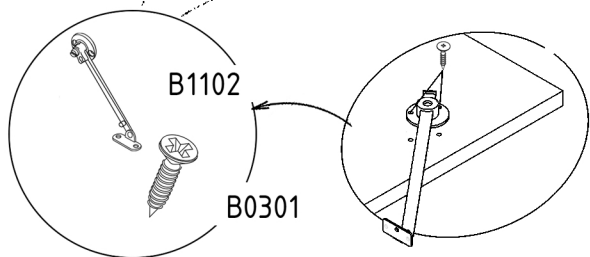
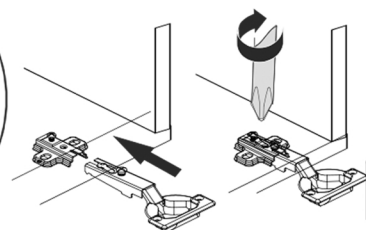
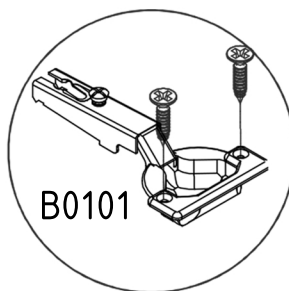
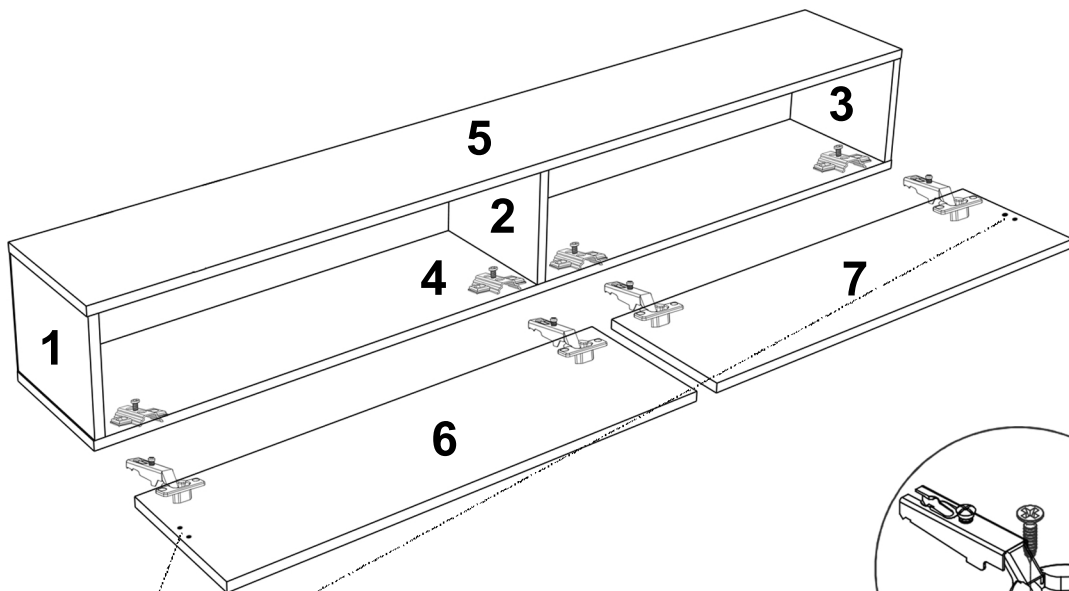
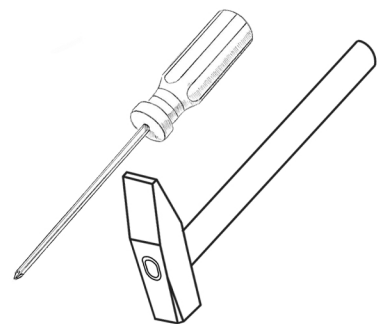


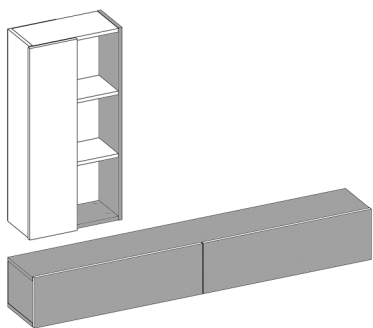
x25

B1102



x2



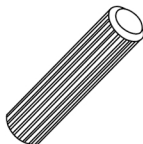


B0502



x2

B0503



x2

B0504

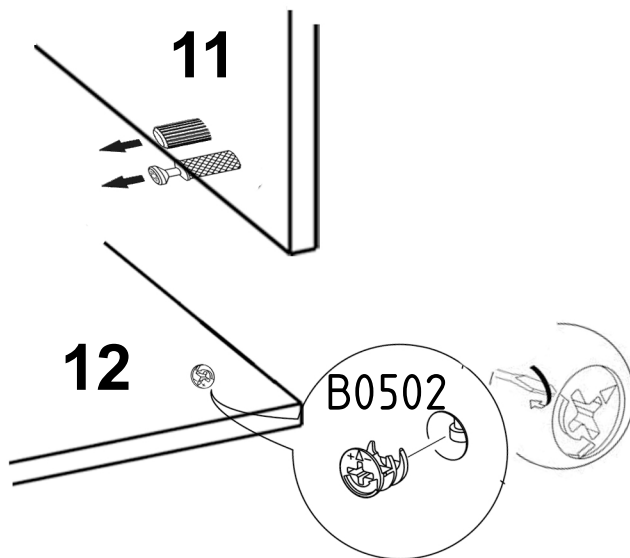
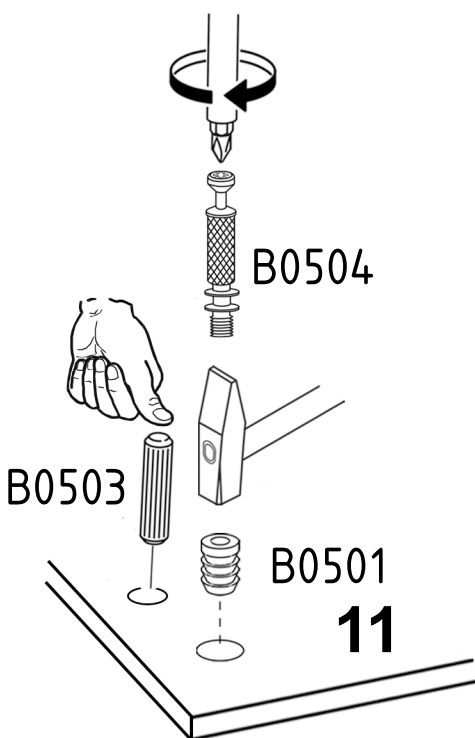
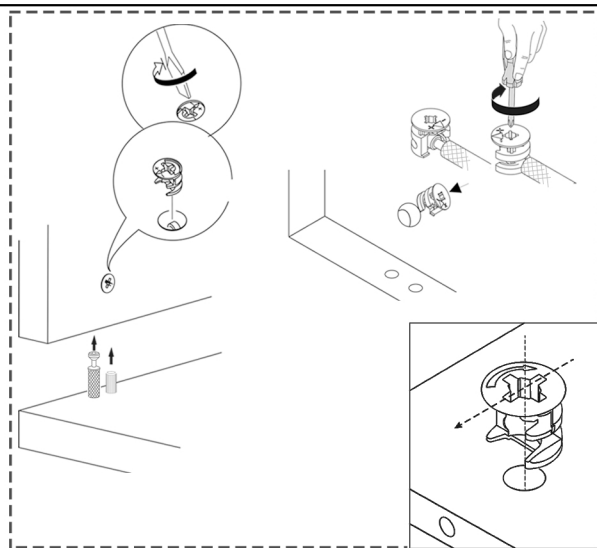
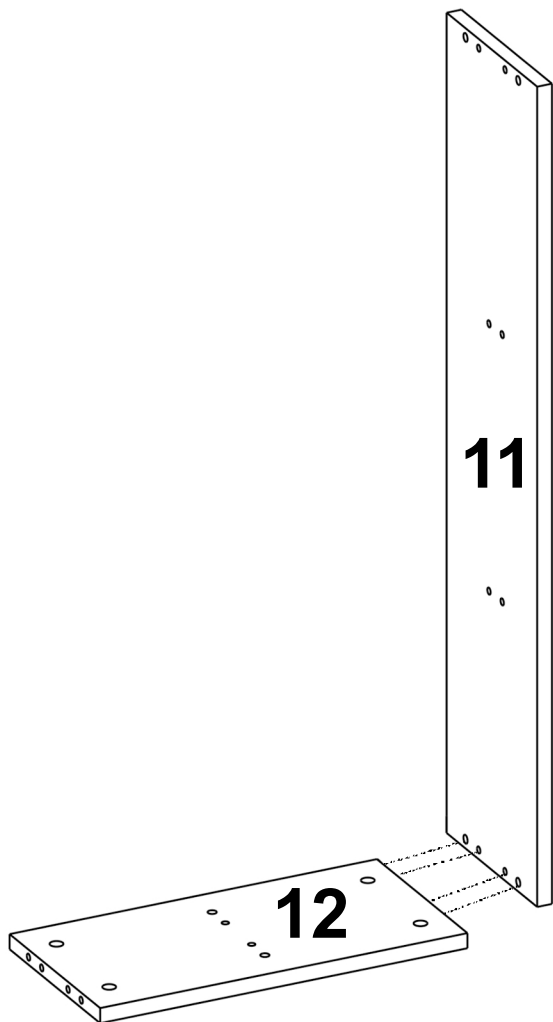
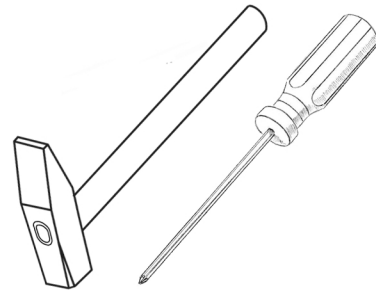


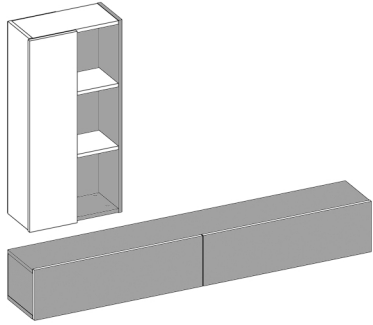
x2

B0501

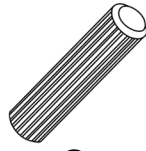


x2

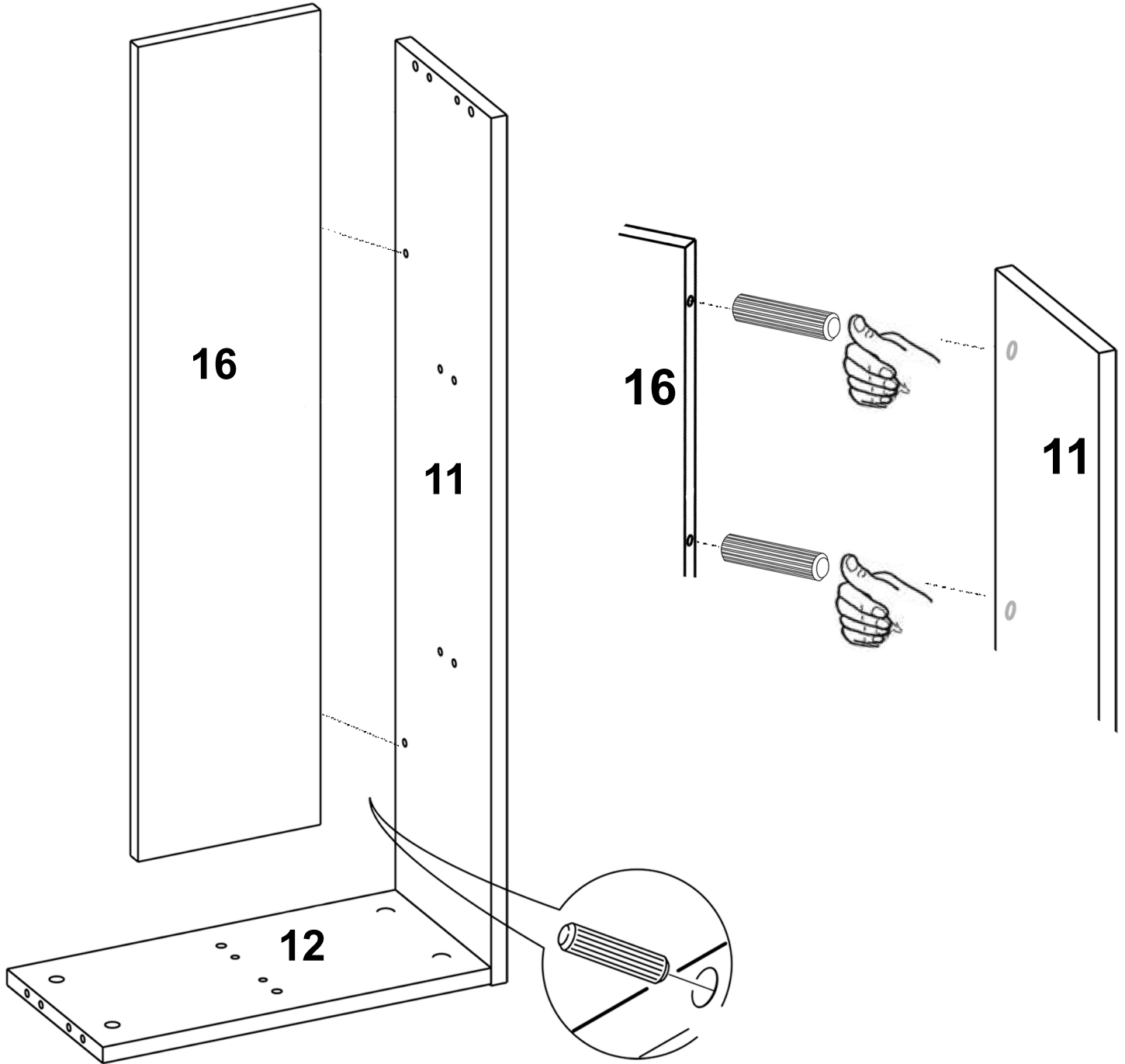
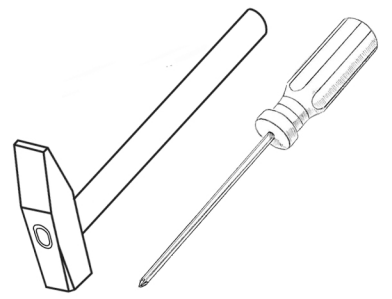


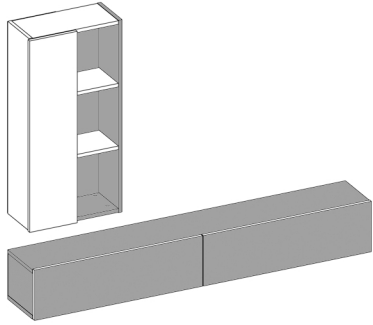


B0503



x2





B0502



x2

B0503



x4

B0504

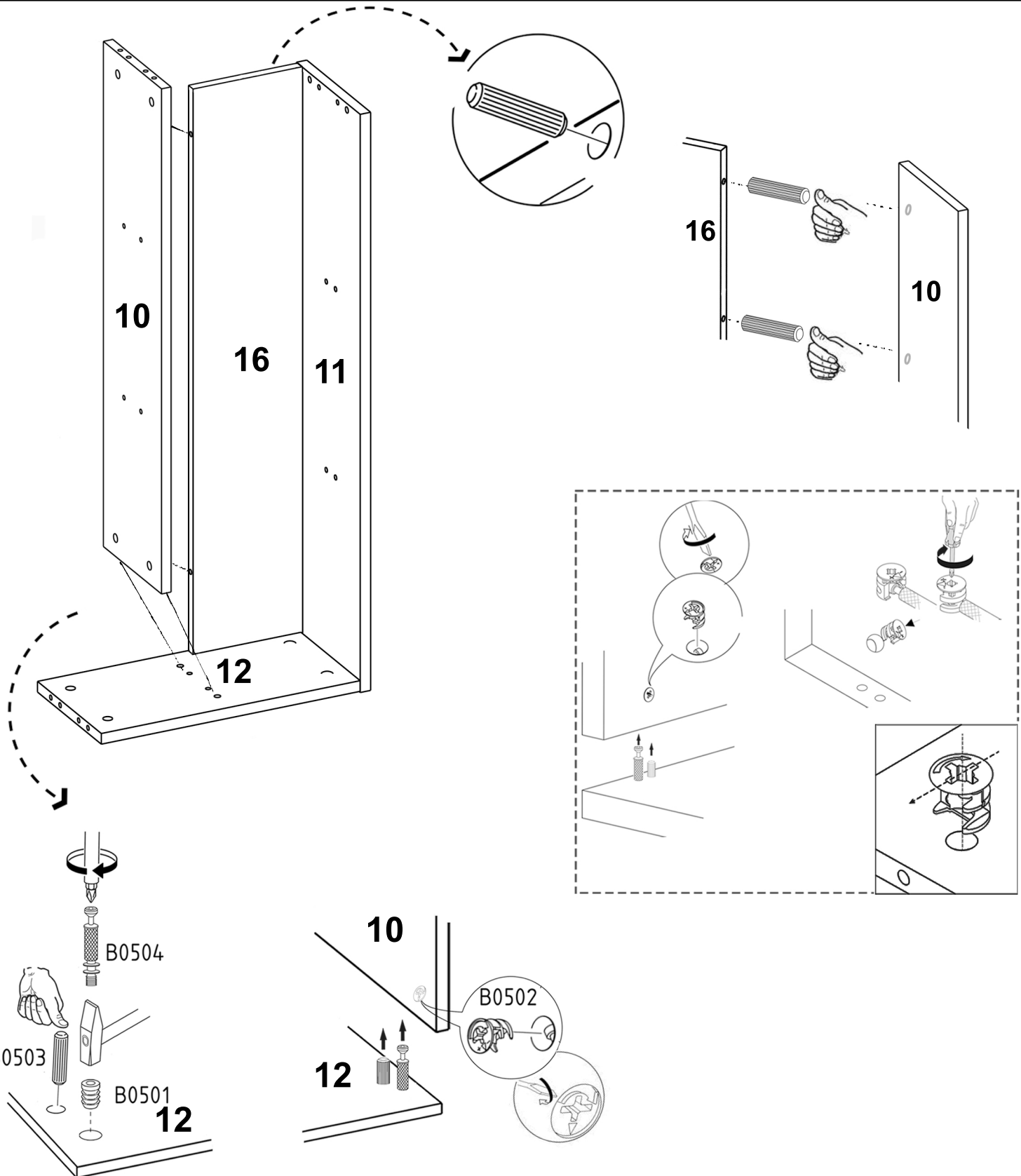
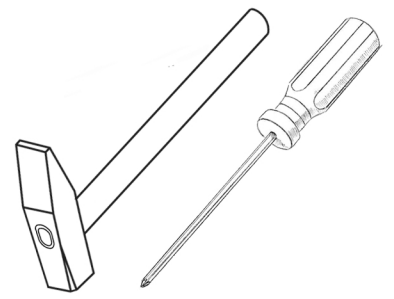


x2

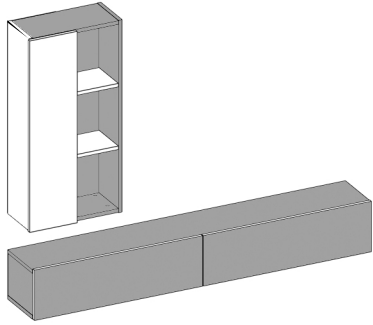
B0501



x2







B0502



x4

B0503



x4

B0504

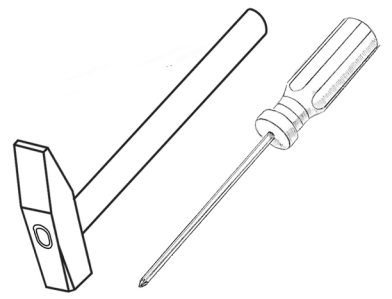


x4

B0501



x4



14

10

14

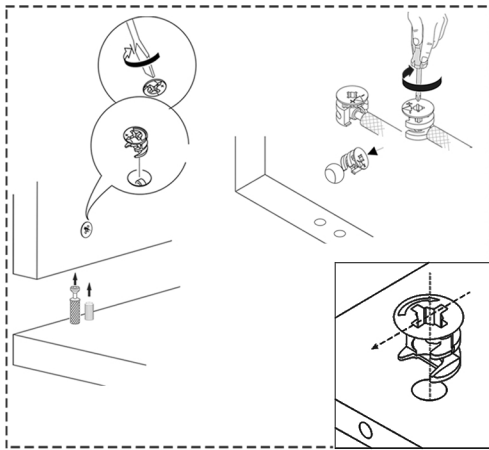
14

16

11

10

12



B0504

B0503

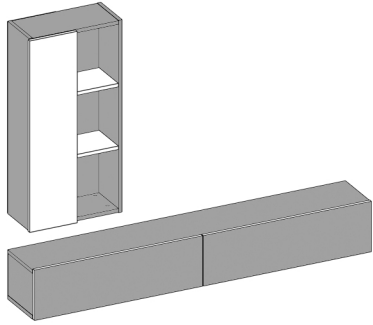
B0501

11

14

11

B0502



B0502



x4

B0503



x4

B0504

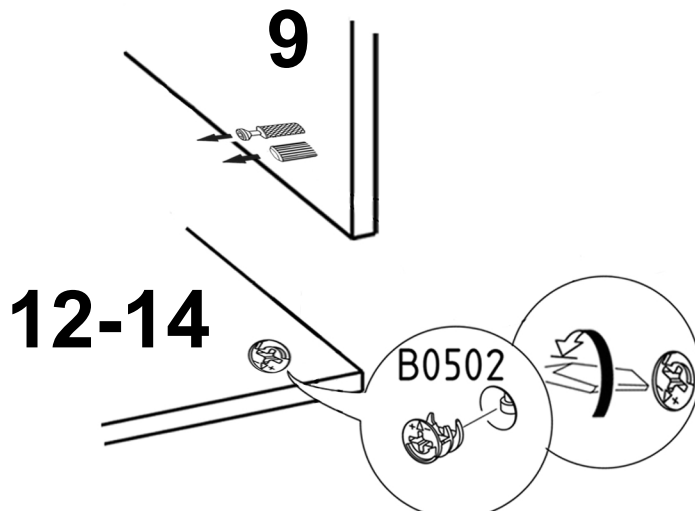
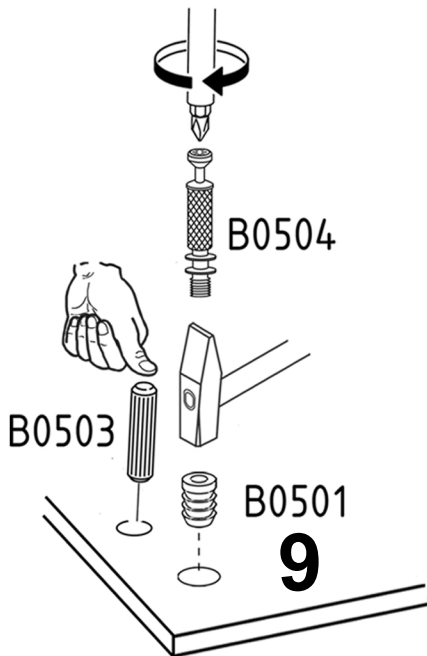
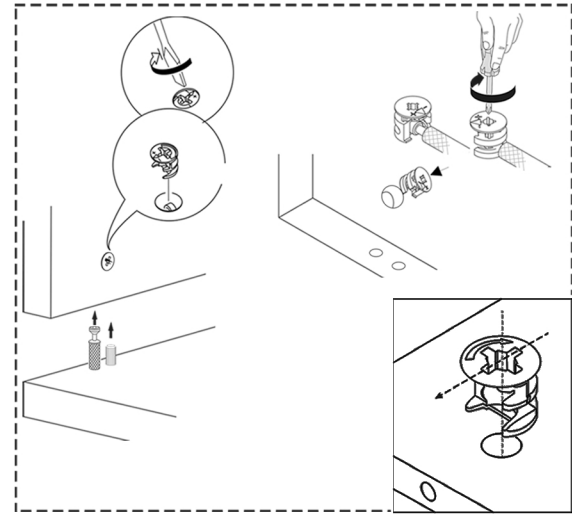
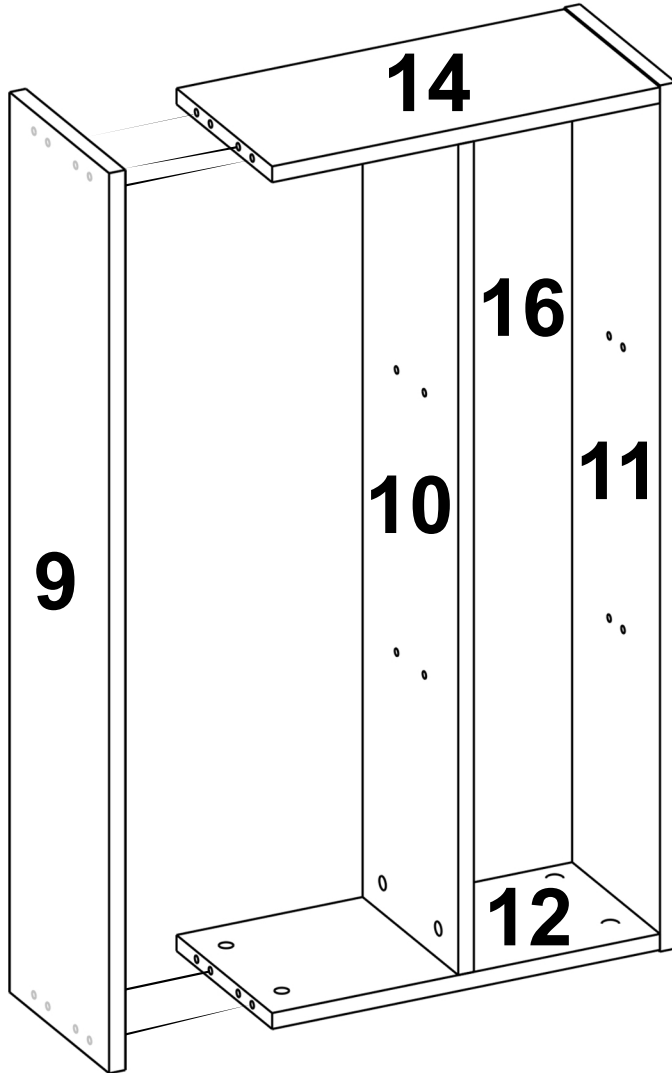
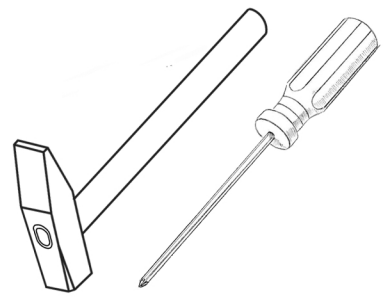


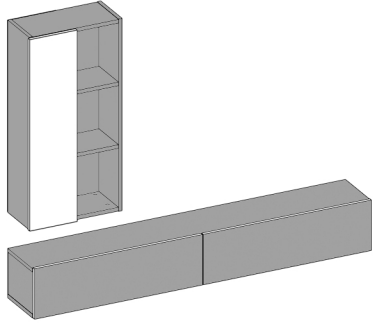
x4

B0501

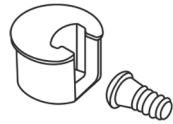


x4





B0507

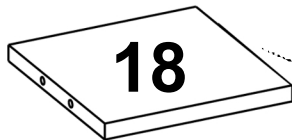
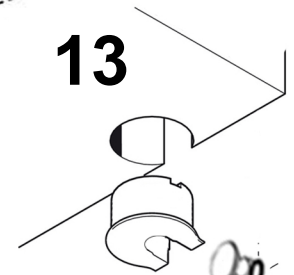
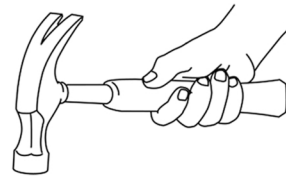
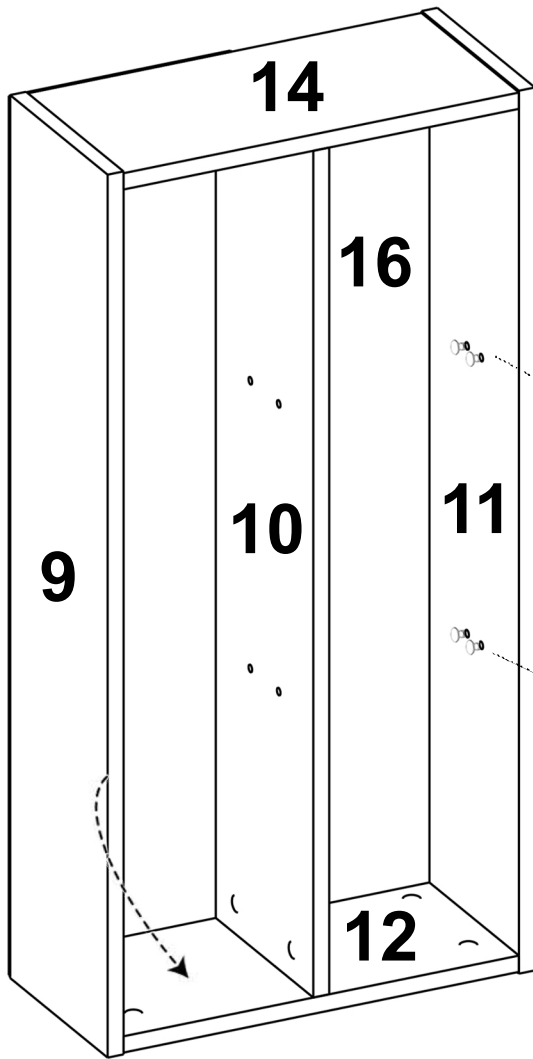
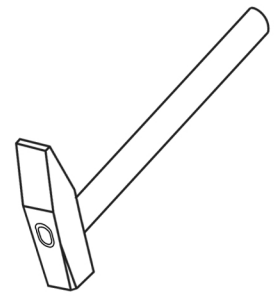


x8

B0509



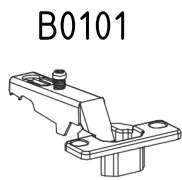
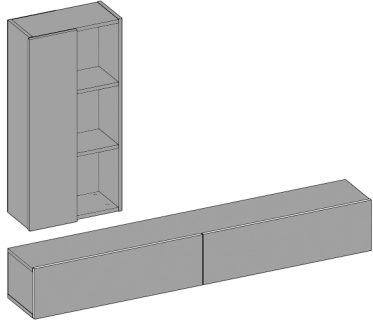
x8



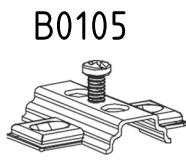
9-10



10-11



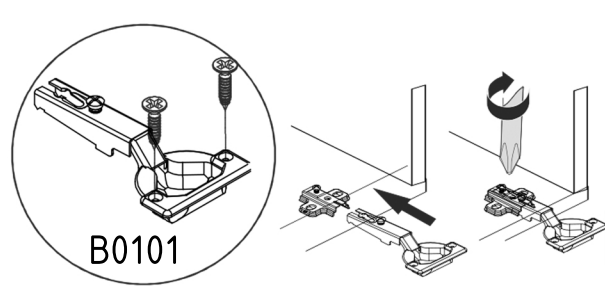
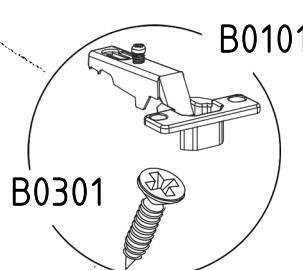
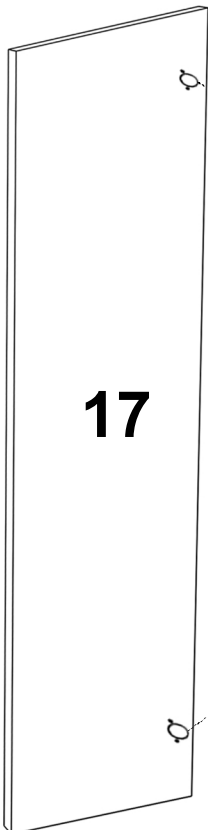
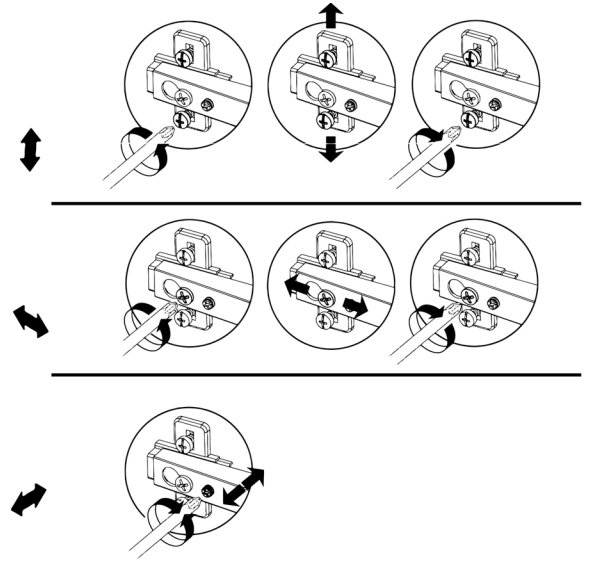
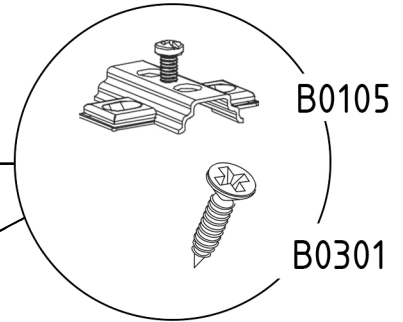
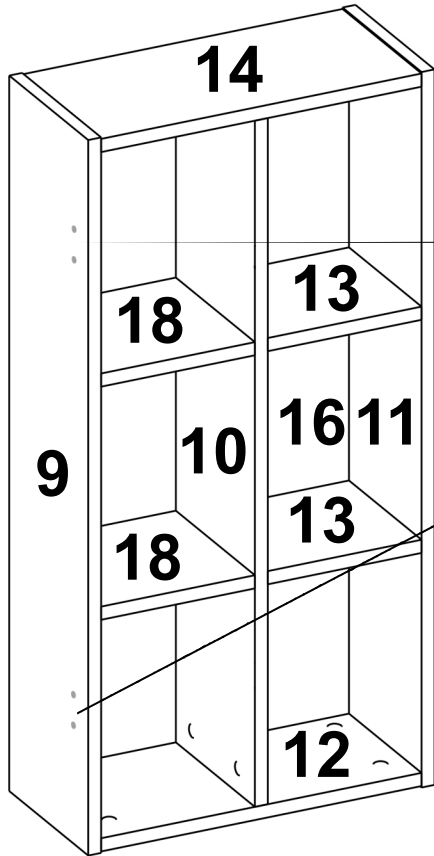
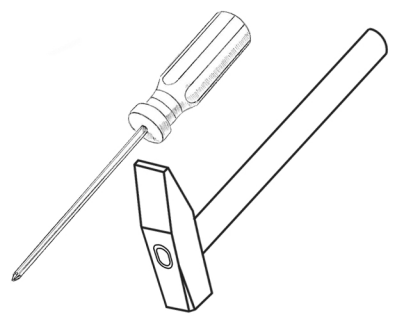
x2

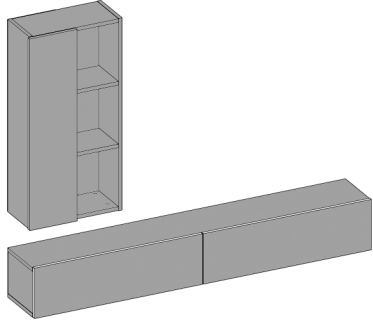




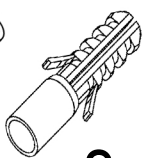
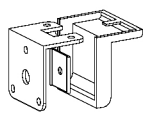

x2



x8





- B0318  
  
x15
- B0306  
  
x8
- B0317  
  
x8
- B1303  
  
x8
- B0301  
  
x16

