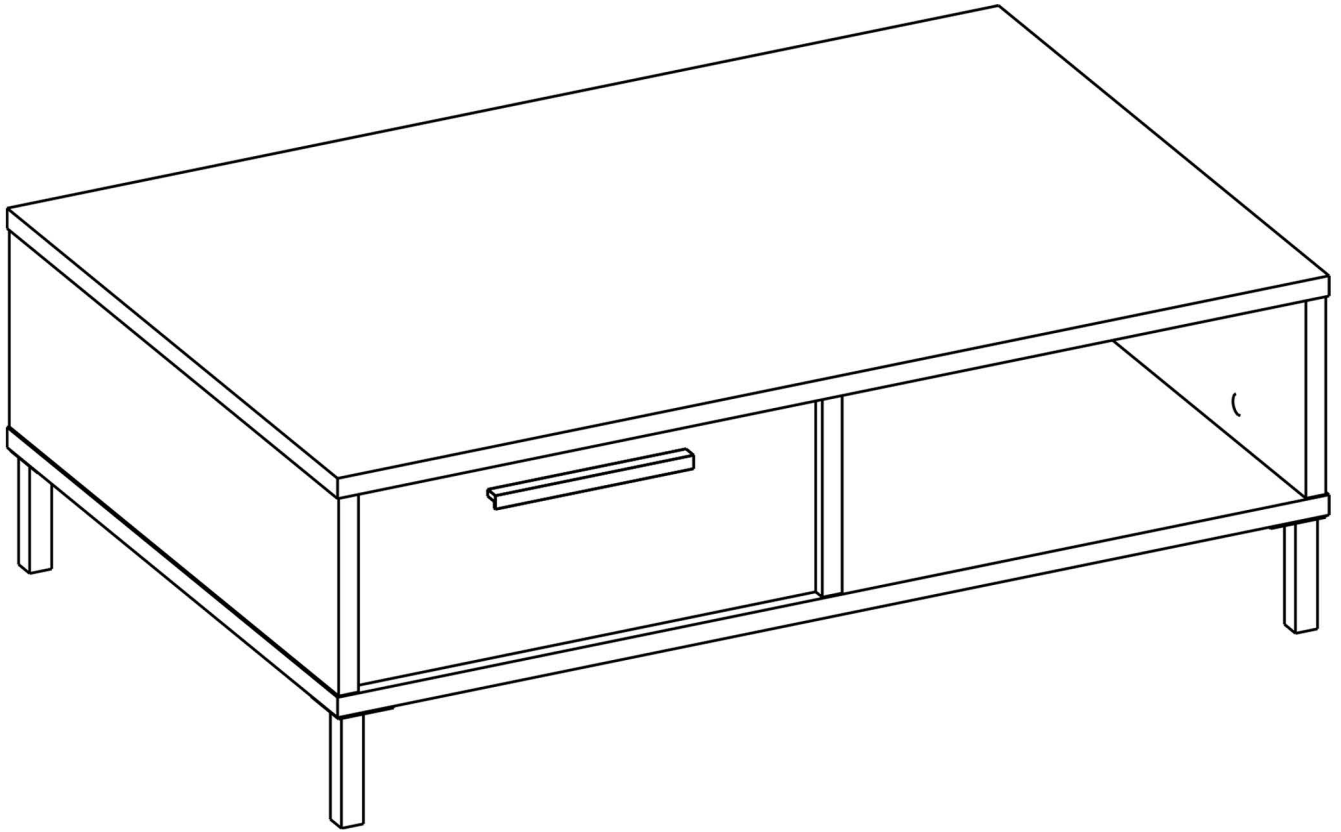


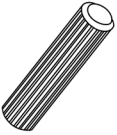
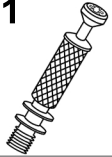

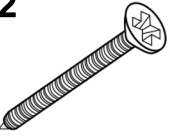


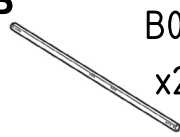

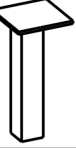
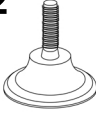


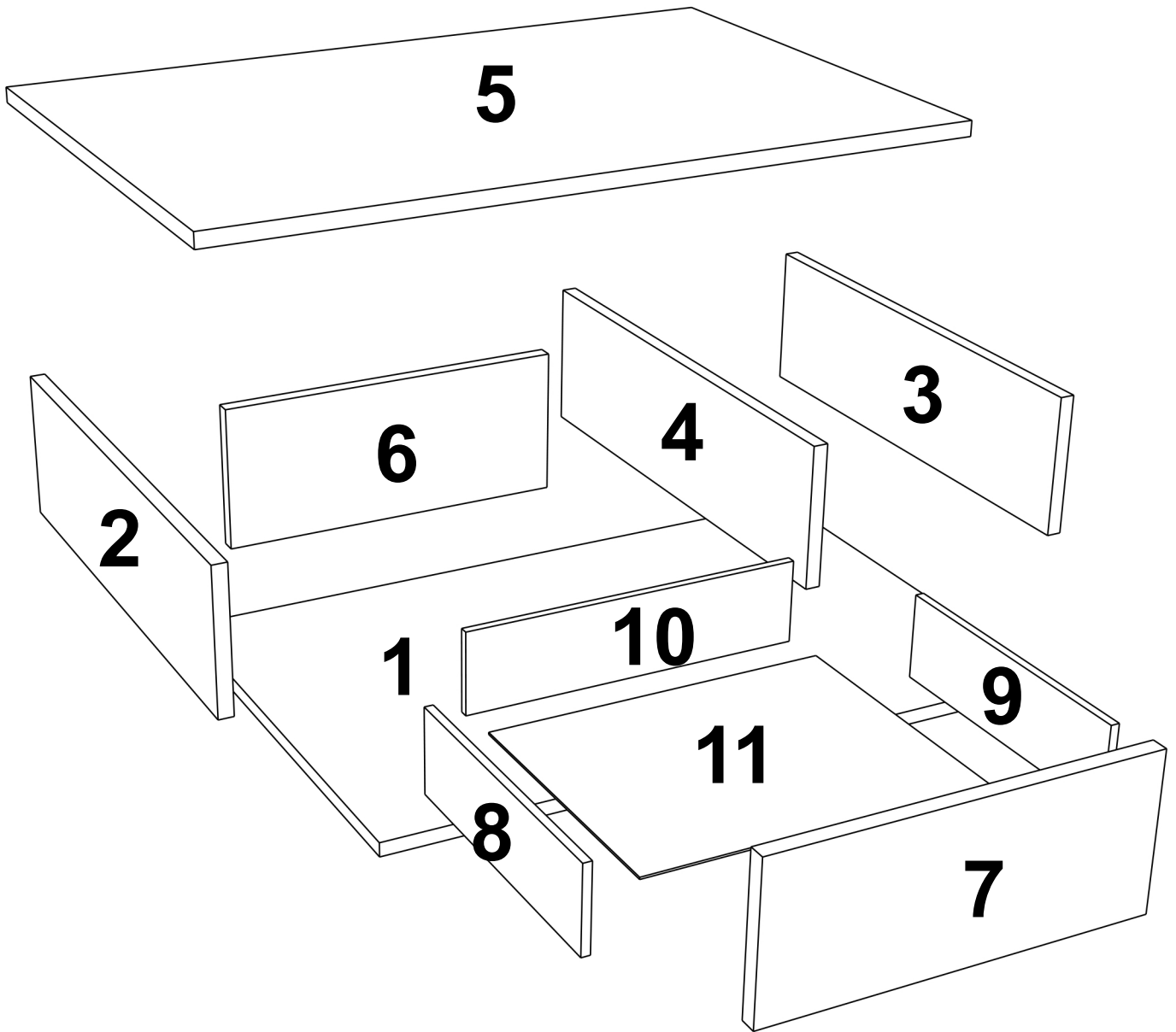
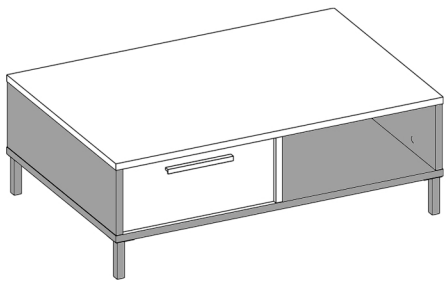


LV18



1  B0501 x16	1  B0502 x16	1  B0503 x16	1  B0504 x16	2  B0301 x18
2  B0304 x4	2  B0511 x4	2  B0510 x4	P  B0905 x2	2  B0328 x2
P  D0154 x4	2  B1702 x4	2  B0307 x2	2  B0201 x1	



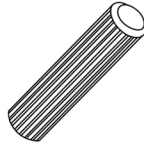


B0502



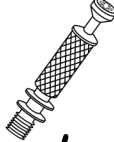
x4

B0503



x4

B0504



x4

B0501

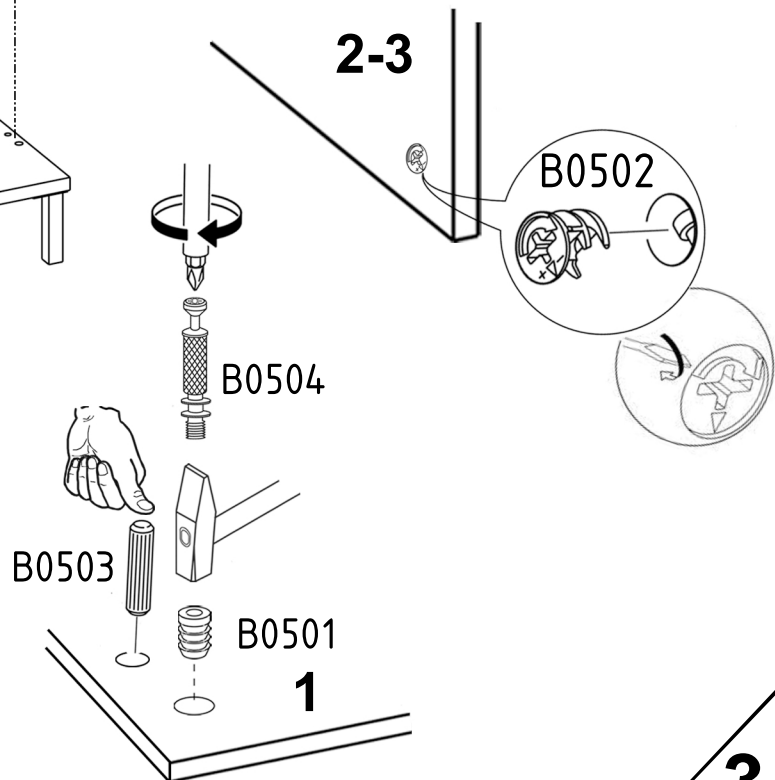
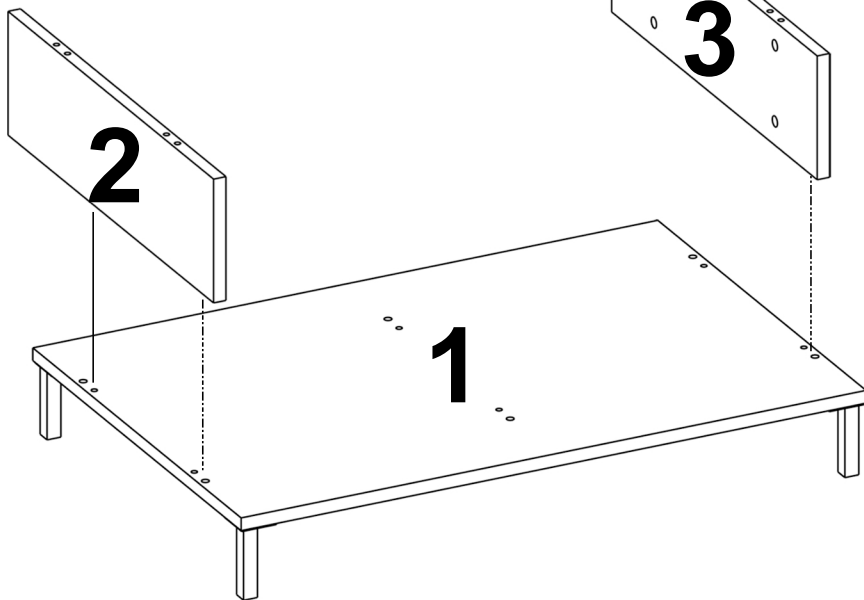
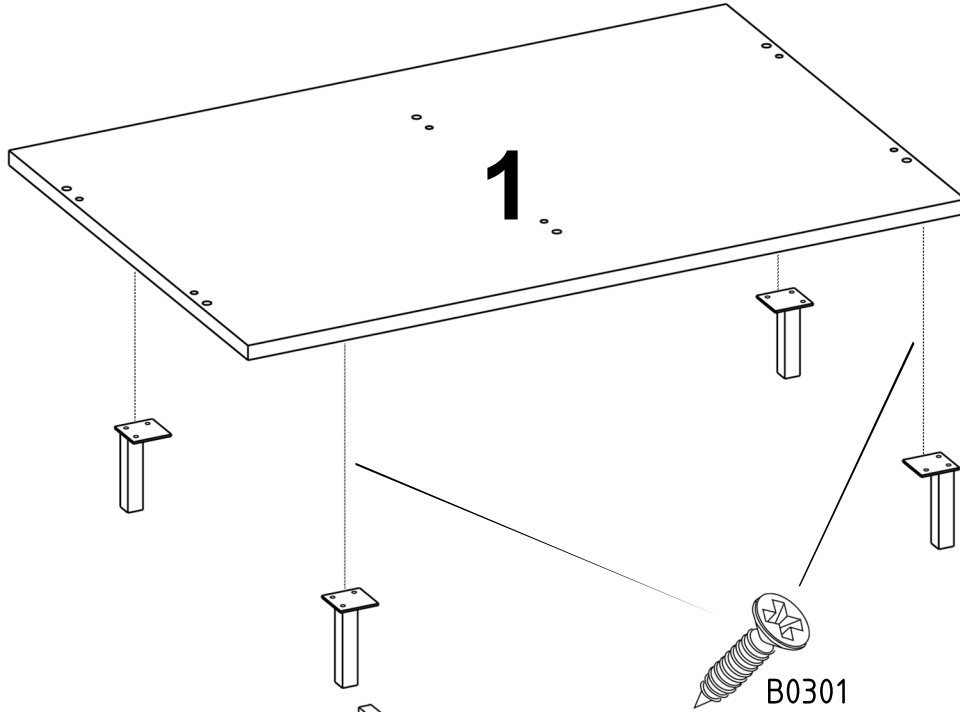
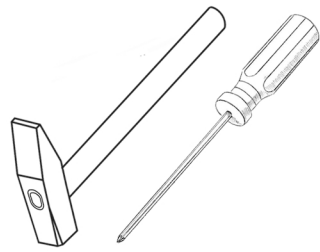


x4

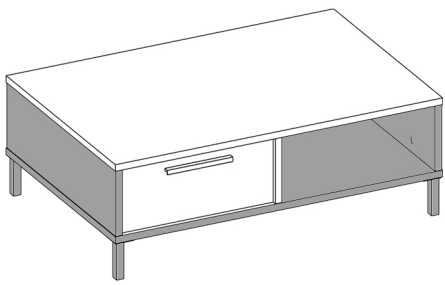
B0301



x12



3

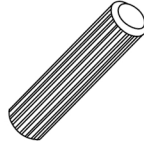


B0502



x2

B0503



x2

B0504

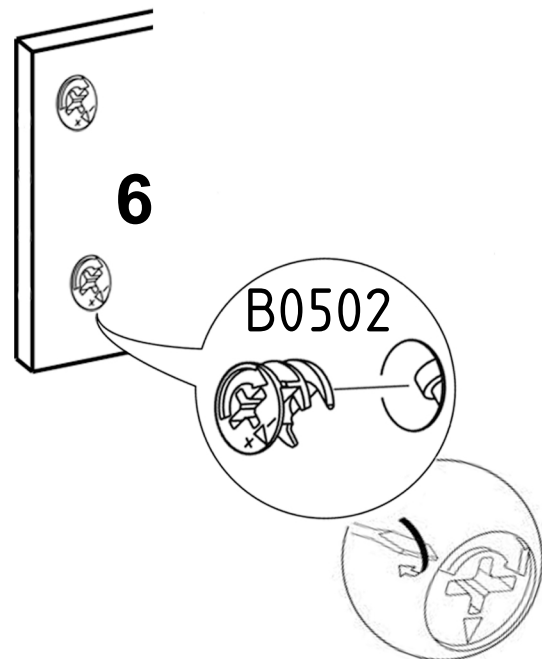
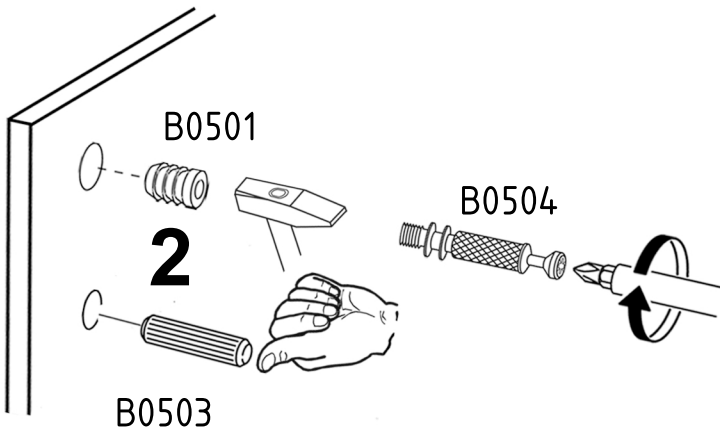
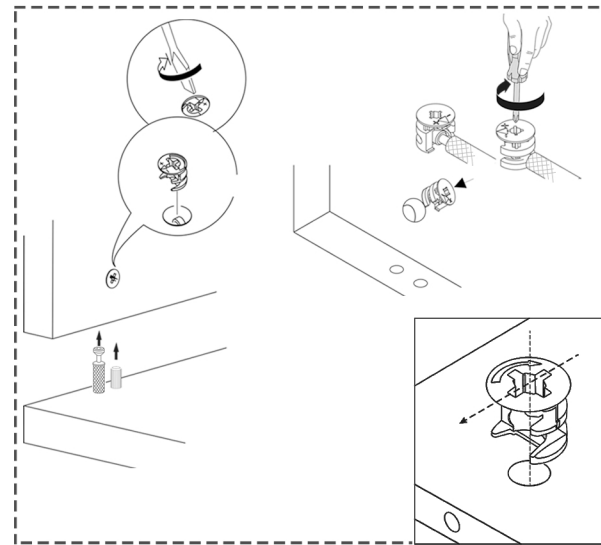
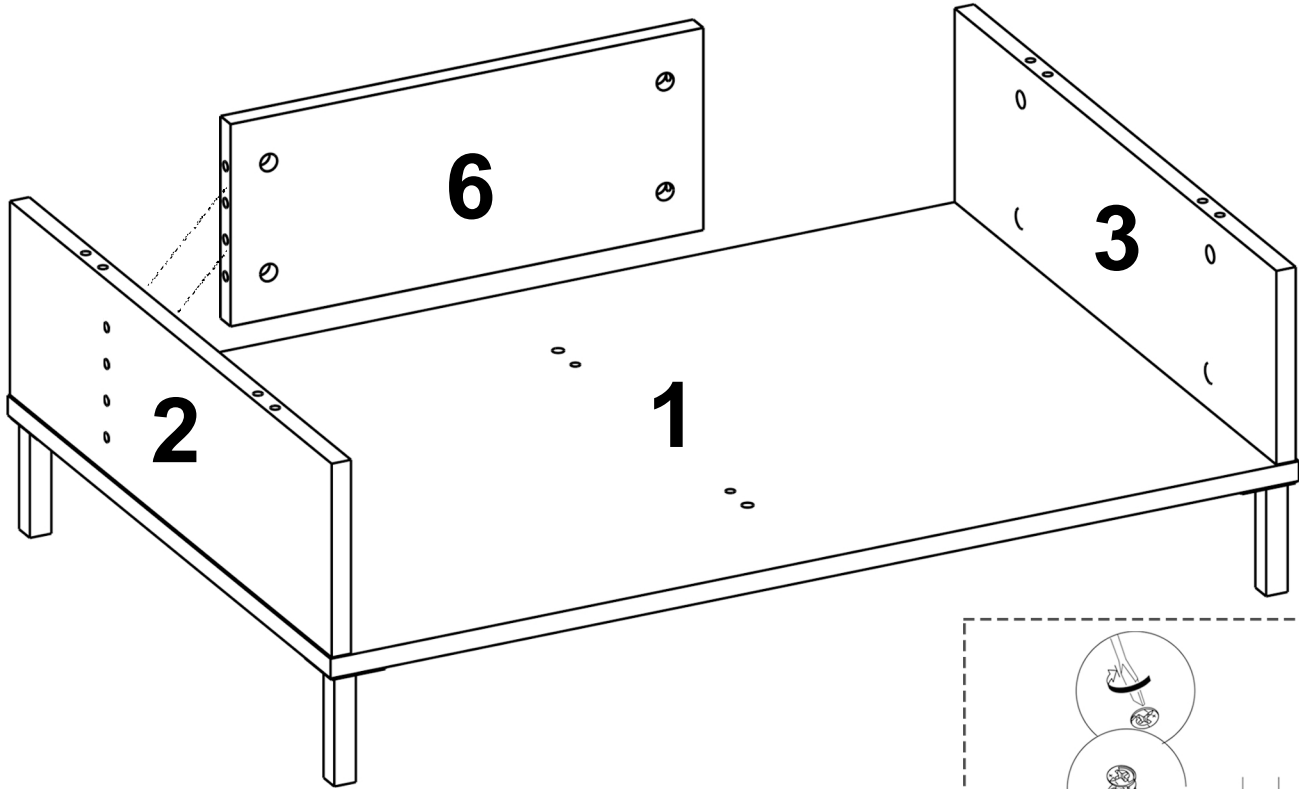
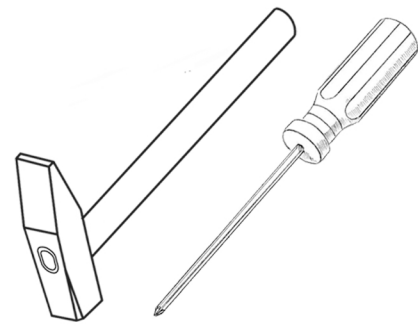


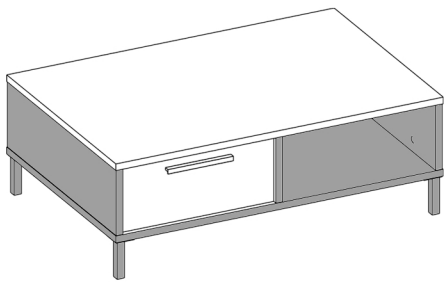
x2

B0501



x2





B0502



x4

B0503



x4

B0504

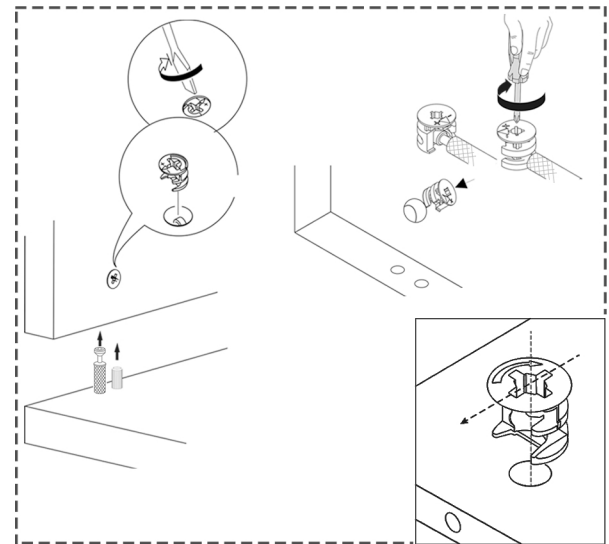
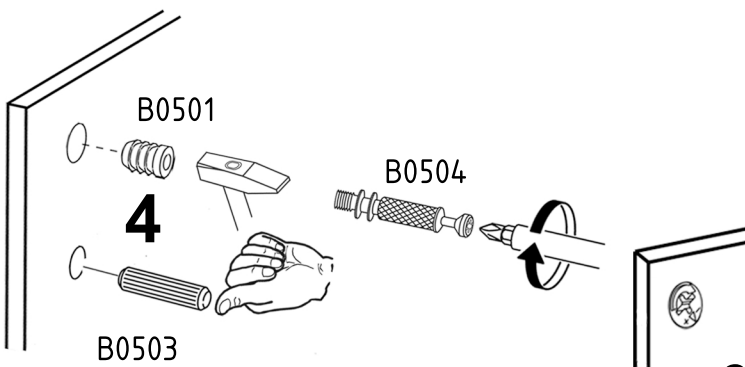
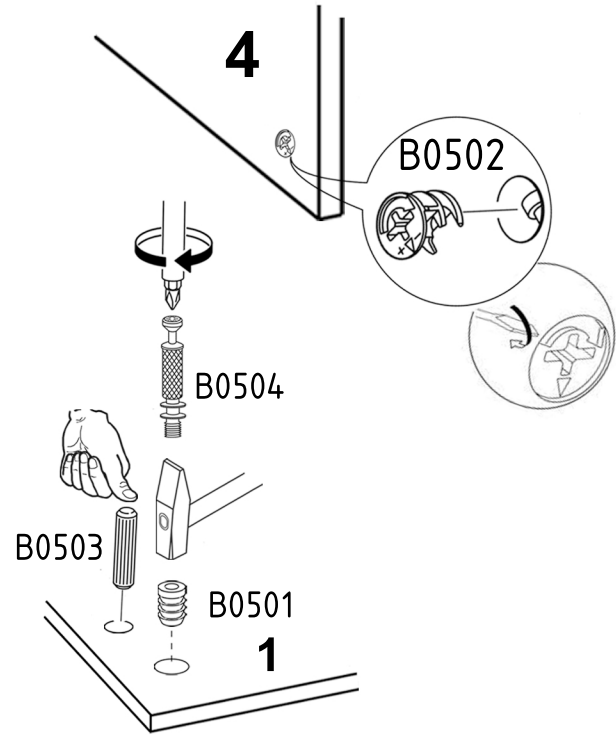
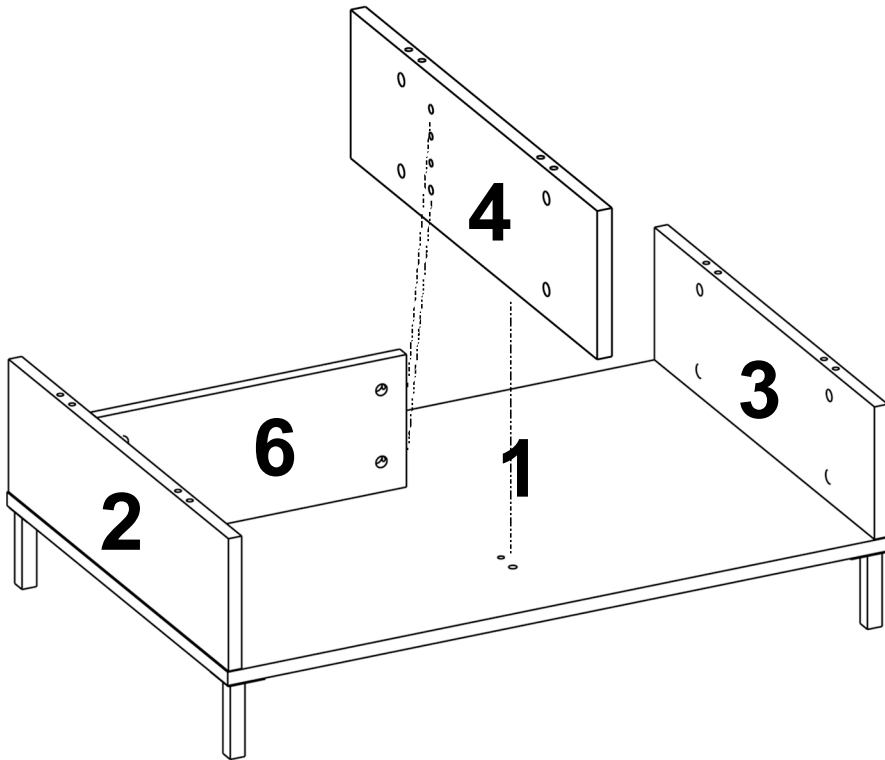
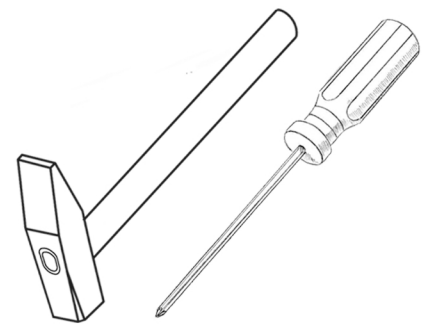


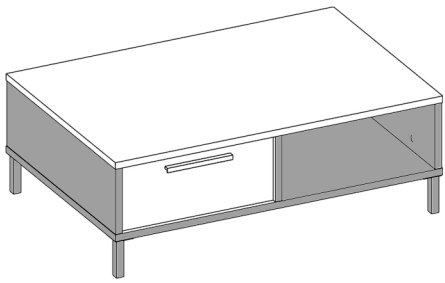
x4

B0501



x4





B0510

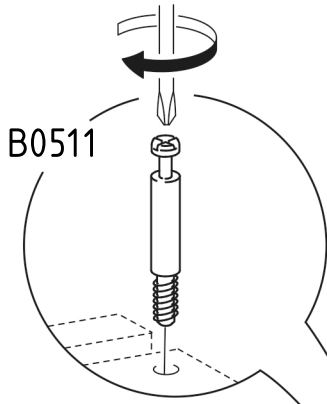
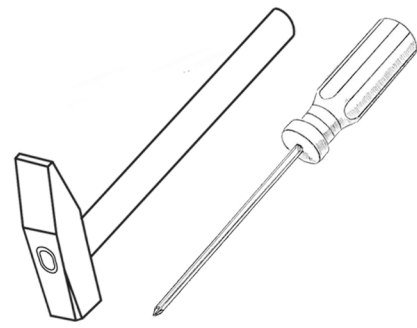


x4

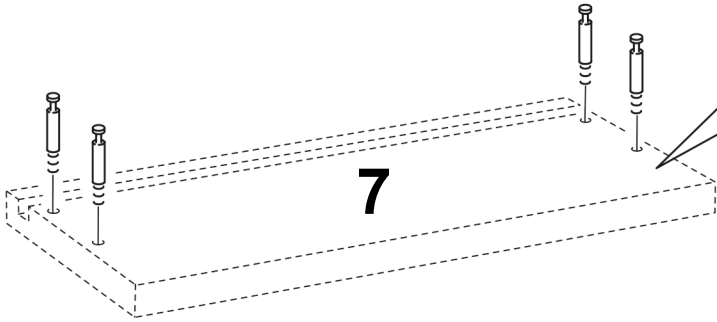
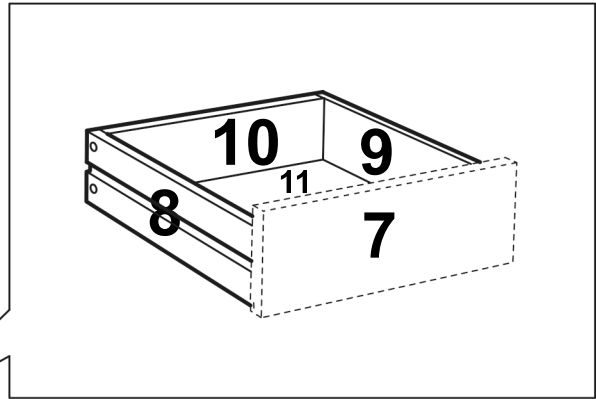
B0511



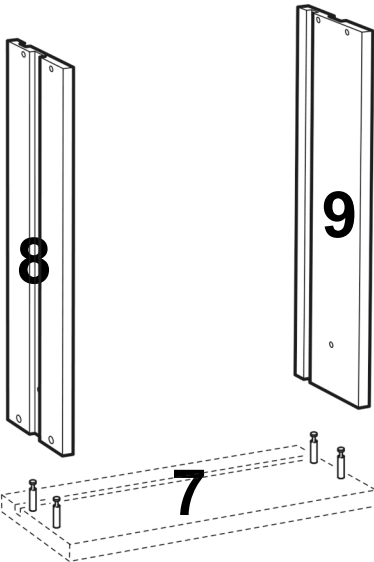
x4



B0511



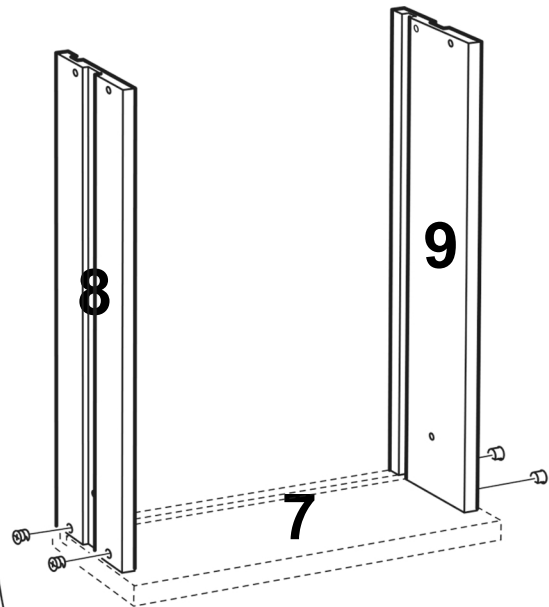
7



8

9

7

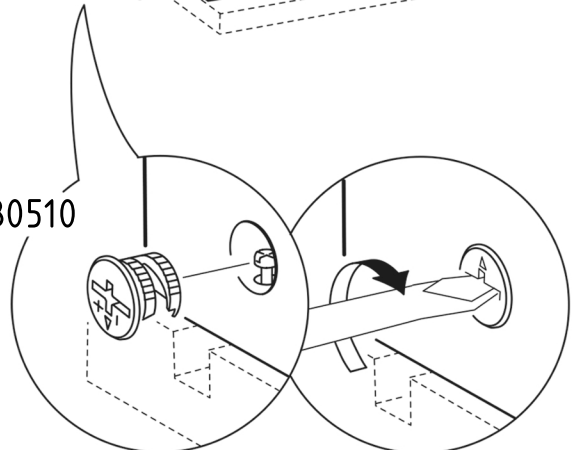


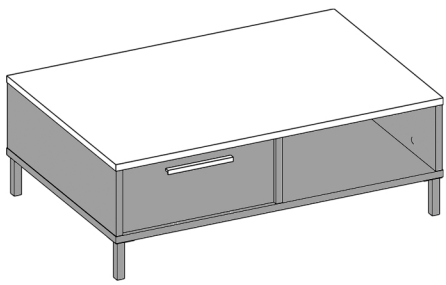
8

9

7

B0510





B0304



x4

B0301

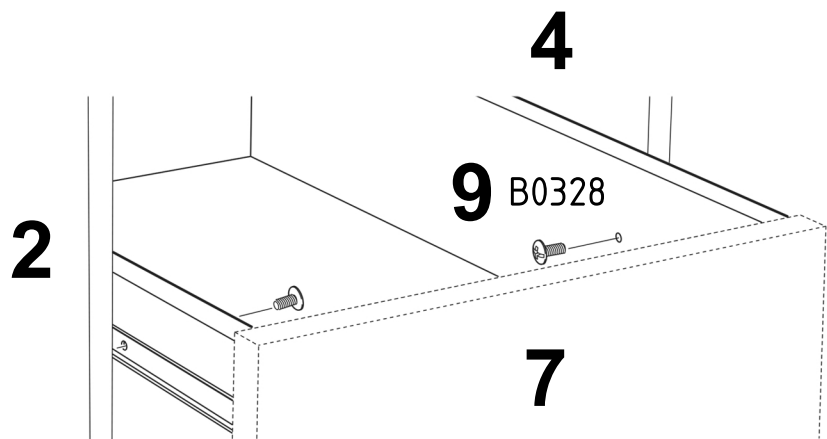
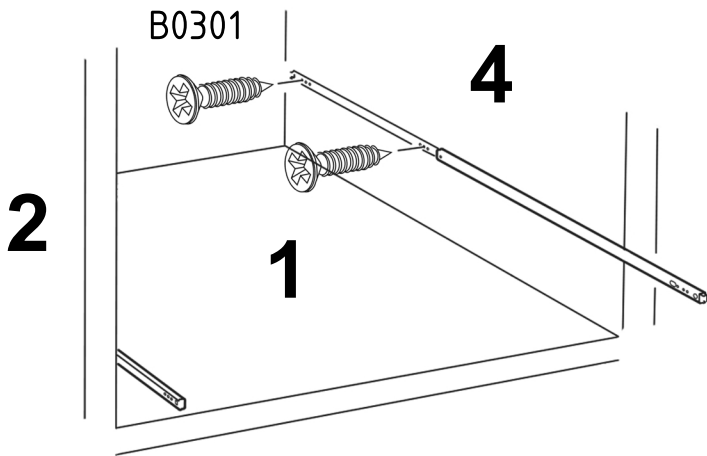
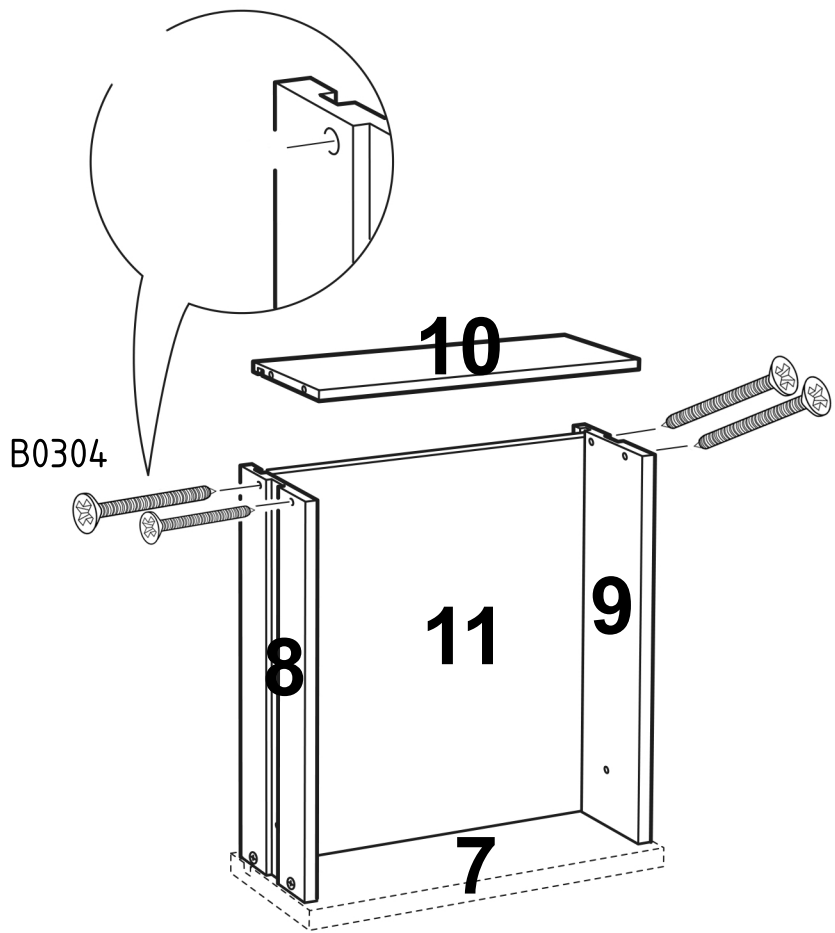
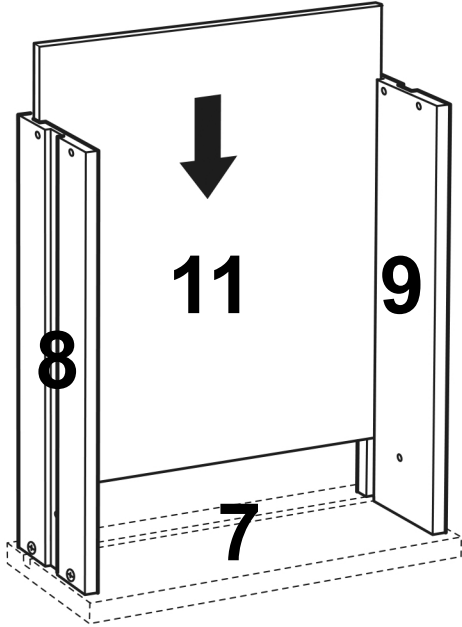
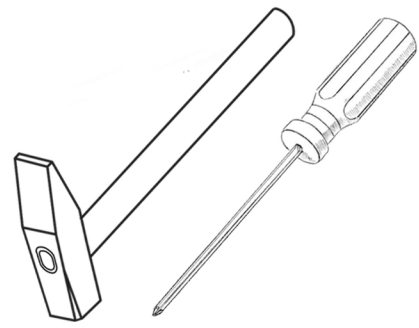


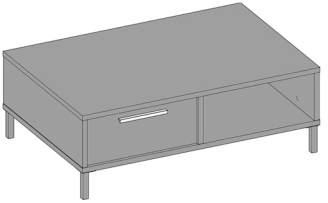
x4

B0328



x2





- B0502

x6
- B0503

x6
- B0504

x6
- B0501

x6
- B0307

x2
- D0154

x1
- B1702

x4

