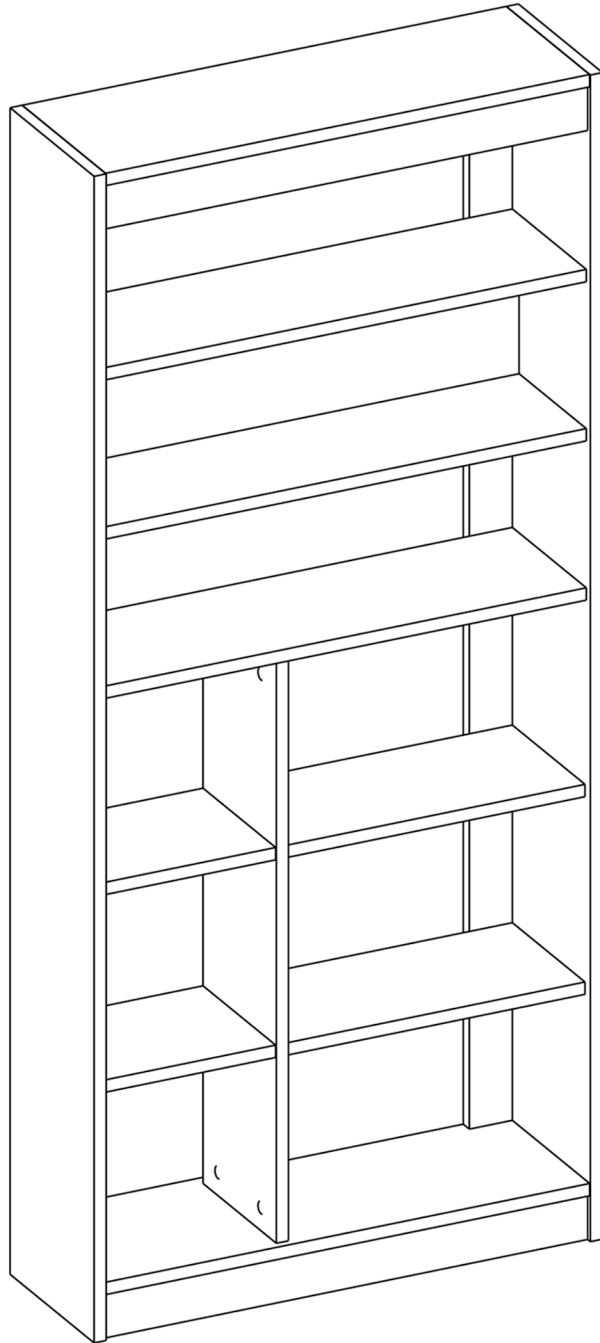


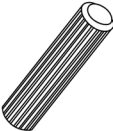


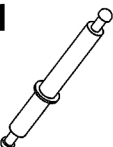
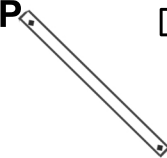

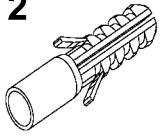
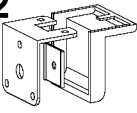

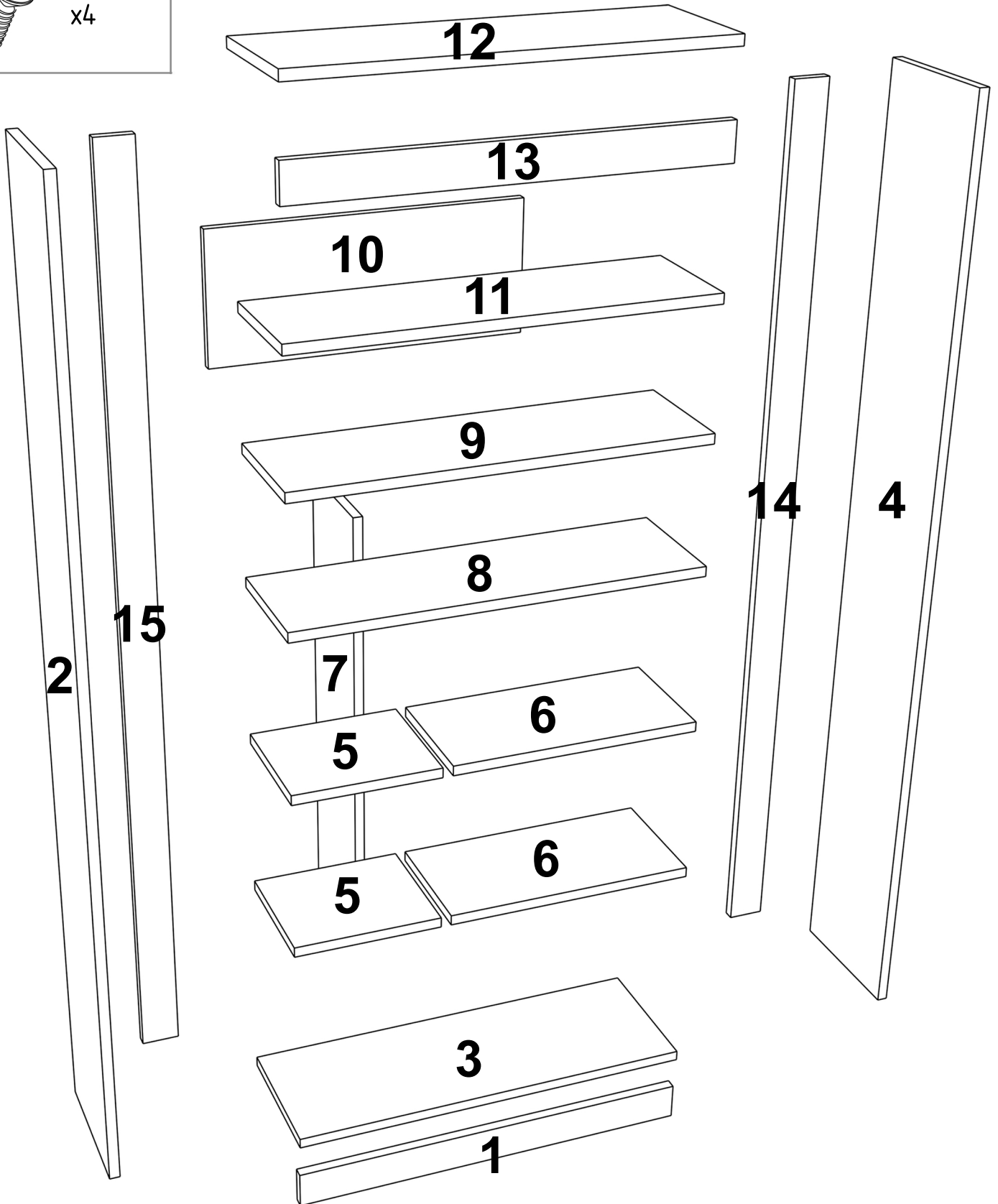
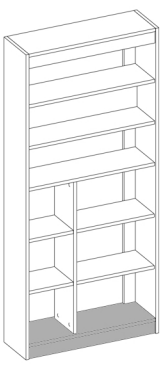


LV19

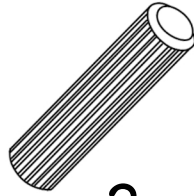


| | | | | |
|---|---|--|---|--|
| 1  B0501 x41 | 1  B0502 x49 | 1  B0503 x61 | 1  B0504 x41 | 2  B0305 x4 |
| 1  B0506 x4 | P  D0116 x2 | 2  B0306 x2 | 2  B0317 x2 | 2  B1303 x2 |
| 2  B0301 x4 | | | | |

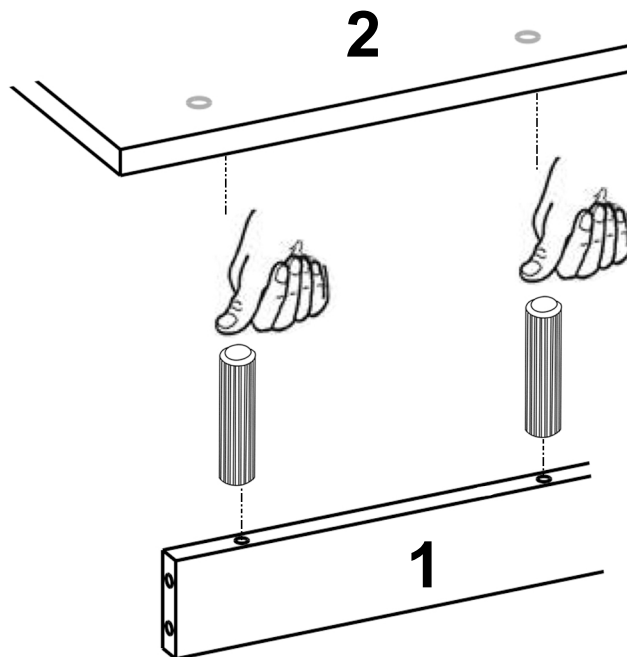
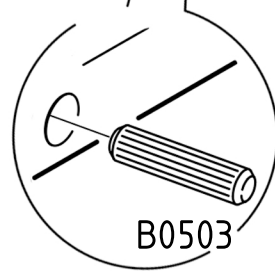
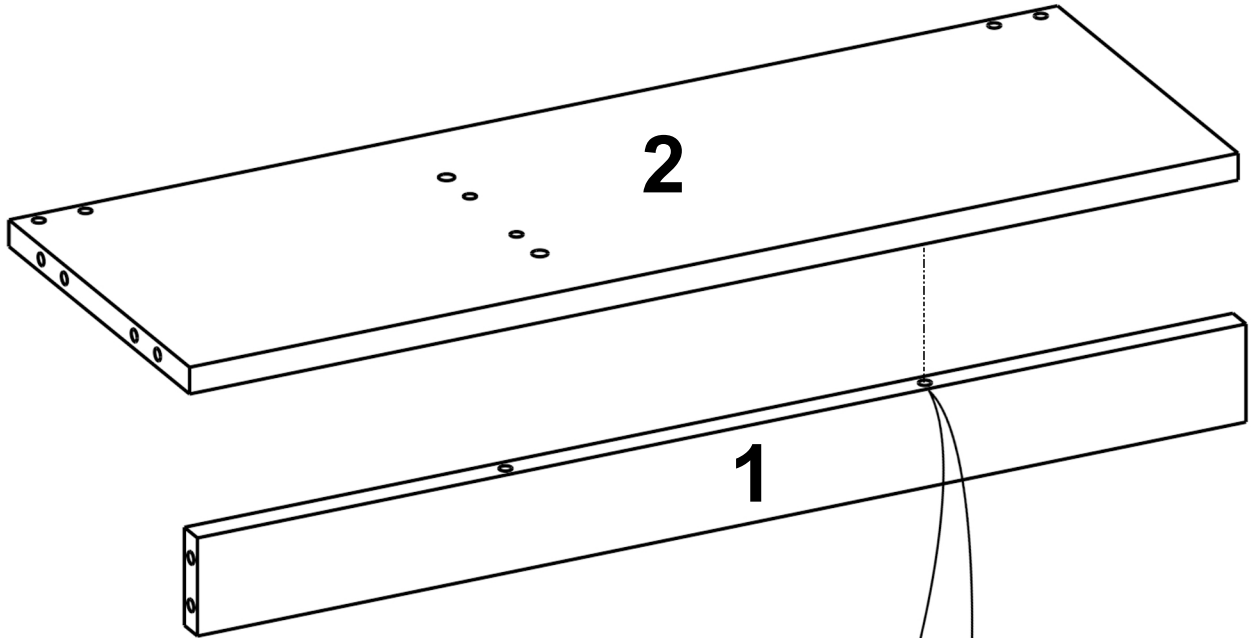
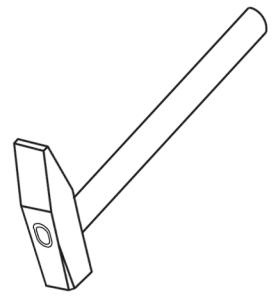


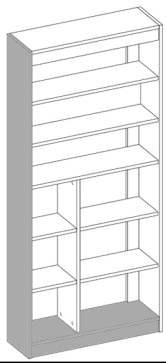


B0503



x2



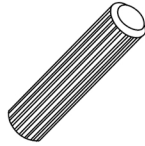


B0502



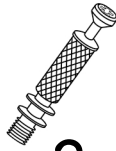
x2

B0503



x4

B0504

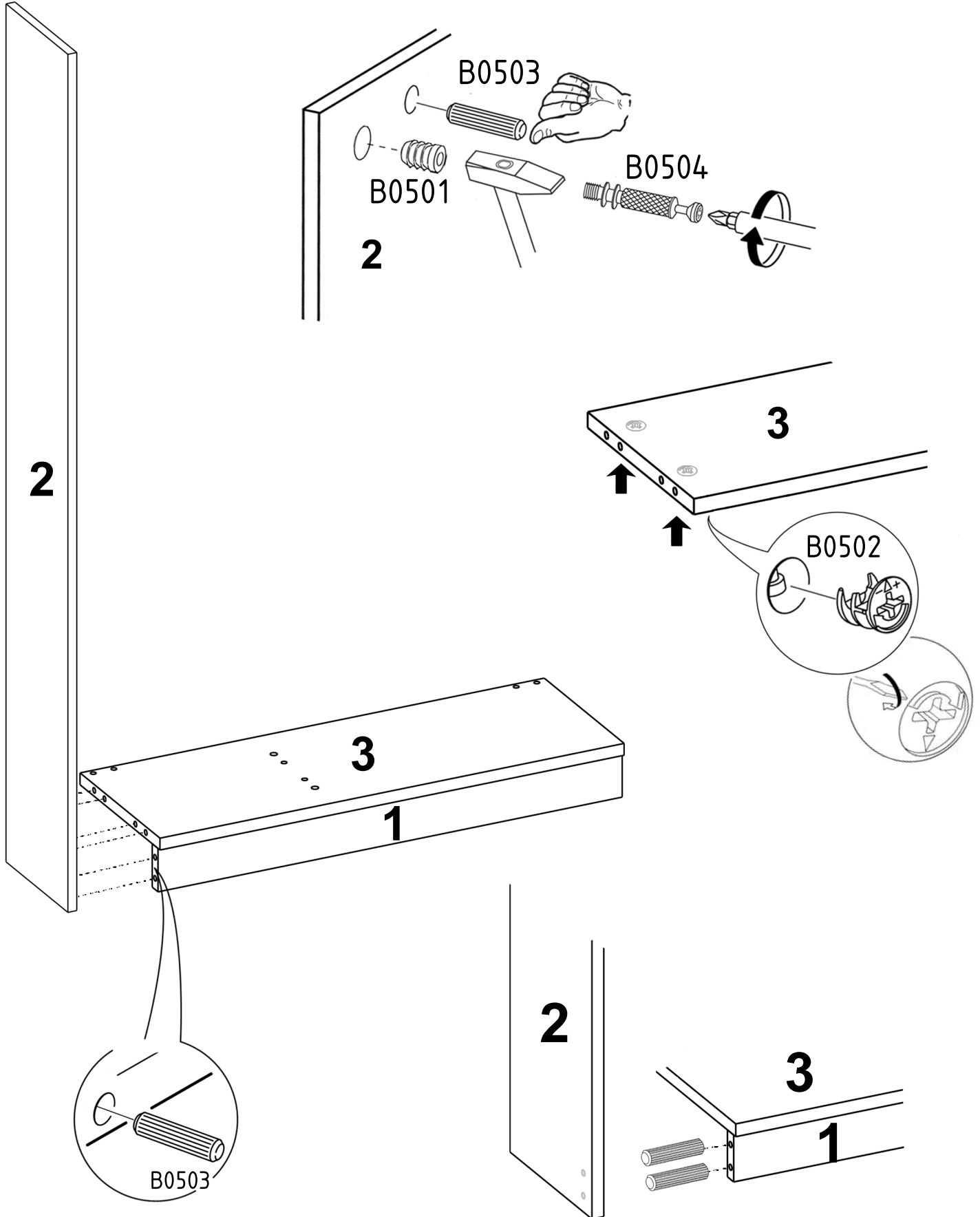
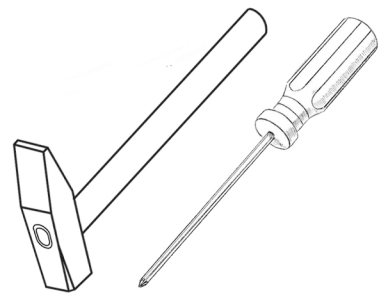


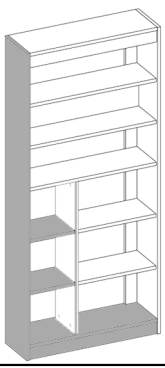
x2

B0501



x2



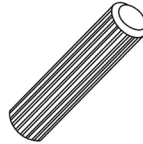


B0502



x4

B0503



x4

B0504

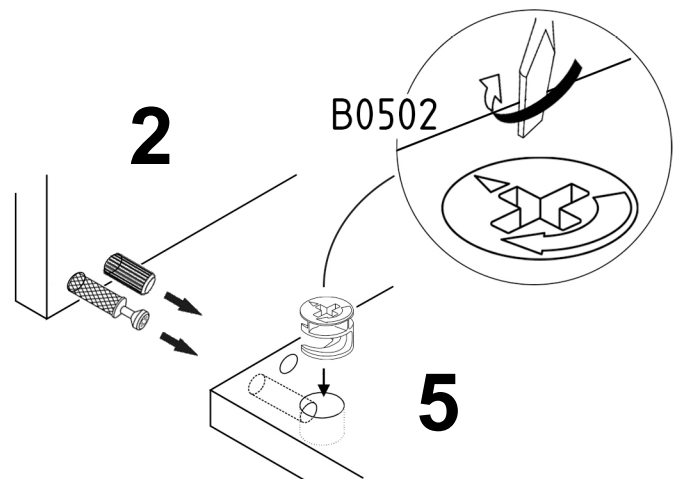
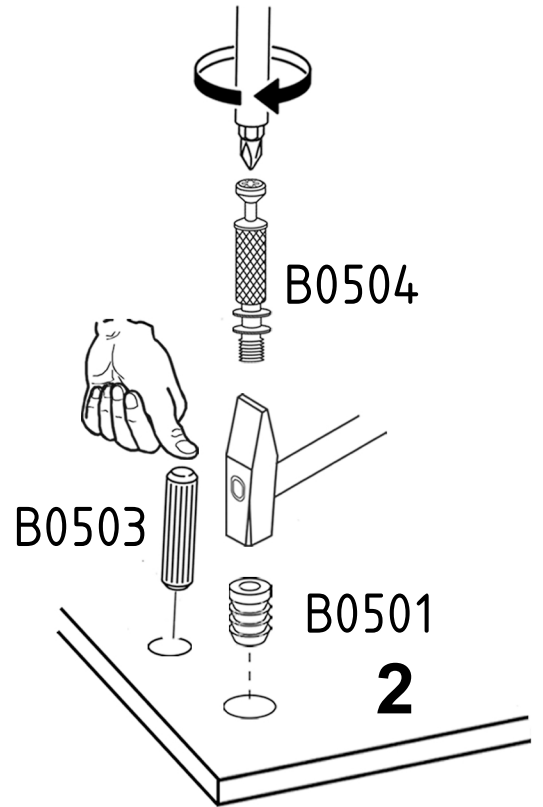
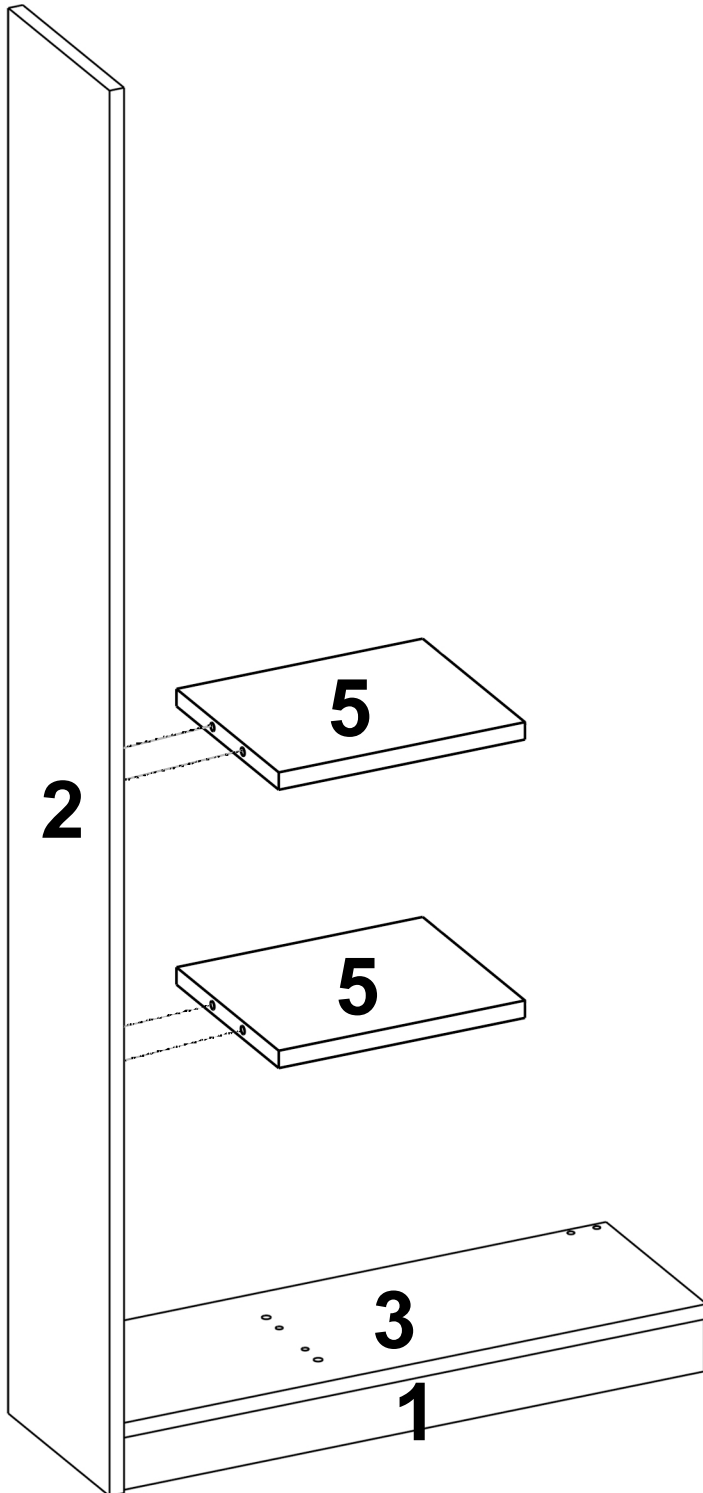
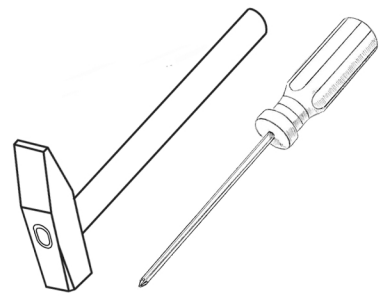


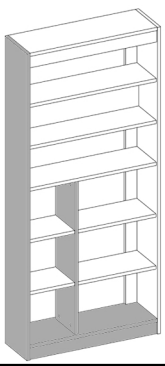
x4

B0501



x4



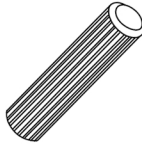


B0502



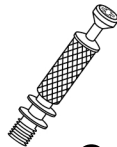
x6

B0503



x2

B0504



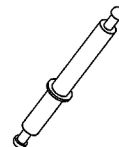
x2

B0501

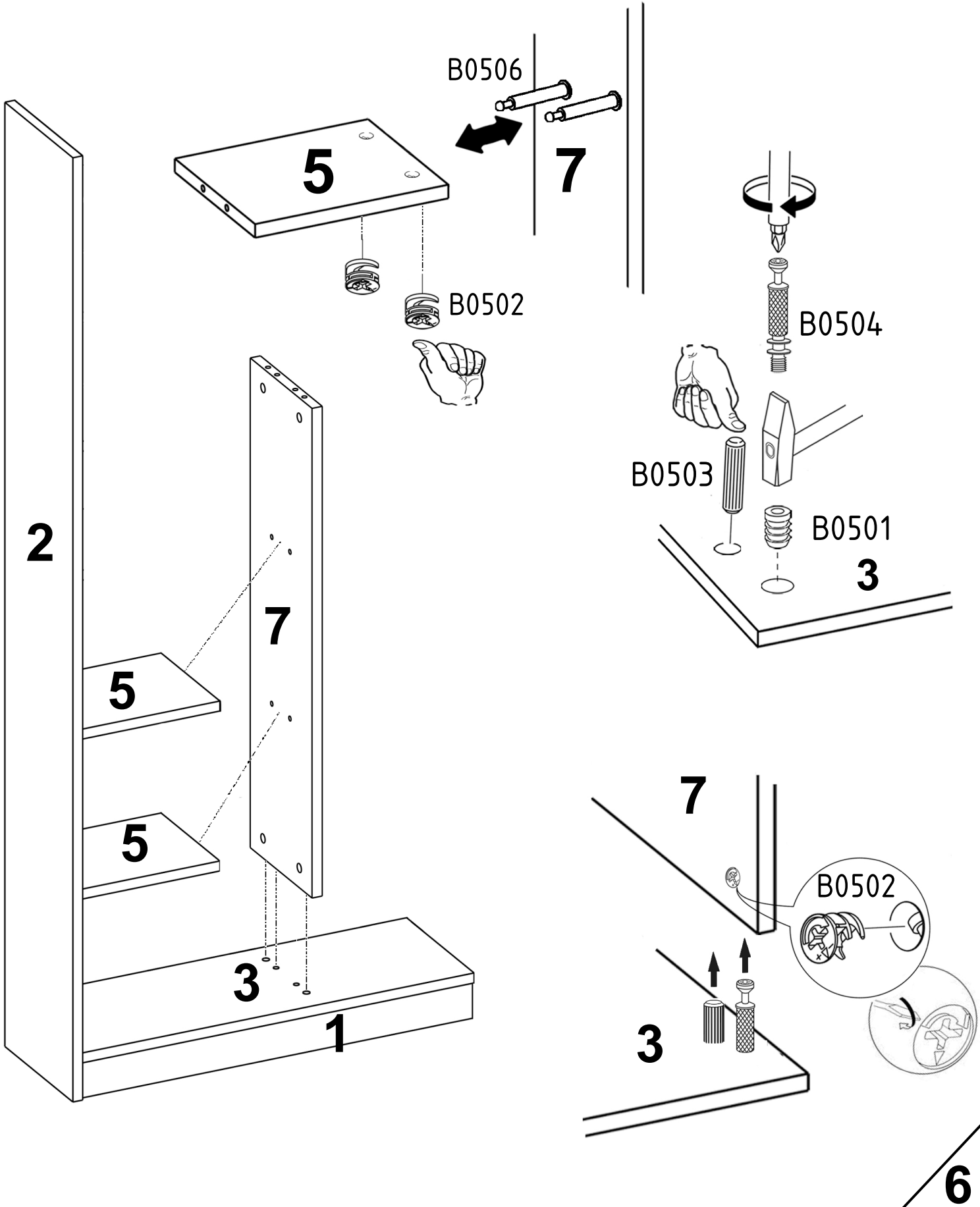
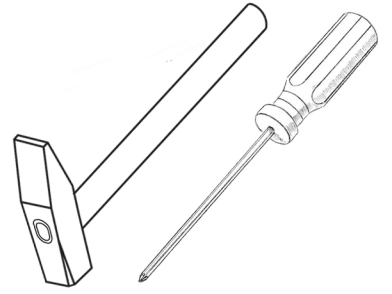


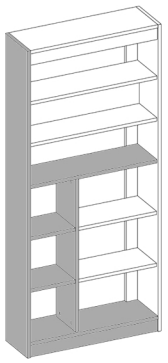
x2

B0506



x4



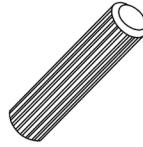


B0502



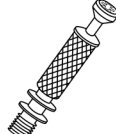
x4

B0503



x4

B0504

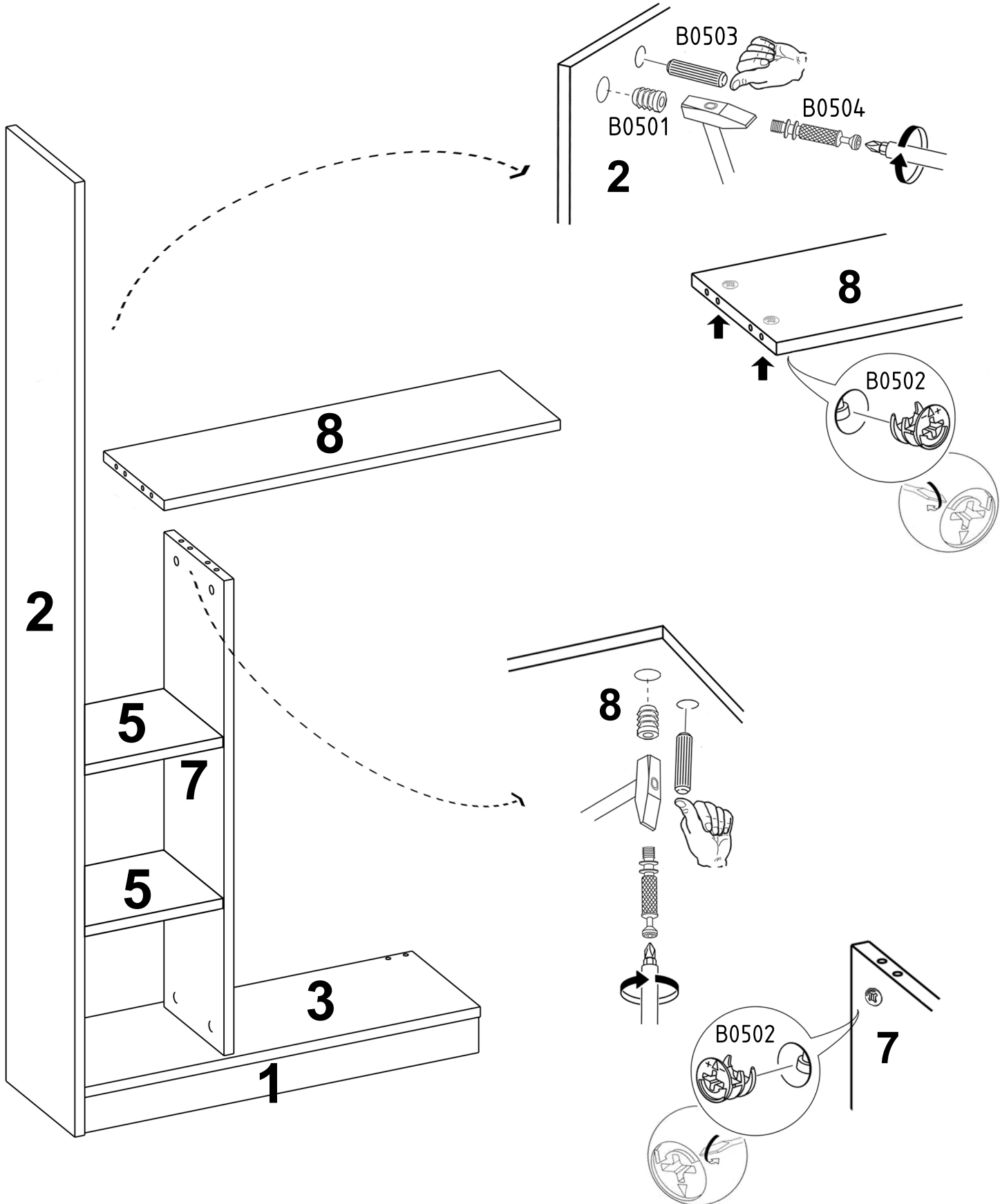
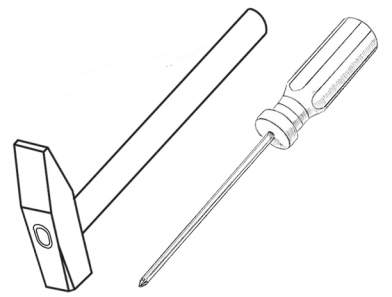


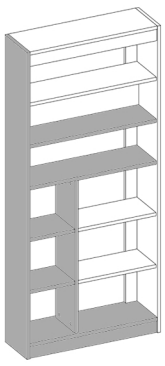
x4

B0501



x4



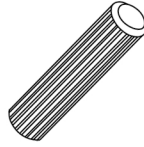


B0502



x2

B0503



x2

B0504

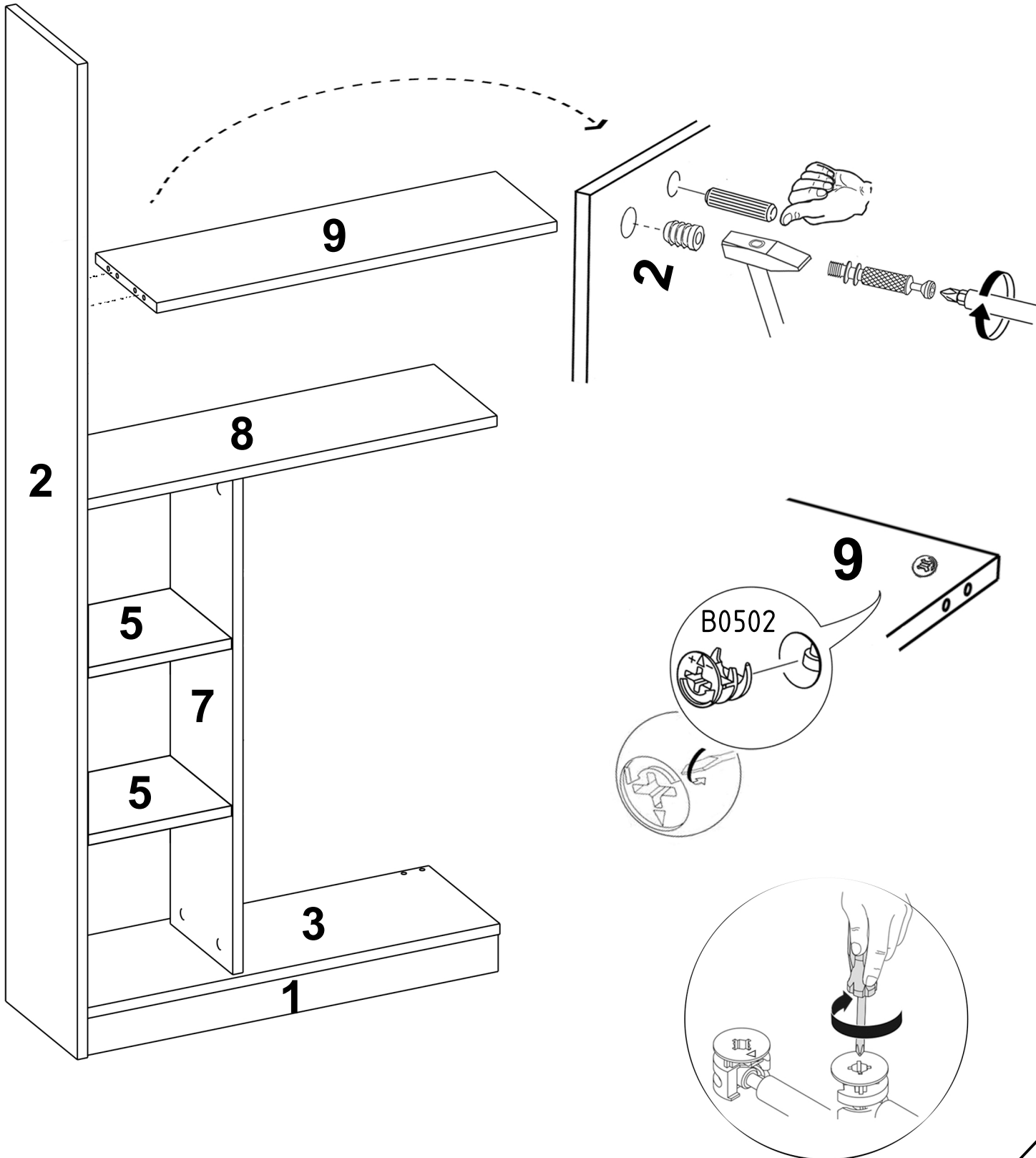
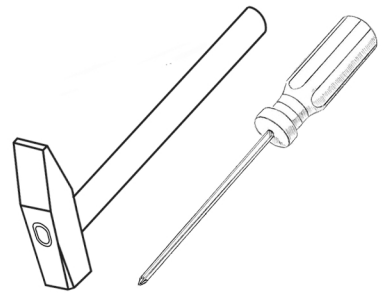


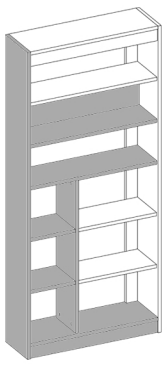
x2

B0501

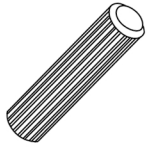


x2

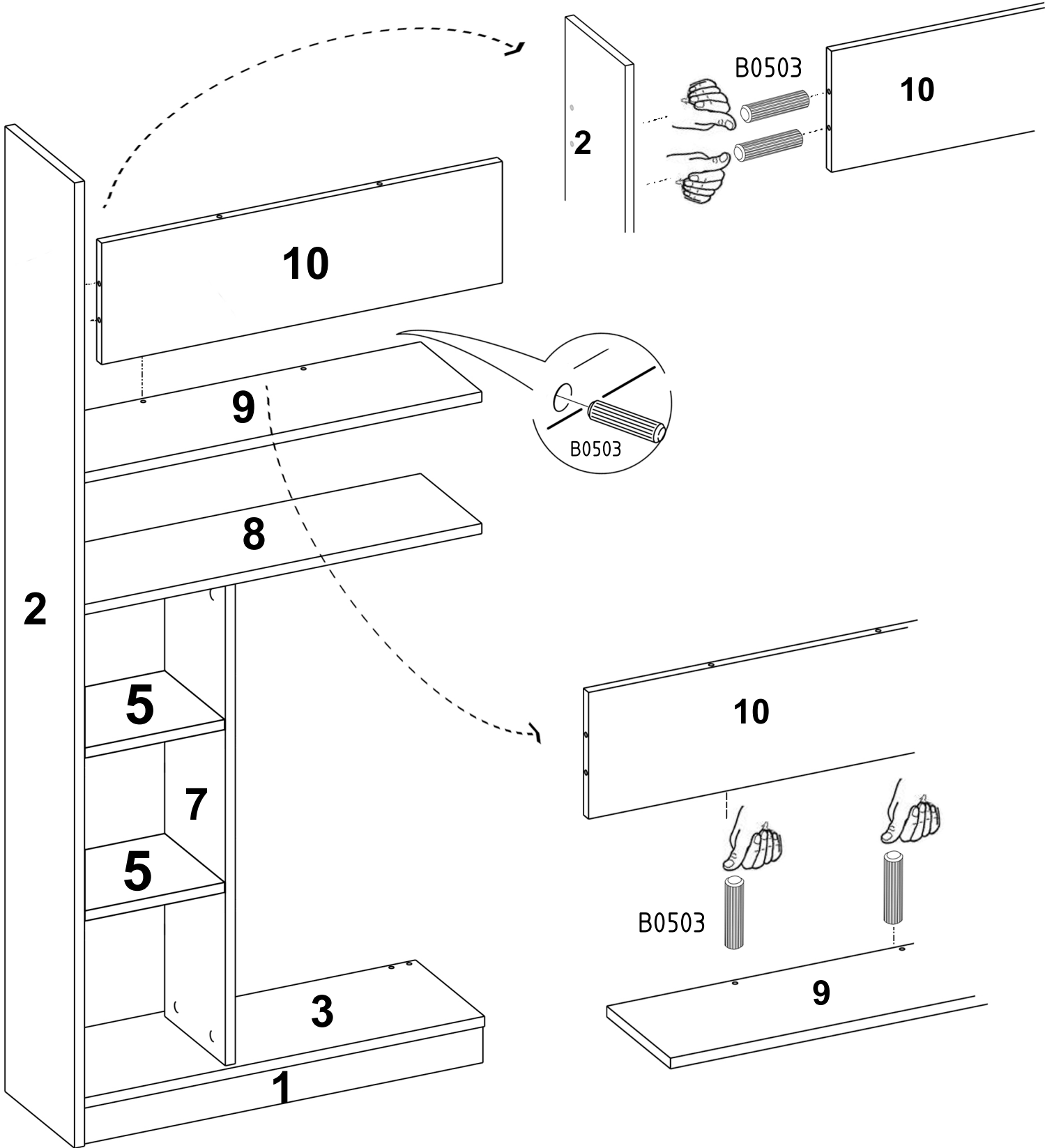
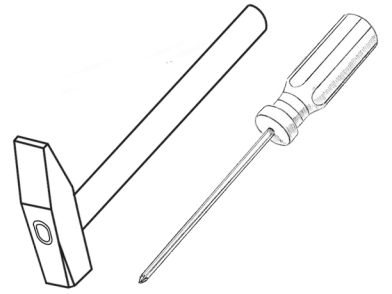


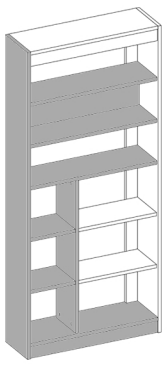


B0503



X4



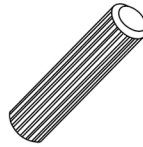


B0502



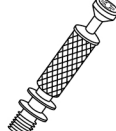
x2

B0503



x4

B0504

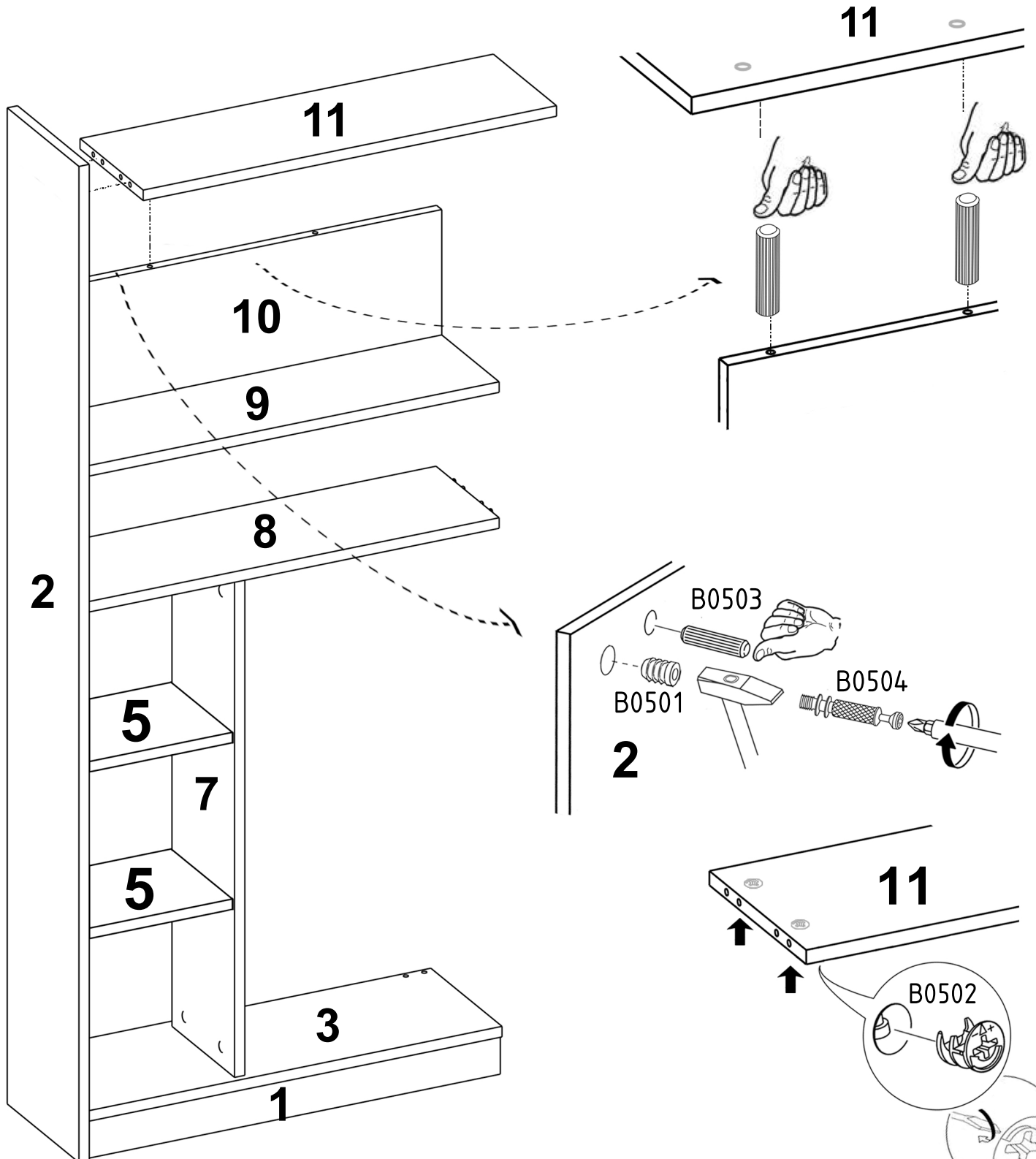
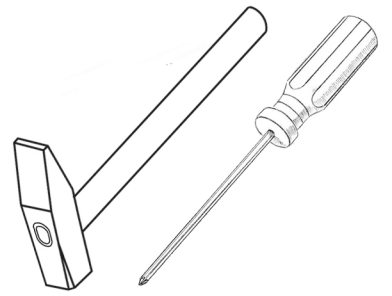


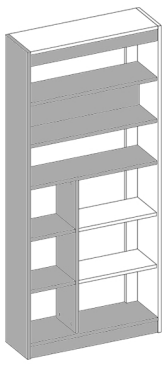
x2

B0501



x2

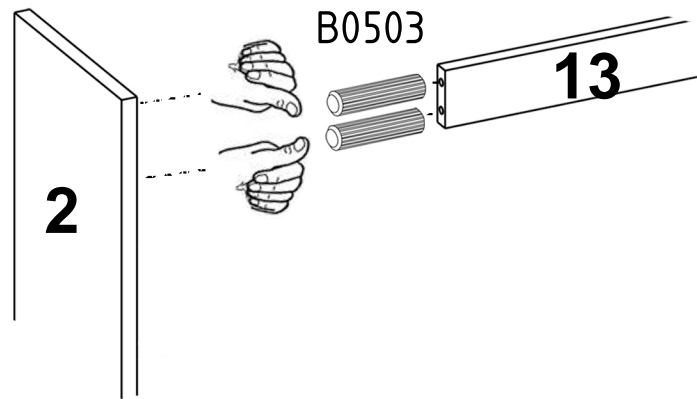
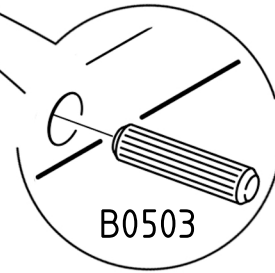
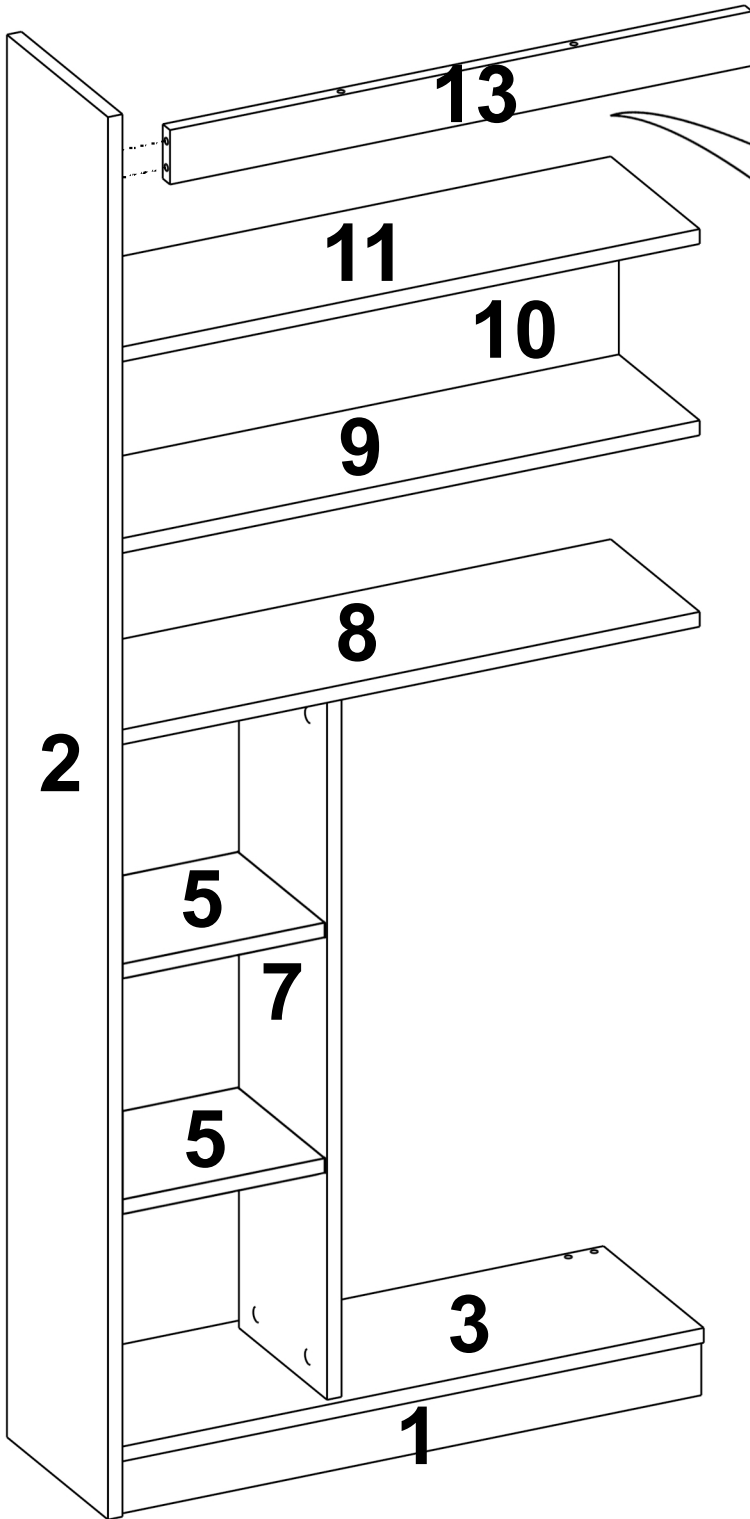
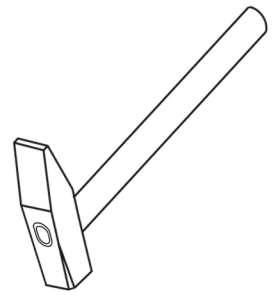


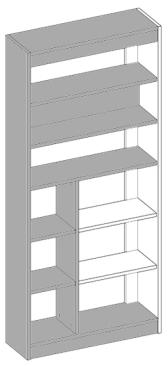


B0503



x2



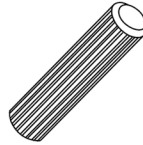


B0502



x2

B0503



x4

B0504

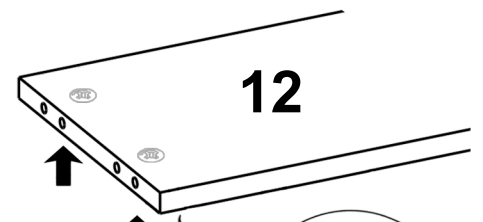
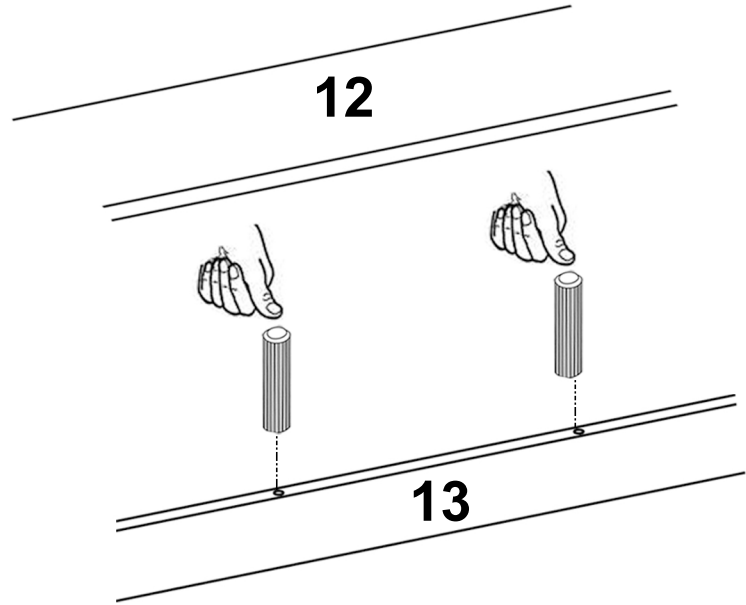
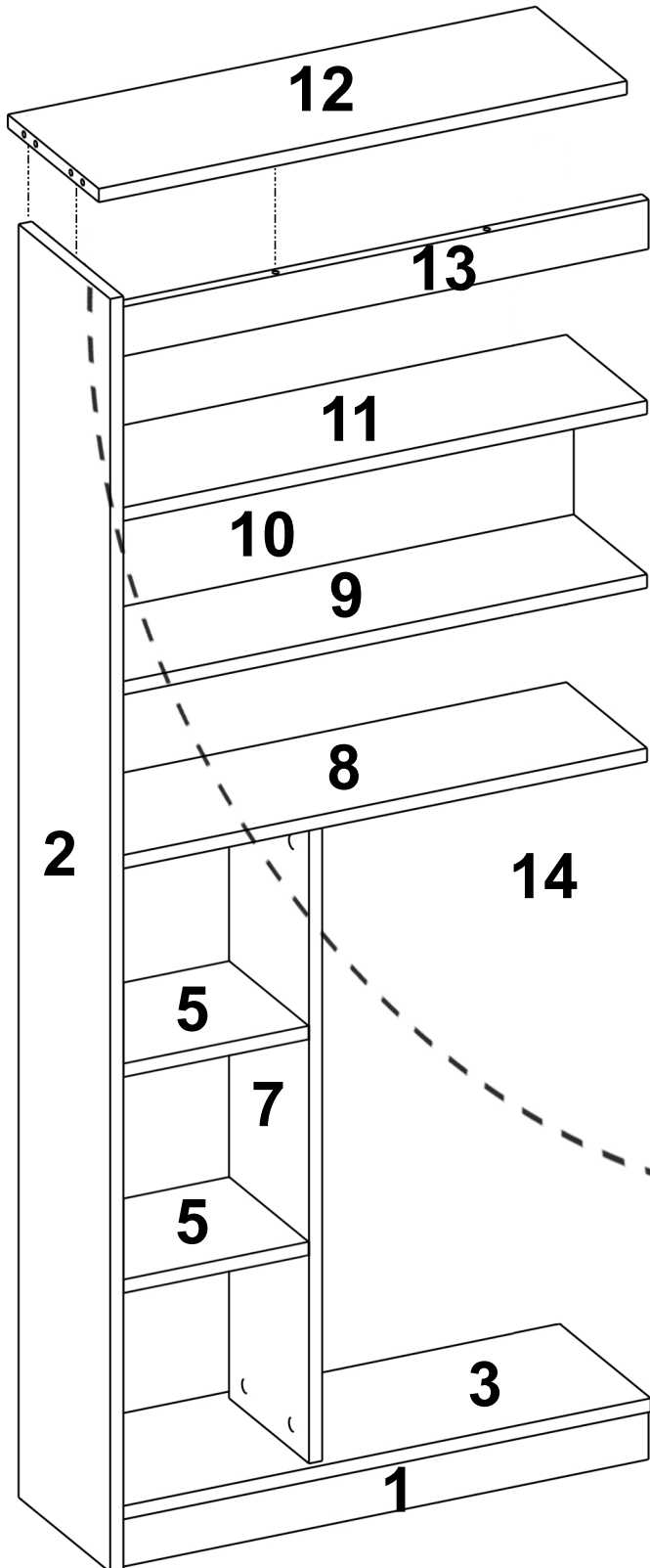
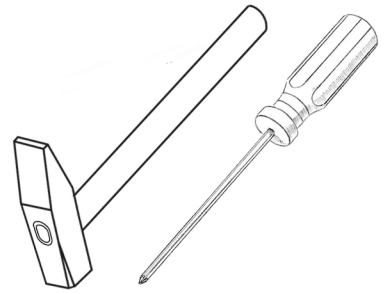


x2

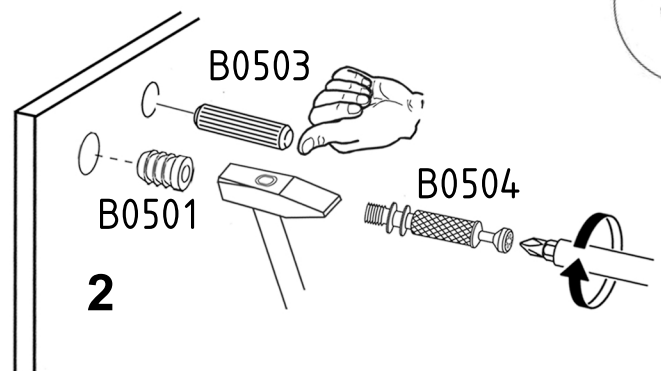
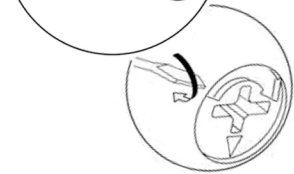
B0501



x2



B0502

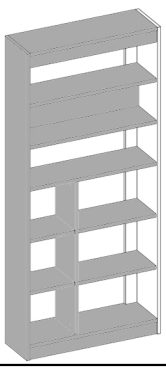


B0503

B0501

B0504

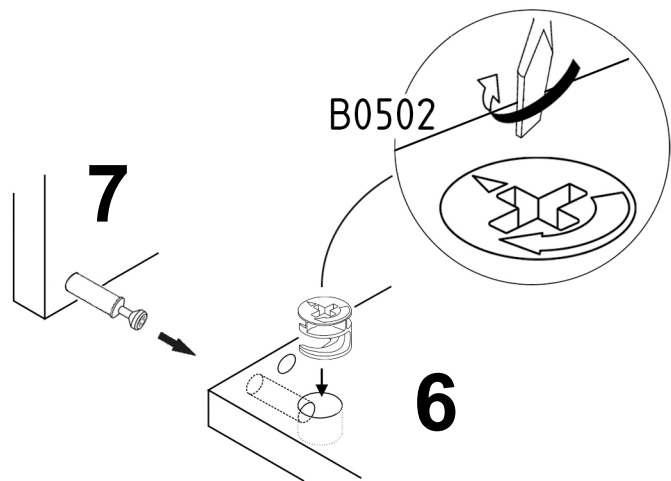
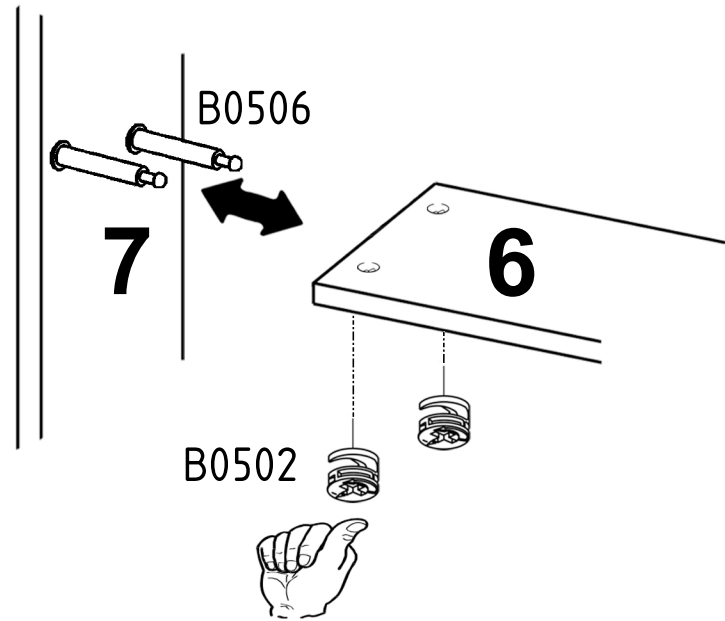
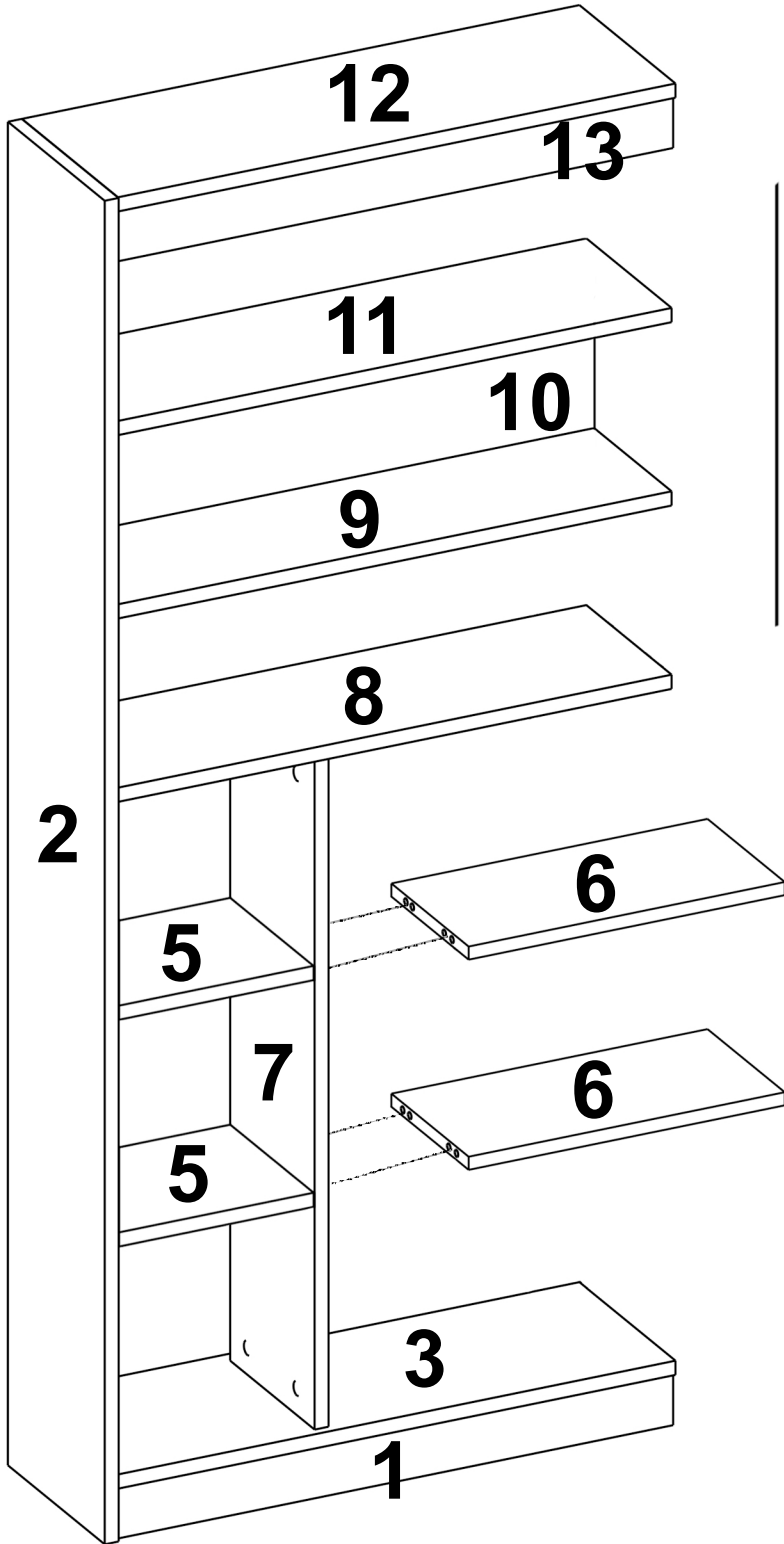
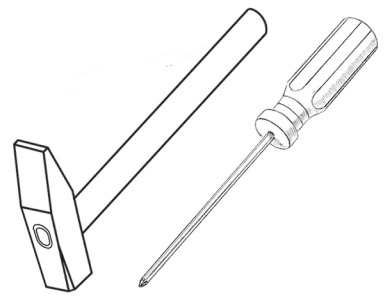
2

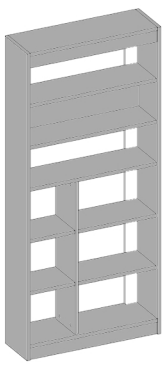


B0502

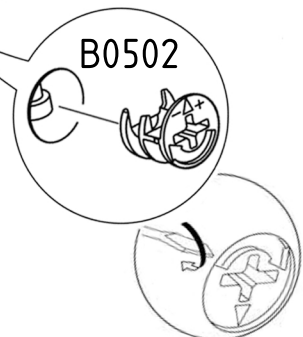
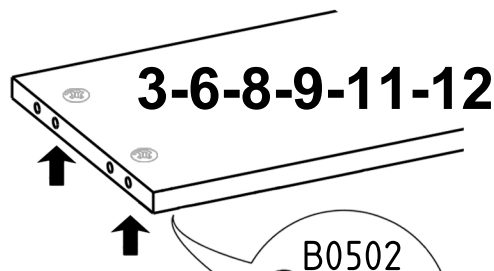
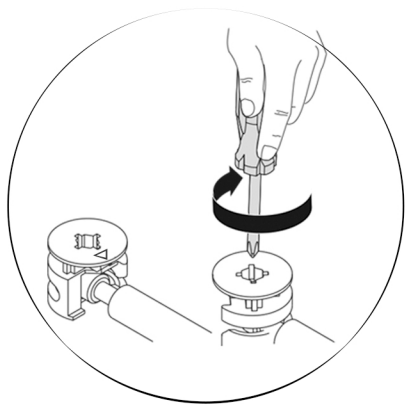
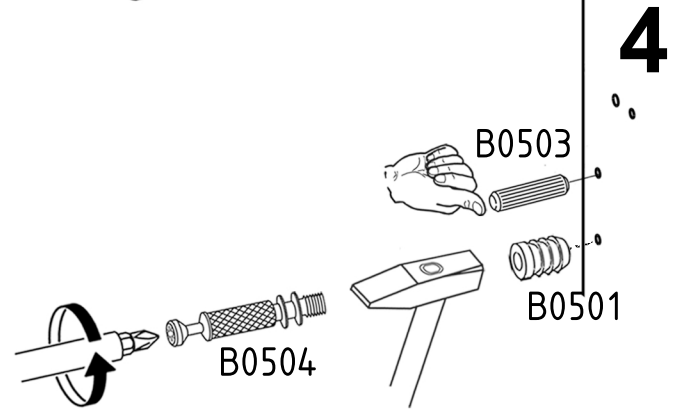
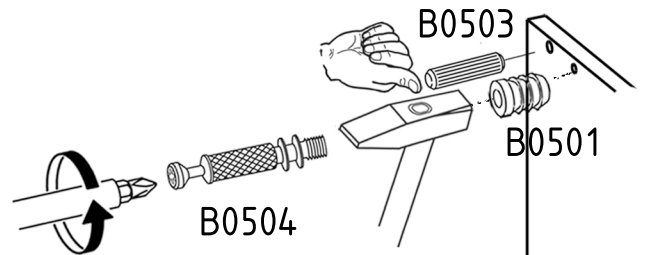
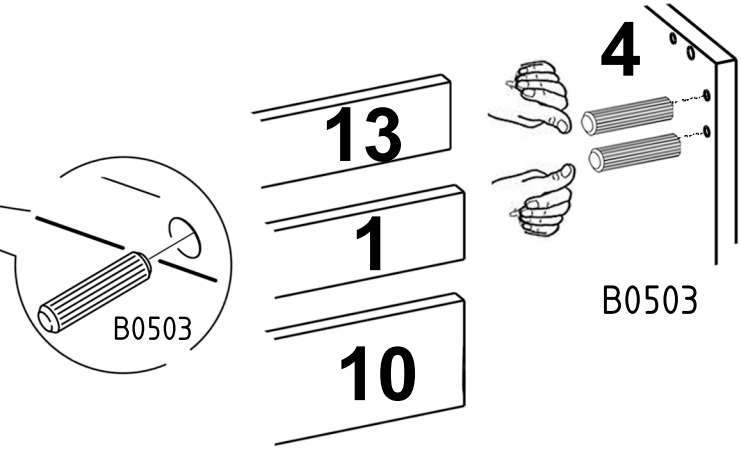
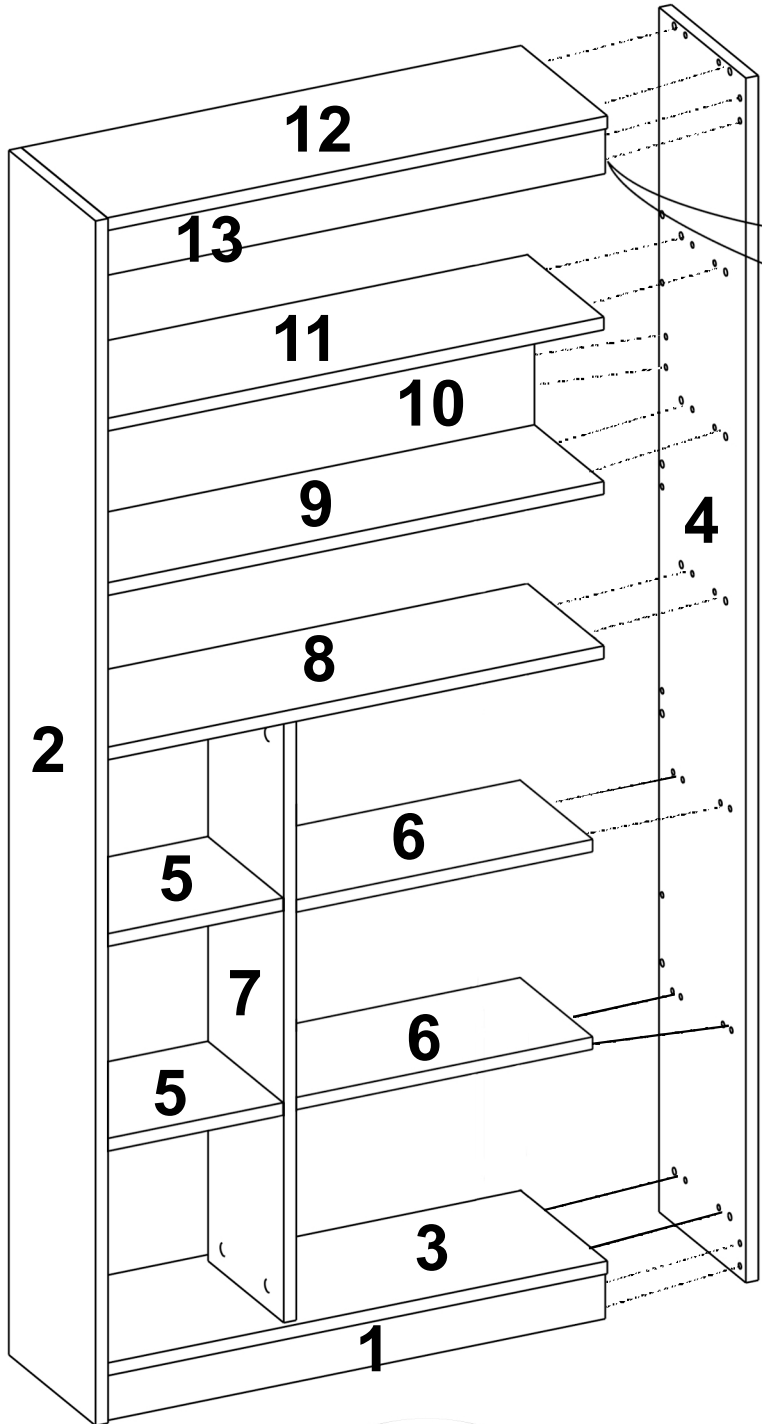
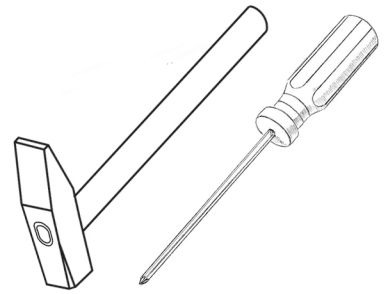


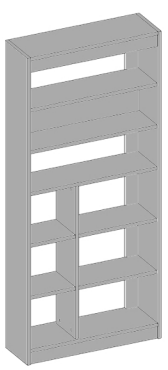
X4





B0502 B0503 B0504 B0501
x14 x20 x14 x14



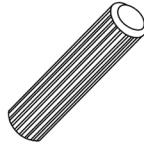


B0502



x8

B0503



x8

B0504

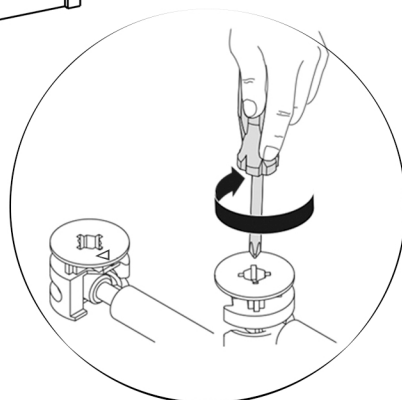
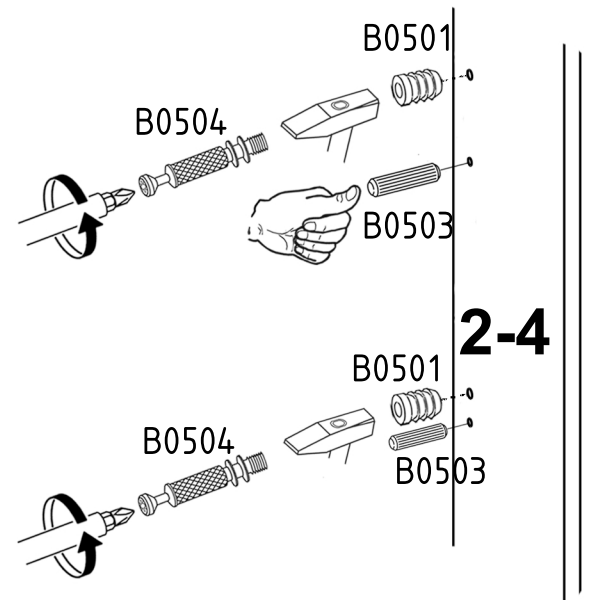
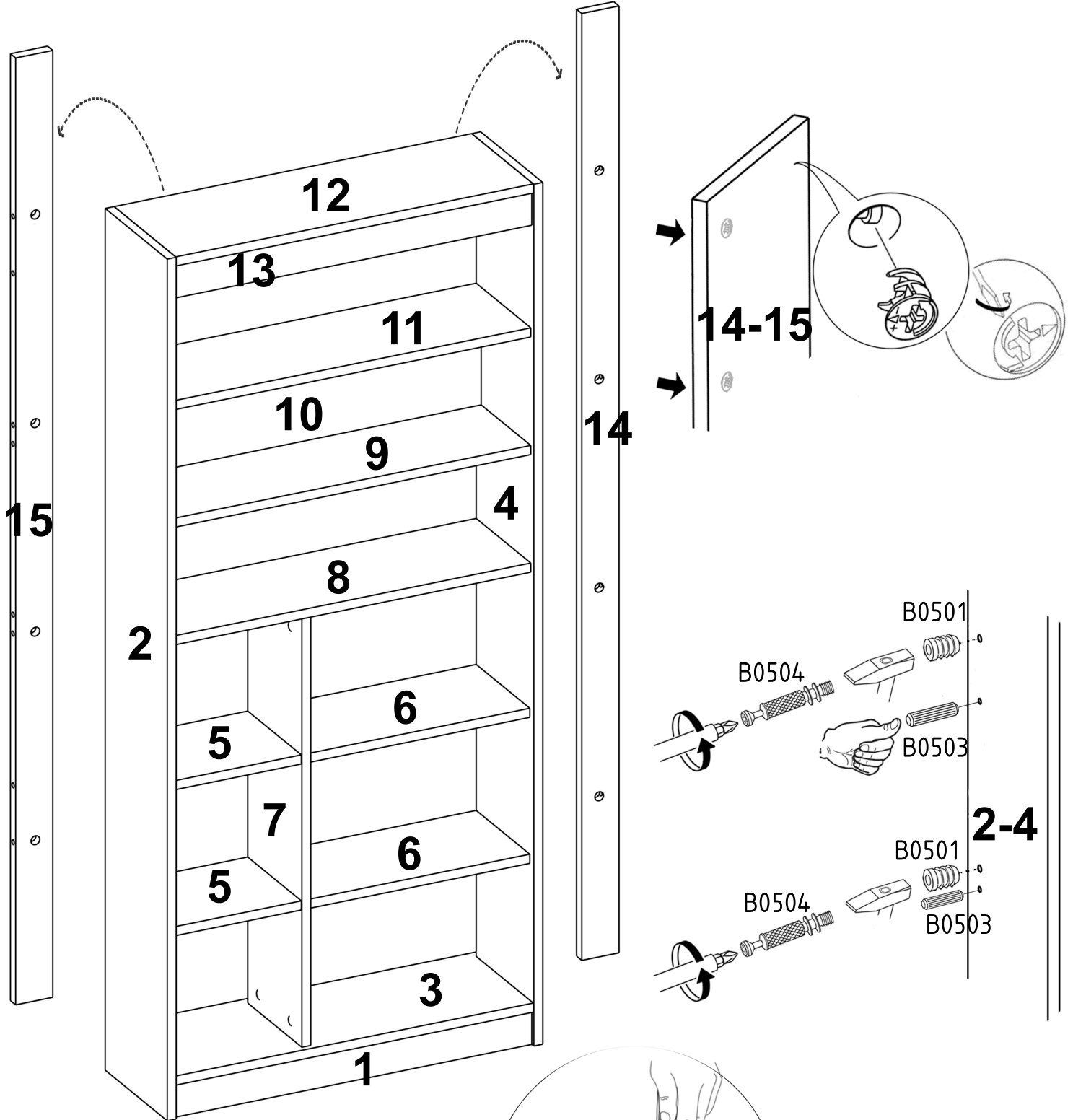
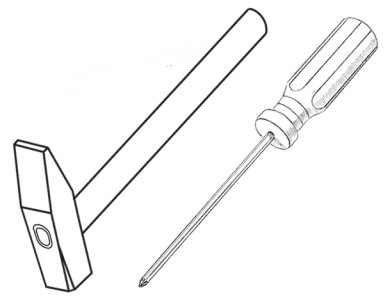


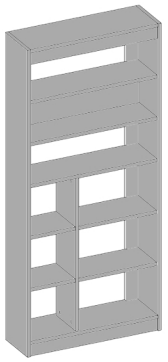
x8

B0501



x8



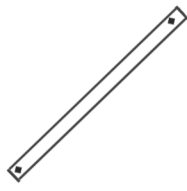


B0305

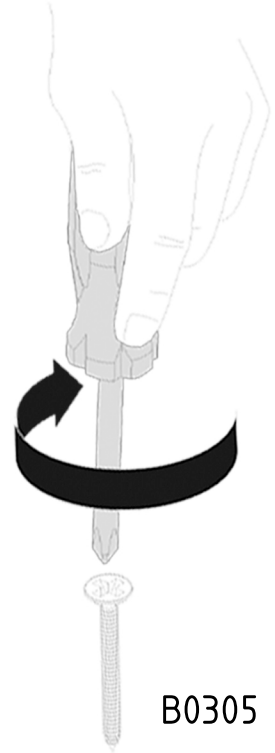
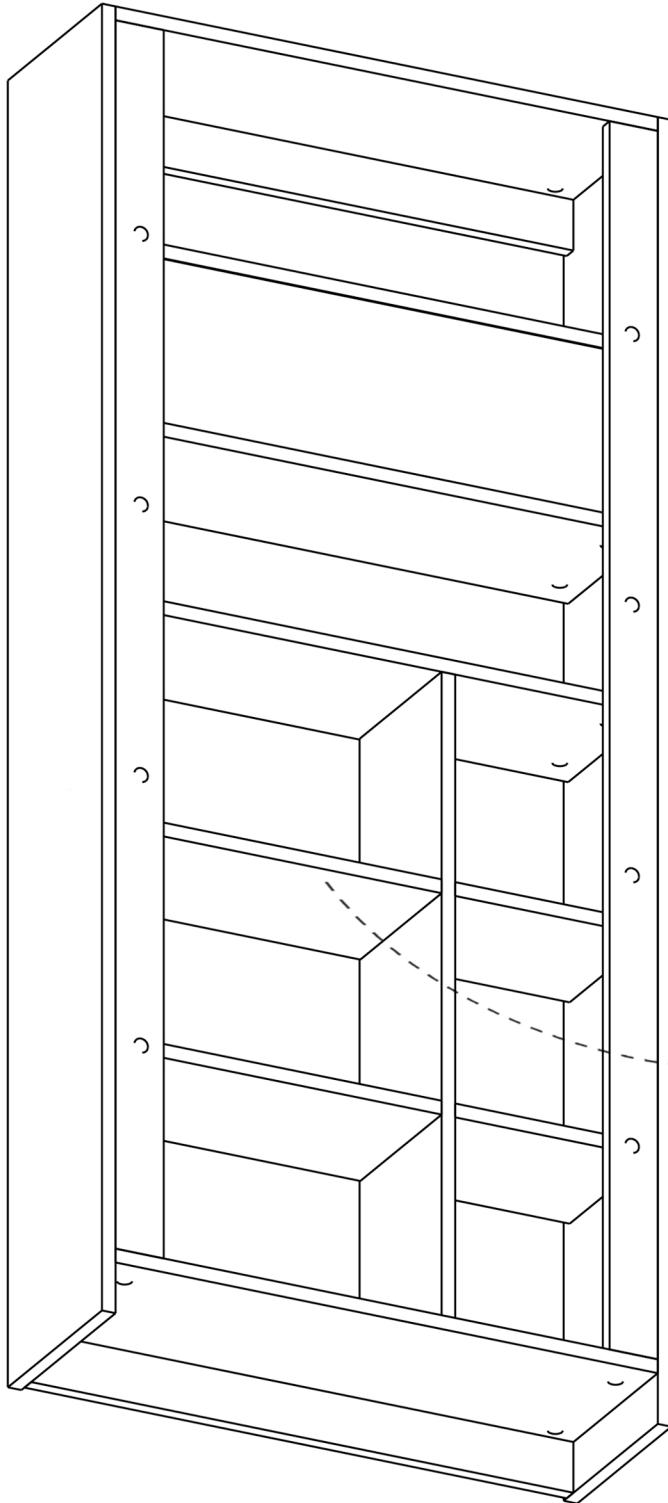
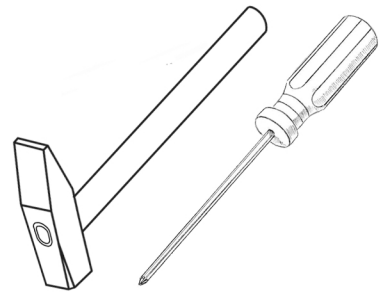


x4

D0116



x2



B0305

