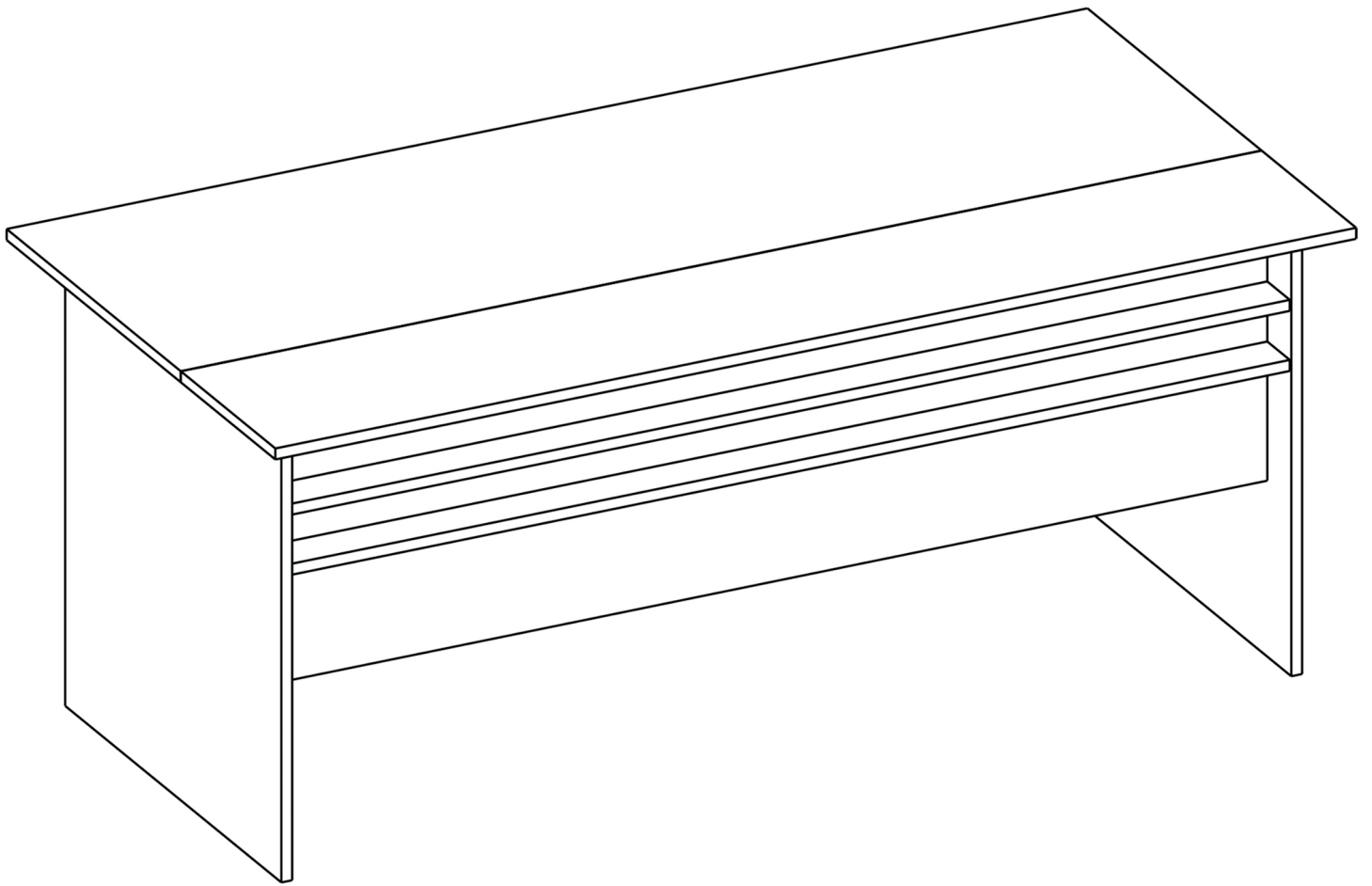


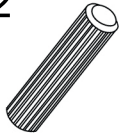

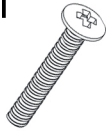



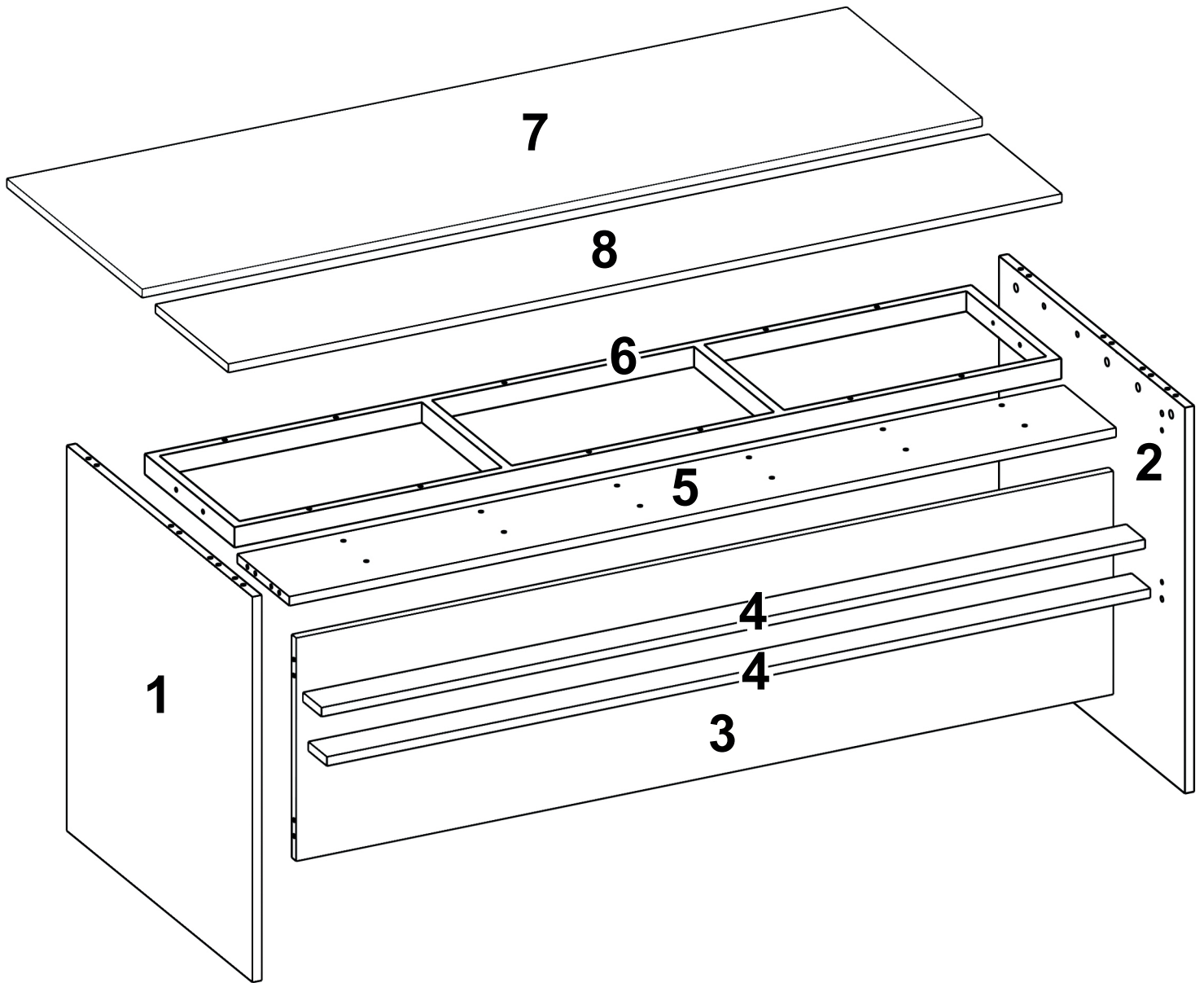
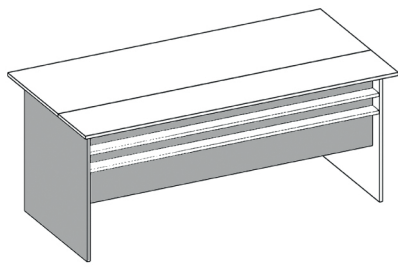


VS1-CGA



2  B0501 x33	2  B0502 x13	2  B0503 x13	2  B0504 x13	1  B0329 x12
1  B0304 x15	1  B0303 x13	1  B0327 x4		





B0502 B0501 B0503 B0504

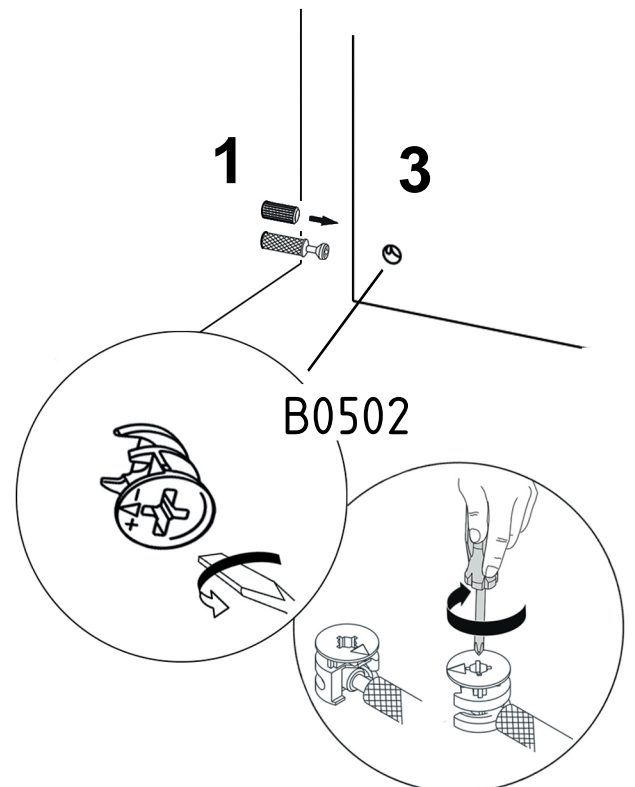
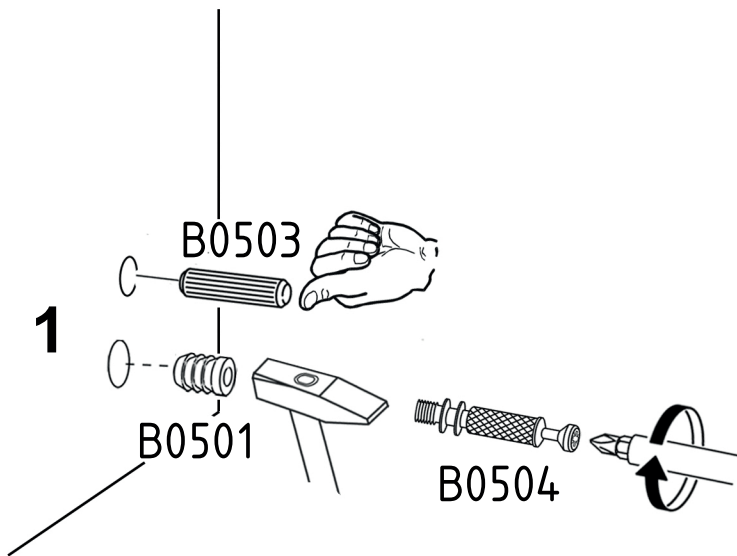
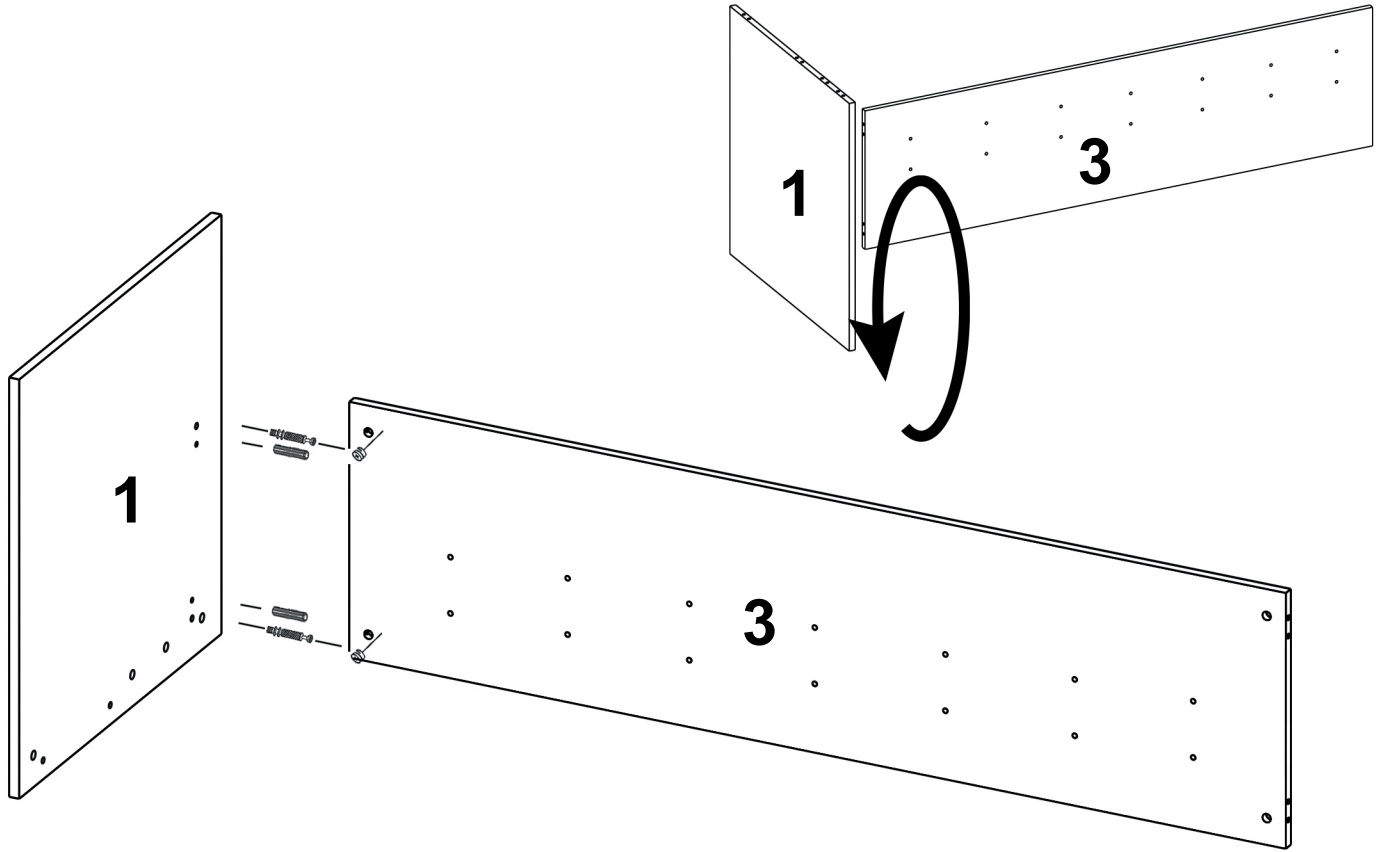
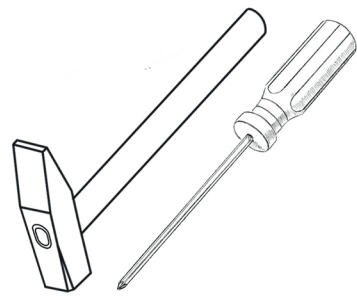


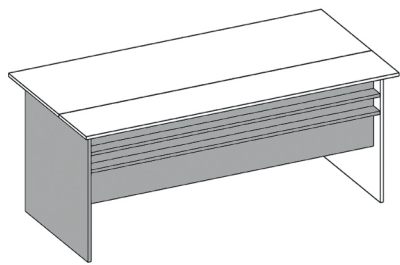
x2

x2

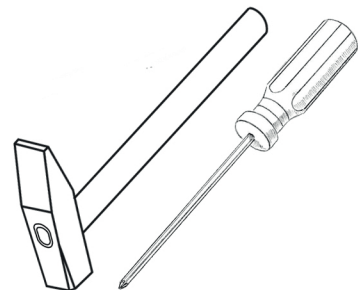
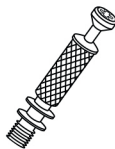
x2

x2

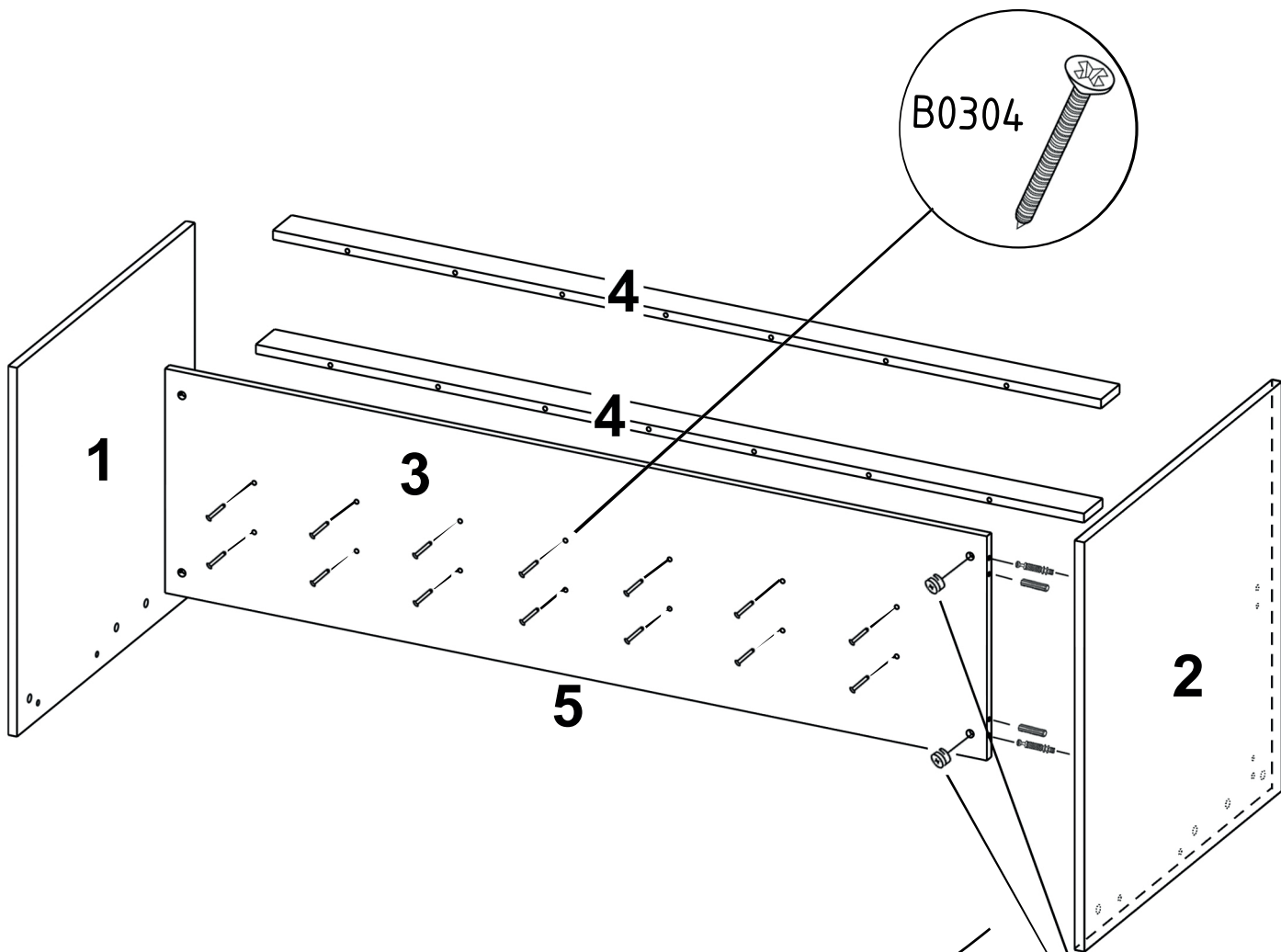




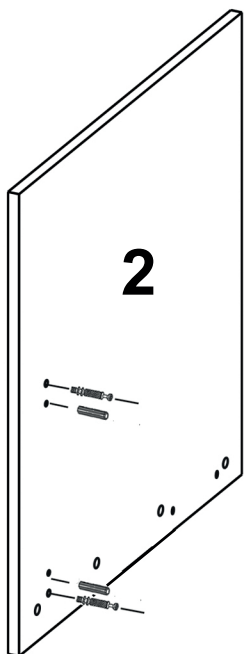
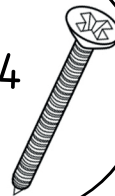
B0502 B0501 B0503 B0504 B0304



x2 x2 x2 x2 x14

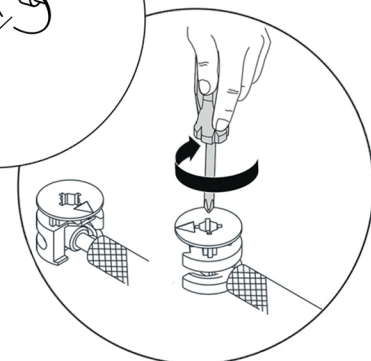
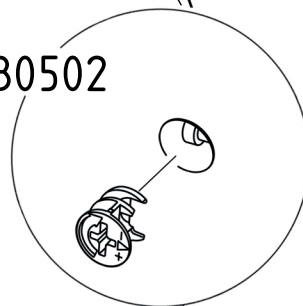


B0304



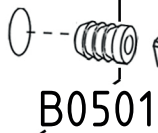
2

B0502

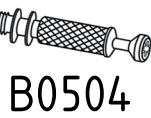
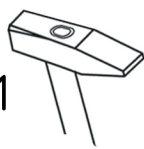


2

B0503

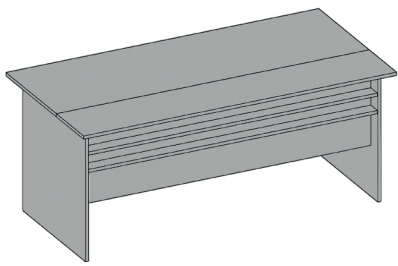


B0501

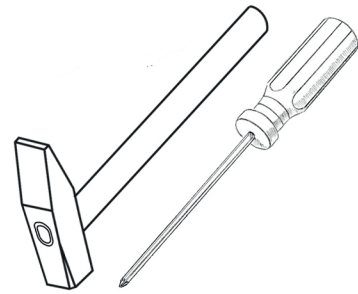


B0504

3



B0502 B0501 B0503 B0504

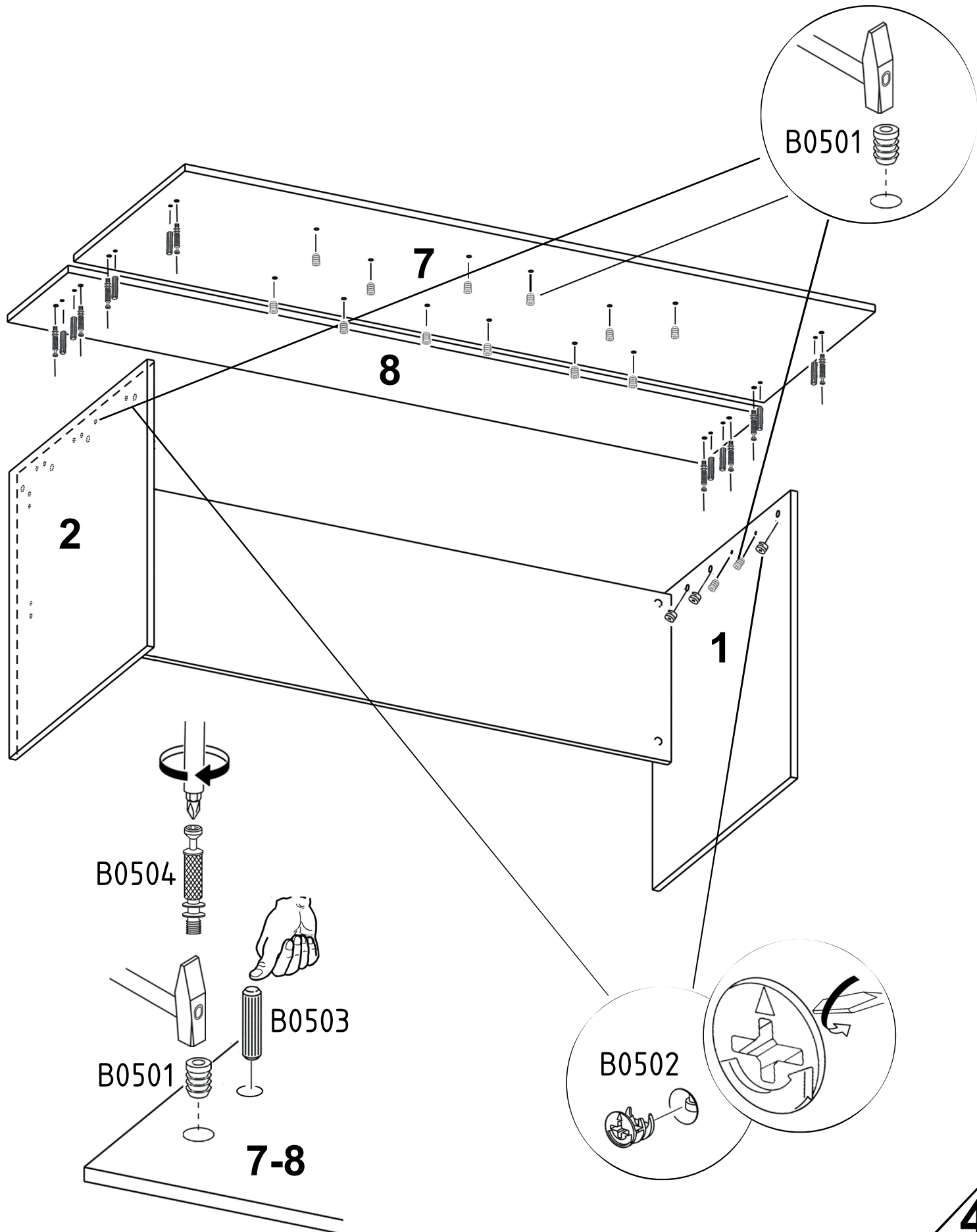


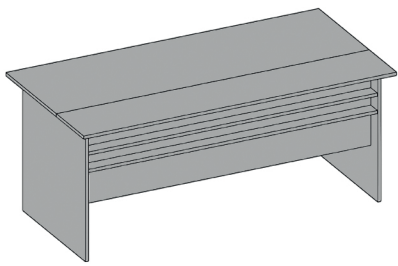
x8

x32

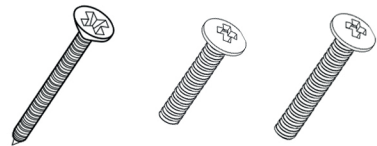
x8

x8





B0304 B0327 B0329



x14 x4 x12

