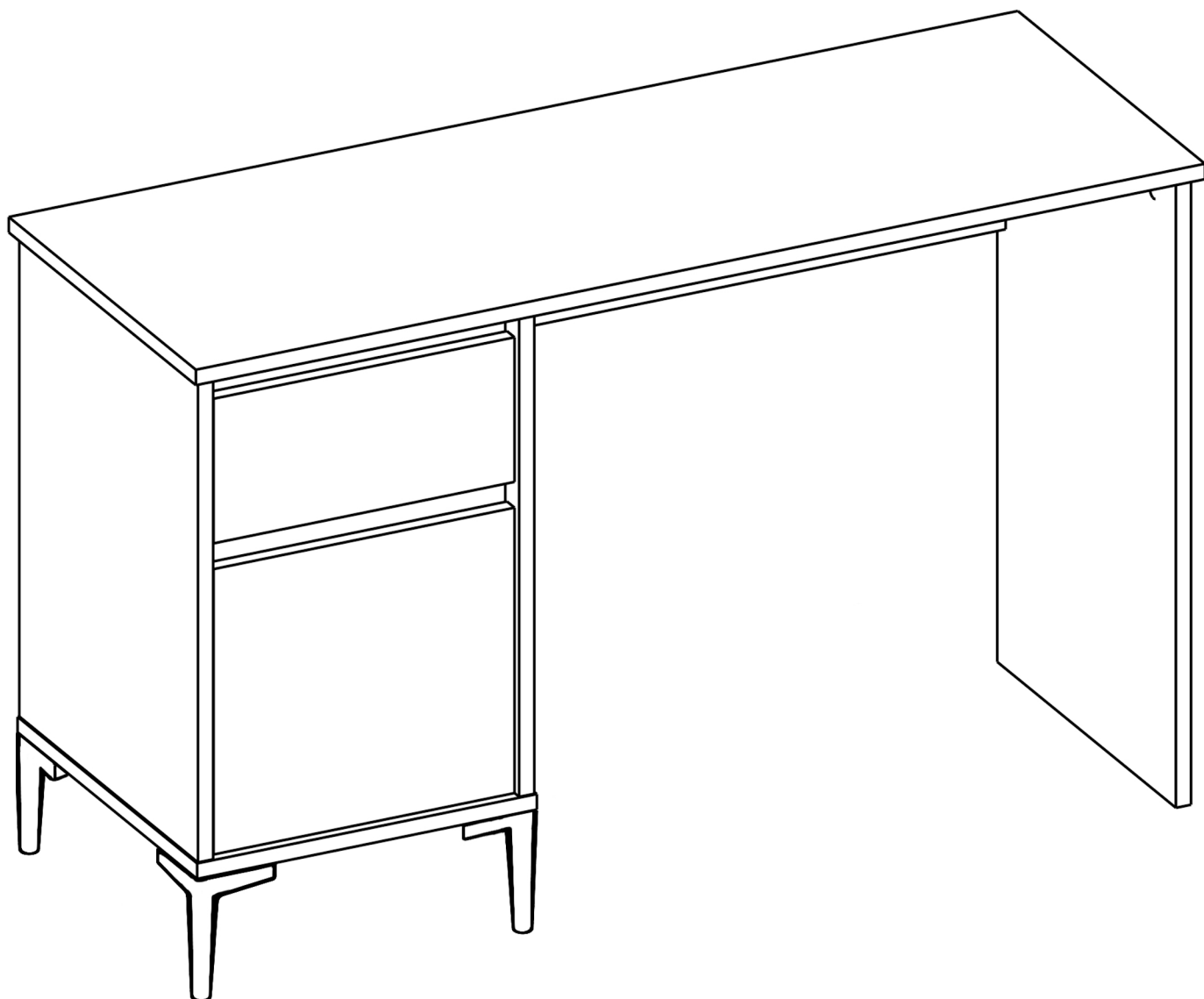


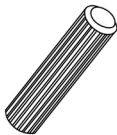




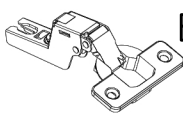
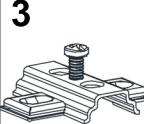
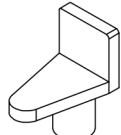




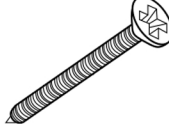

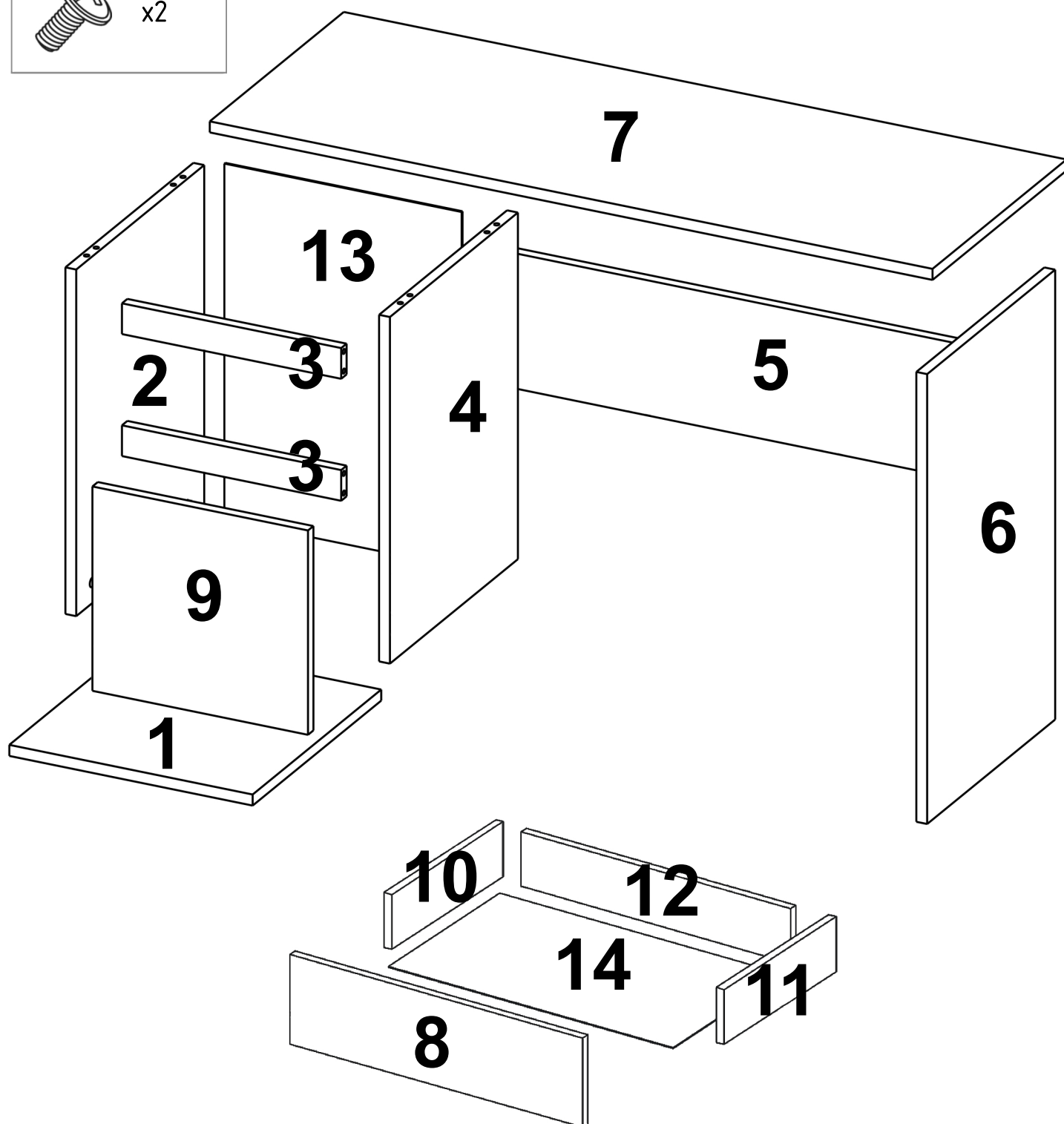
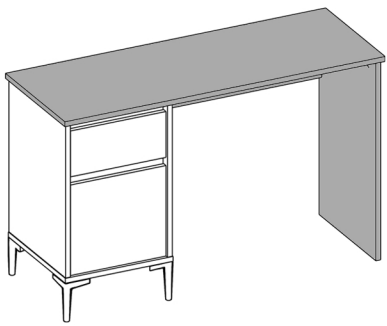


AR8



| | | | | |
|---|--|---|---|---|
|  B0501 x17 |  B0502 x17 |  B0503 x25 |  B0504 x17 |  B0301 x13 |
|  B1004 x4 |  B0318 x15 |  B0103 x2 |  3 B0105 x2 |  B0509 x1 |
|  B0326 x16 |  B0510 x4 |  B0511 x4 |  B0905 x2 |  B0304 x4 |
|  B0328 x2 | | | | |



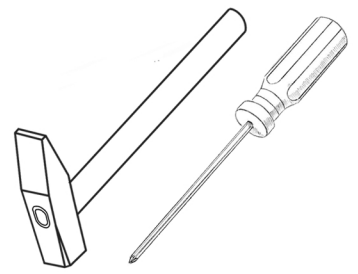
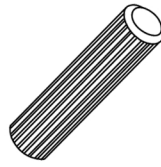


B0502

B0503

B0504

B0501



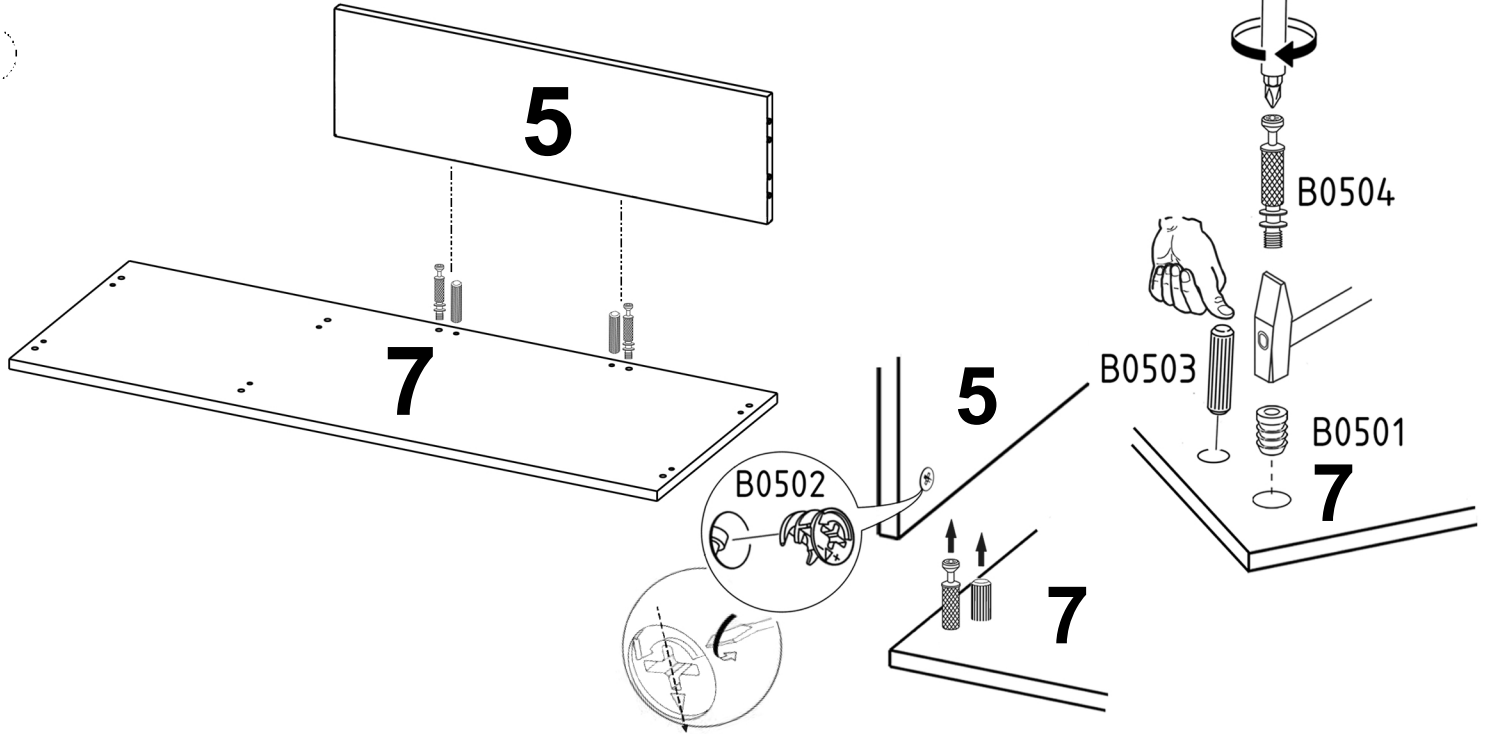
x6

x6

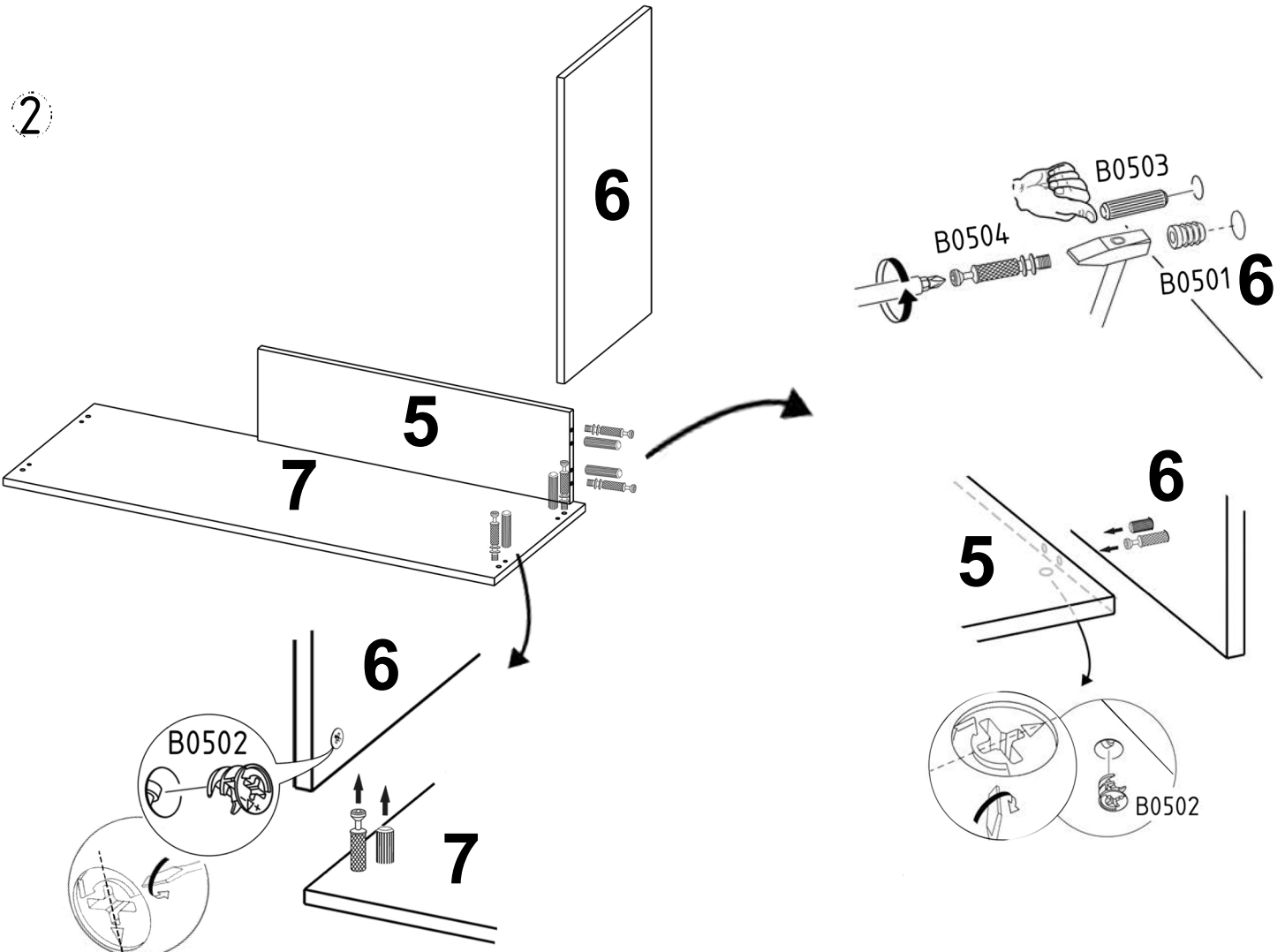
x6

x6

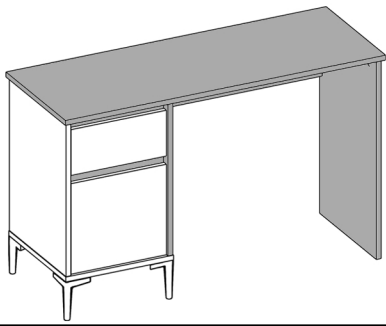
1



2



3

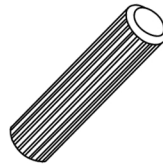


B0502



x4

B0503



x8

B0504

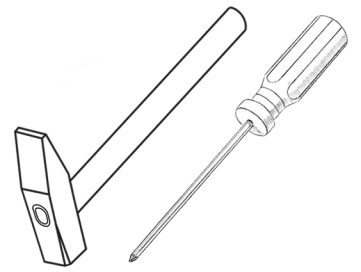


x4

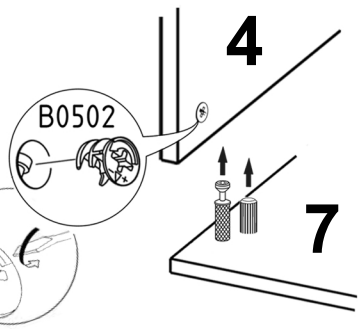
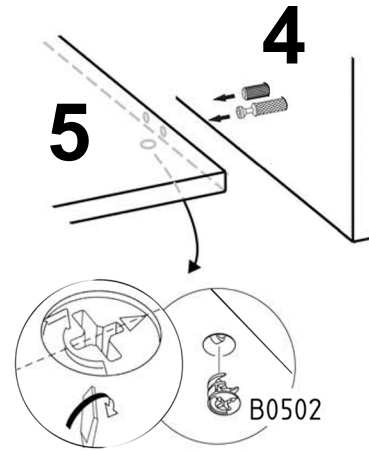
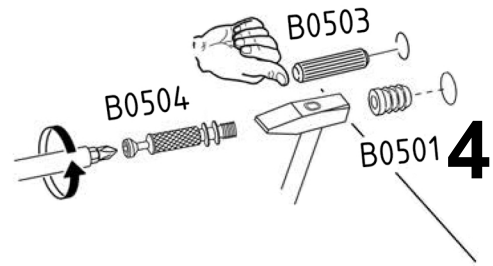
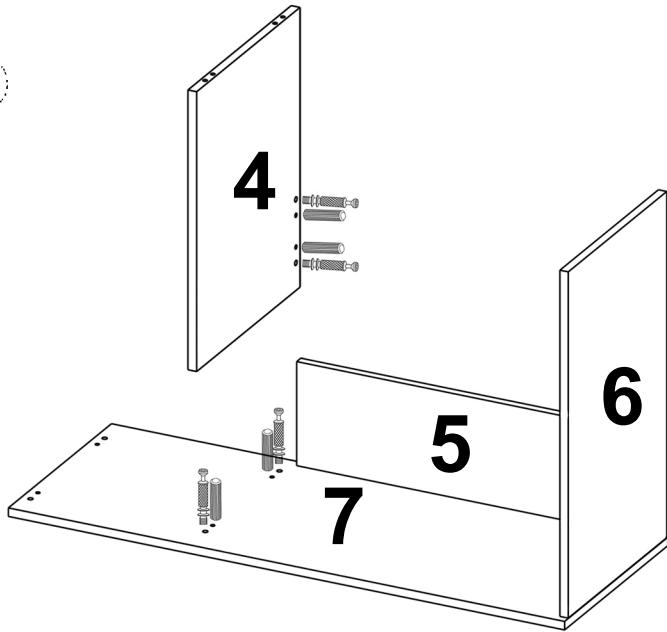
B0501



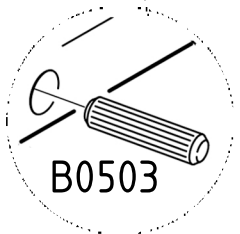
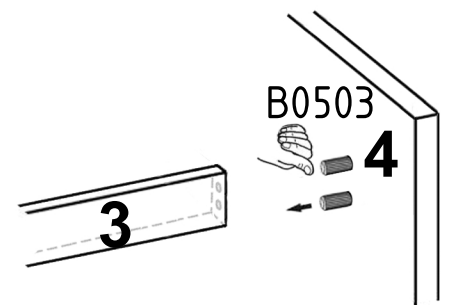
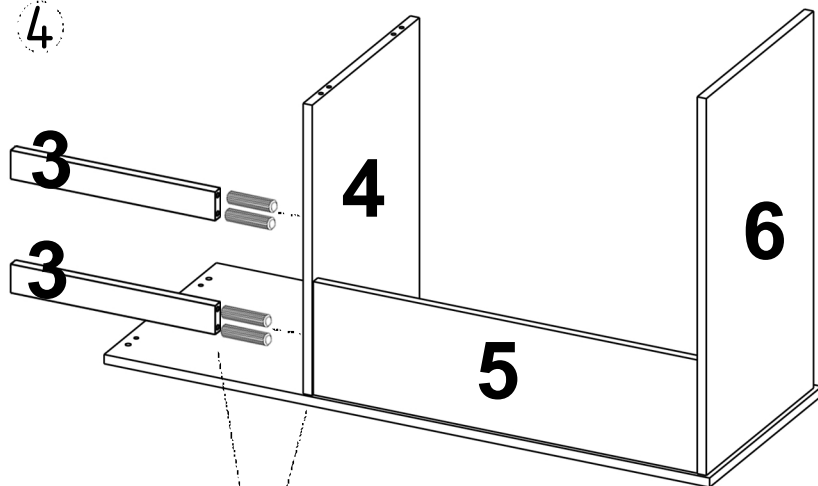
x4

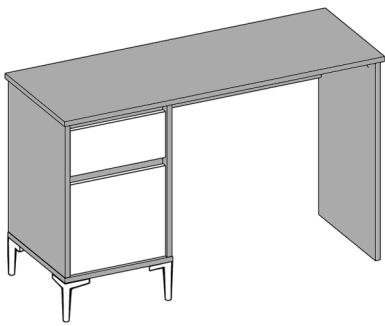


3



4



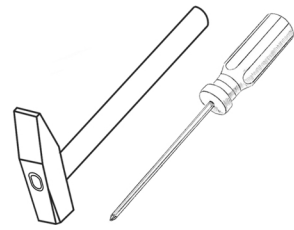
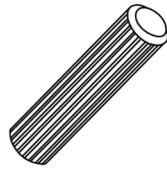


B0502

B0503

B0504

B0501



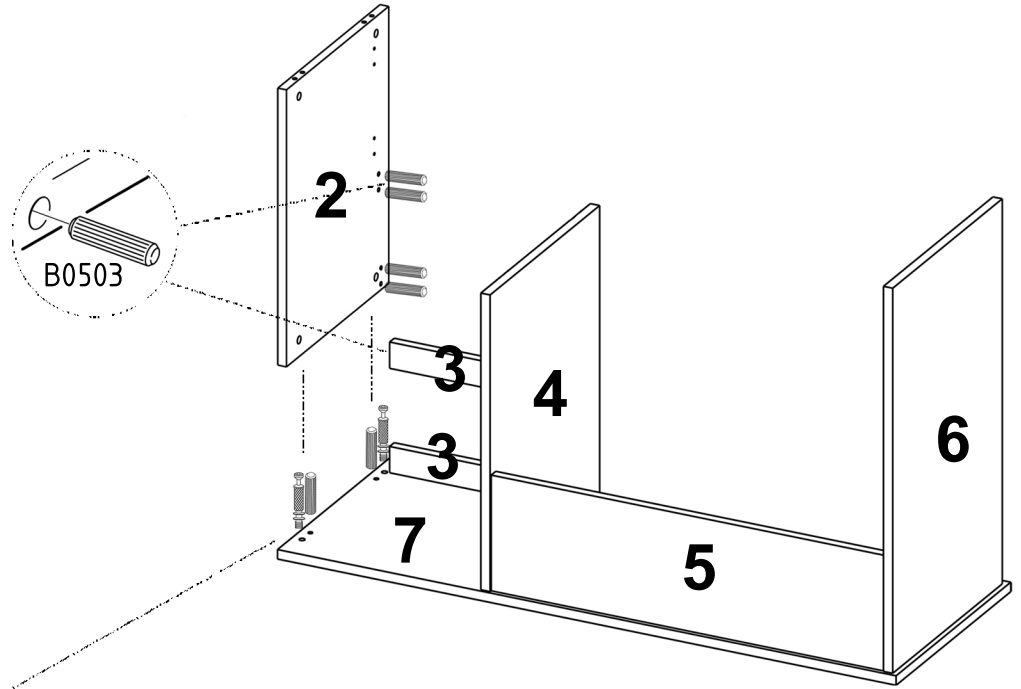
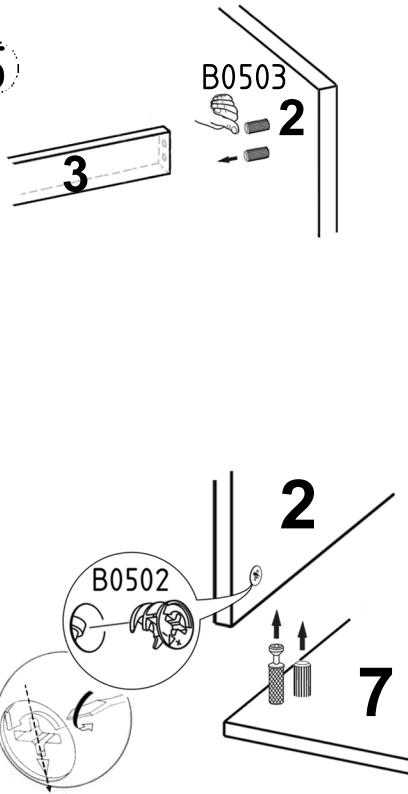
x6

x10

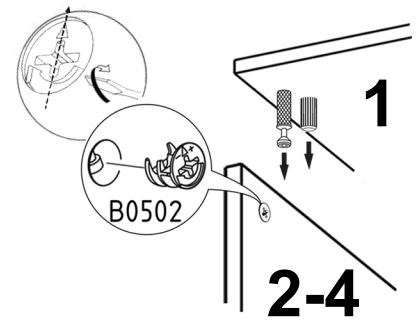
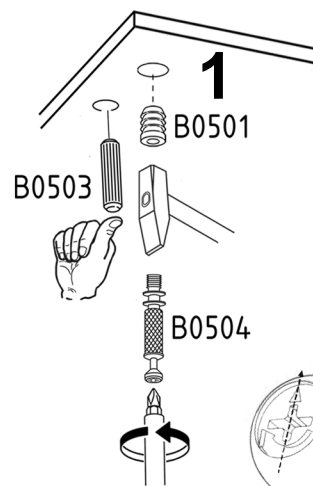
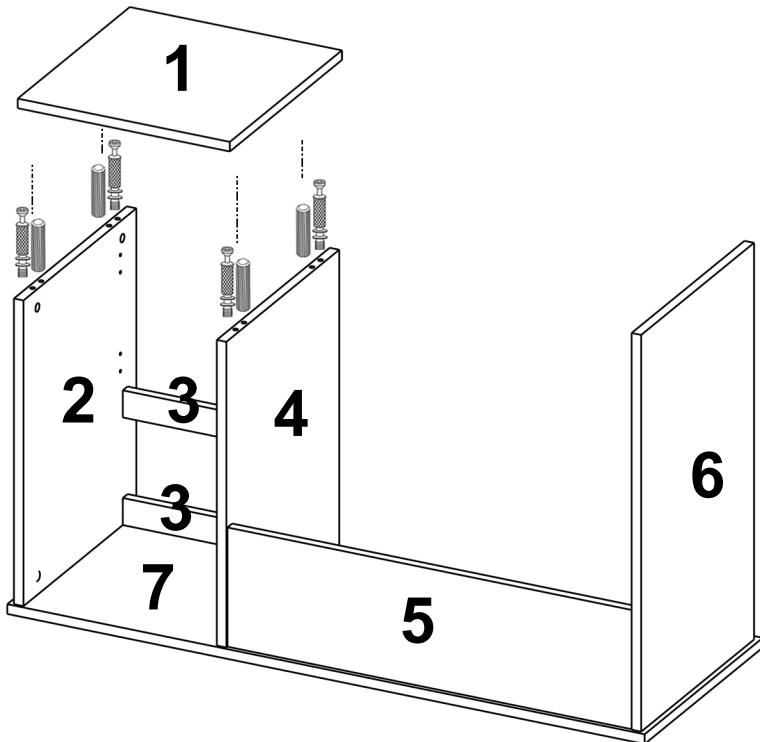
x6

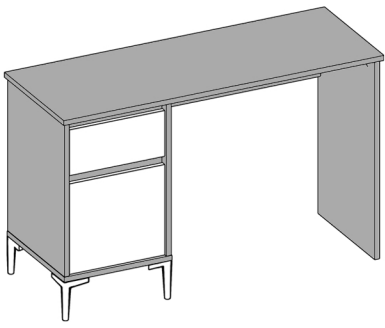
x6

5



6





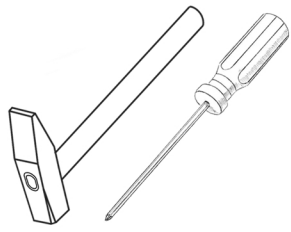
B0510

B0511



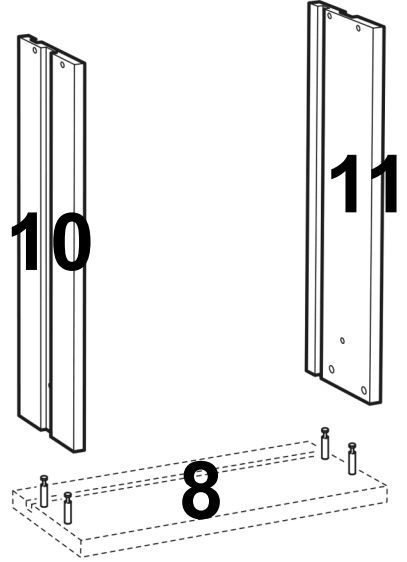
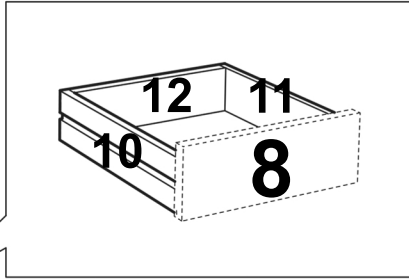
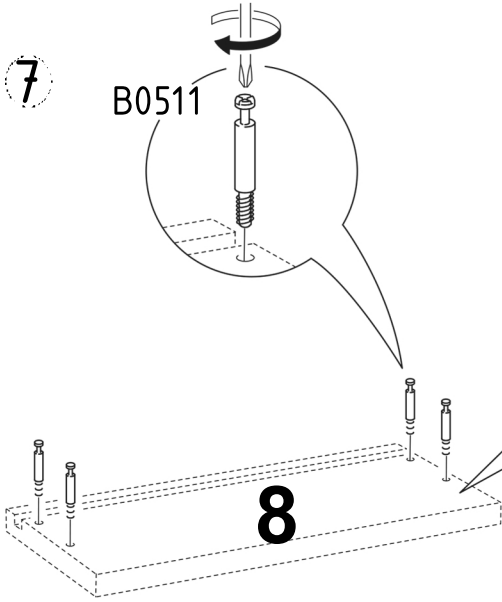
x4

x4

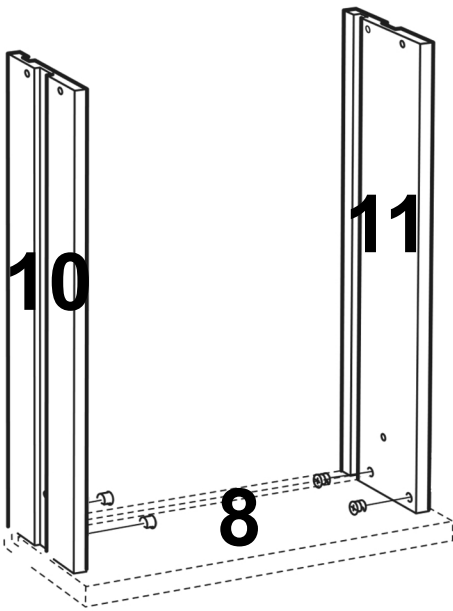


7

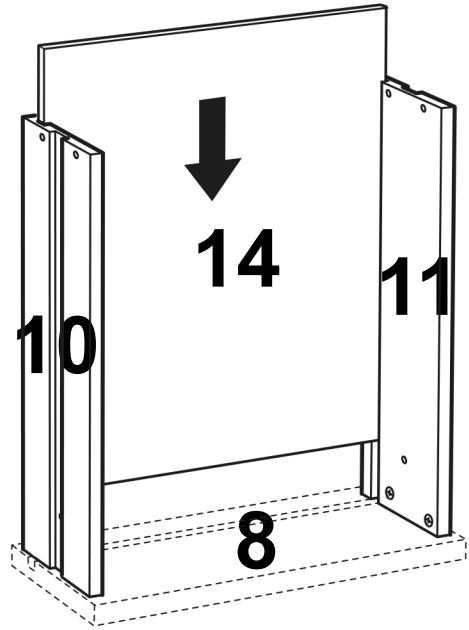
B0511



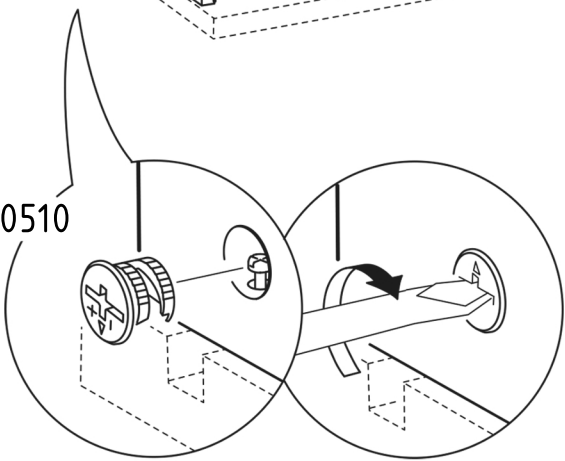
8



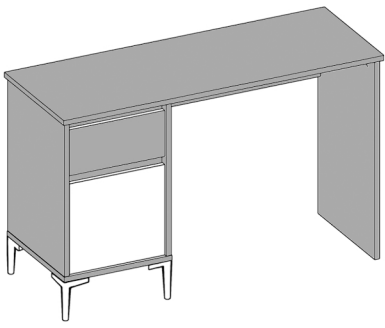
9



B0510



6



B0905

B0304

B0301

B0328



x2



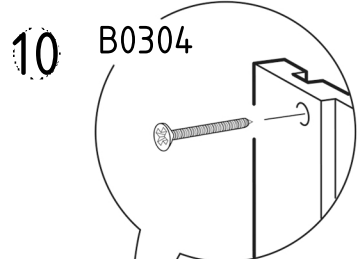
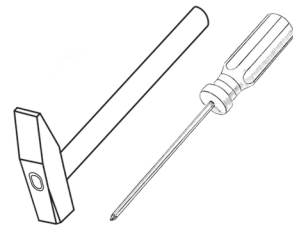
x4



x4



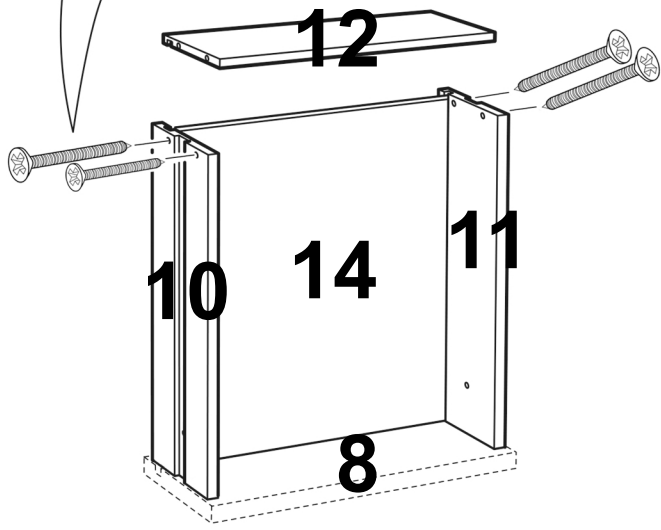
x2



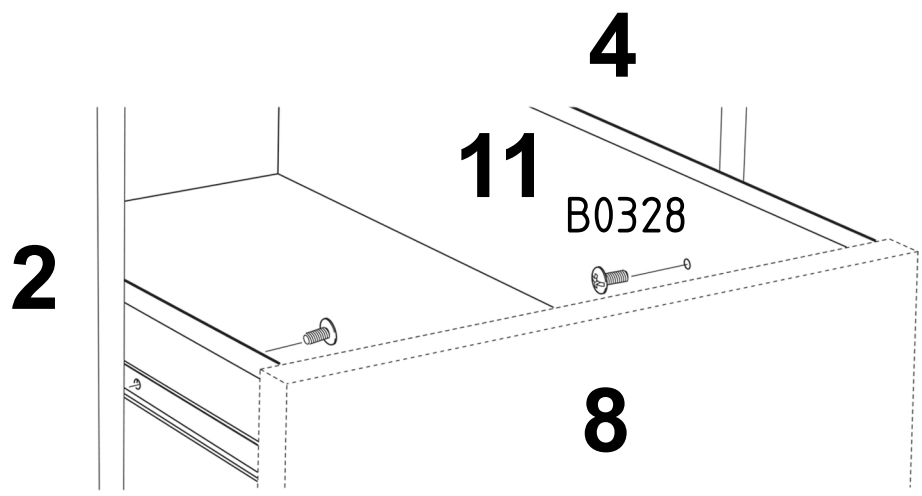
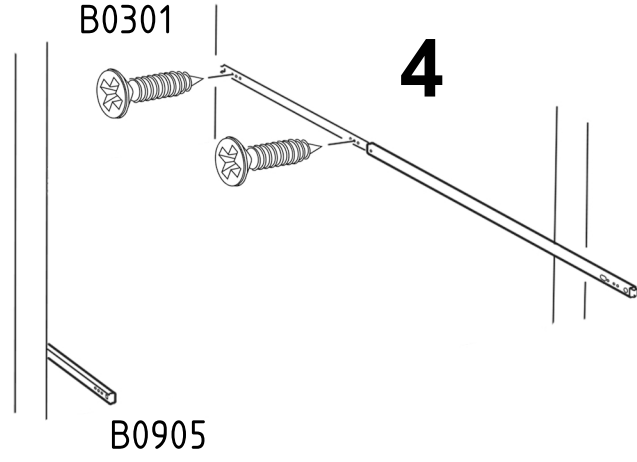
10

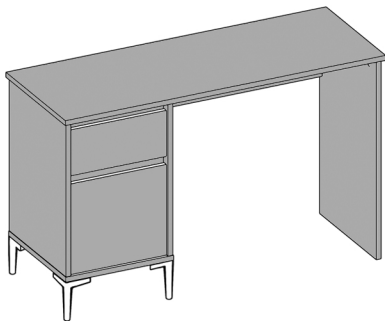
B0304

11

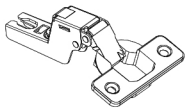


12



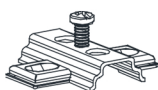


B0103



x2

B0105



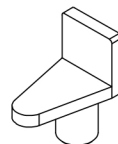
x2

B0301

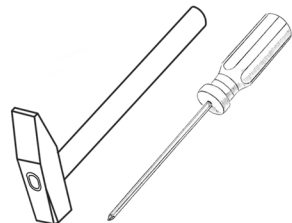


x8

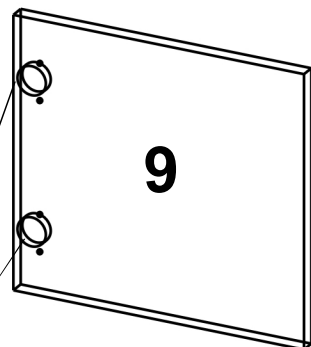
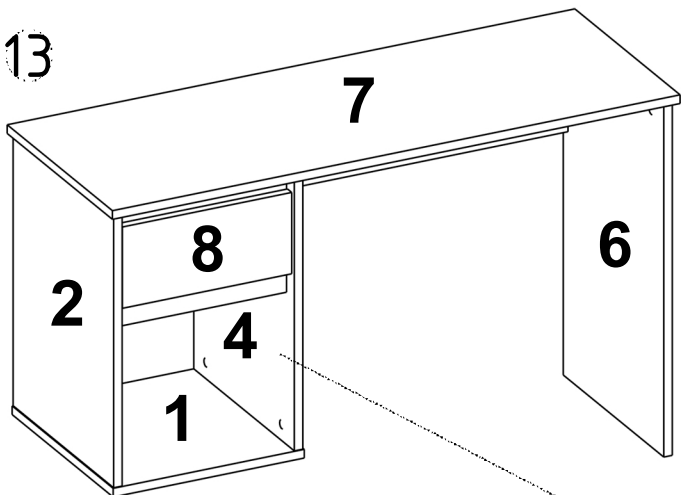
B0509



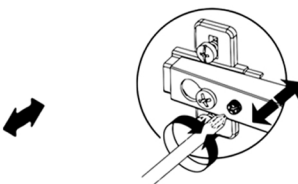
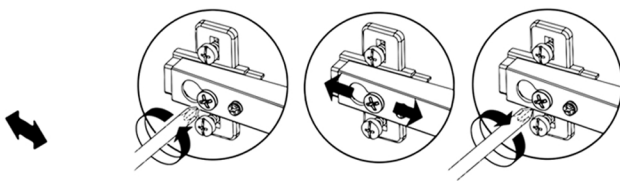
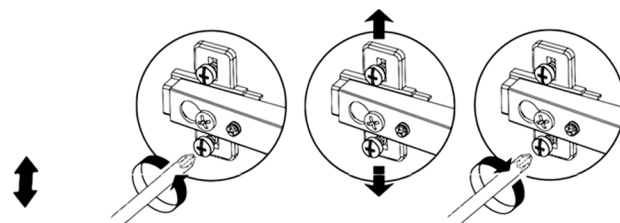
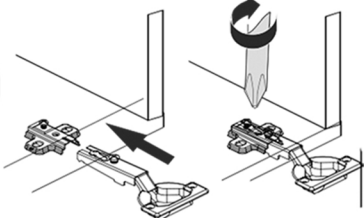
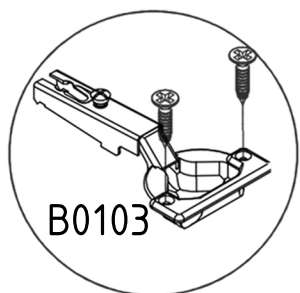
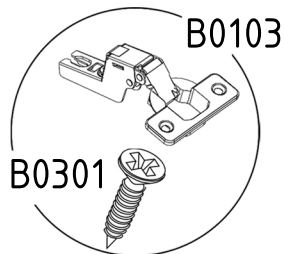
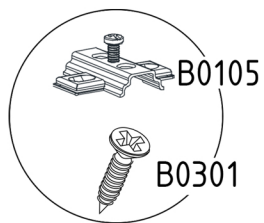
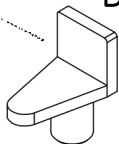
x1

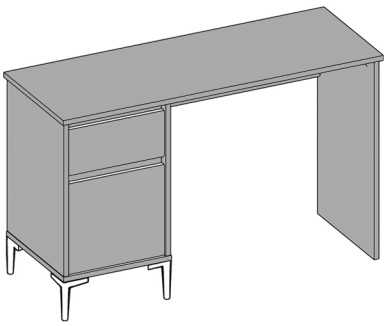


13



B0509





B1004



x4

B0326

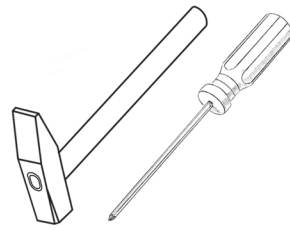


x16

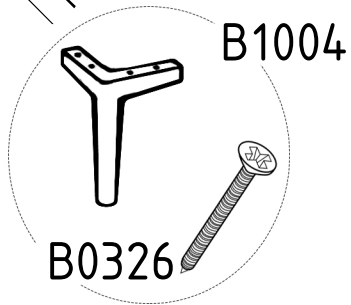
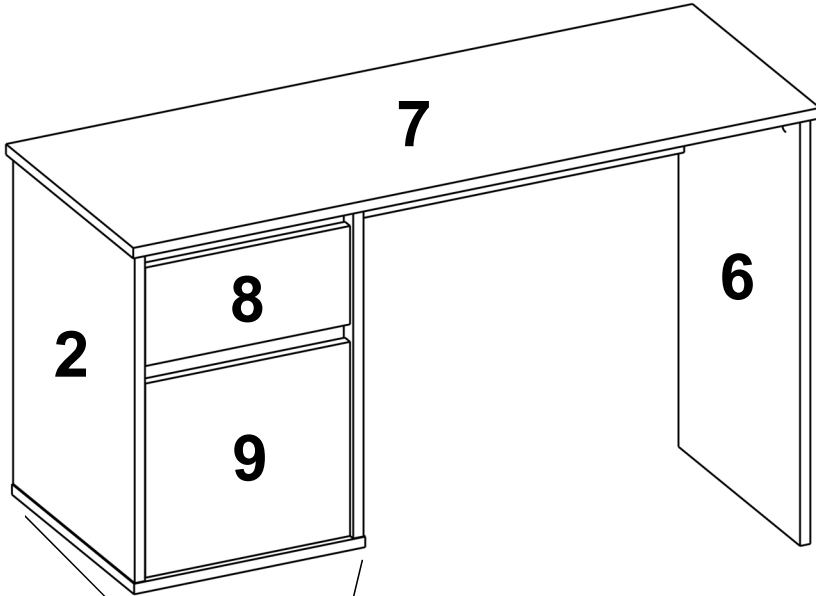
B0318



x15



14



15

