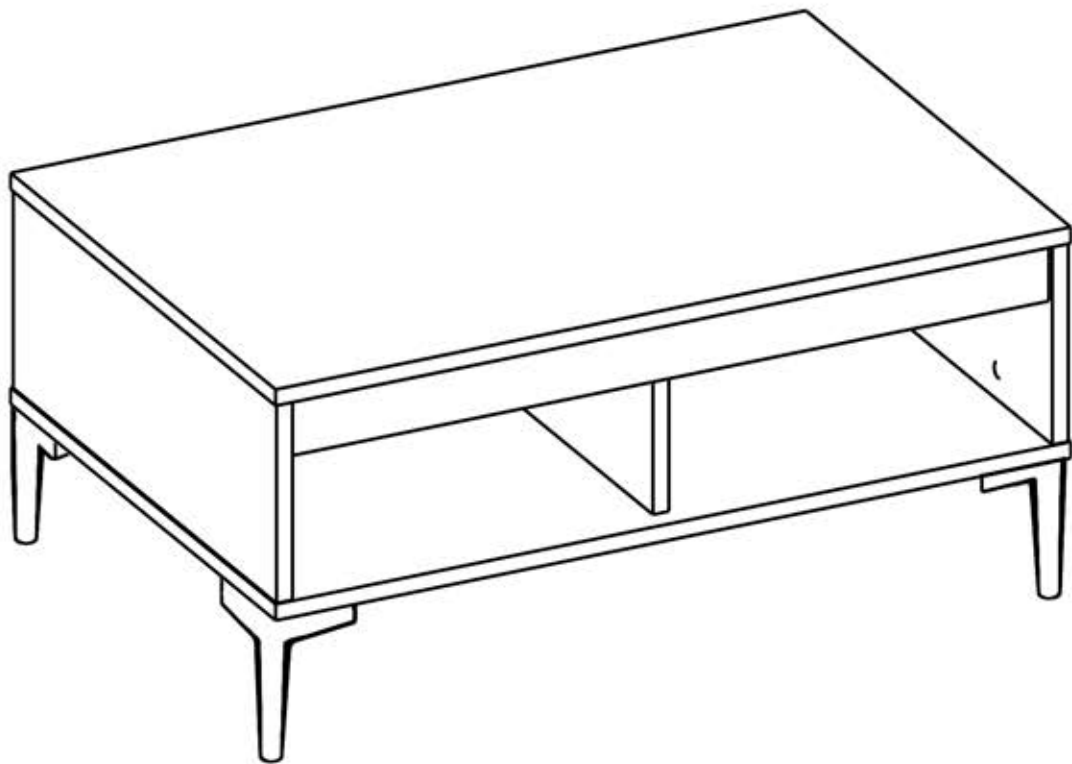






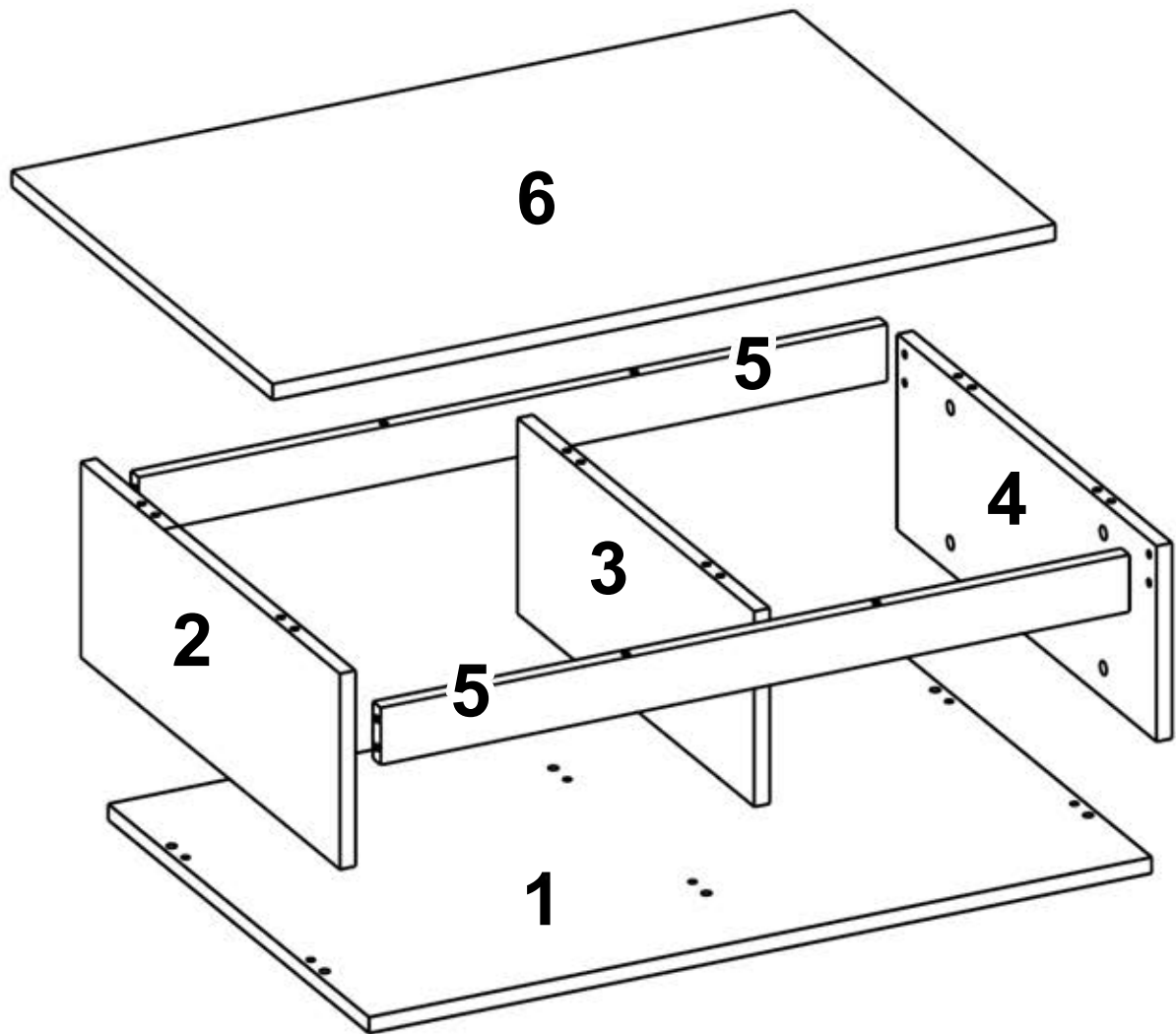


AR2



 <p>B0501 x13</p>	 <p>B0502 x13</p>	 <p>B0503 x25</p>	 <p>B0504 x13</p>	 <p>B0326 x17</p>
 <p>B1004 x4</p>				





B0501 B0502 B0503 B0504

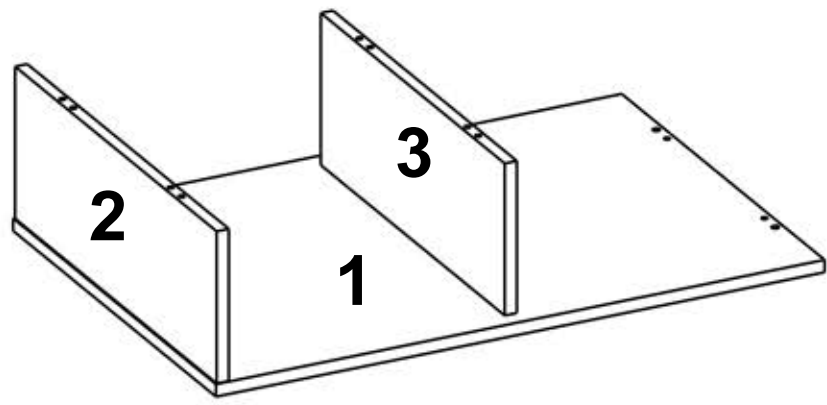
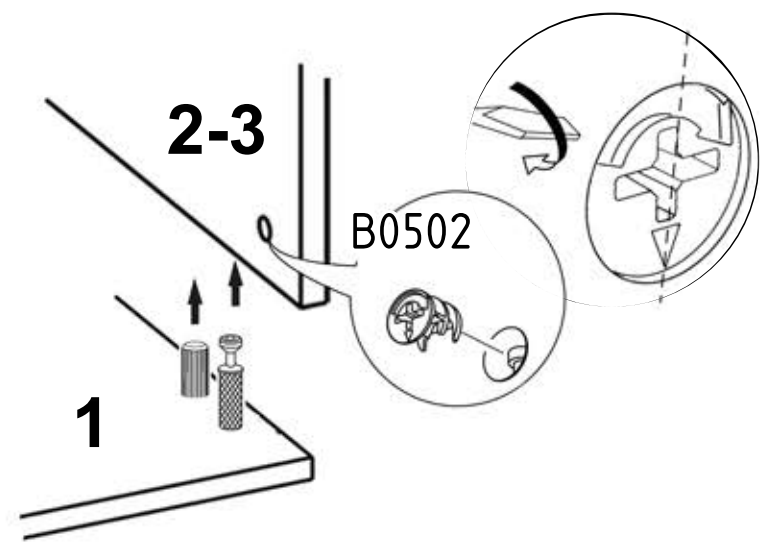
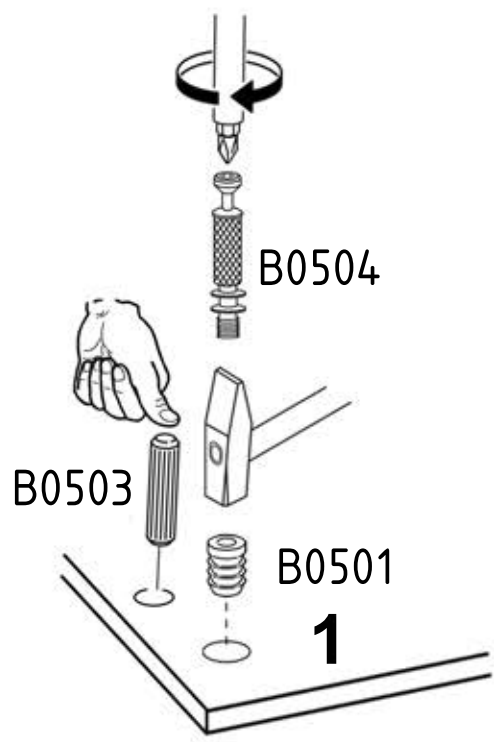
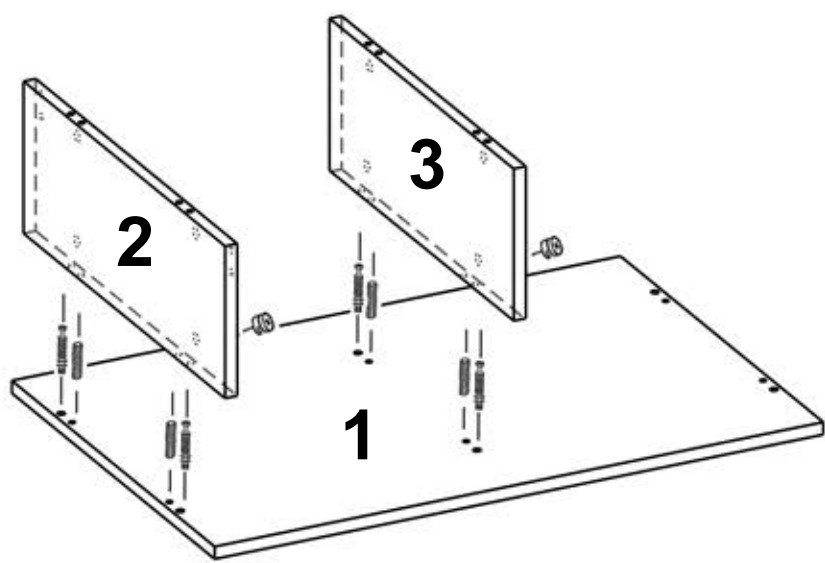
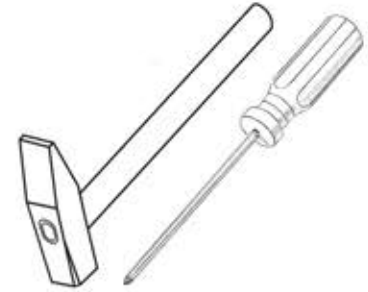


x4

x4

x4

x4





B0501 B0502 B0503 B0504

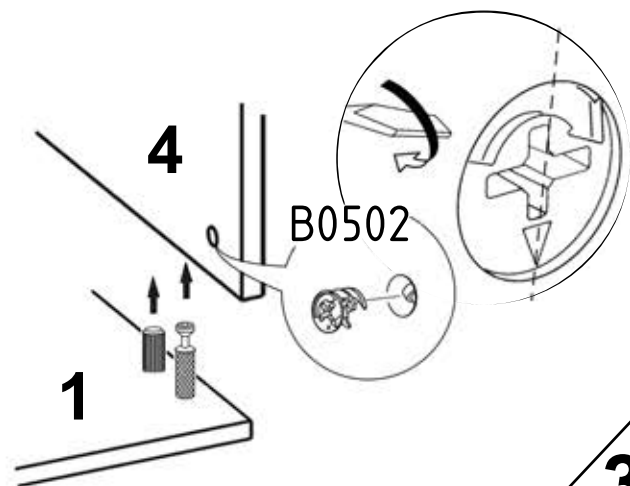
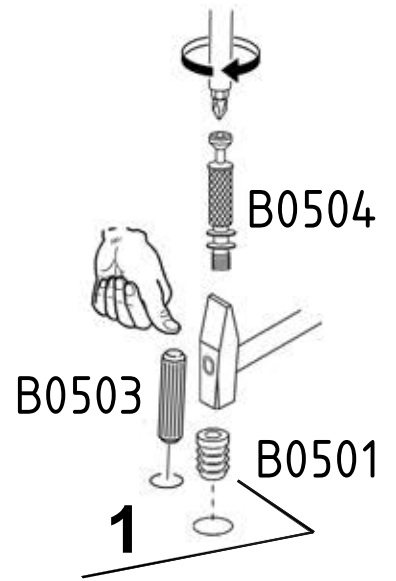
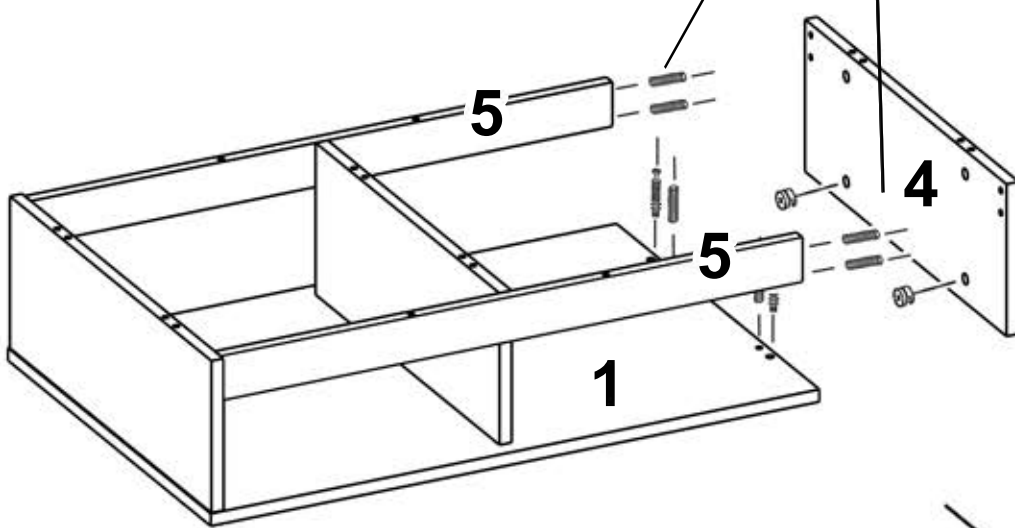
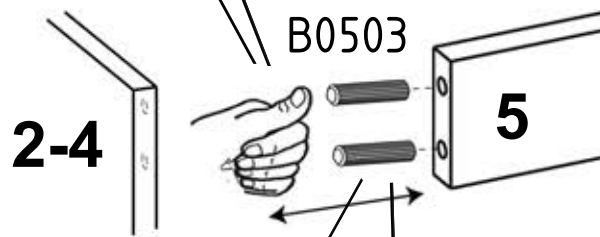
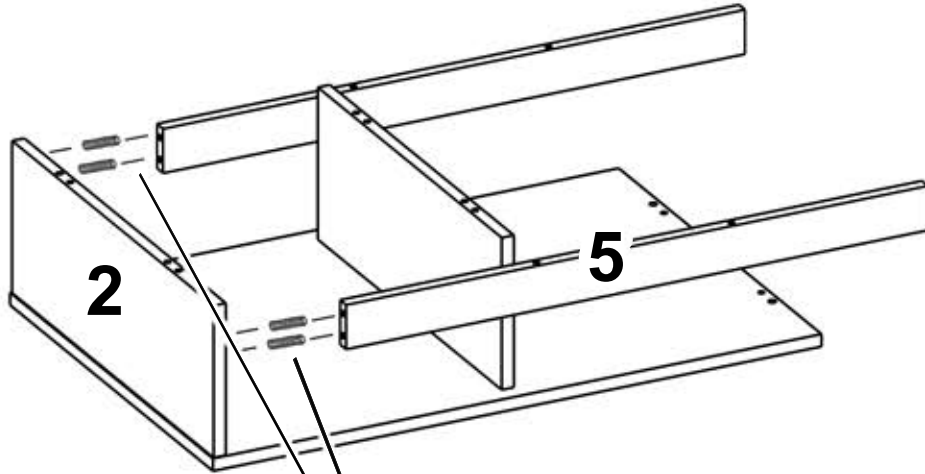
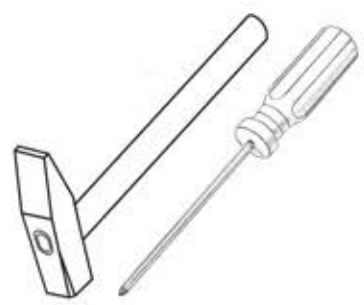


x2

x2

x10

x2





B0501 B0502 B0503 B0504 B1004 B0326



x6



x6



x10



x6



x4



x16

