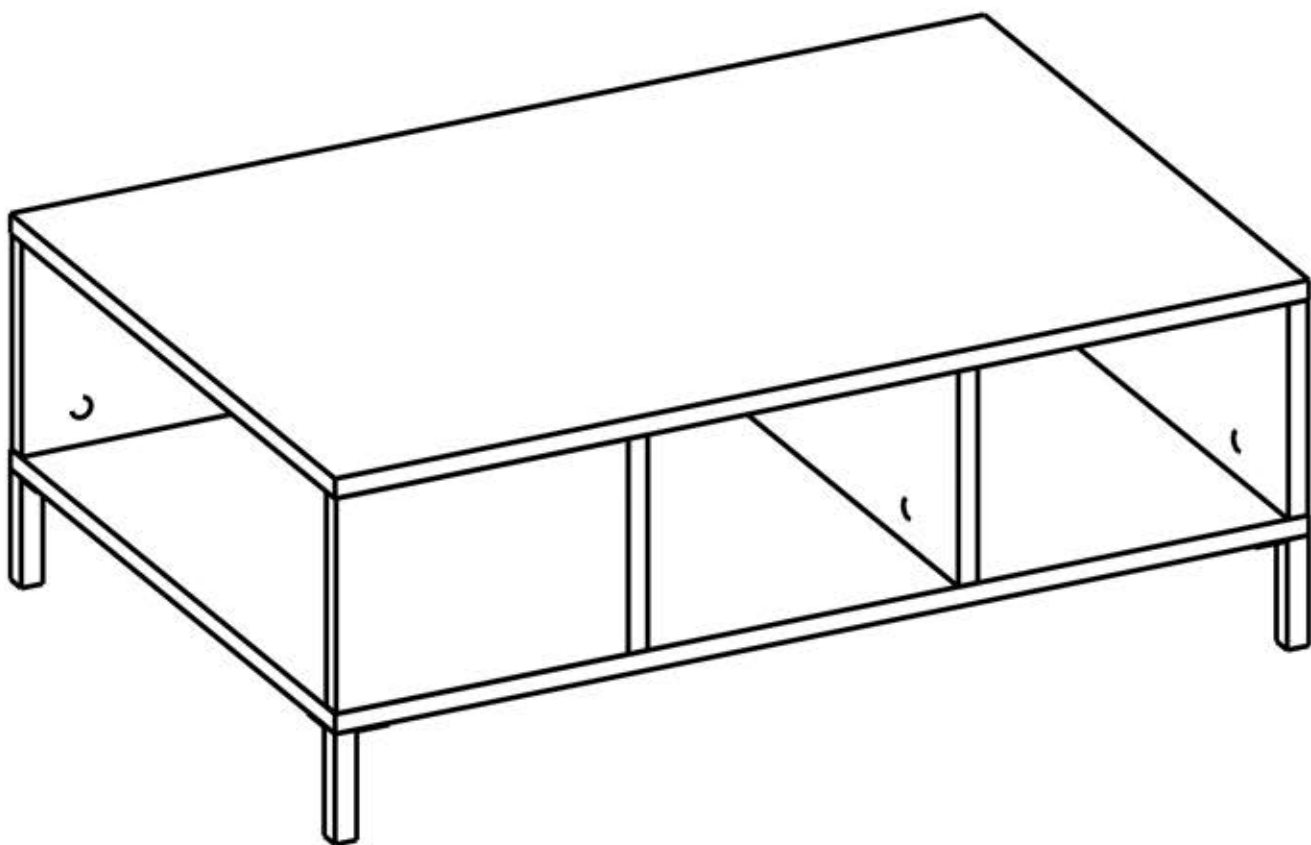







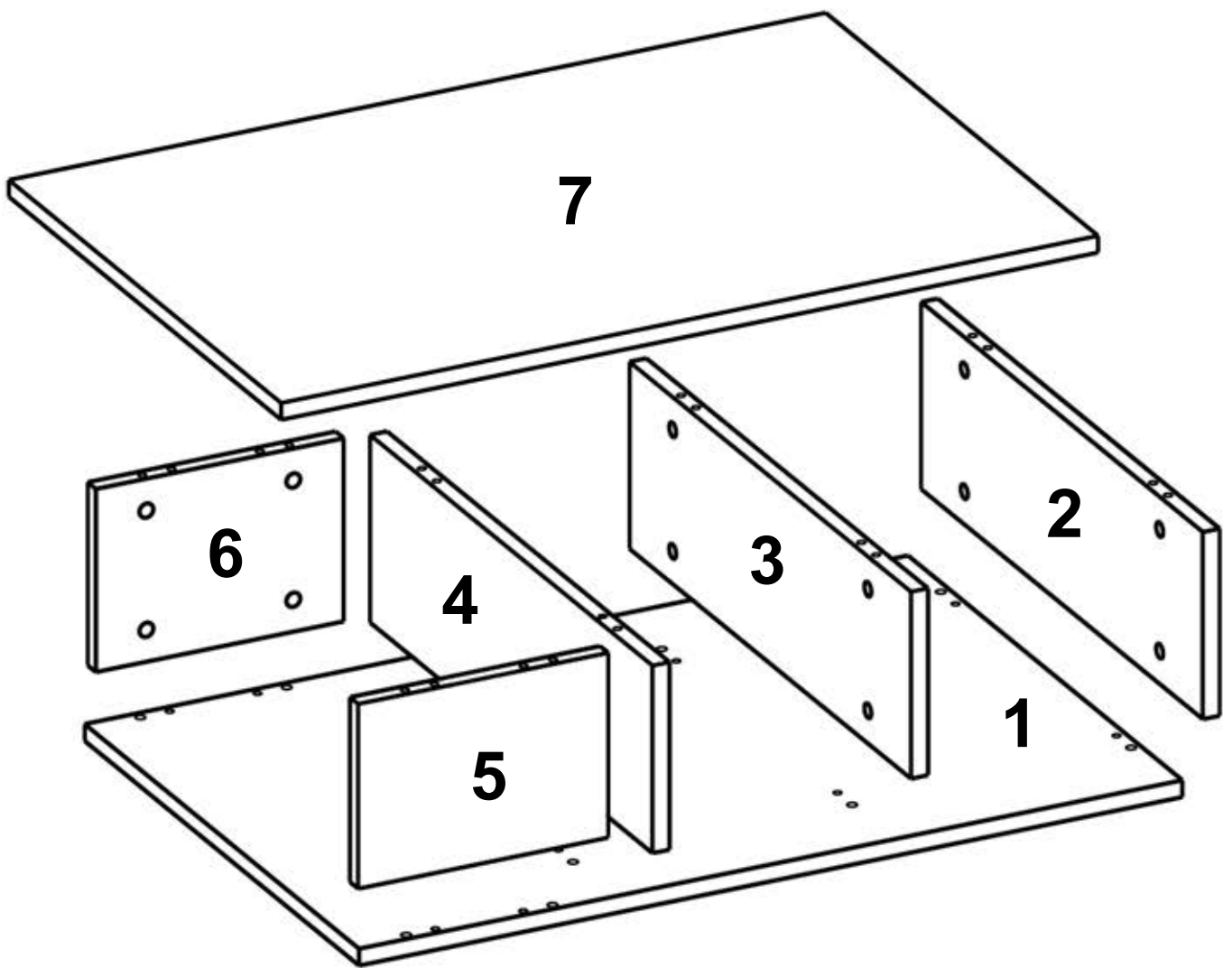


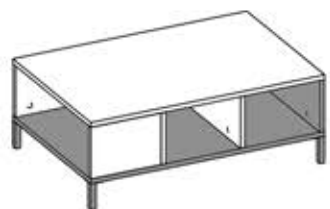
RL2



 <p>B0501 x21</p>	 <p>B0502 x21</p>	 <p>B0503 x21</p>	 <p>B0504 x21</p>	 <p>B0301 x12</p>
 <p>D0154 x4</p>	 <p>B1702 x4</p>			



B0301 D0154 B0501 B0502 B0503 B0504



x12



x4



x2



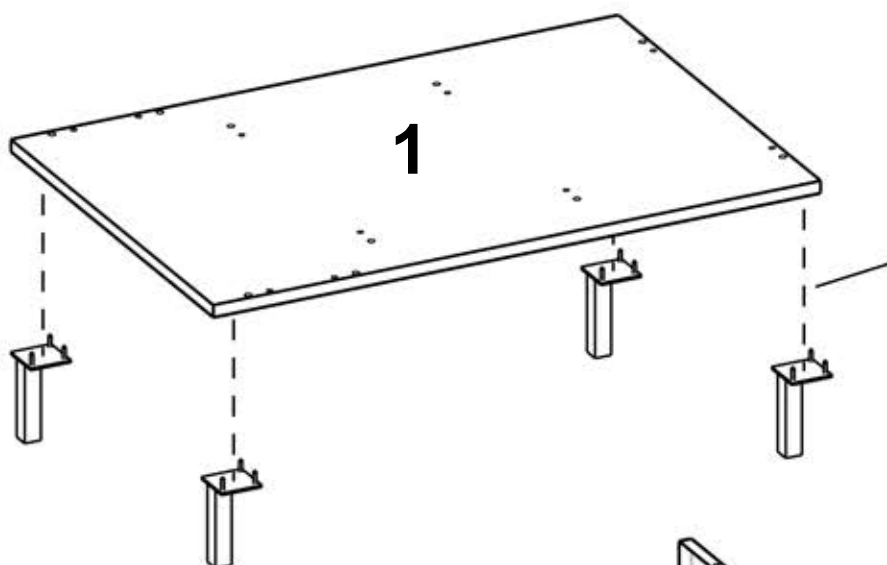
x2



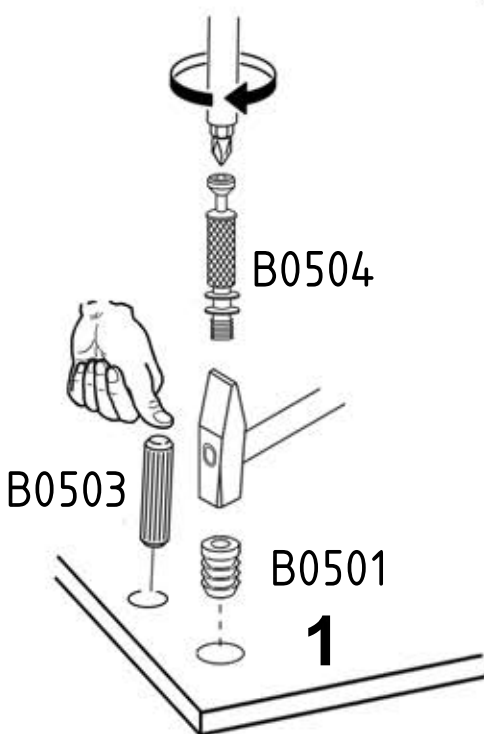
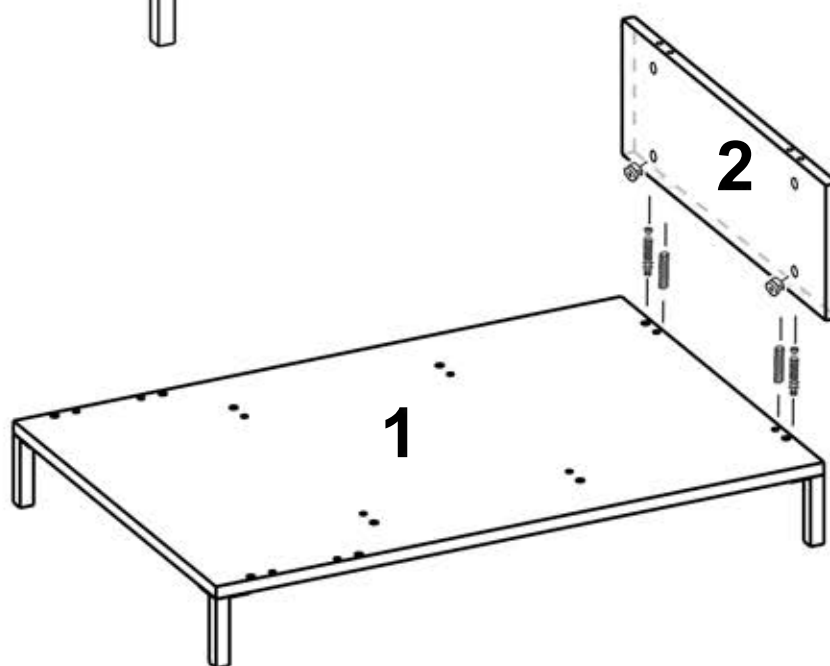
x2



x2



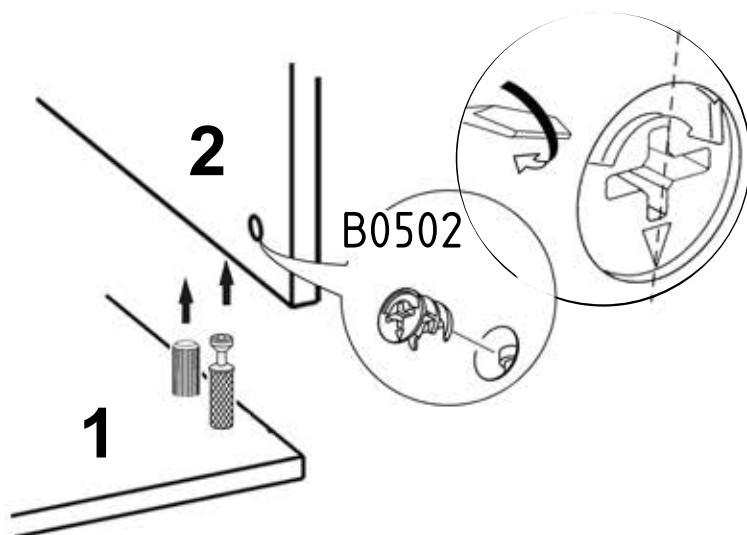
B0301



B0504

B0501

1

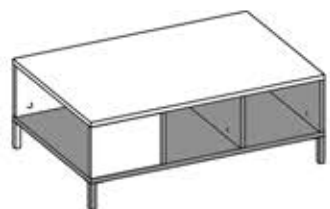


2

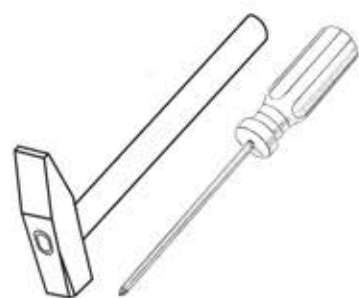
B0502

1

2



B0501 B0502 B0503 B0504

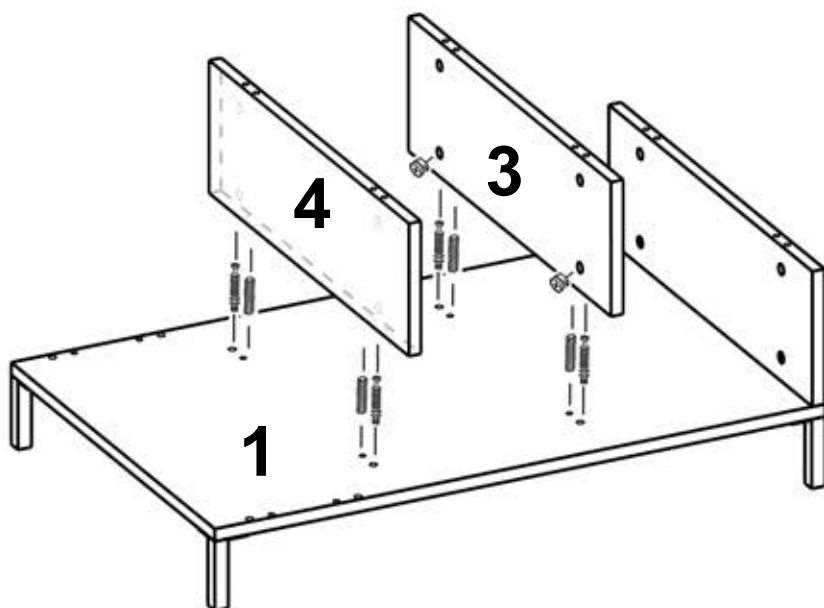


x4

x4

x4

x4



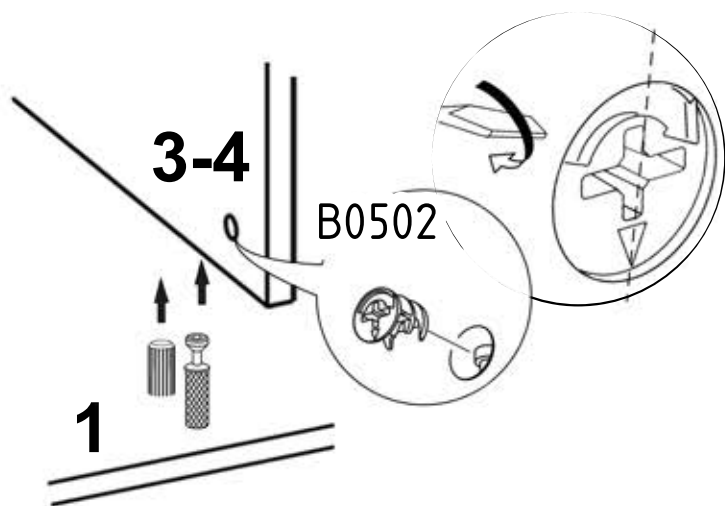
B0504



B0503

B0501

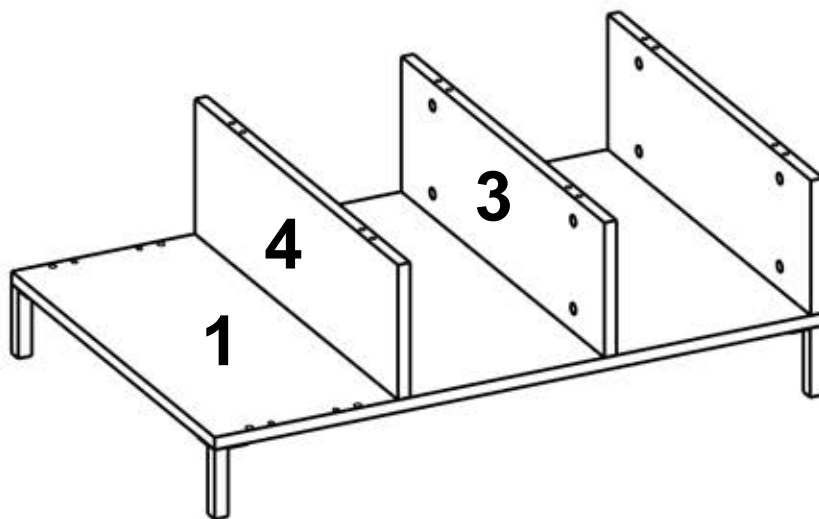
1



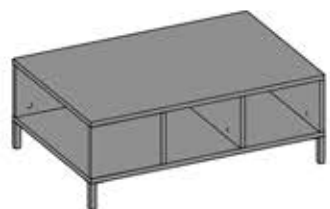
3-4

B0502

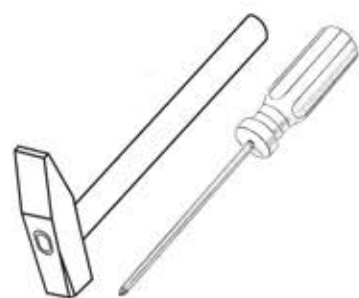
1



3



B0501 B0502 B0503 B0504 B1702



x14 x14 x14 x14 x4

