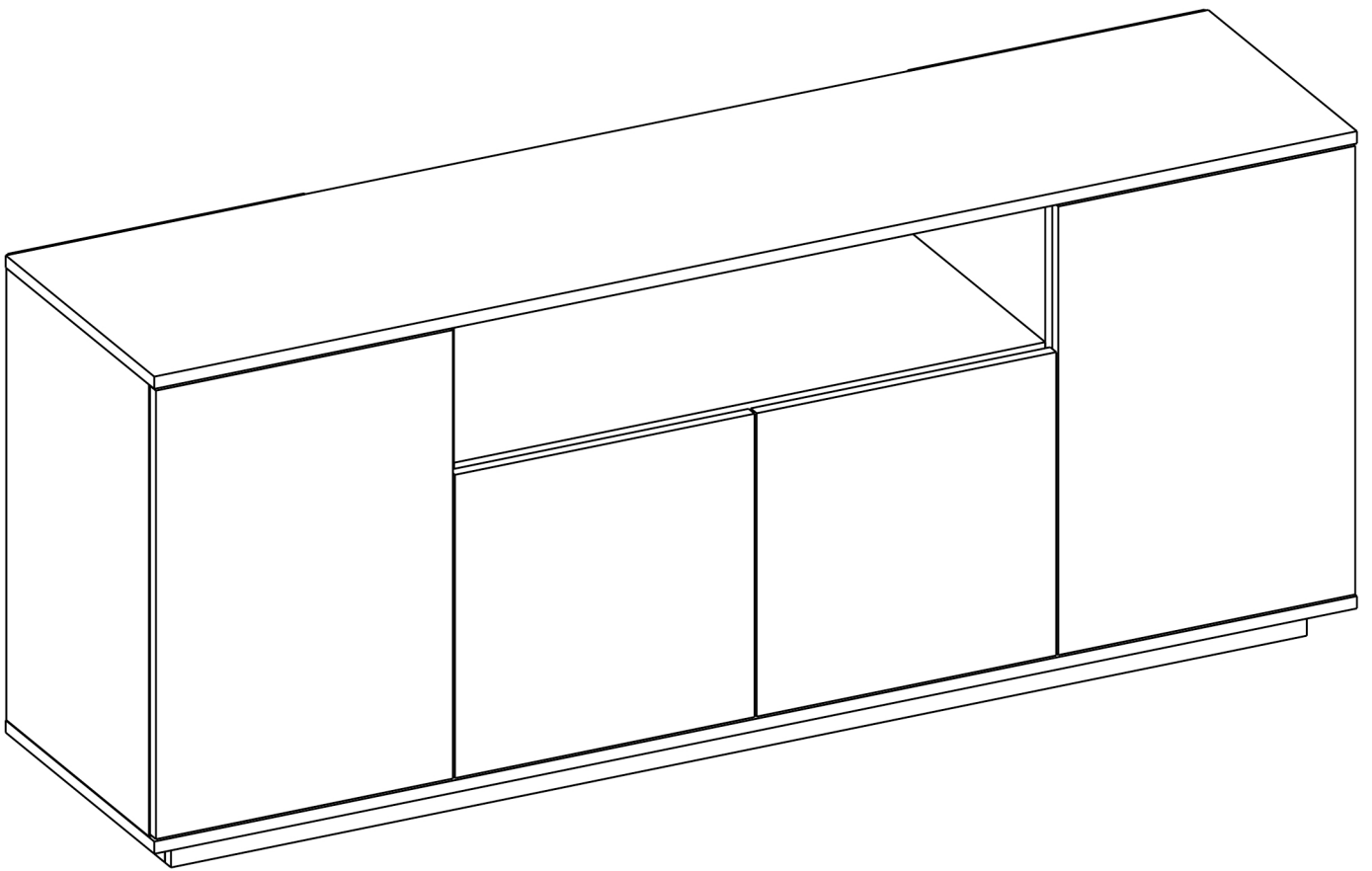


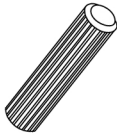
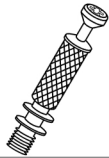



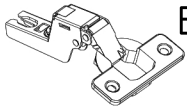
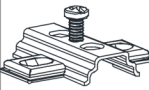
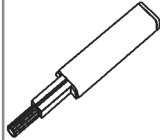
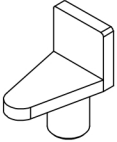

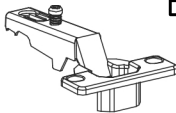
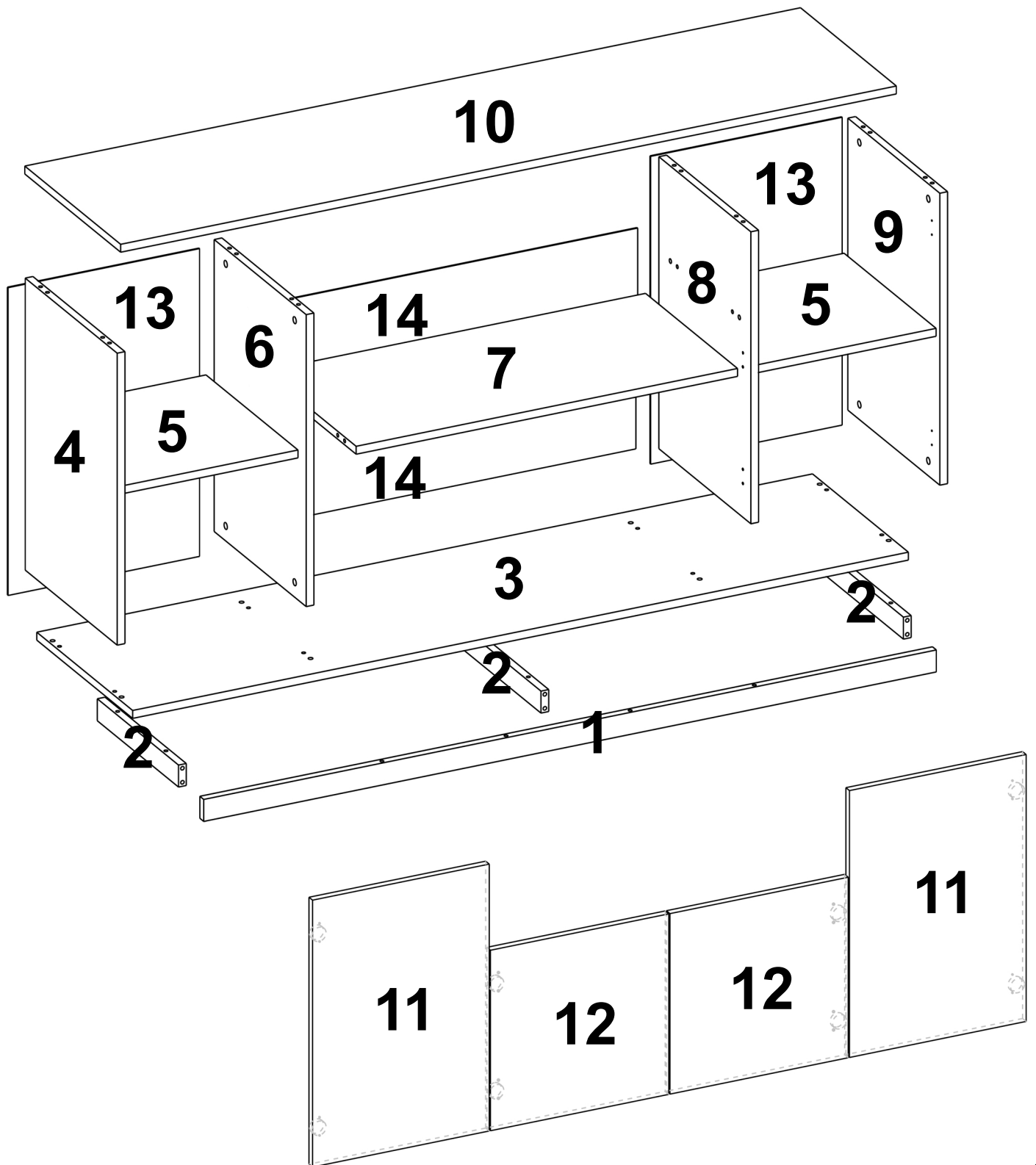
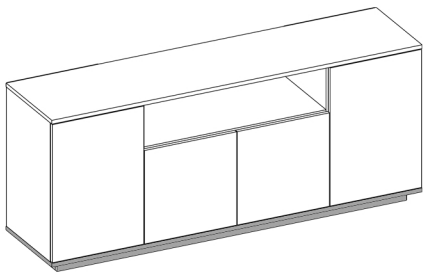


# FR15



 B0501 x20	 B0502 x20	 B0503 x26	 B0504 x20	 B0301 x40
 G0605 x0,903	 B0318 x55	 B0102 x4	 B0105 x8	 B1403 x4
 B0509 x8	 B0304 x10	 B0101 x4		





B0502

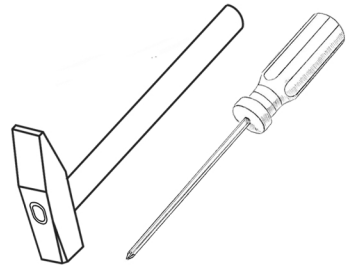


x10

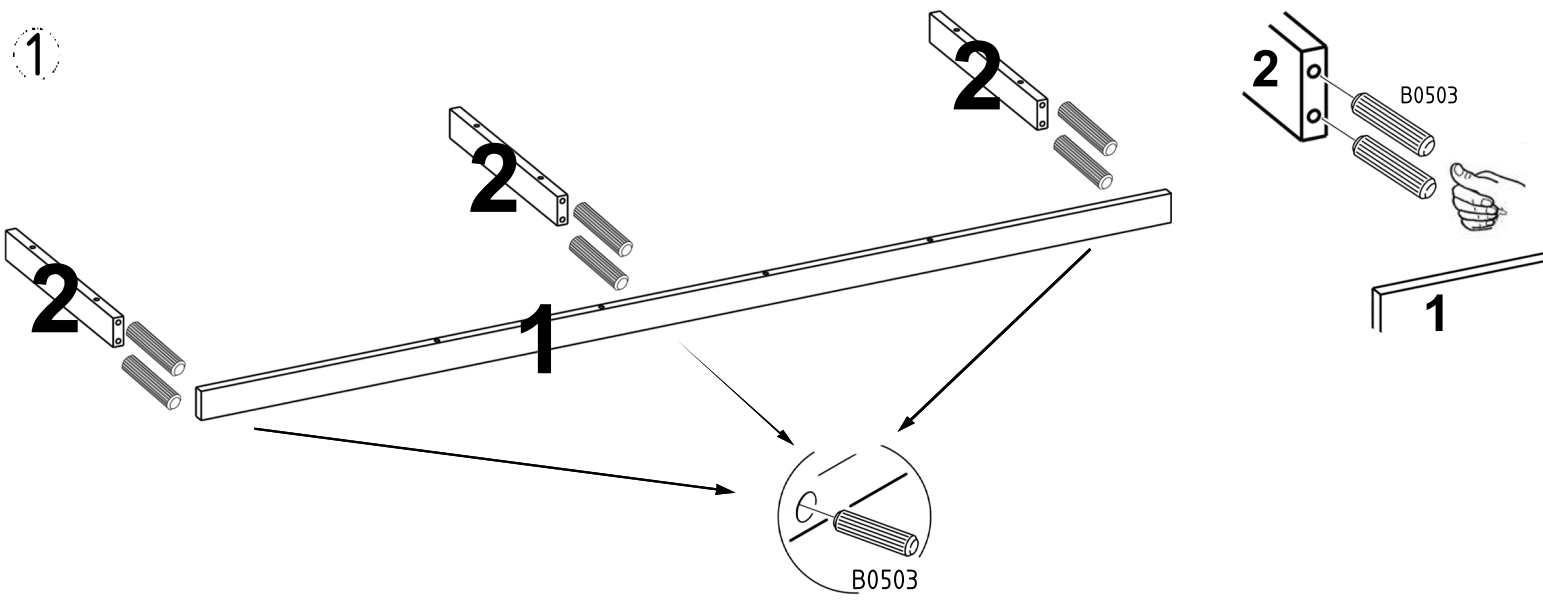
B0503



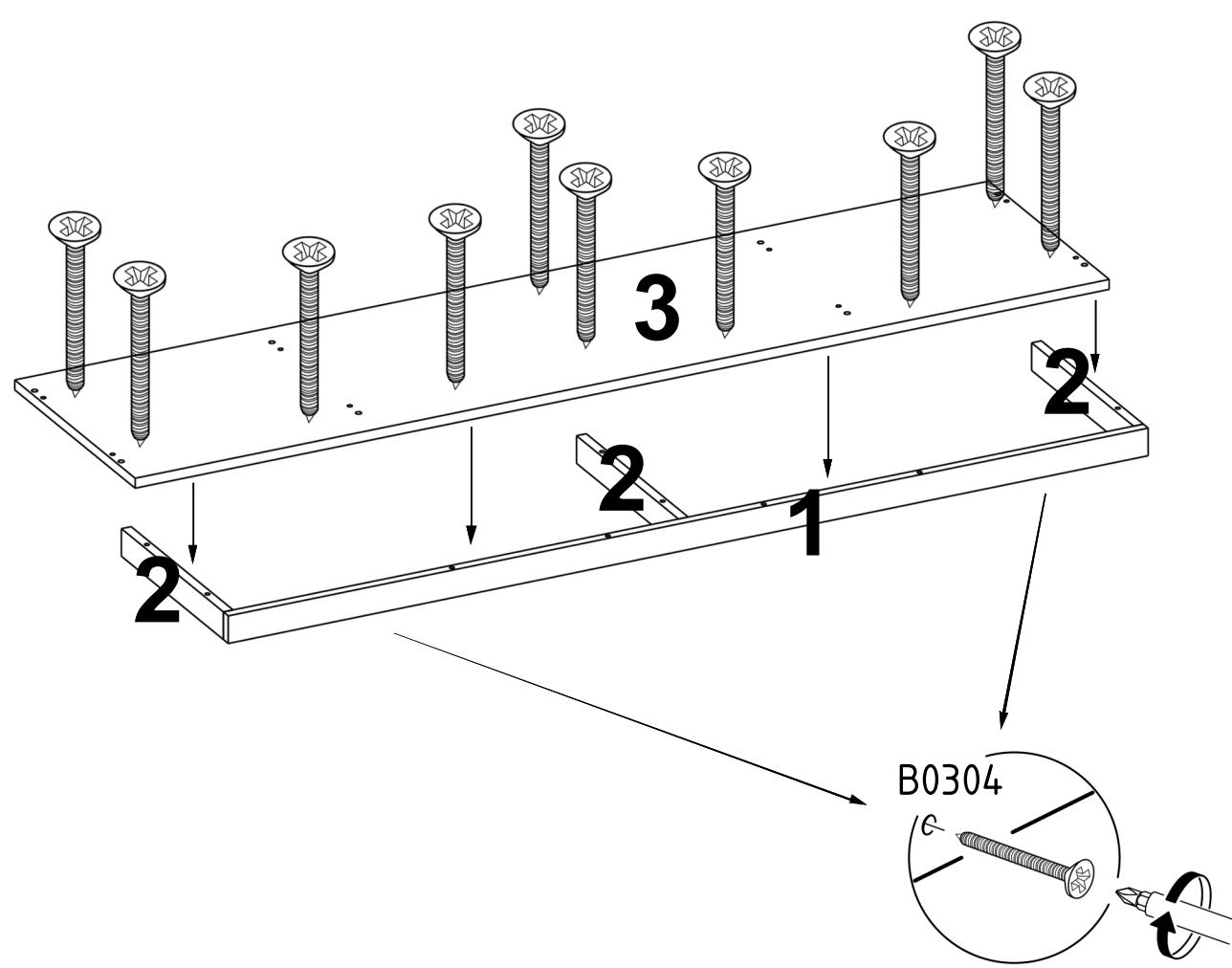
x6



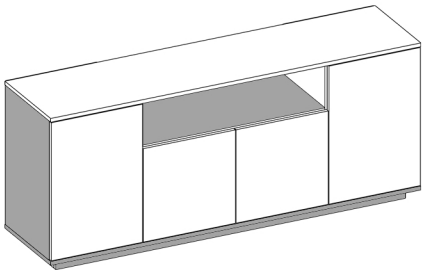
1



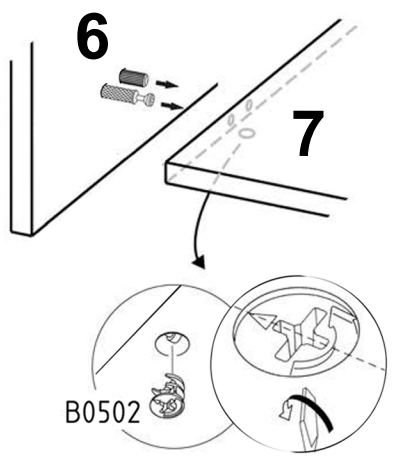
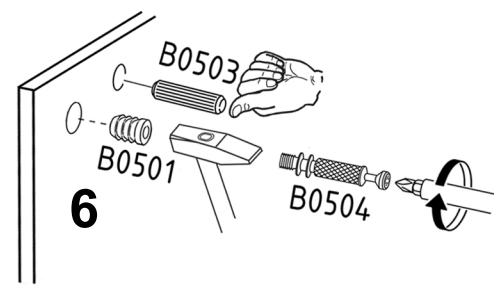
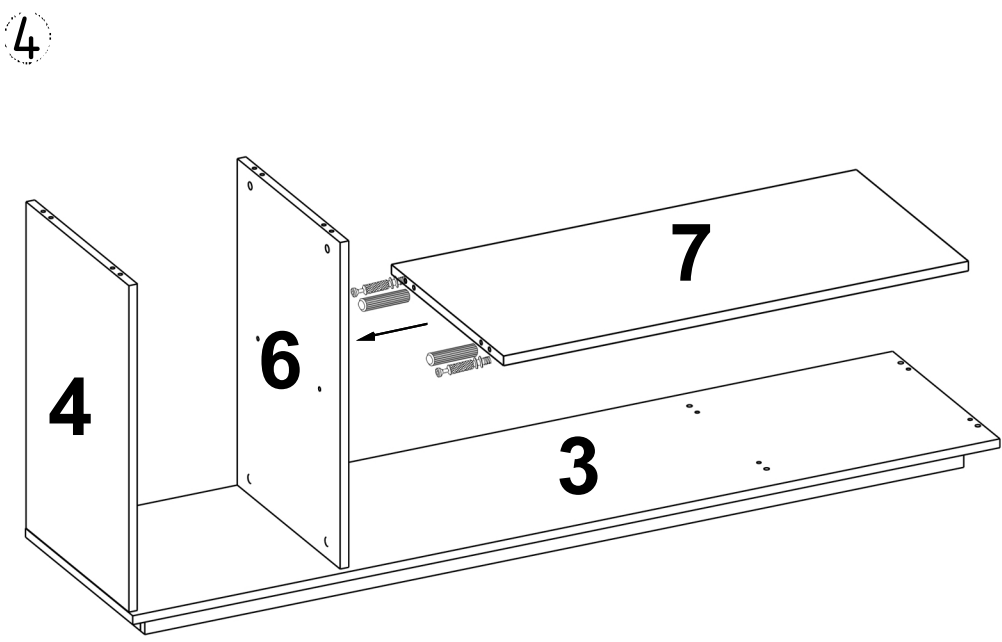
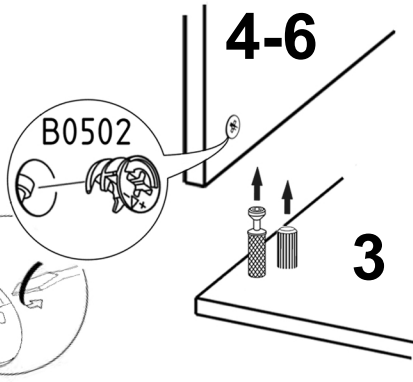
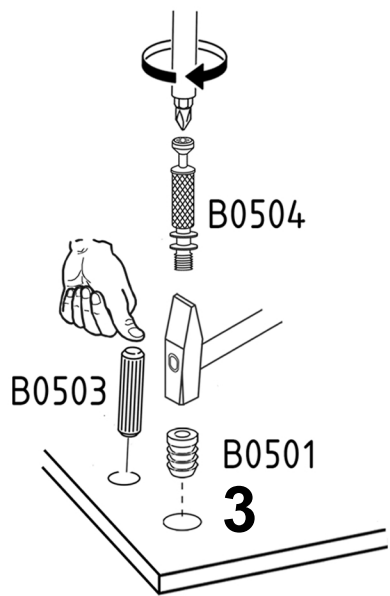
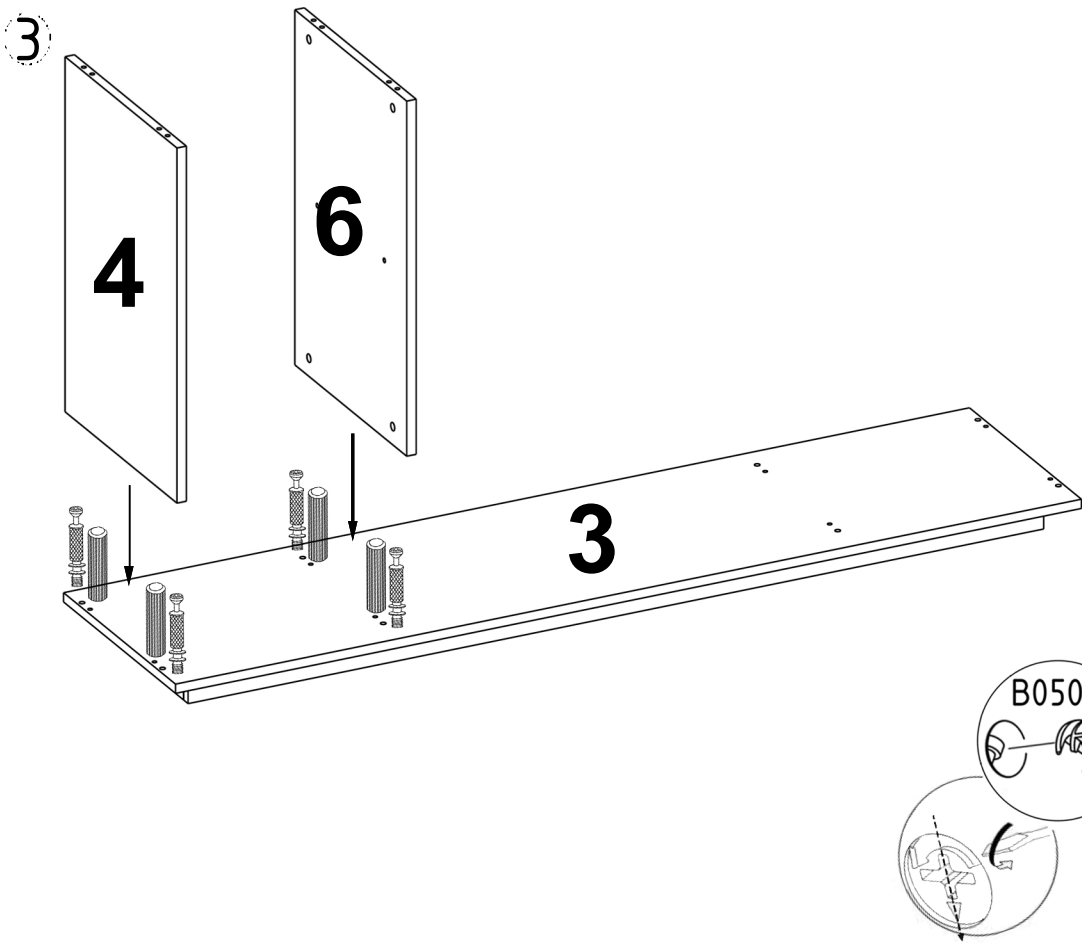
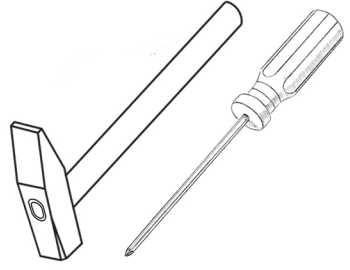
2

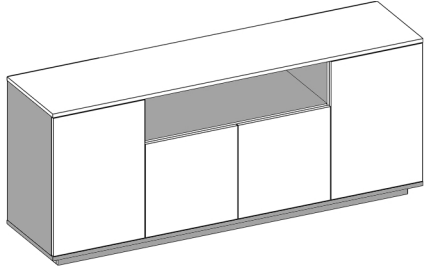


3



- B0502 x6
- B0503 x6
- B0504 x6
- B0501 x6



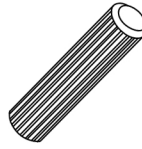


B0502

B0503

B0504

B0501

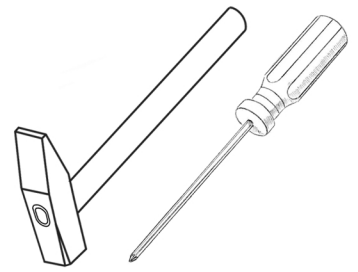


x6

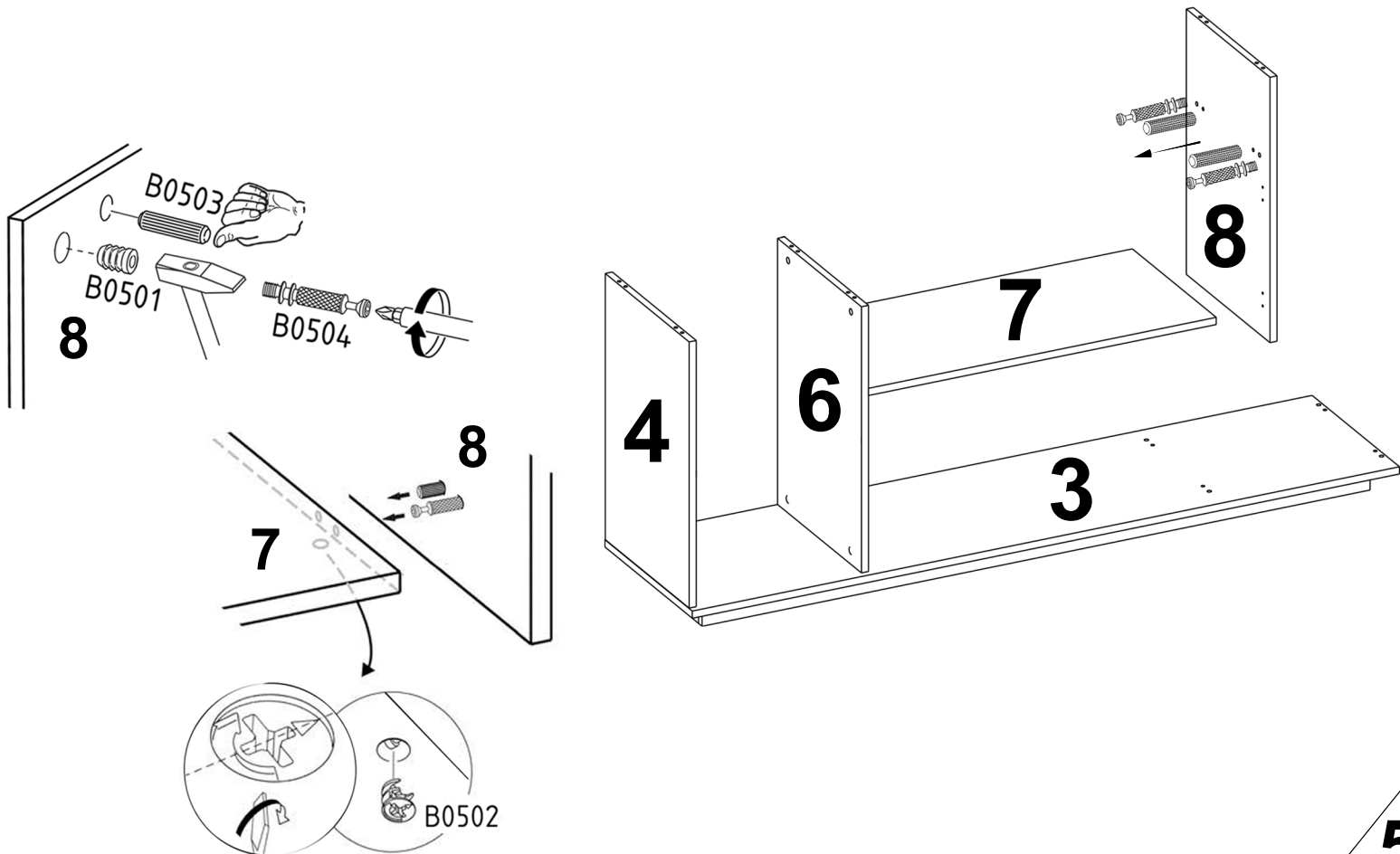
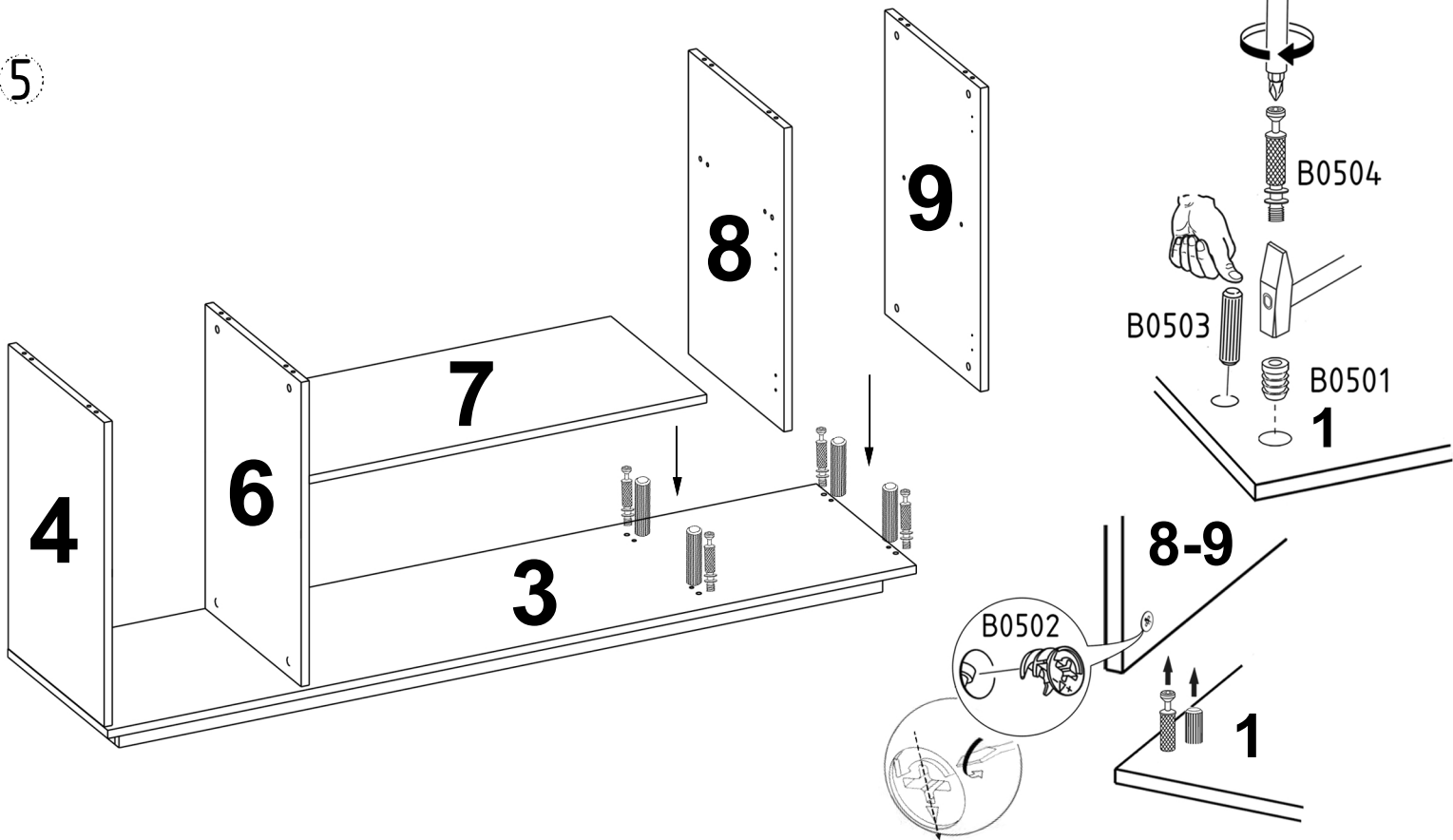
x6

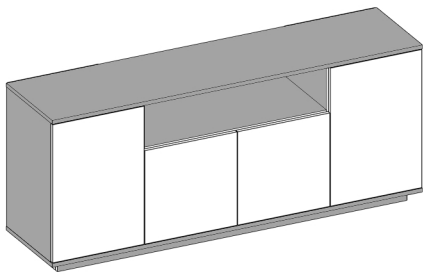
x6

x6



5





B0502

B0503

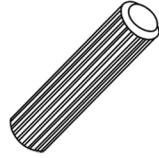
B0504

B0501

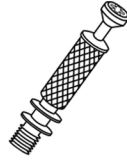
B0509



x8



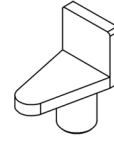
x8



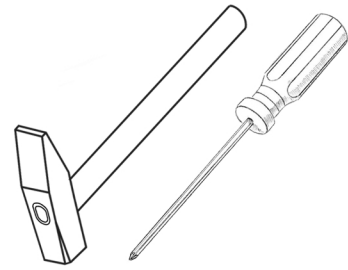
x8



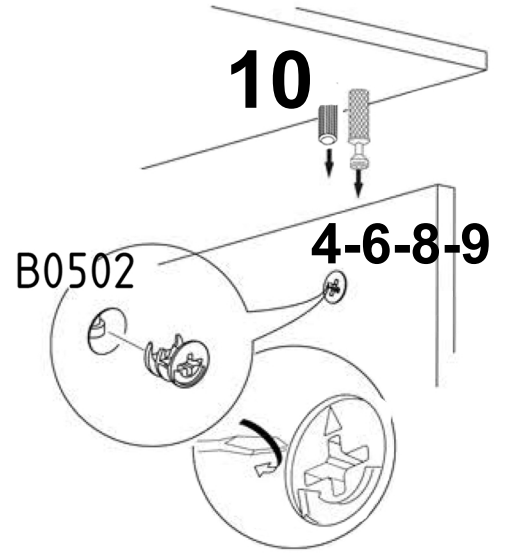
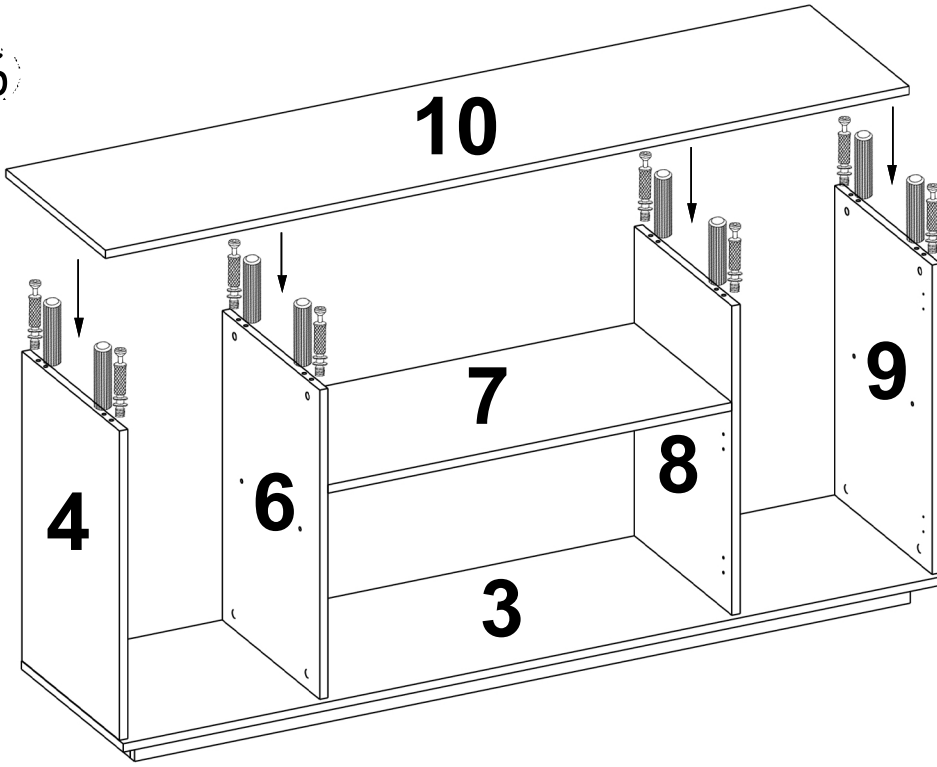
x8



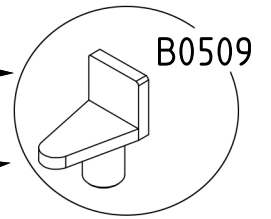
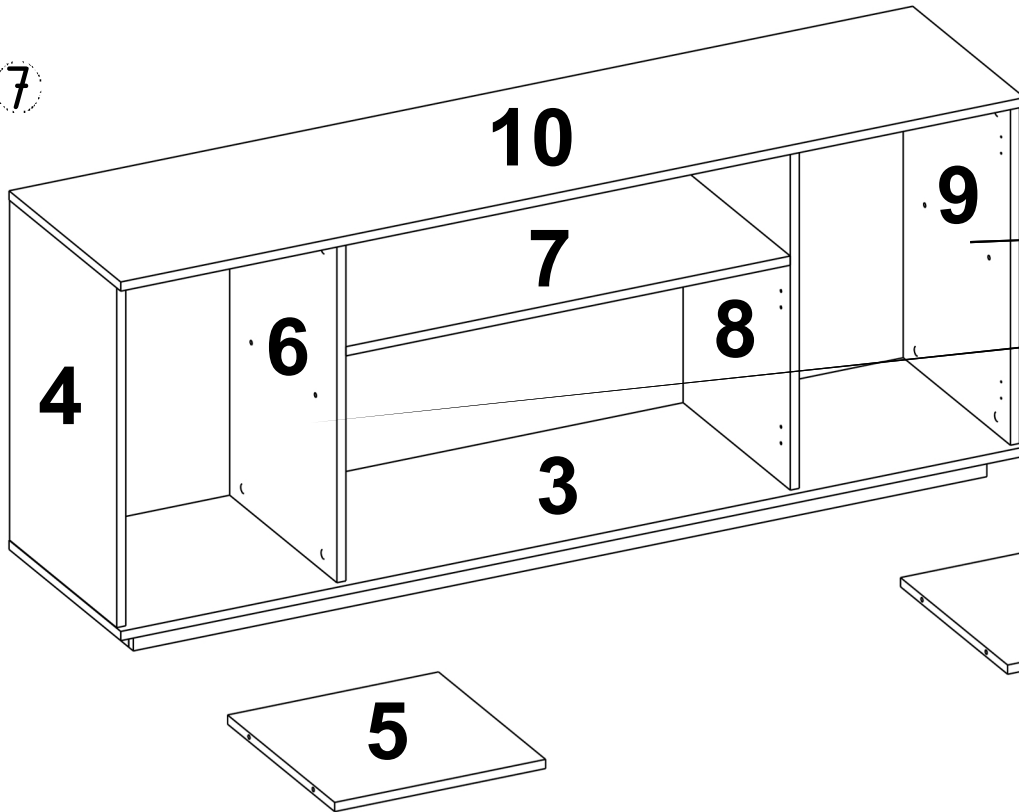
x8

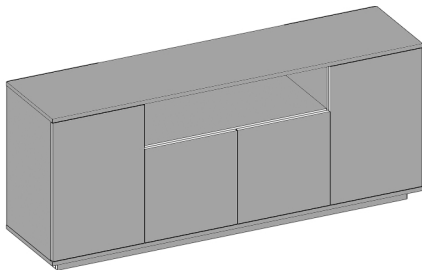


6



7



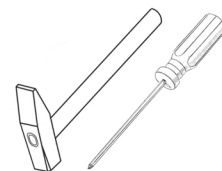
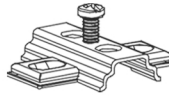
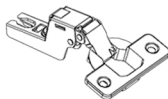
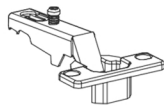


B0101

B0103

B0105

B0301



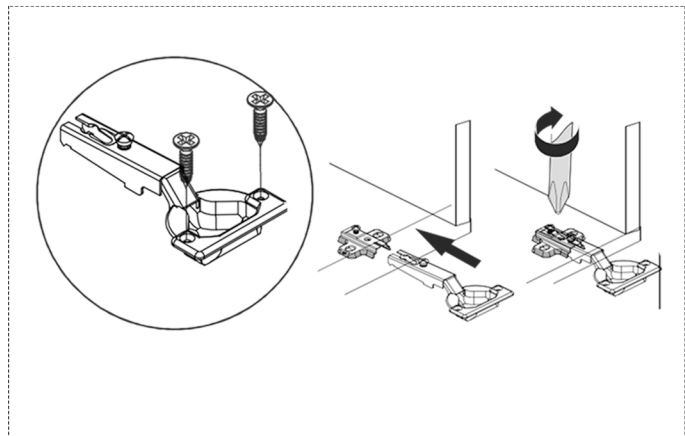
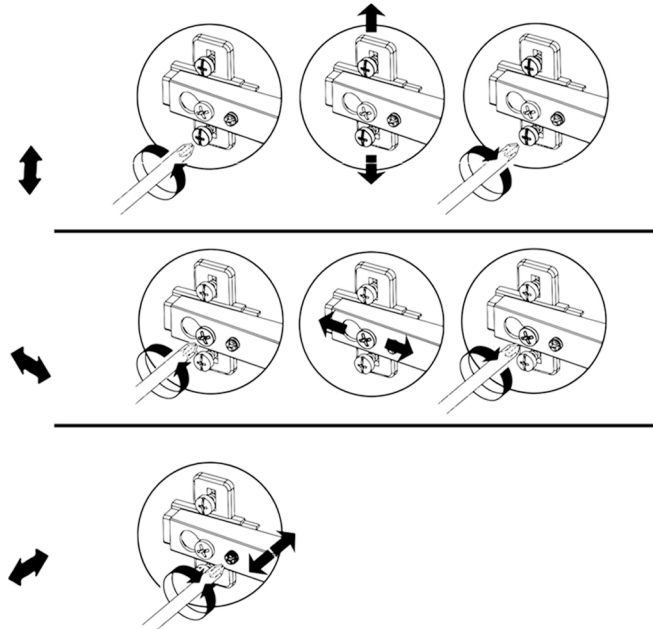
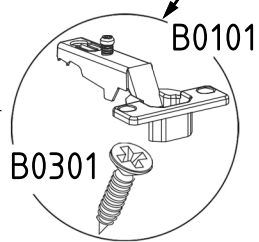
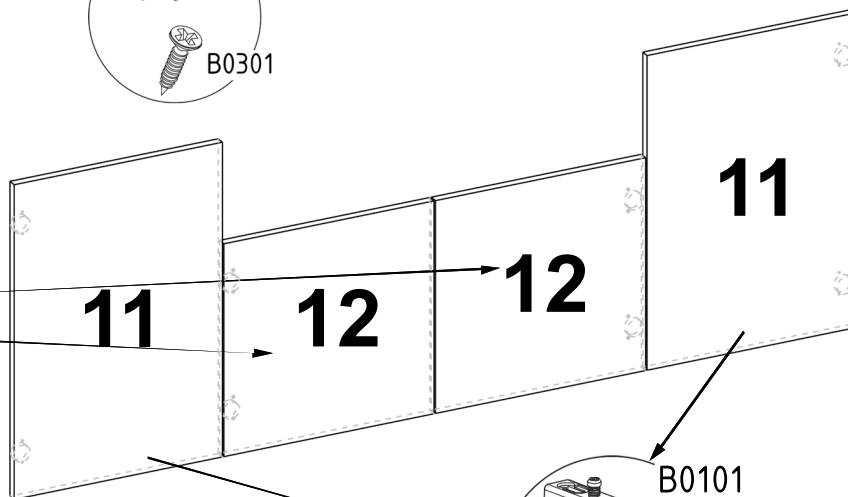
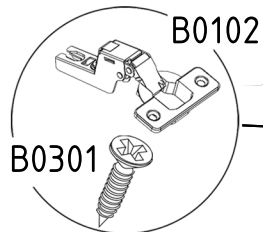
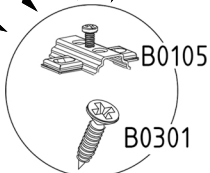
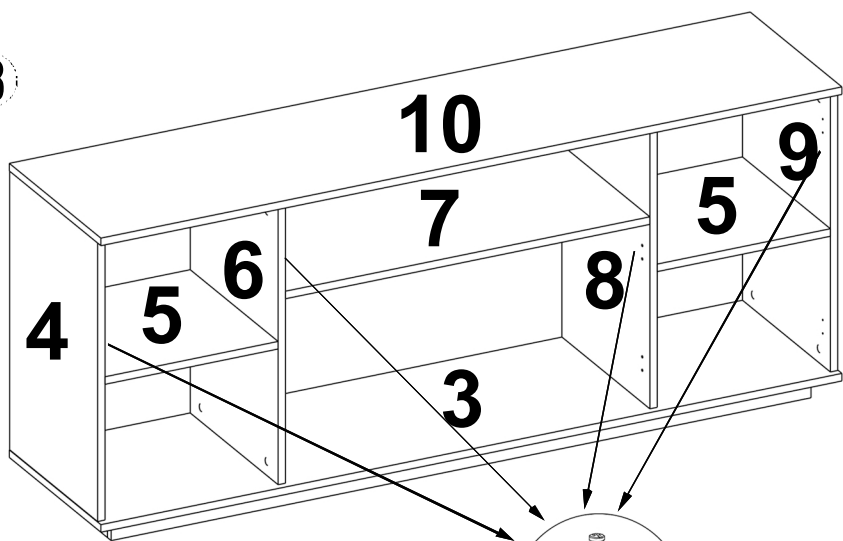
x4

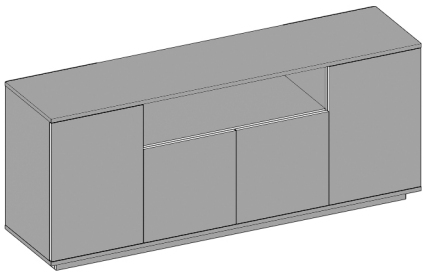
x4

x8

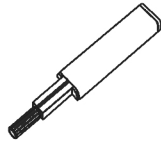
x32

8





B1403



x4

B0301

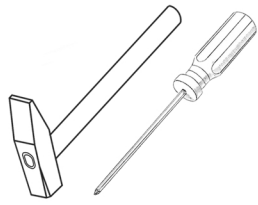


x8

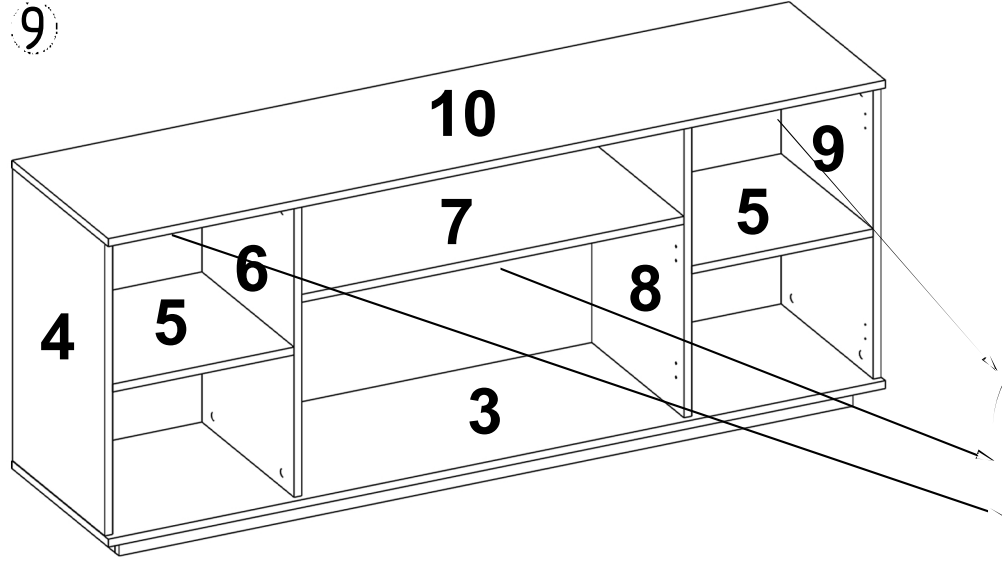
B0318



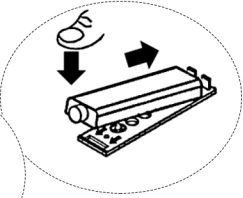
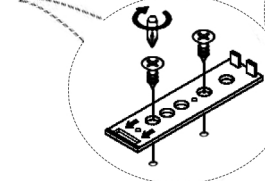
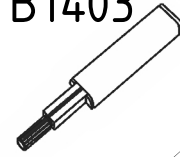
x55



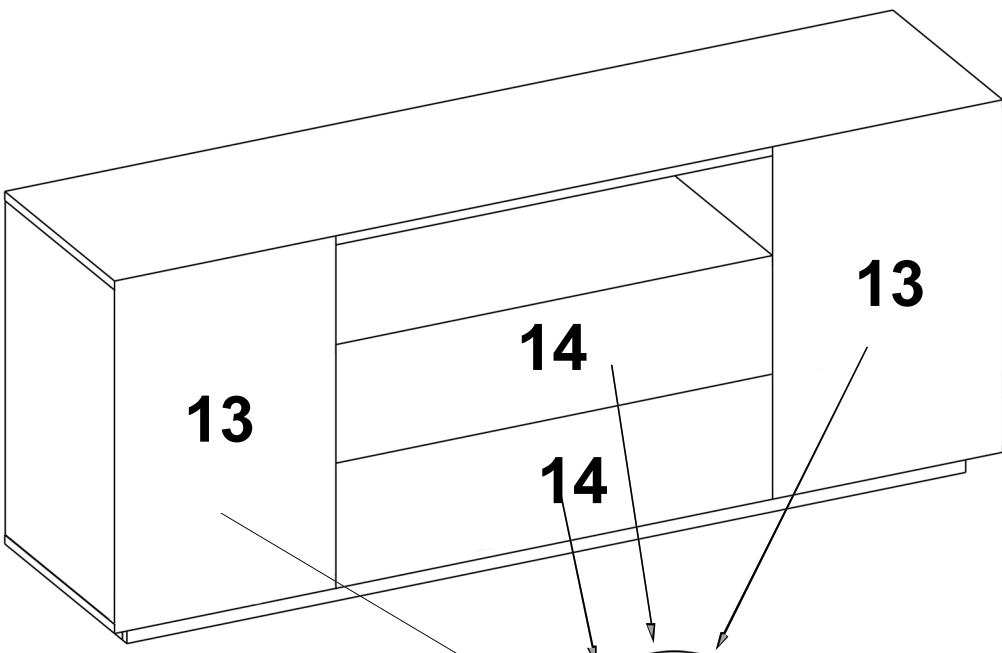
9



B1403



10



B0318

