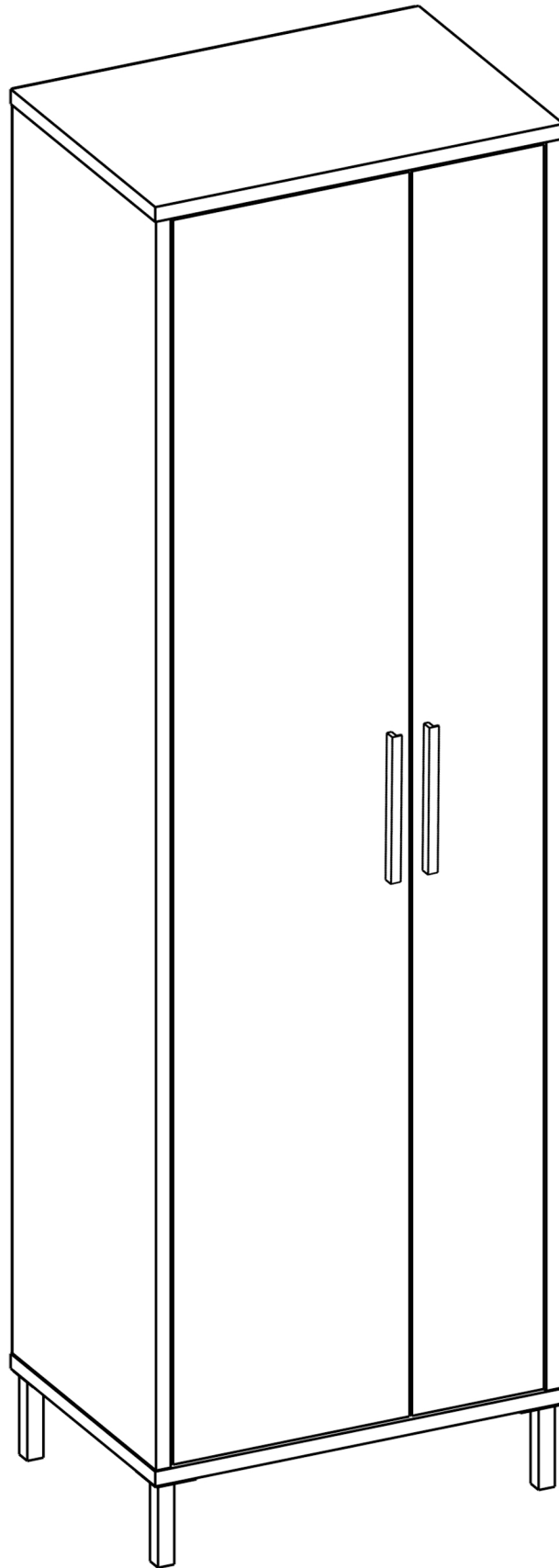


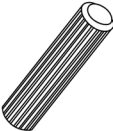
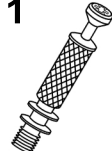

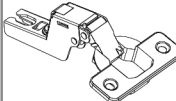
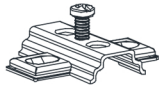
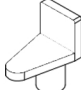
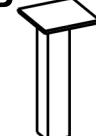
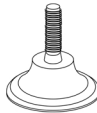



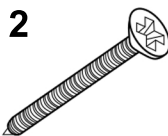
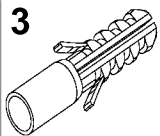
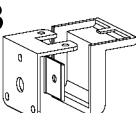
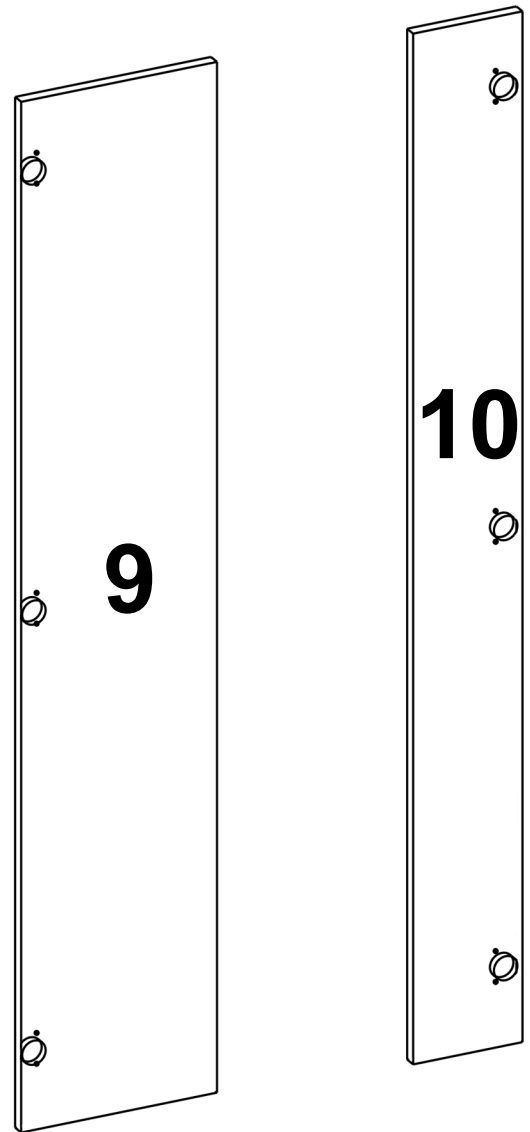
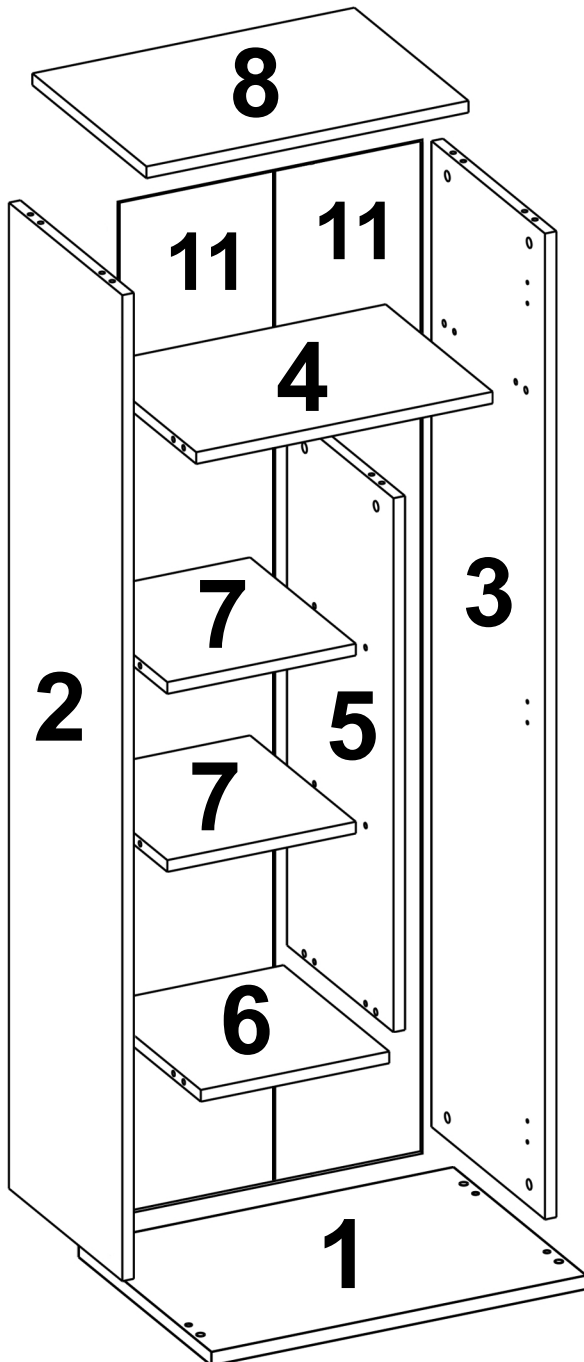
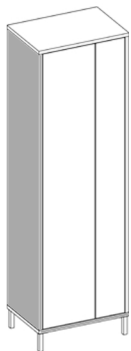


DY1

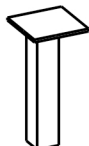


1  B0501 x19	1  B0502 x19	1  B0503 x19	1  B0504 x19	2  B0301 x39
3  B0103 x6	3  B0105 x6	1  B0509 x8	P  D0154 x4	2  B1702 x4
2  B0307 x4	P  B0201 x2	2  B0318 x28	2  B0306 x1	3  B0317 x1
3  B1303 x1				





D0154



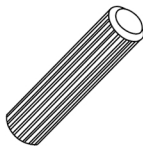
x4

B0502



x2

B0503



x2

B0504



x2

B0501

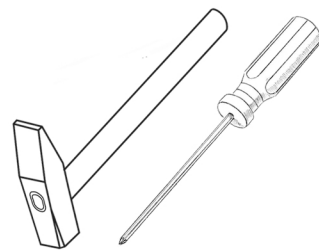


x2

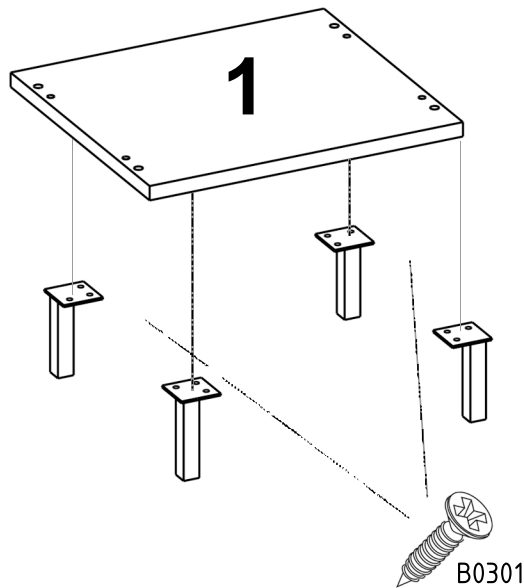
B0301



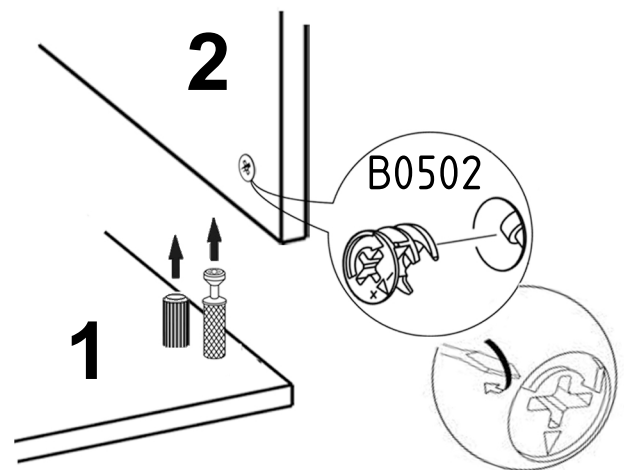
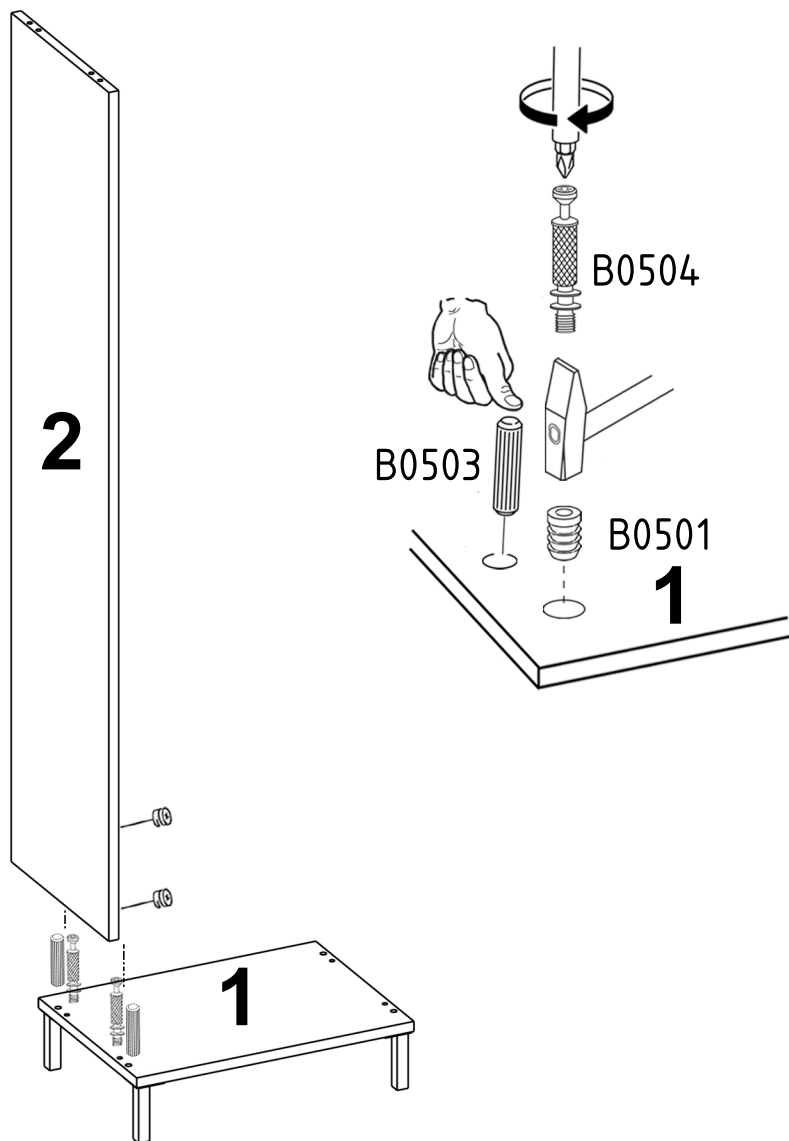
x12



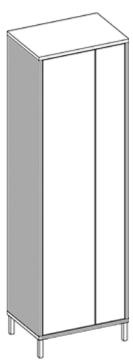
1



2



3

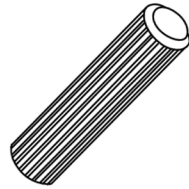


B0502



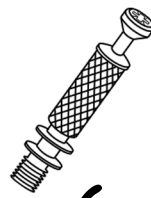
x6

B0503



x6

B0504

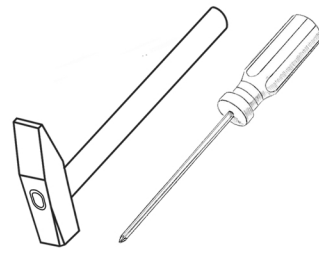


x6

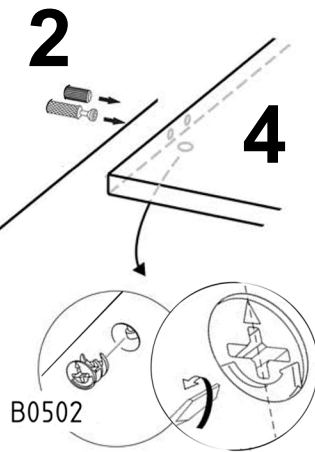
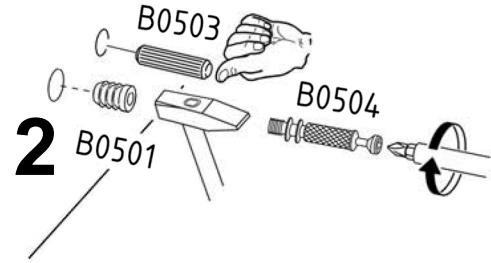
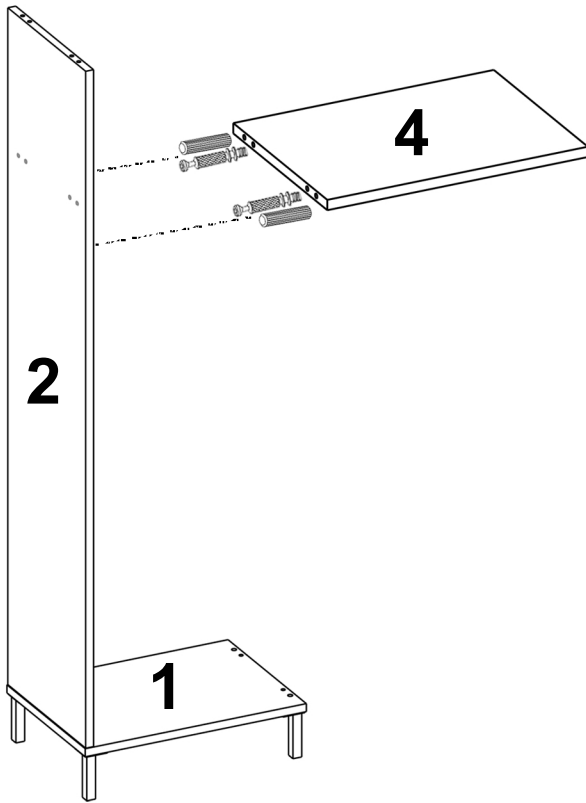
B0501



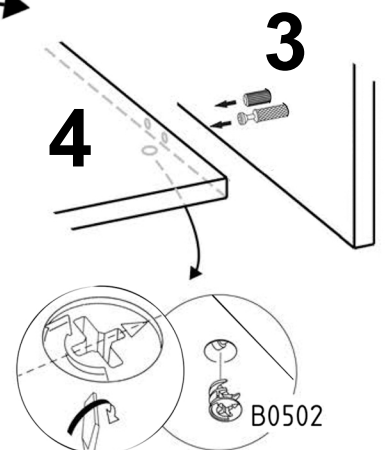
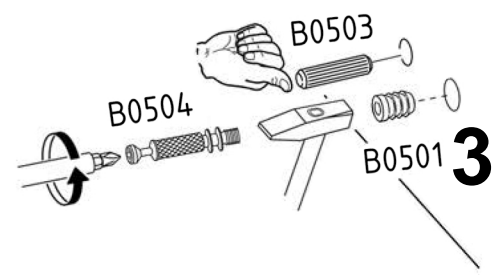
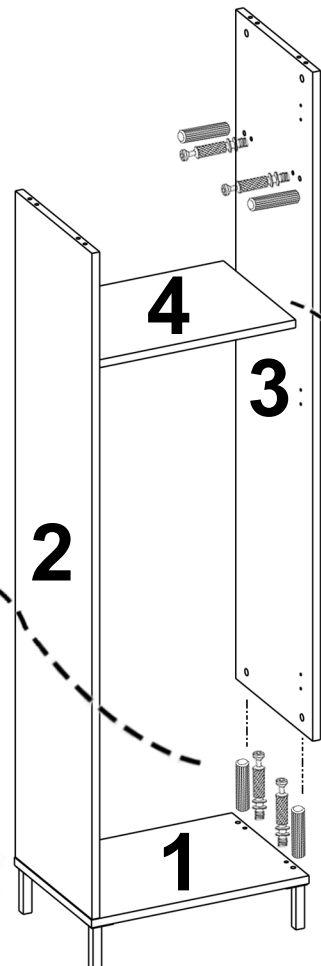
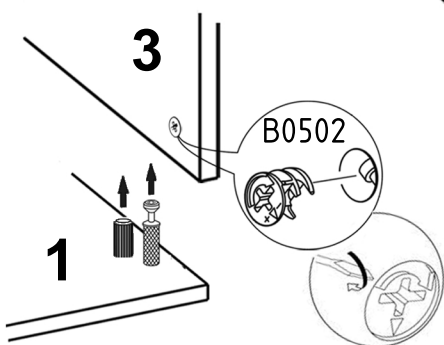
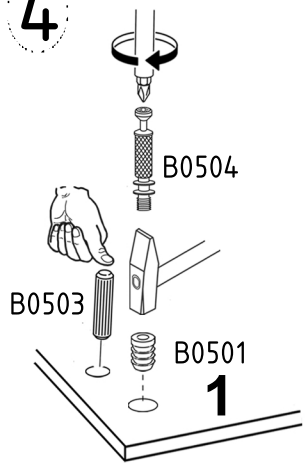
x6



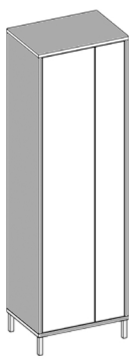
3



4



4

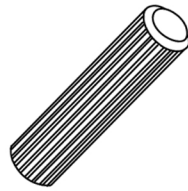


B0502



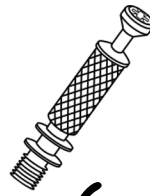
x6

B0503



x6

B0504

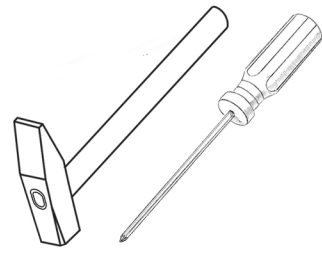


x6

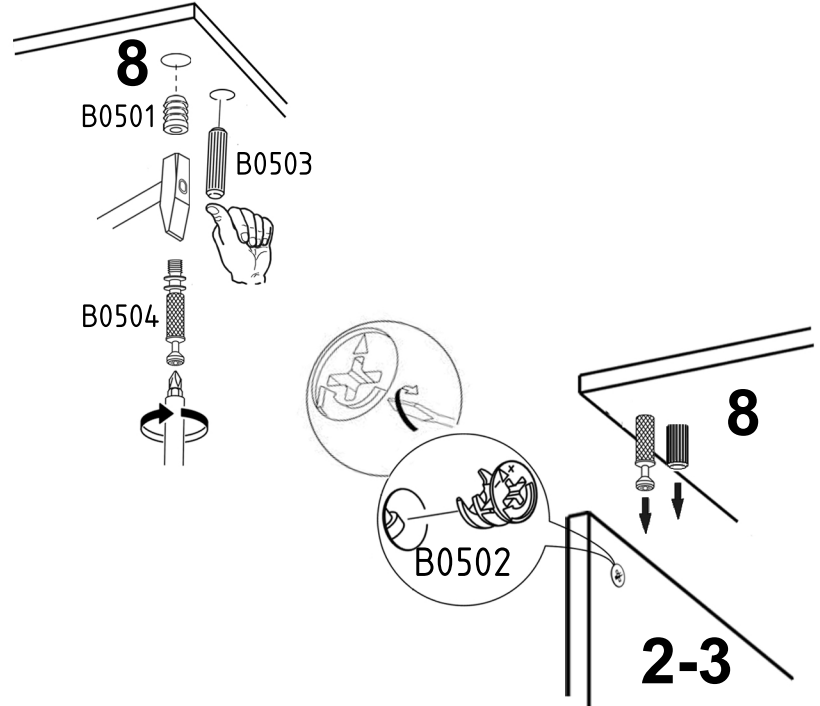
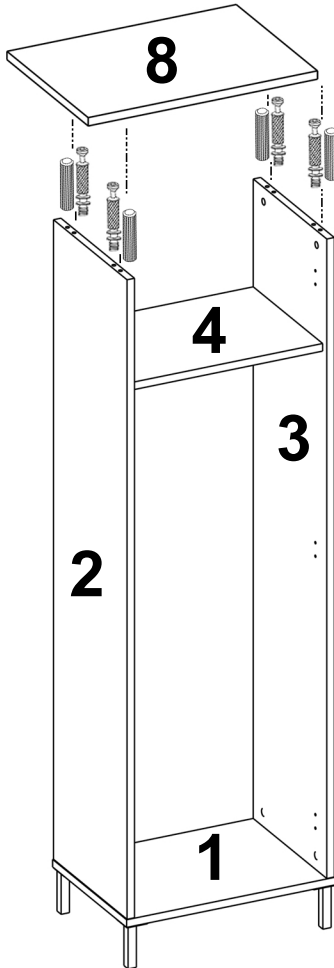
B0501



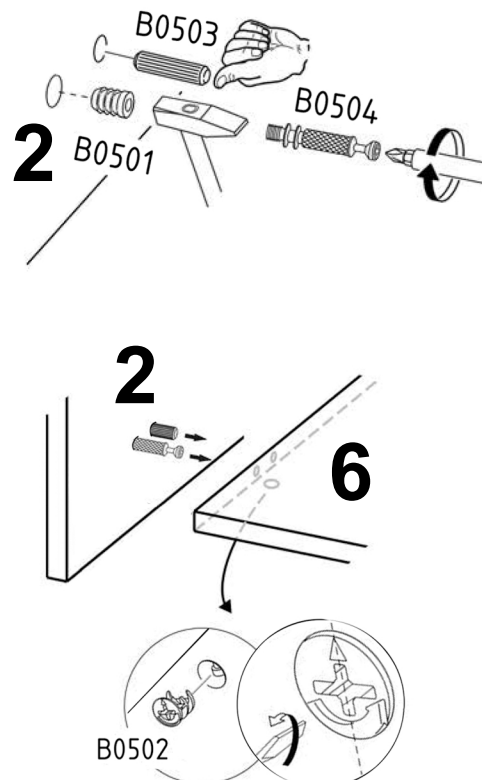
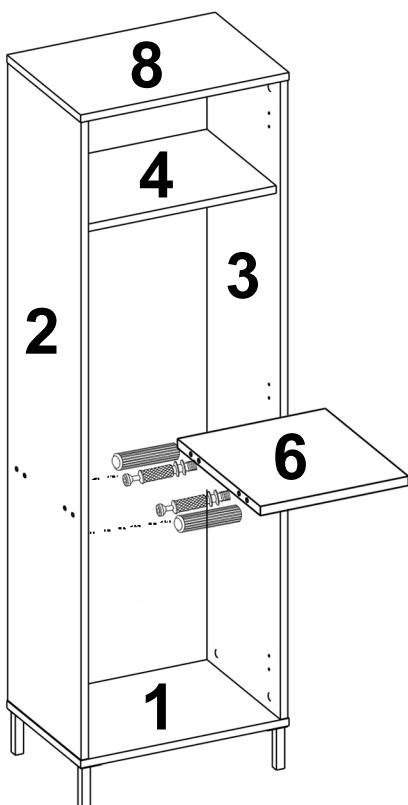
x6

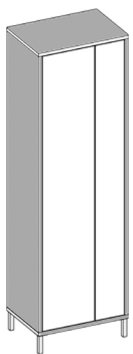


5



6



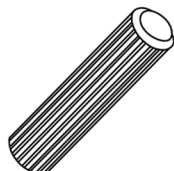


B0502



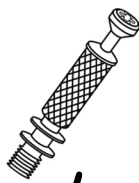
x4

B0503



x4

B0504



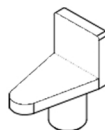
x4

B0501

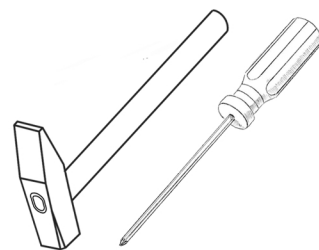


x4

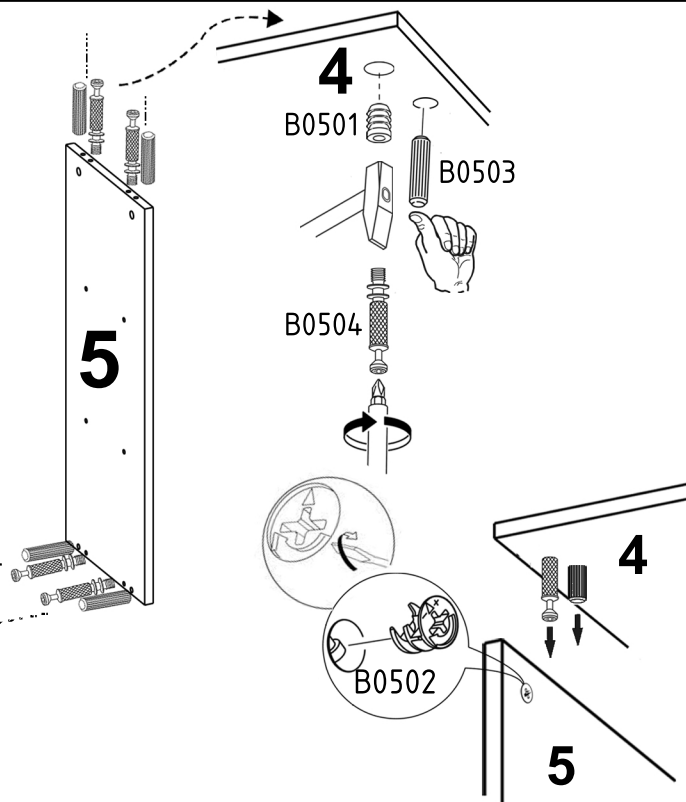
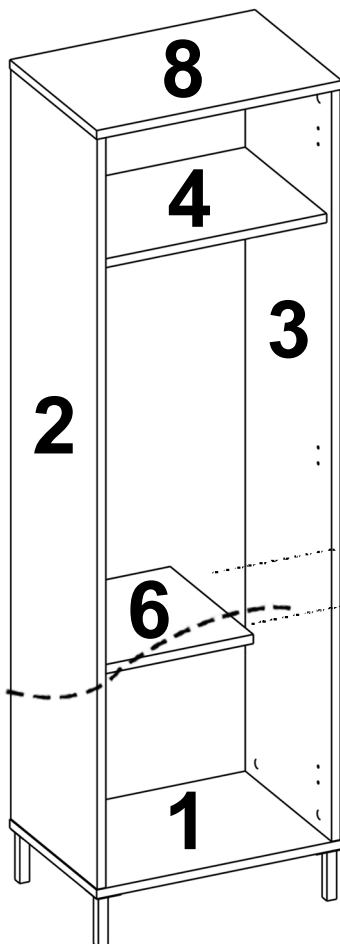
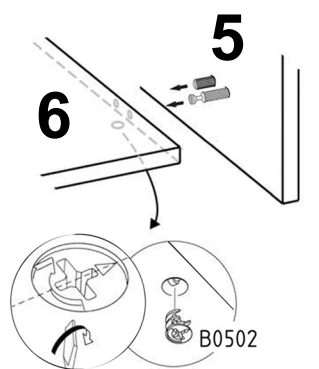
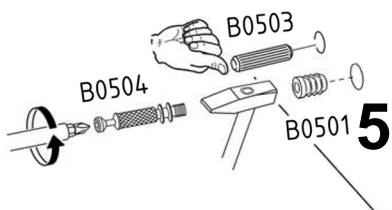
B0509



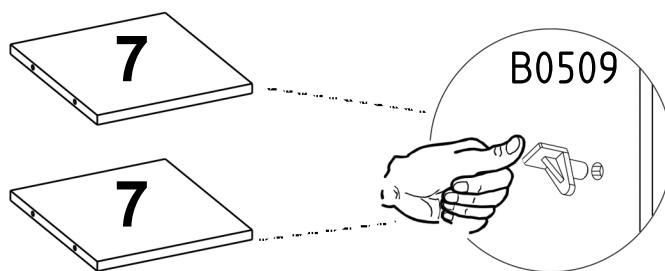
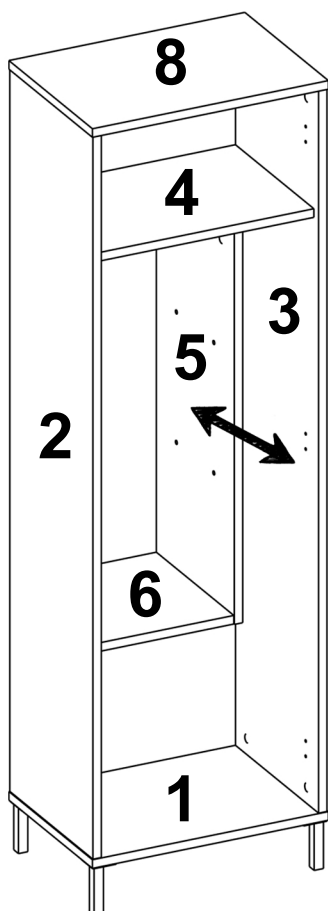
x8



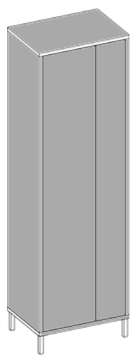
7



8



6



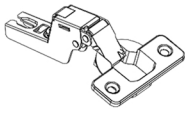
B0103

B0105

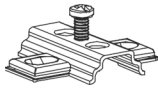
B0301

B0307

B0201



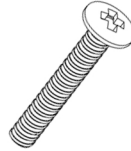
x6



x6



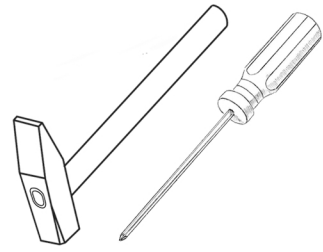
x24



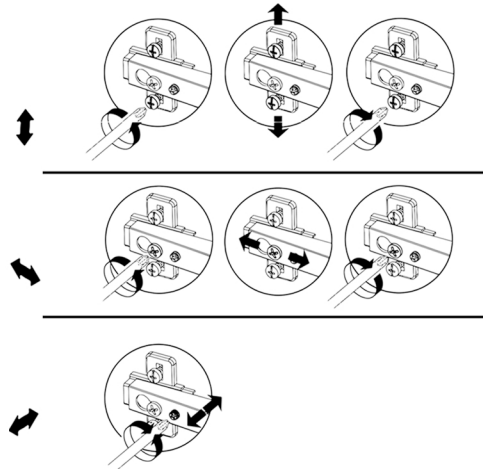
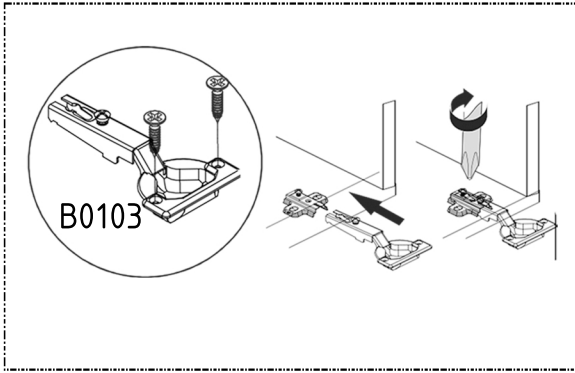
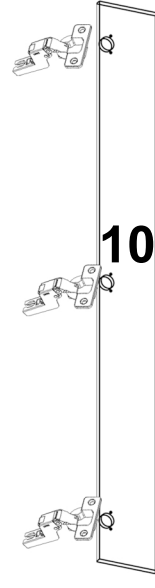
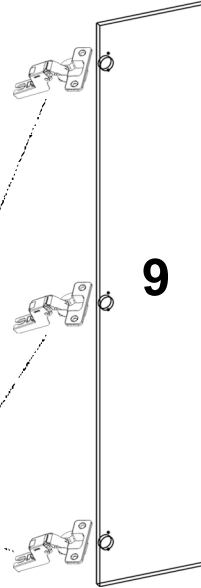
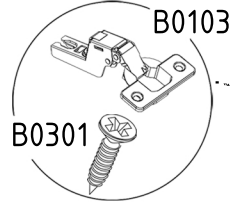
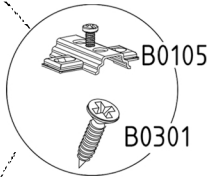
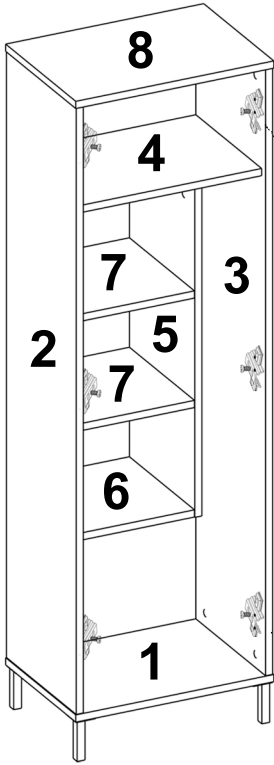
x4



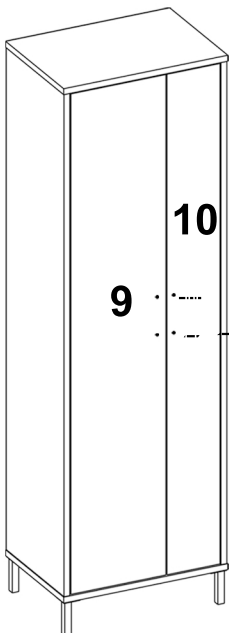
x2



9

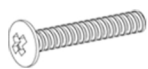


10

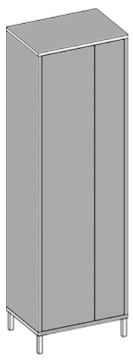


B0307

B0201



9-10



B1702

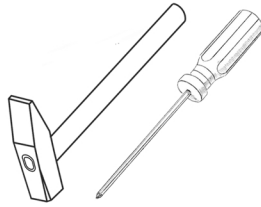
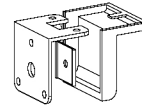
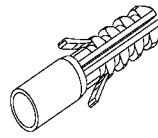
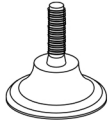
B0318

B0306

B0317

B1303

B0301



x4

x28

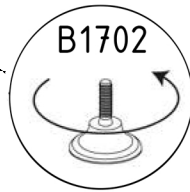
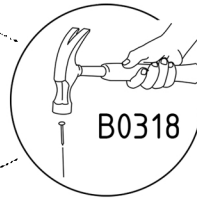
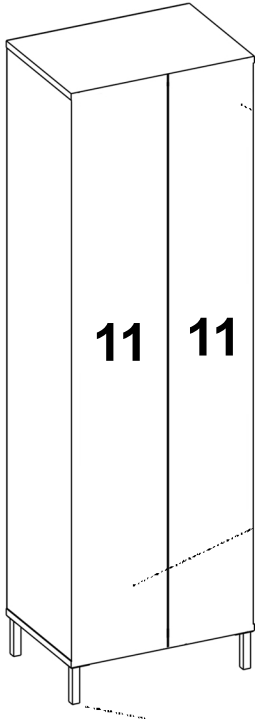
x1

x1

x1

x2

10



11

