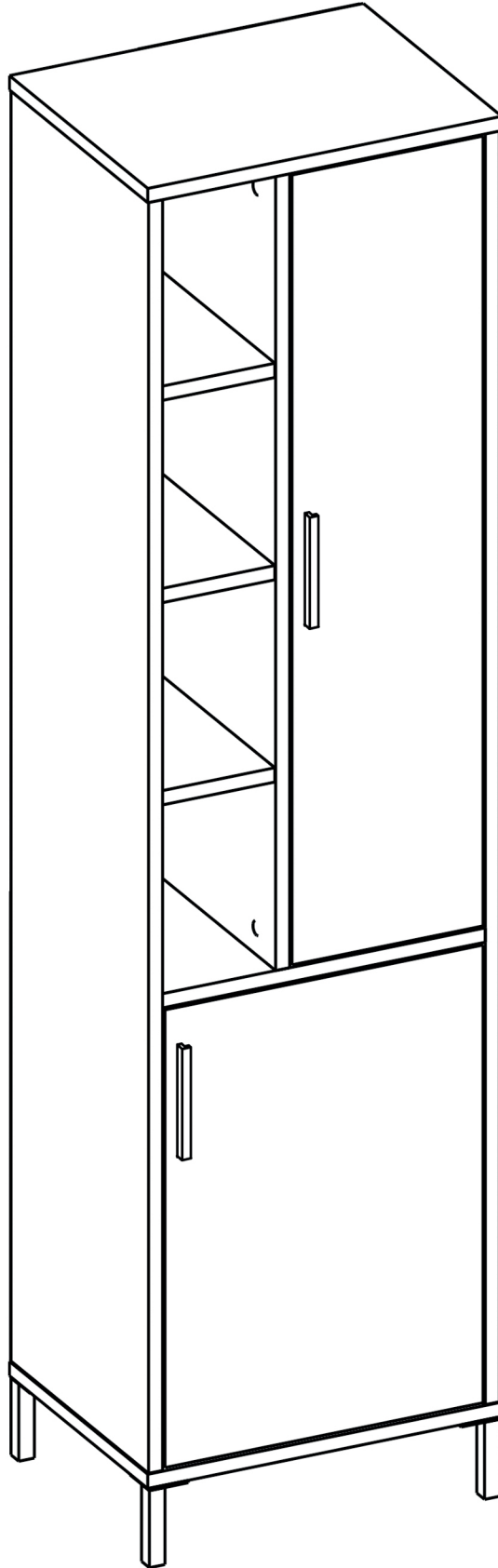




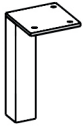
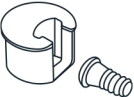



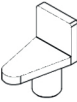
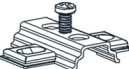

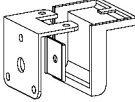
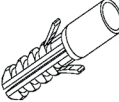

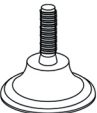

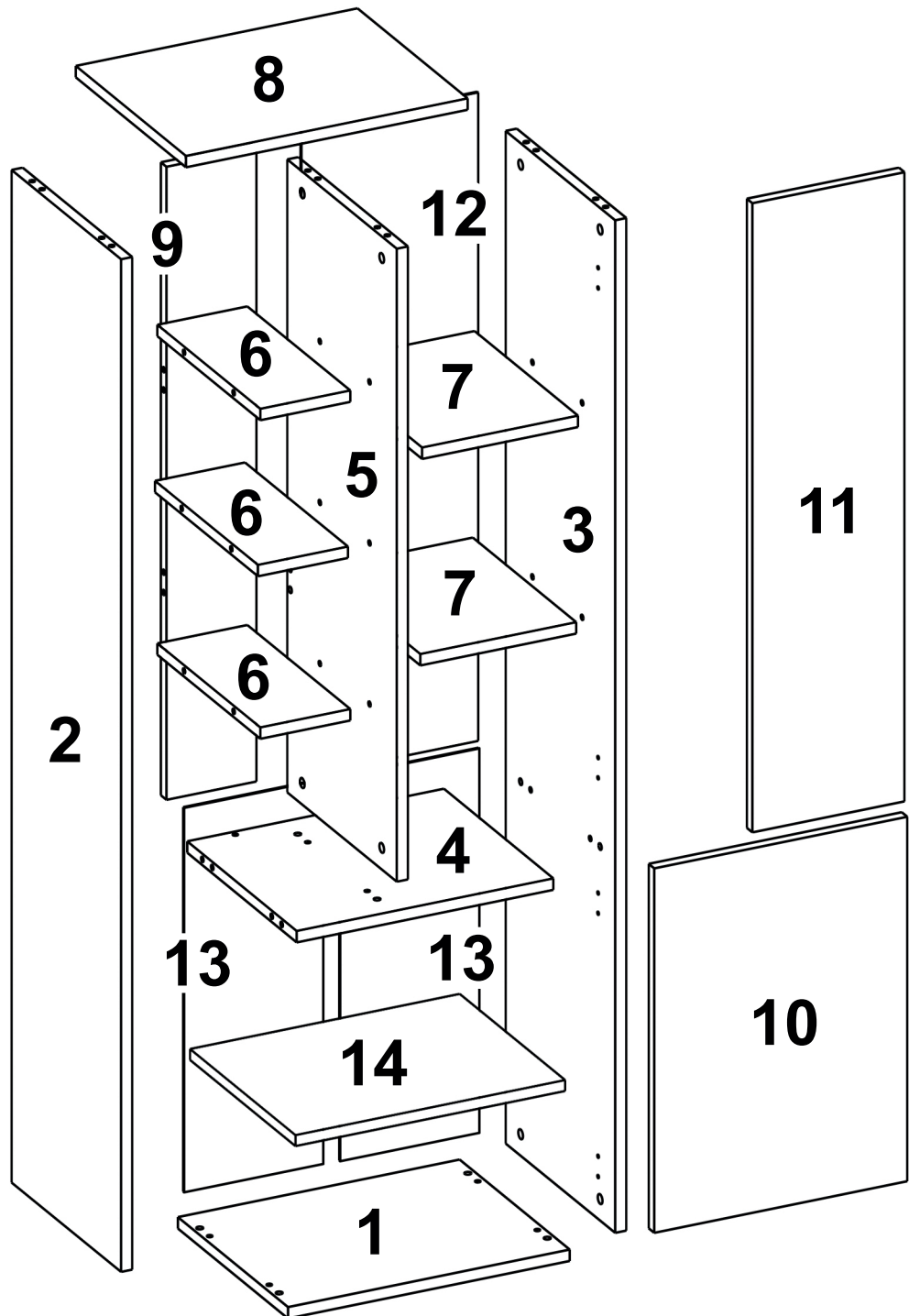
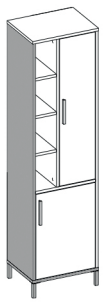


VI2



 B0501 x21	 B0502 x21	 B0503 x23	 B0504 x21	 D0154 x4
 B0507 x20	 B0301 x32	 B0201 x2	 B0307 x4	 B0509 x4
 B0105 x4	 B0103 x4	 B1303 x1	 B0317 x1	 B0306 x1
 B1702 x4	 B0318 x35			





D0154 B0301 B0501 B0502 B0503 B0504



x4



x12



x2



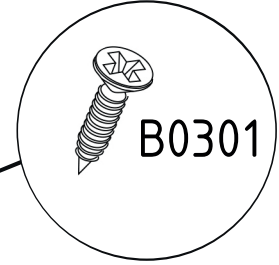
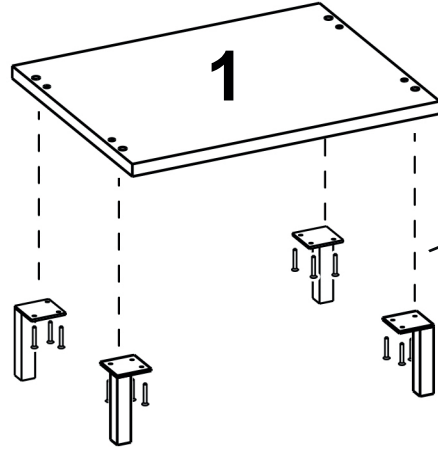
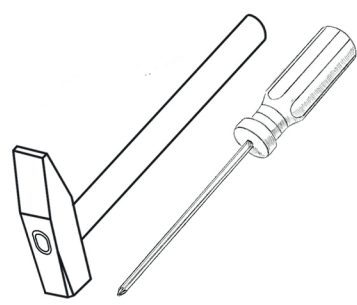
x2



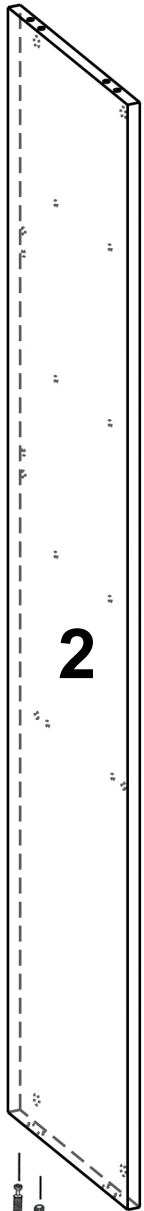
x2



x2



B0301



2



B0504

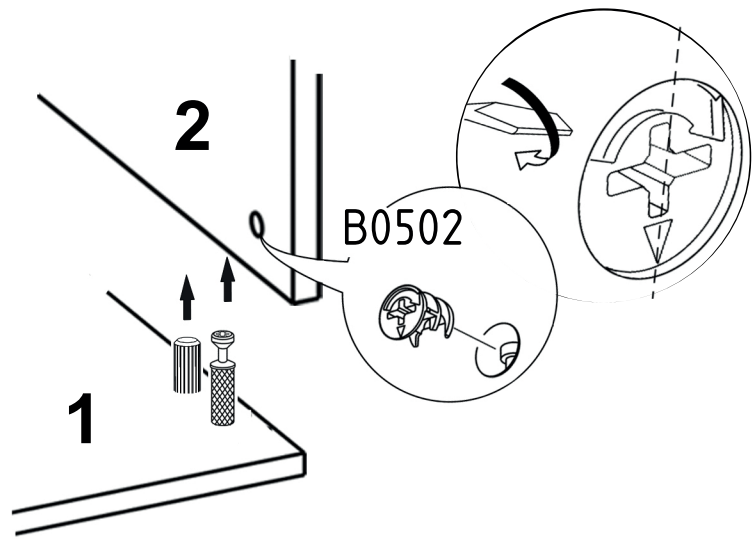


B0503



B0501

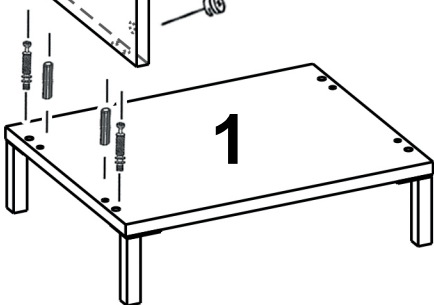
1



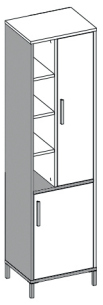
2

B0502

1



1



B0501 B0502 B0503 B0504

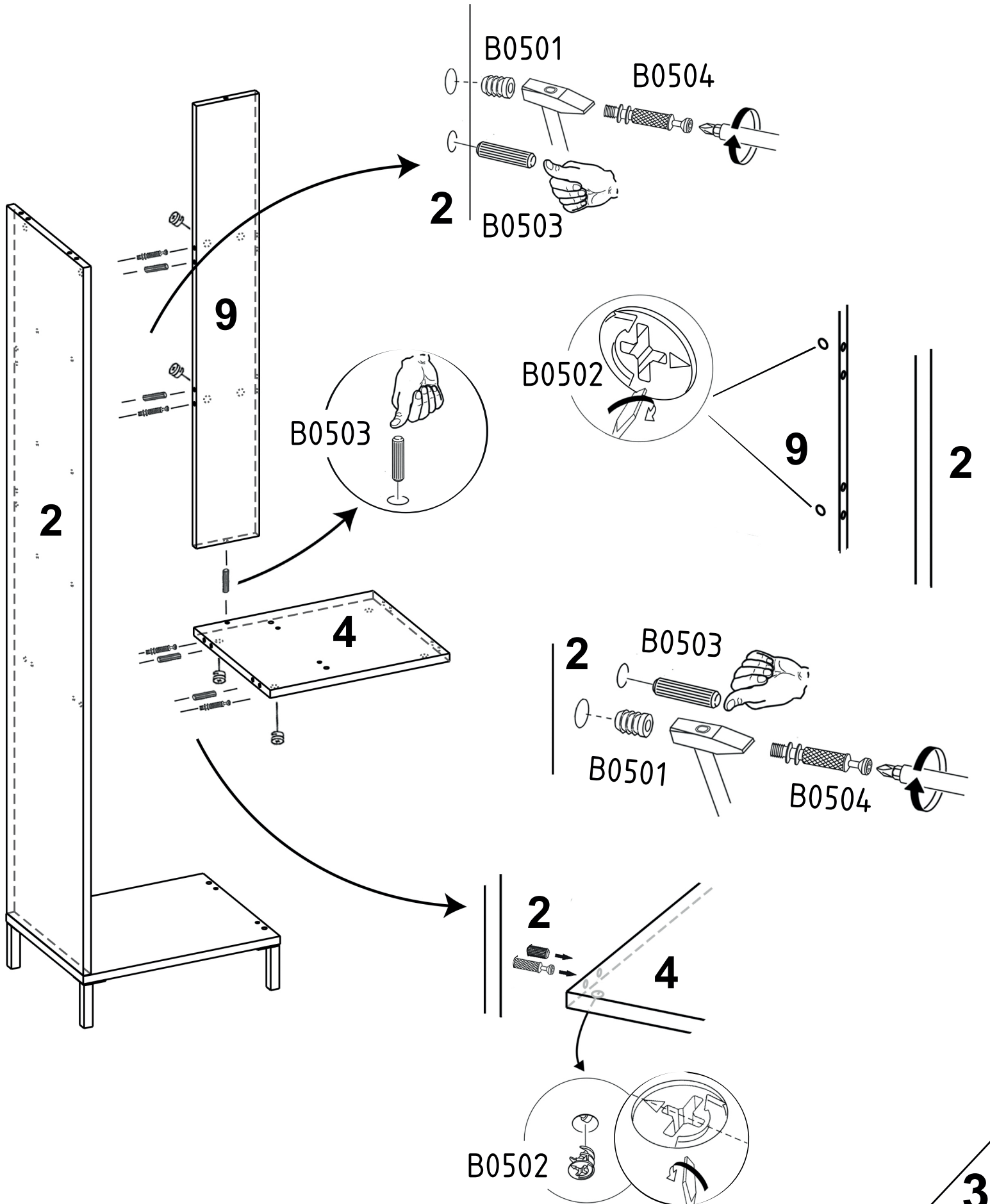
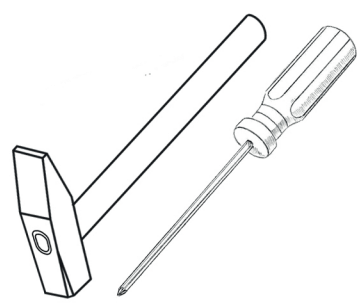


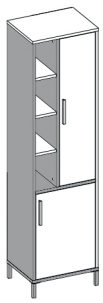
x4

x4

x5

x4





B0501 B0502 B0503 B0504

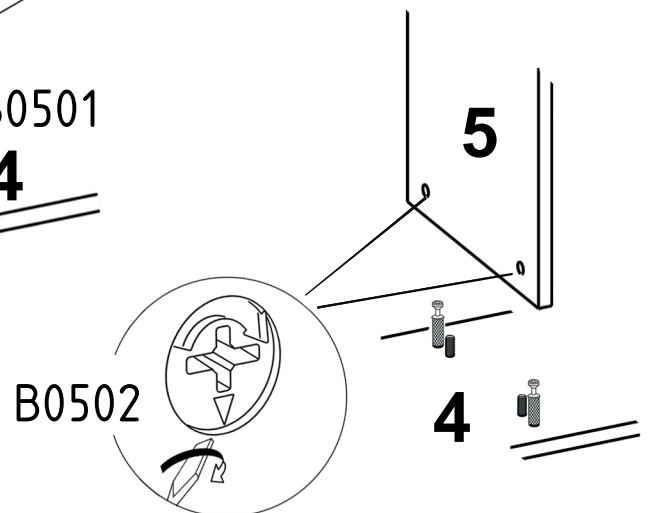
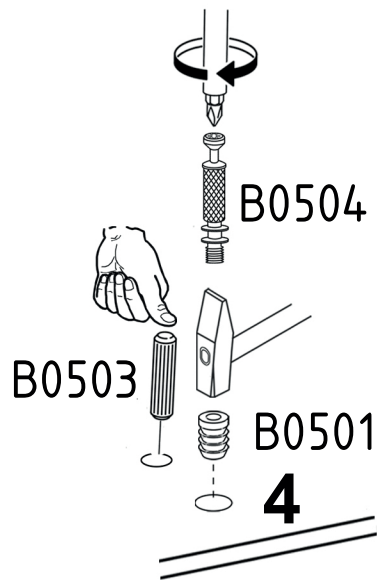
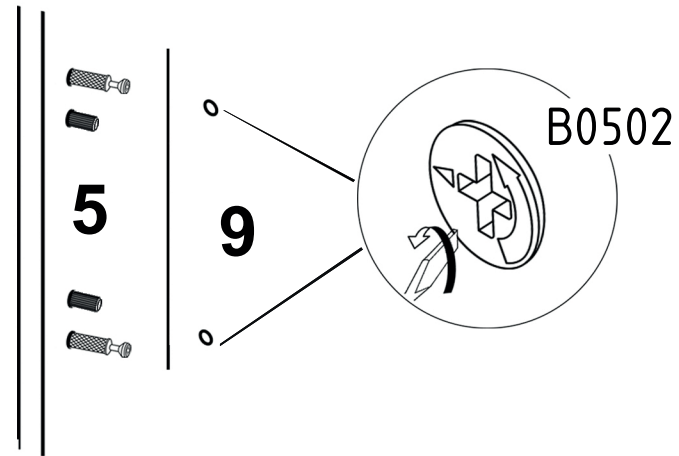
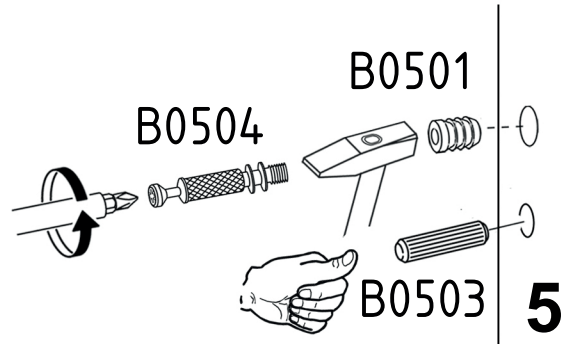
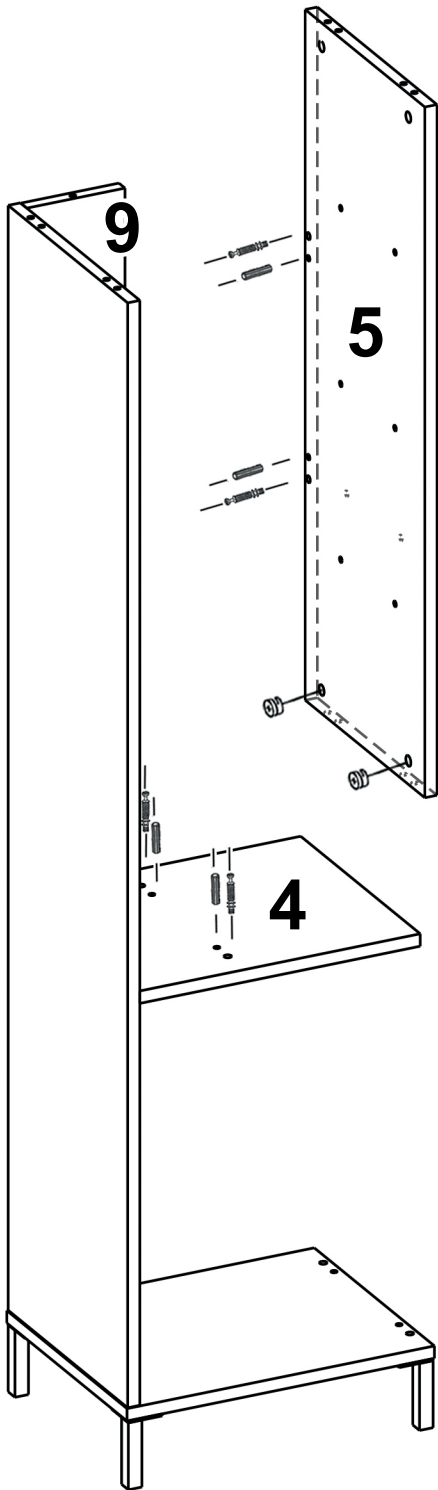
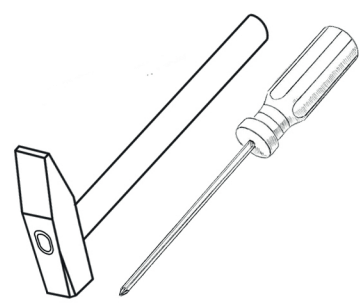


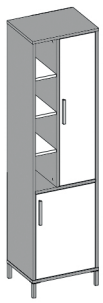
x4

x4

x4

x4

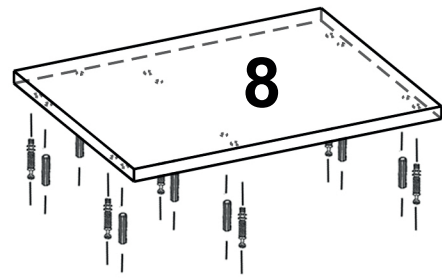
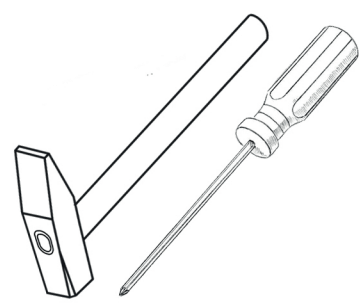




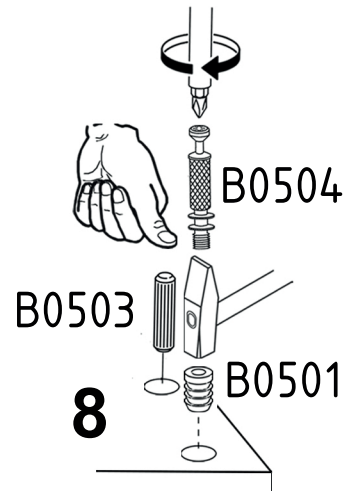
B0501 B0502 B0503 B0504



x10 x10 x11 x10



8

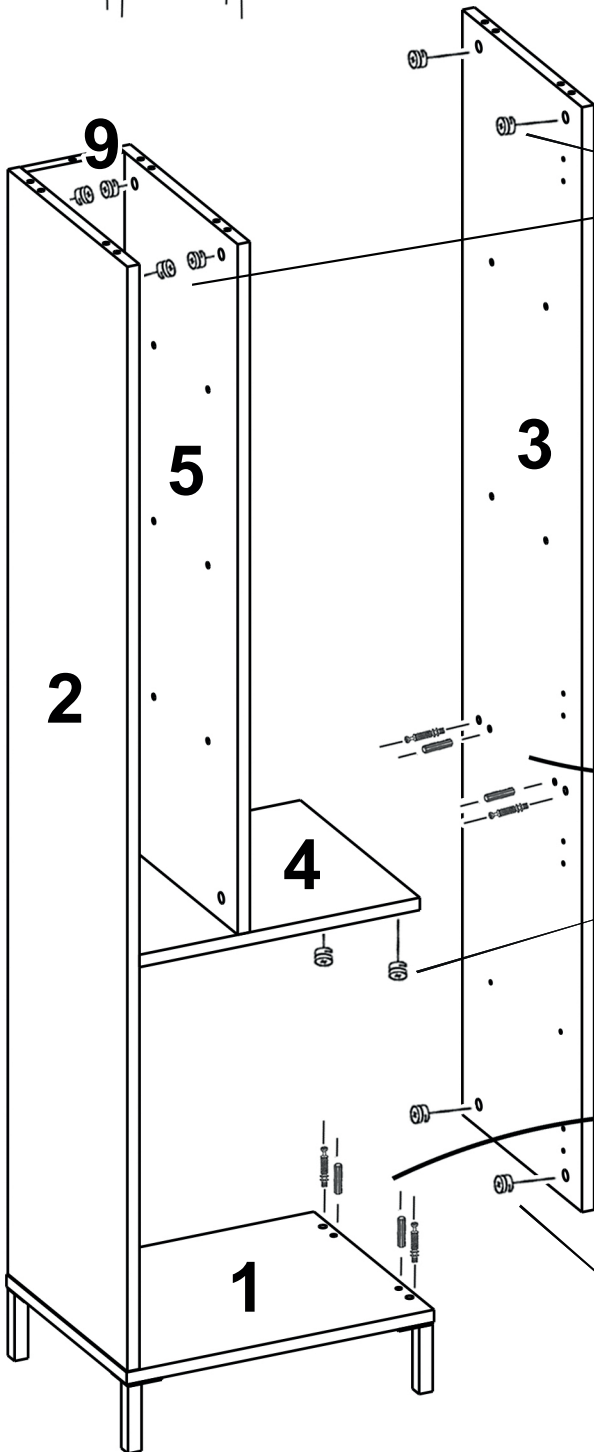


B0504

B0503

B0501

8



9

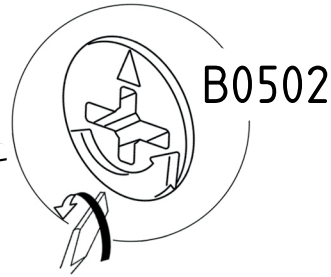
5

3

2

4

1



B0502

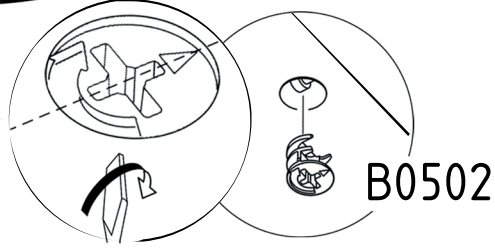
B0504

B0501

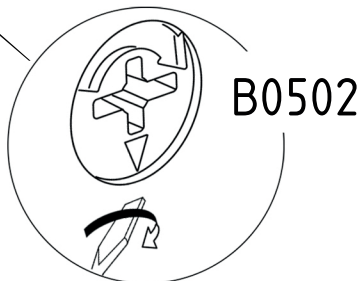
B0504

B0503

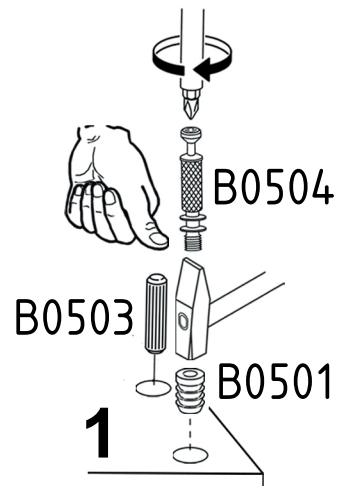
3



B0502



B0502



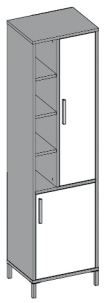
B0504

B0503

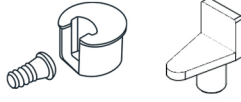
B0501

1

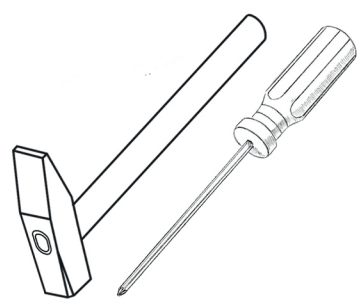
5



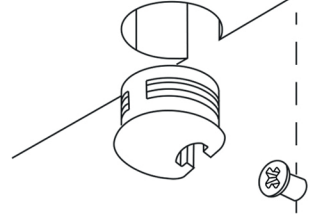
B0507 B0509



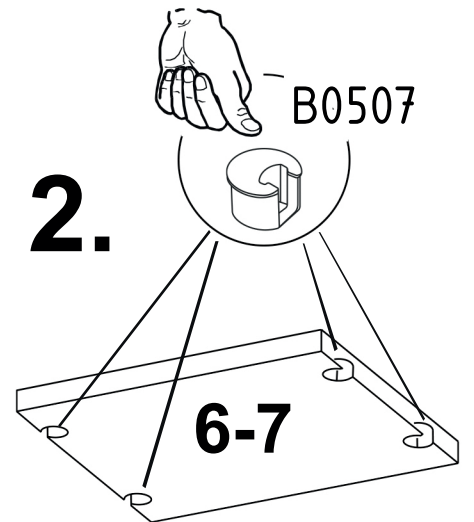
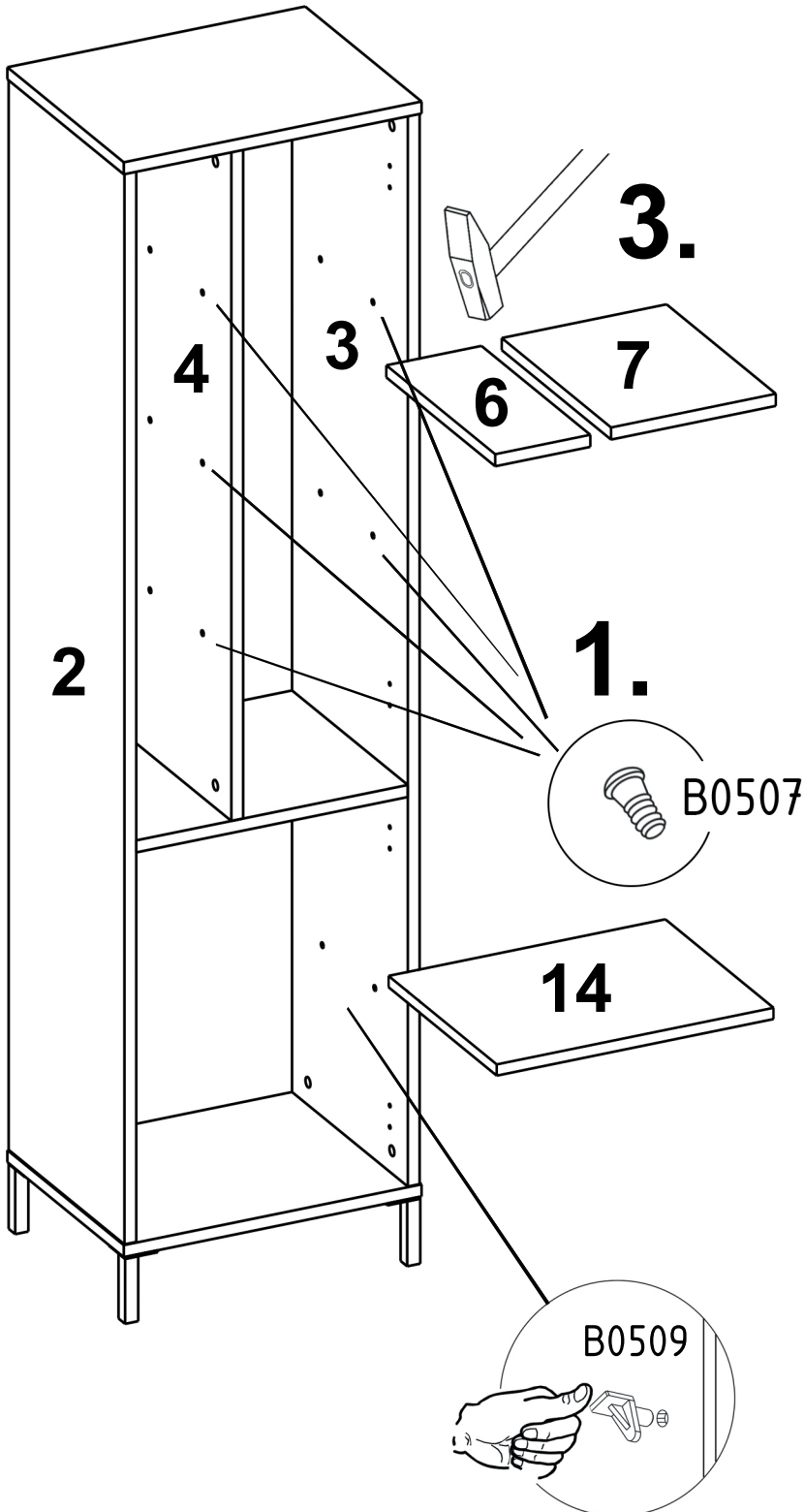
x20 x4

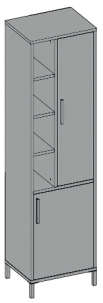


6-7



2-3-4

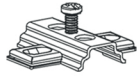




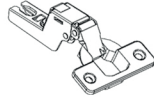
B0301 B0105 B0103 B0307 B0201



x16



x4



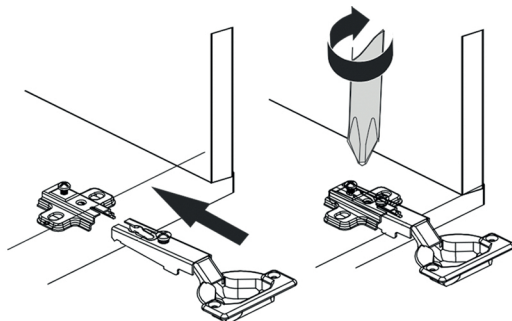
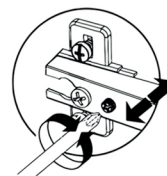
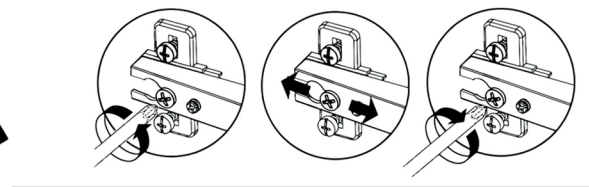
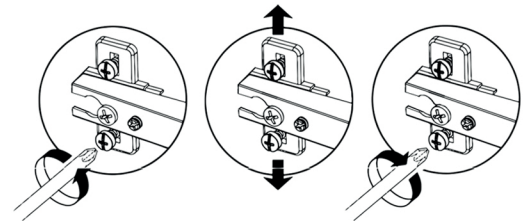
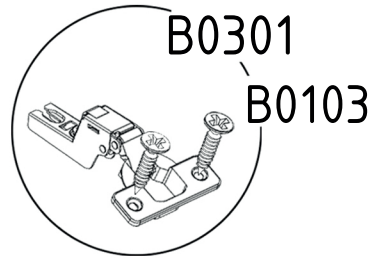
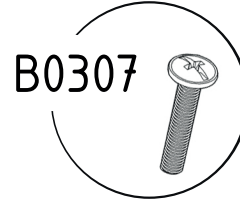
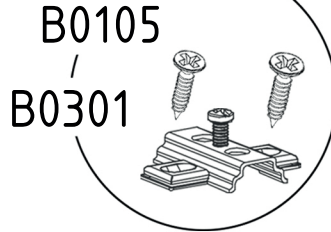
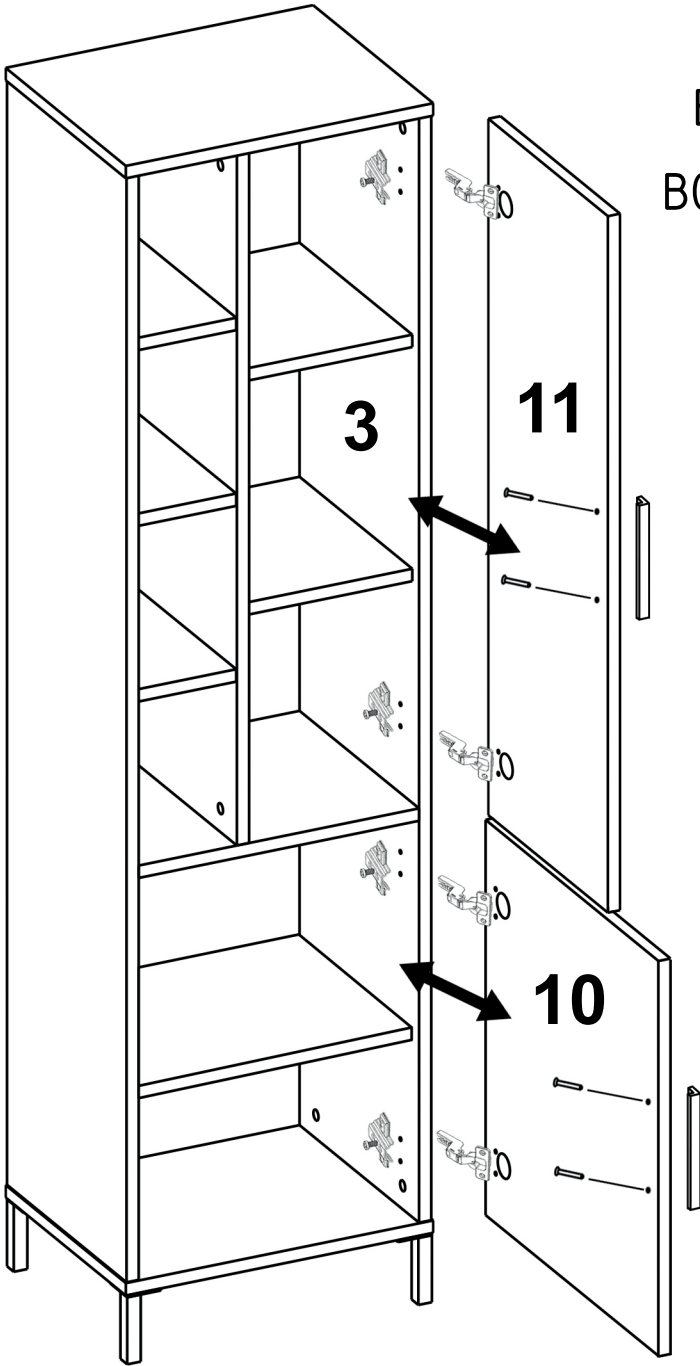
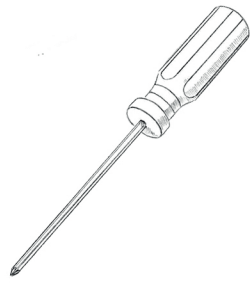
x4

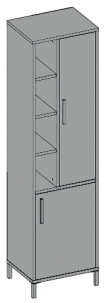


x4



x2





B0318



x35

