

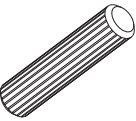




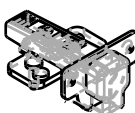
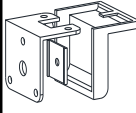

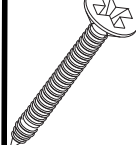
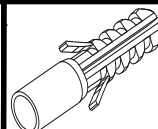
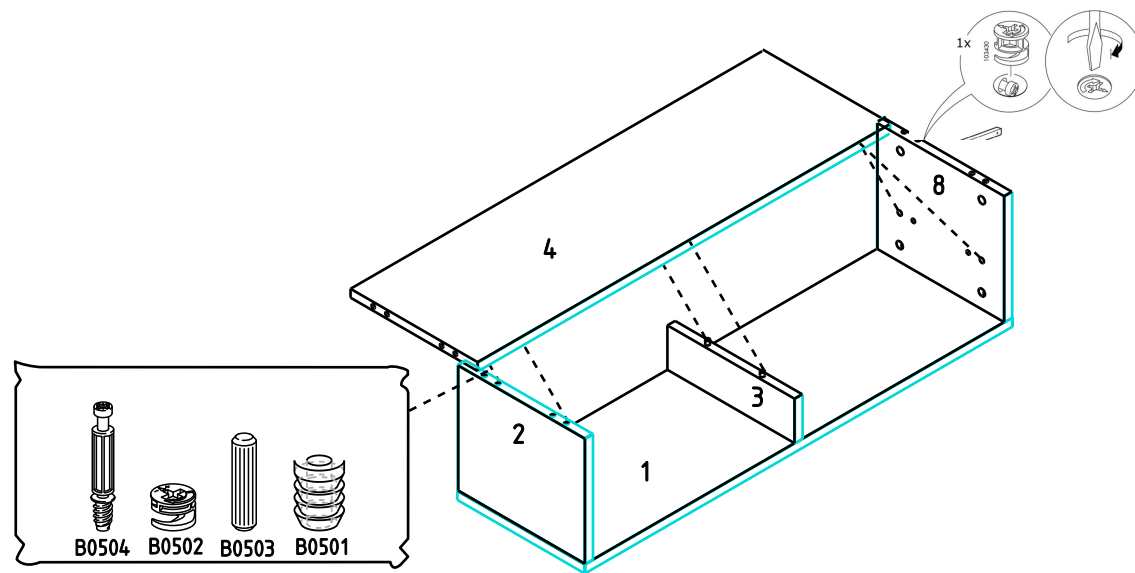
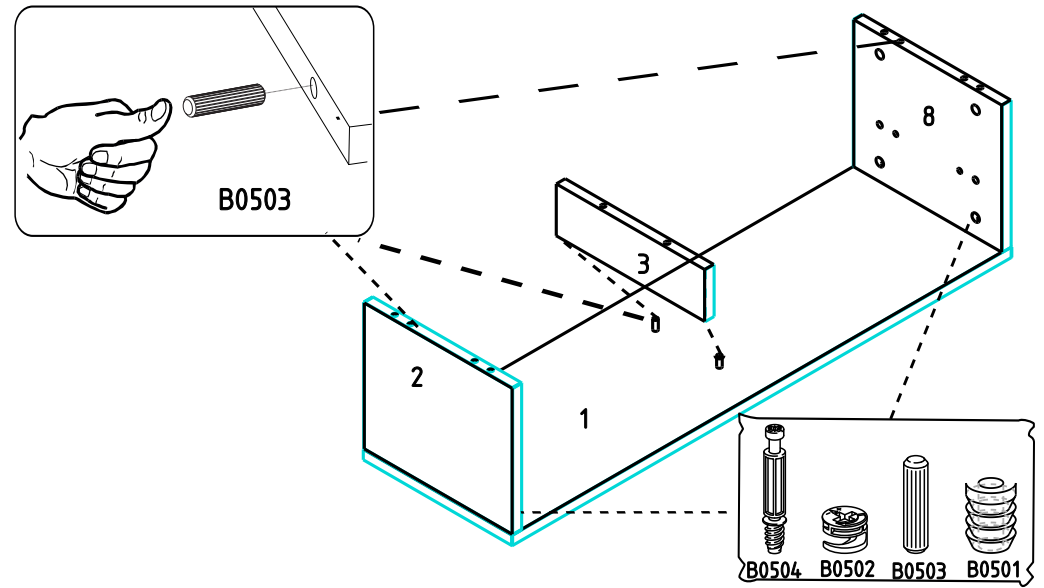
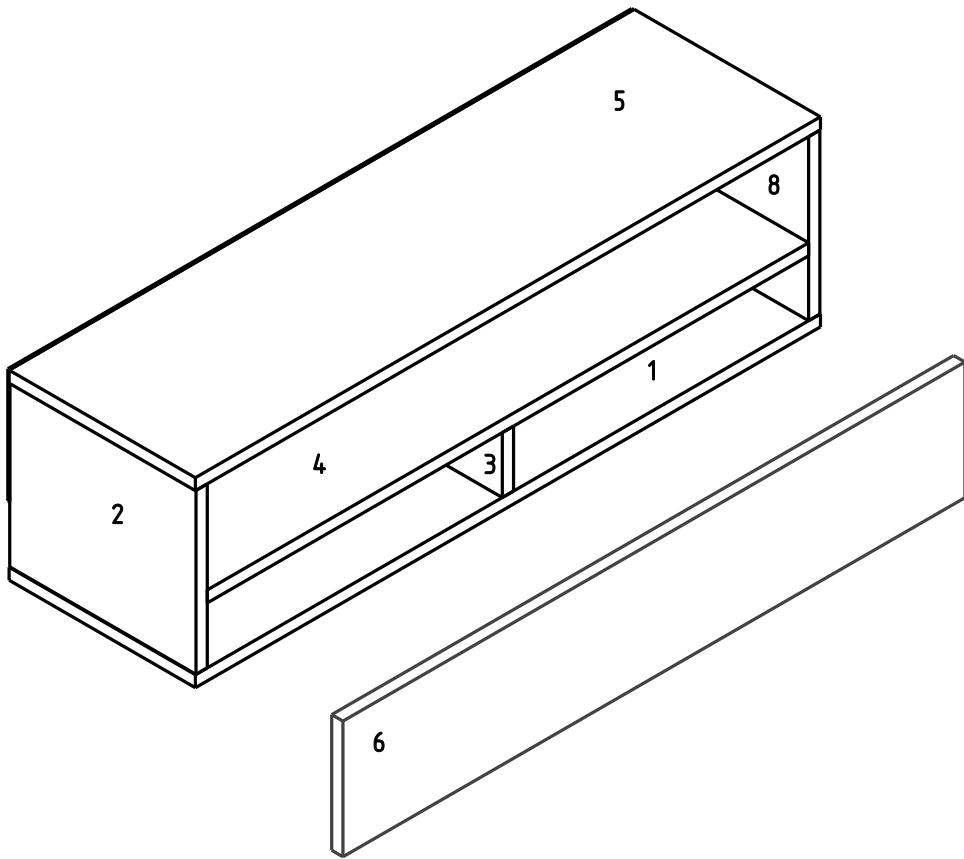
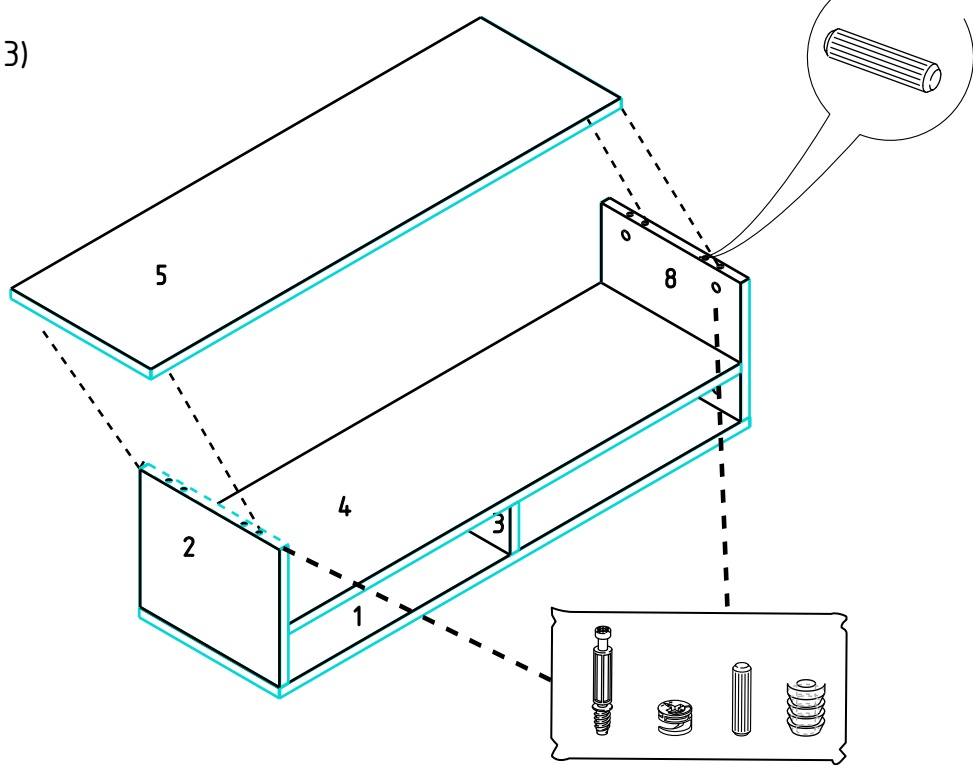


TV UNIT FR13

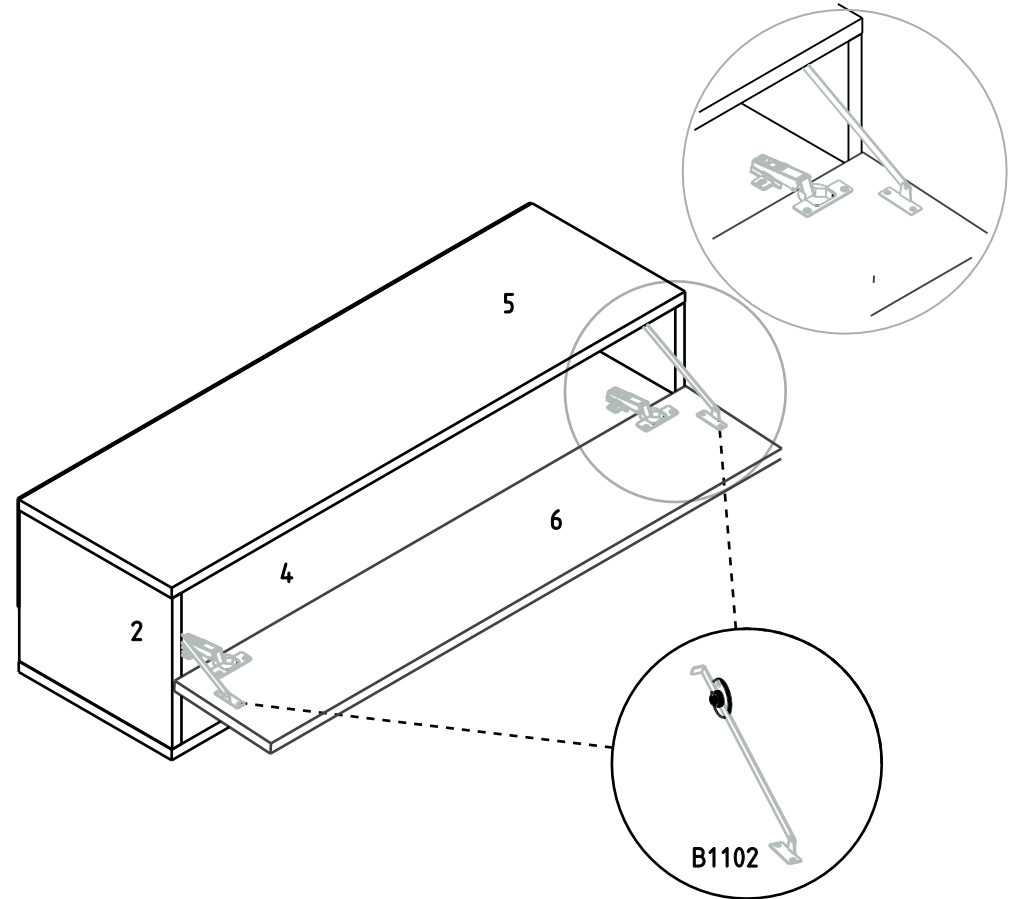
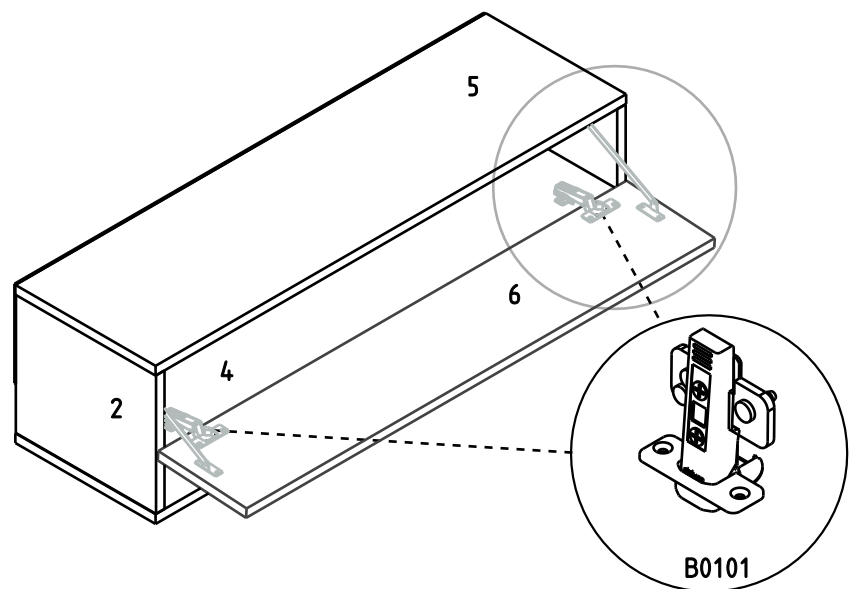
											
B0105 X2	B0501 X12	B0503 X16	B0504 X12	B0502 X12	B0301 X26	B1102 X2	B0101 X2	B1303 X5	B0318 X10	B0306 X5	B0317 X5



3)



4)



WALL MOUNT

