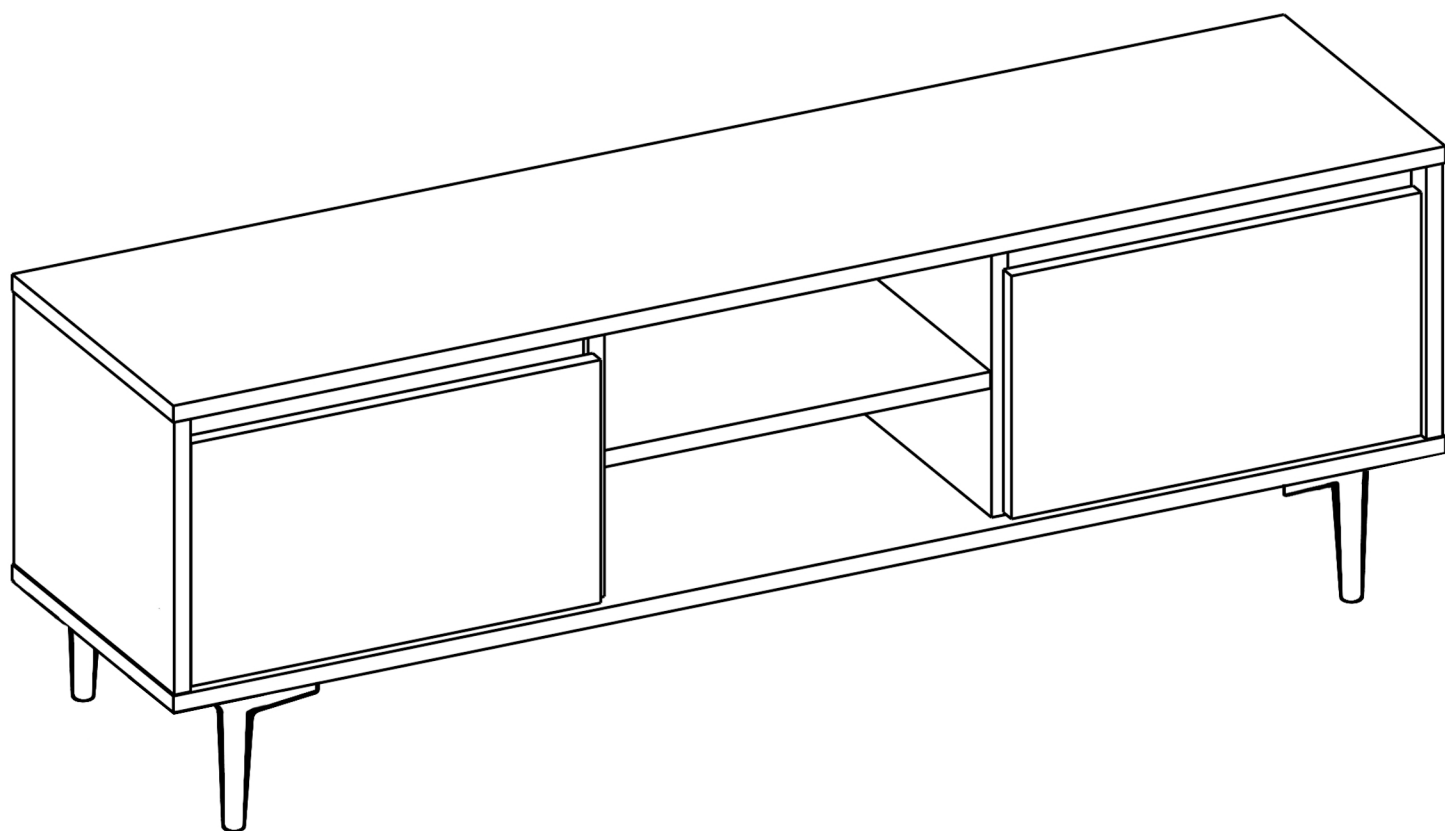


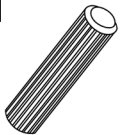




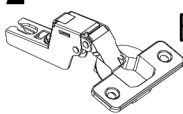
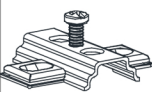


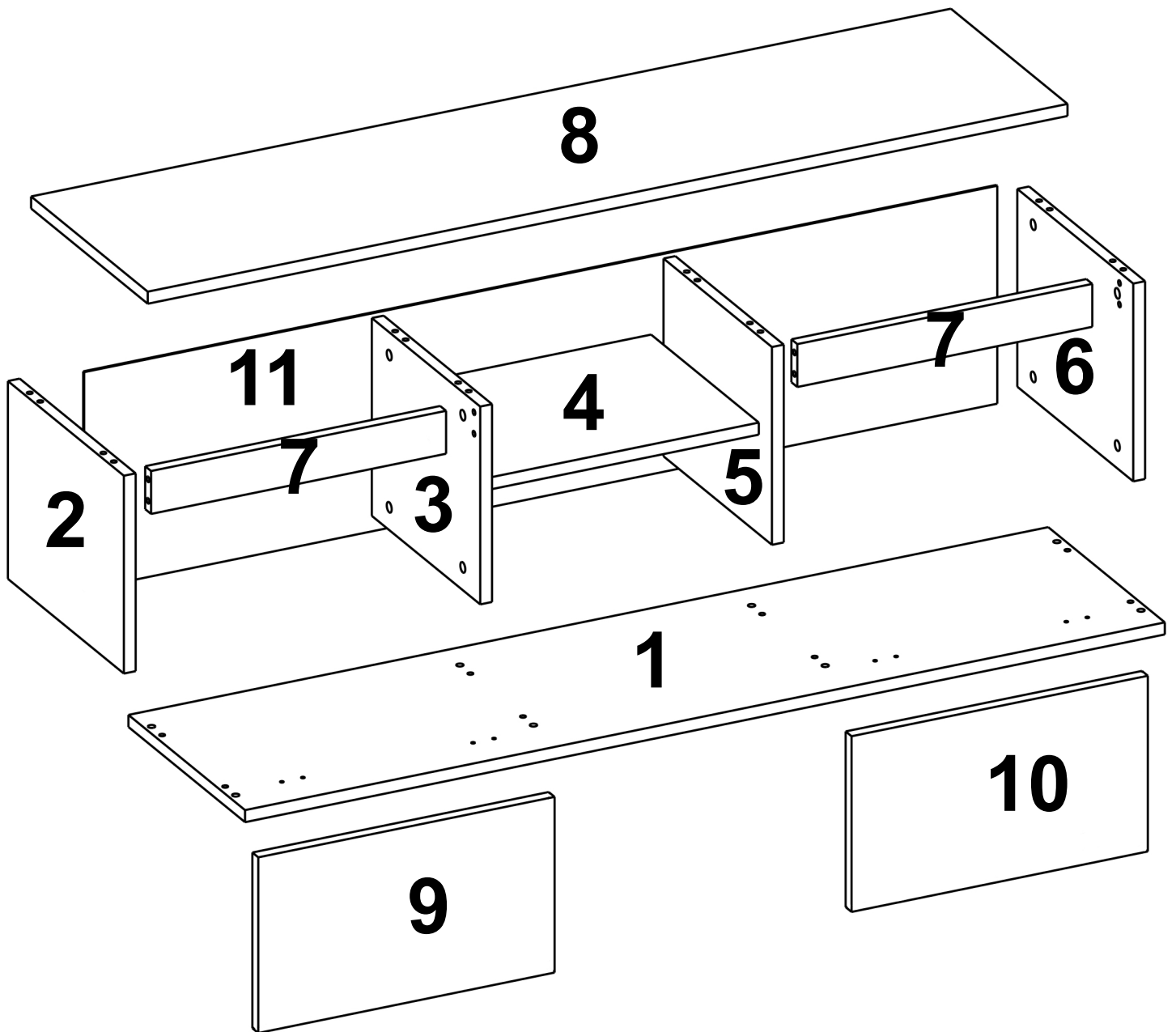
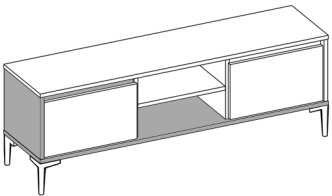


AR1



1  B0501 x17	1  B0502 x17	1  B0503 x25	1  B0504 x17	2  B0301 x17
P  B1004 x4	2  B0318 x23	2  B0103 x4	2  B0105 x4	2  B0507 x4
2  B0326 x17				





B0502

B0503

B0504

B0501



x2



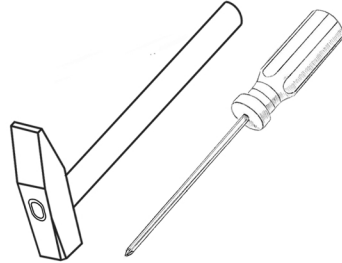
x4



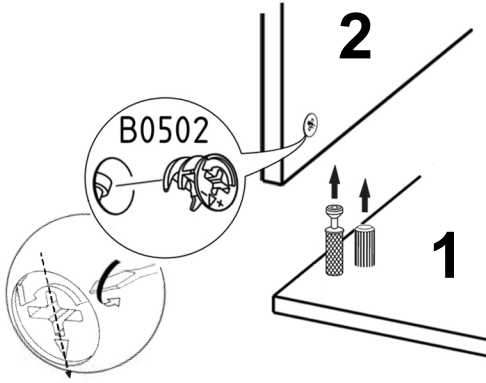
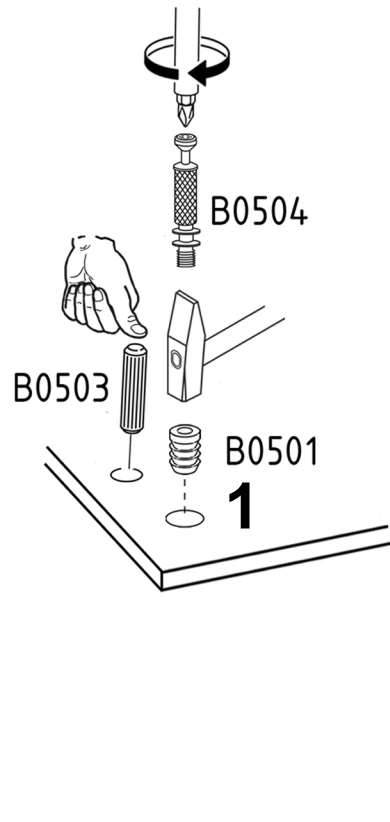
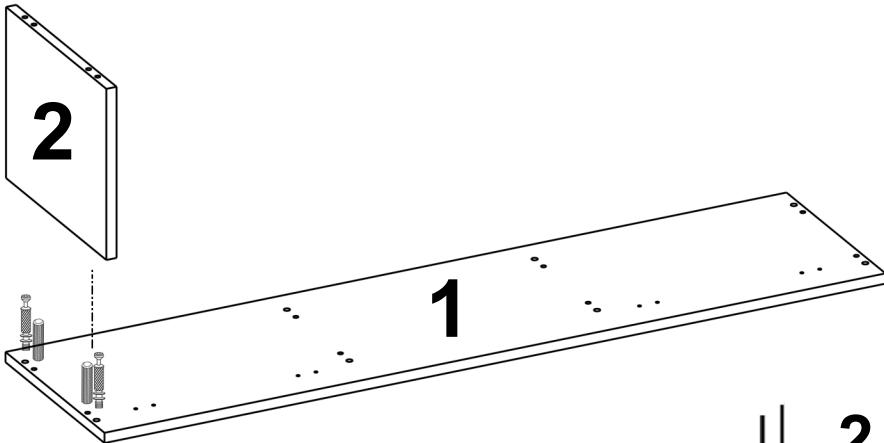
x2



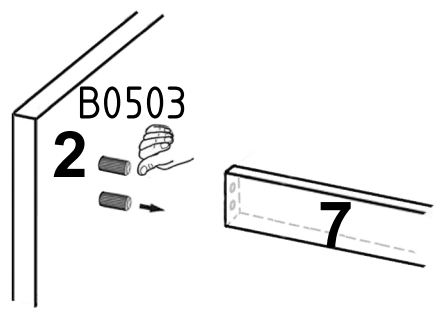
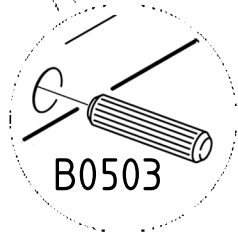
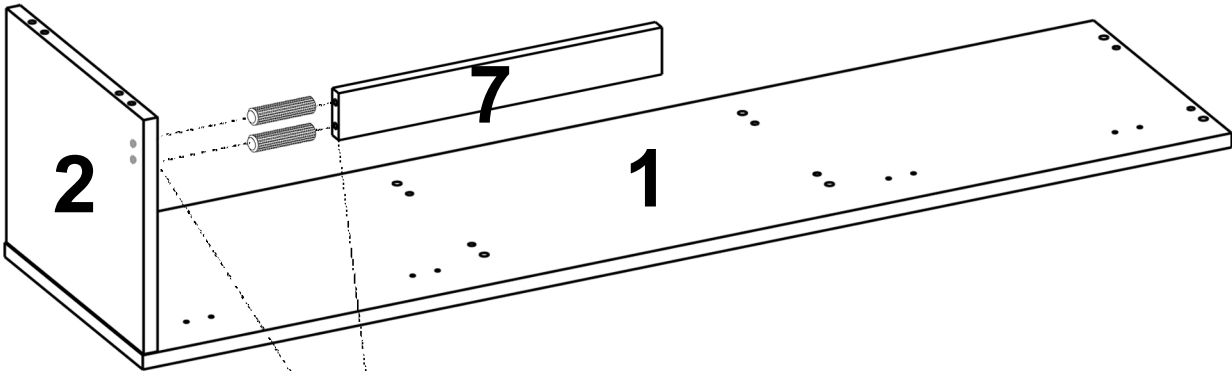
x2



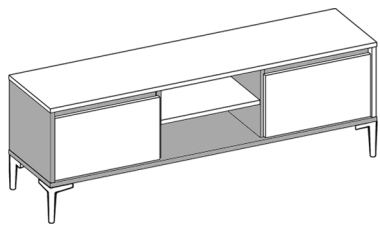
1



2



3



B0502

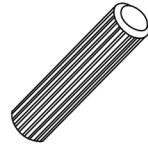
B0503

B0504

B0501



x4



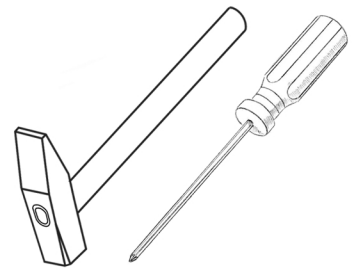
x8



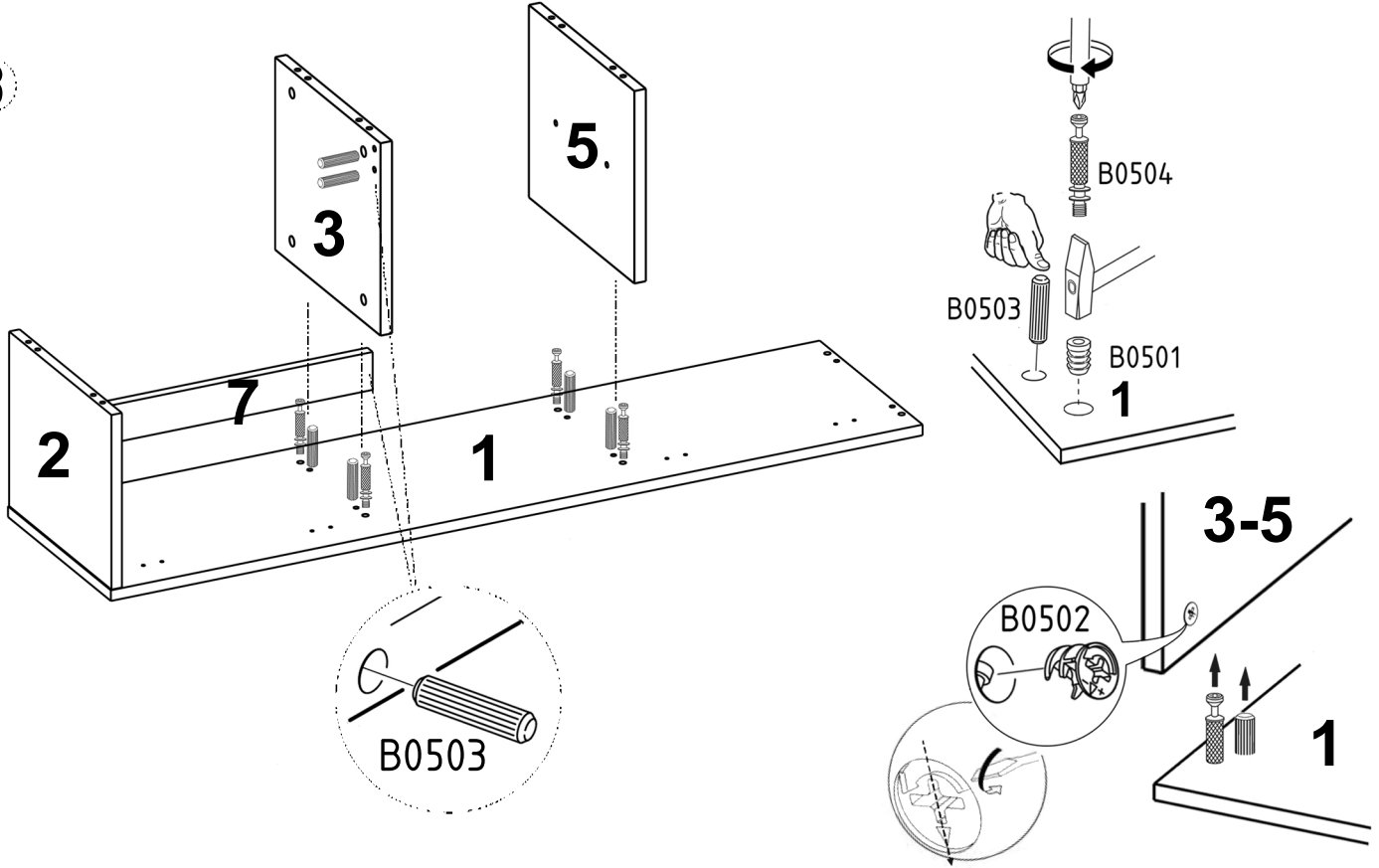
x4



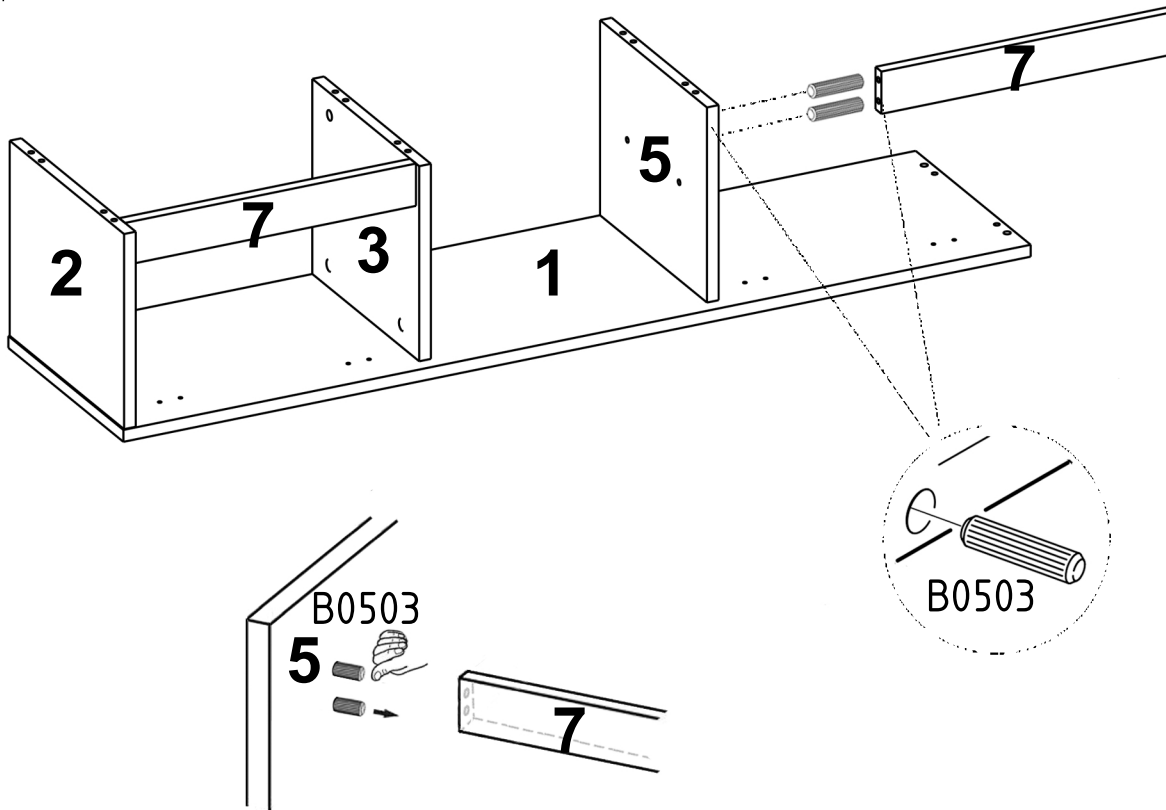
x4

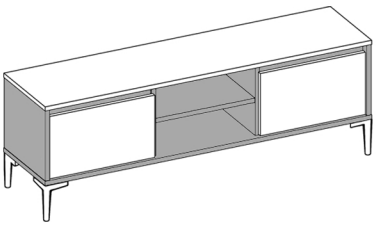


3

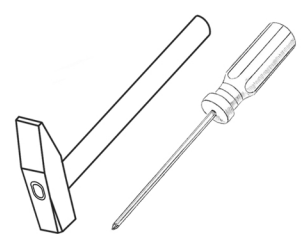


4

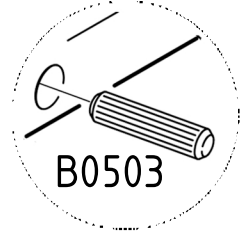
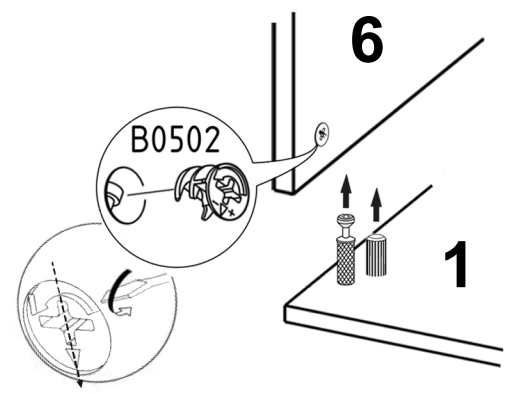
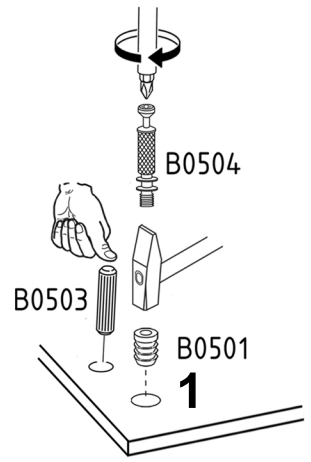
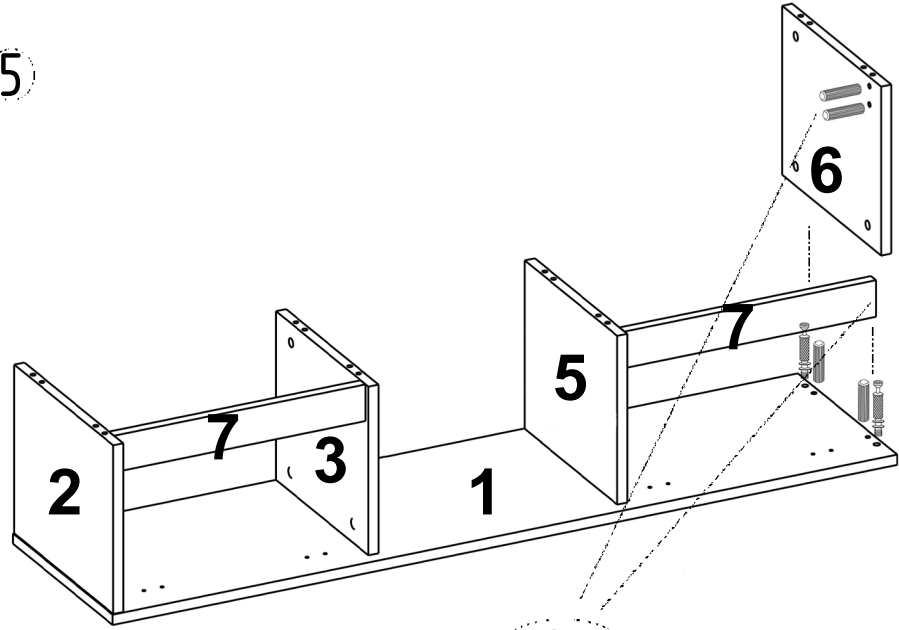




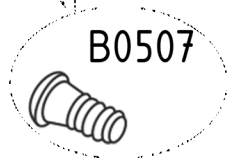
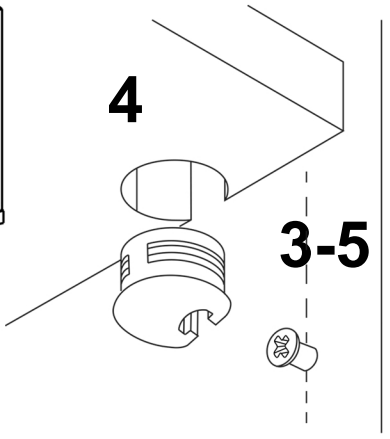
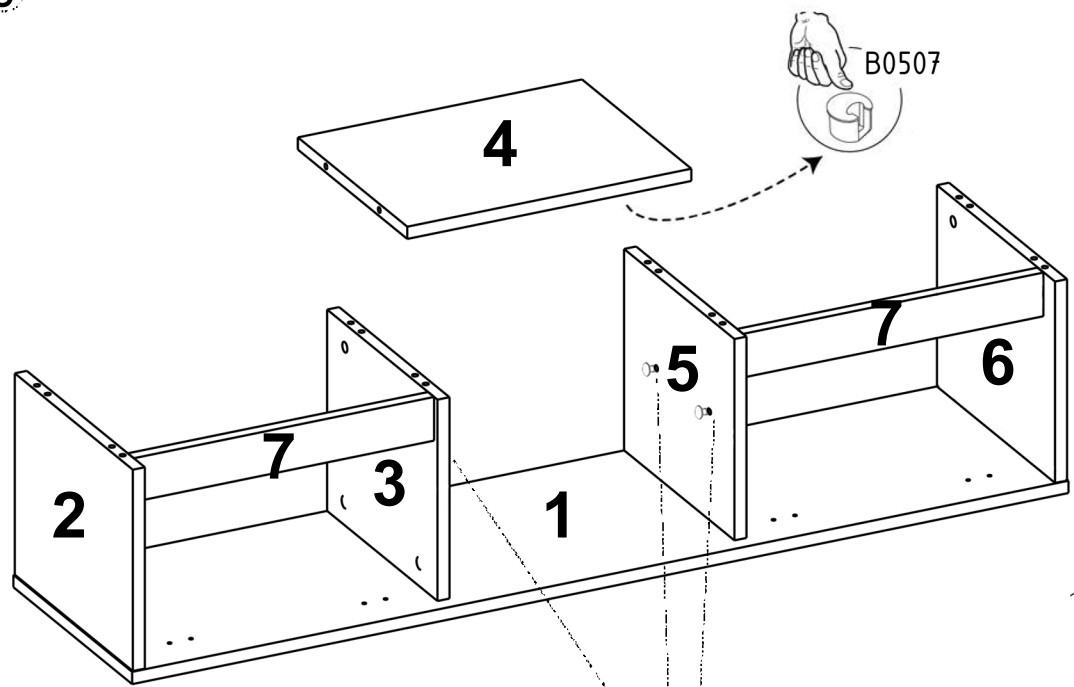
- B0502 x2
- B0503 x4
- B0504 x2
- B0501 x2
- B0507 x4



5



6



B0502

B0503

B0504

B0501

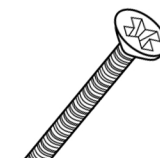
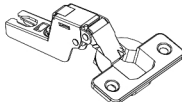
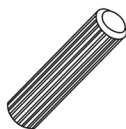
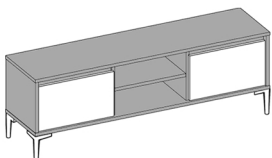
B0103

B0105

B0301

B0326

B1004



x8

x8

x8

x8

x4

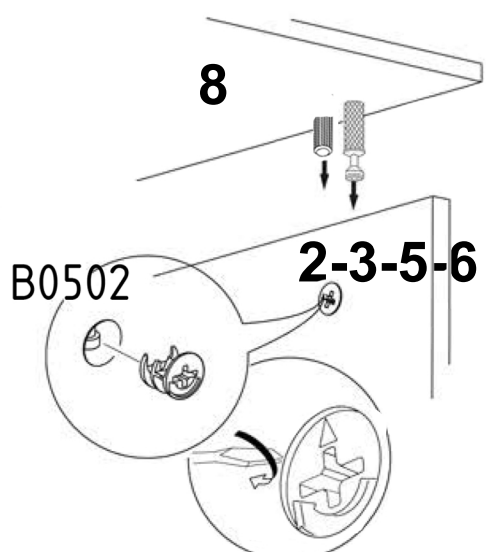
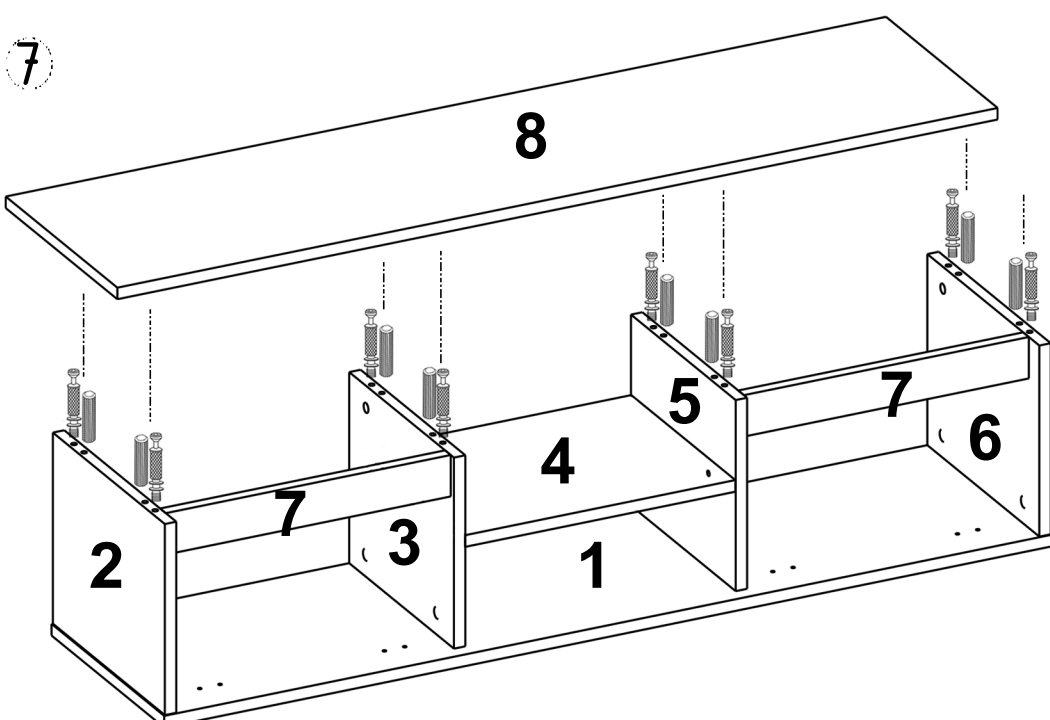
x4

x16

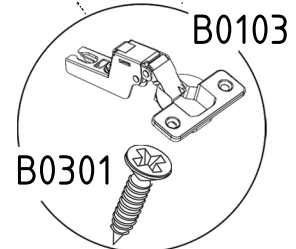
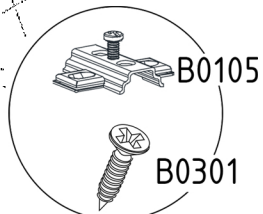
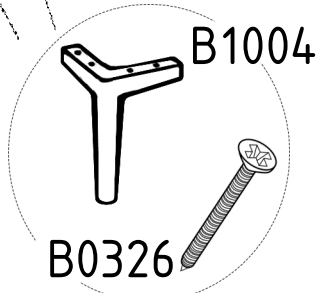
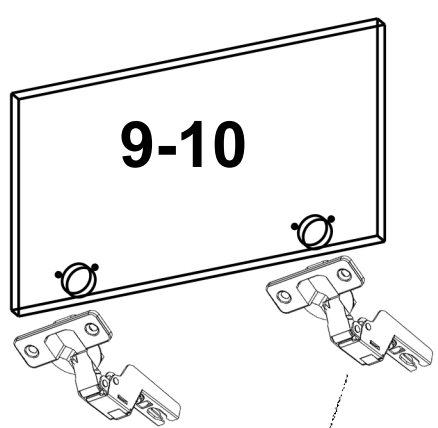
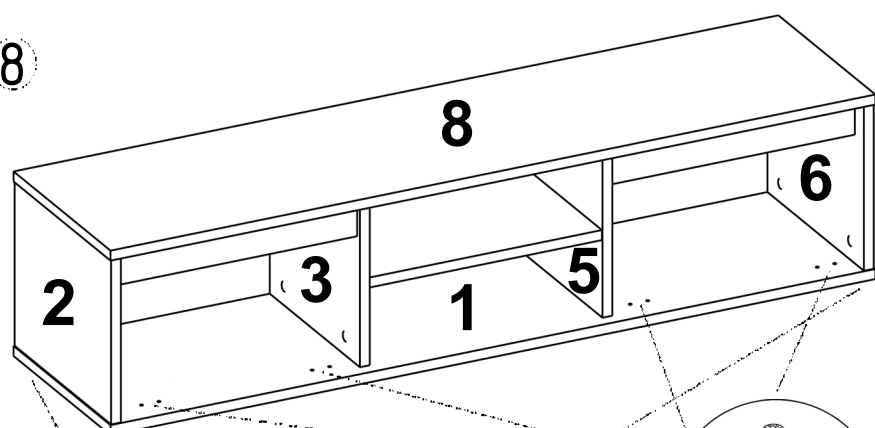
x16

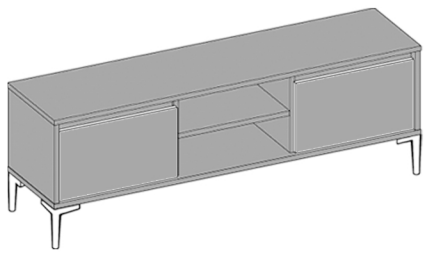
x4

7



8

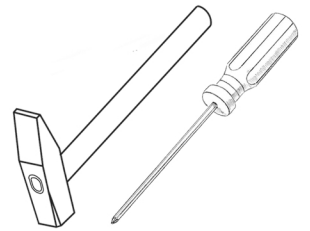




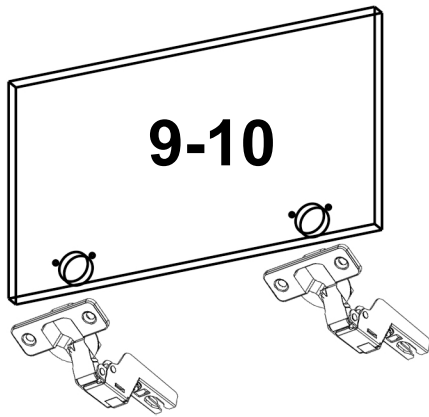
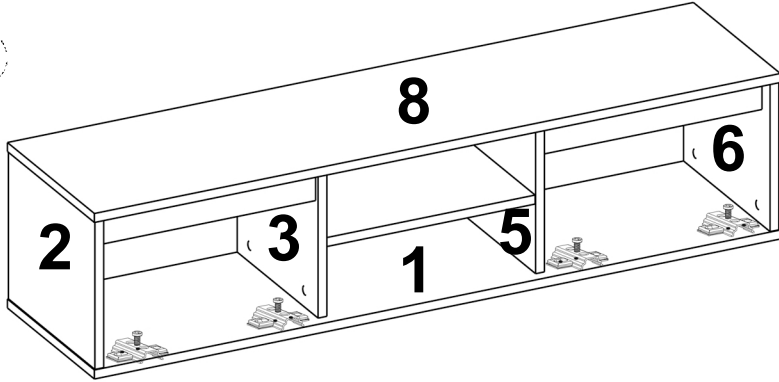
B0318



x23



9



10

