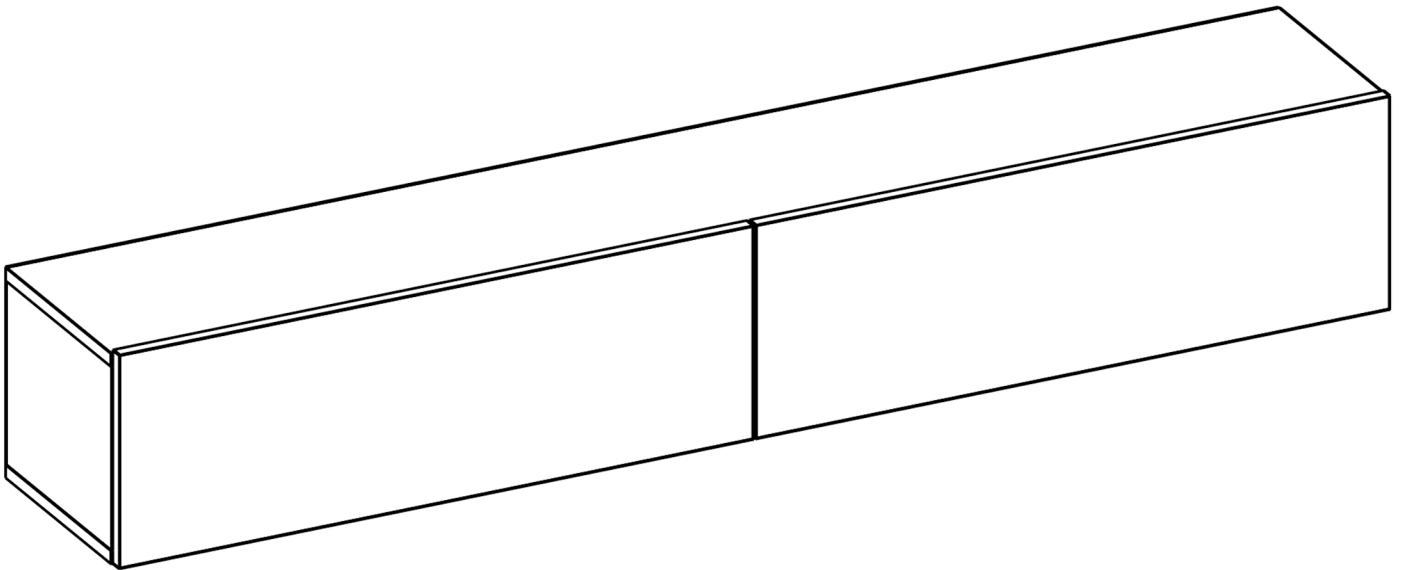


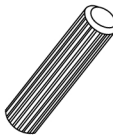


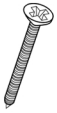
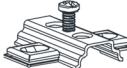
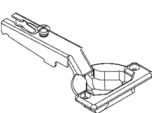


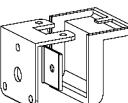
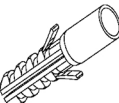
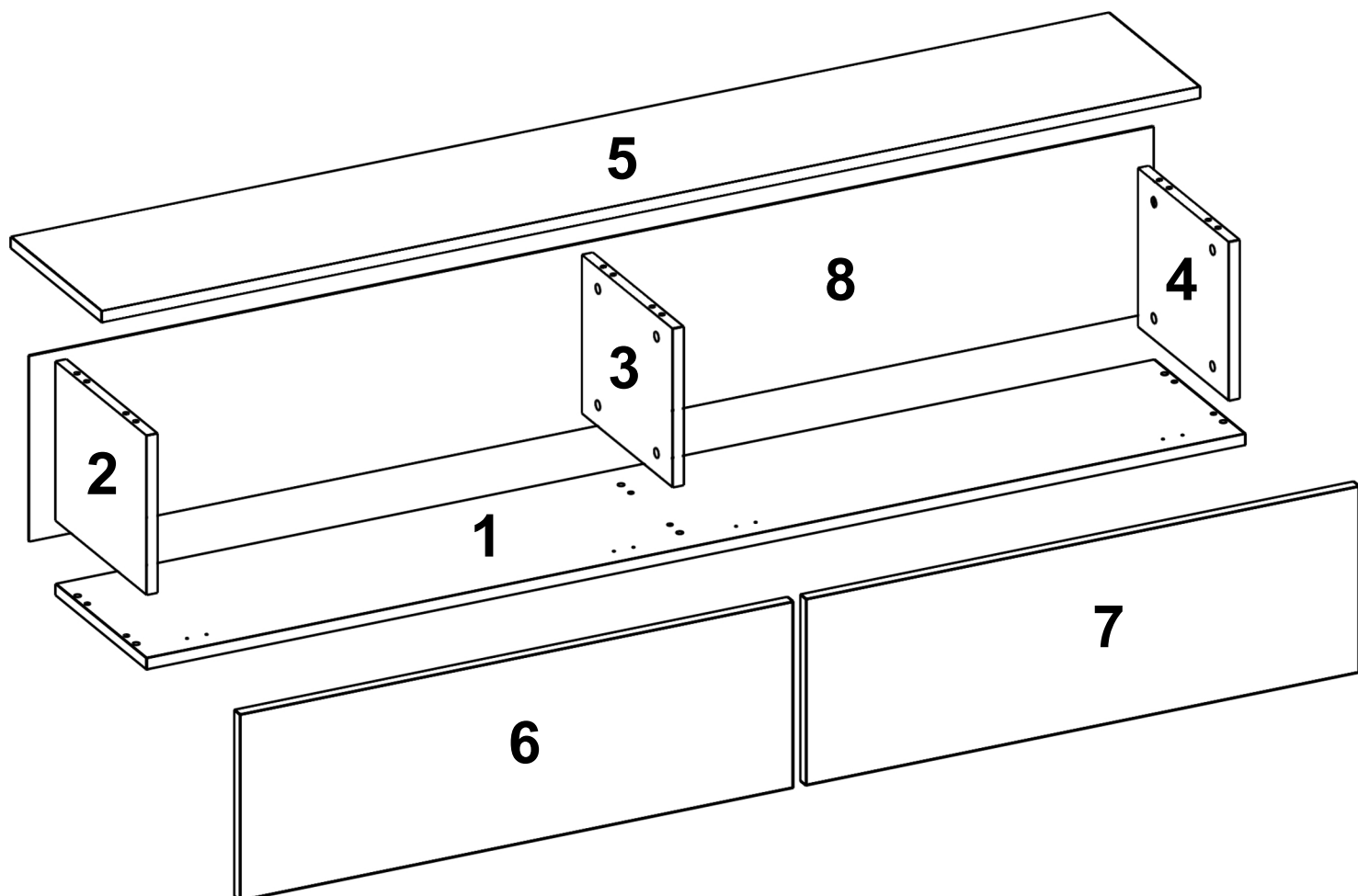
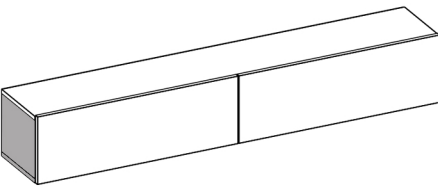


FR10



 B0501 x12	 B0502 x12	 B0503 x12	 B0504 x12	 B0301 x46
 B0306 x6	 B0105 x4	 B0101 x4	 B1102 x4	 B0318 x28
 B1303 x6	 B0317 x6			



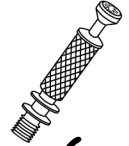
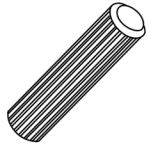


B0502

B0503

B0504

B0501

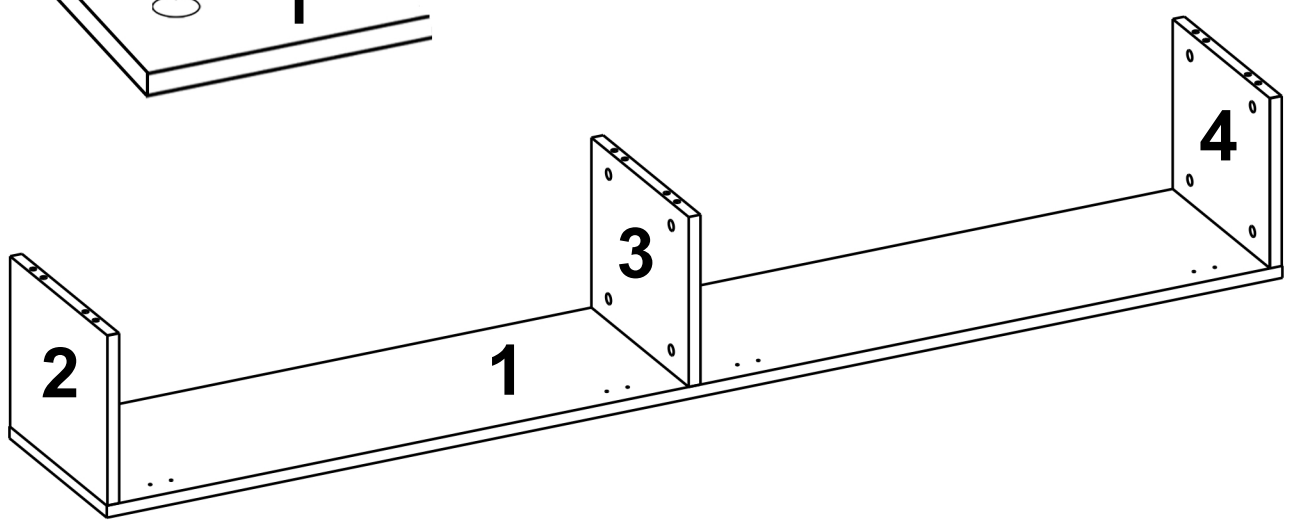
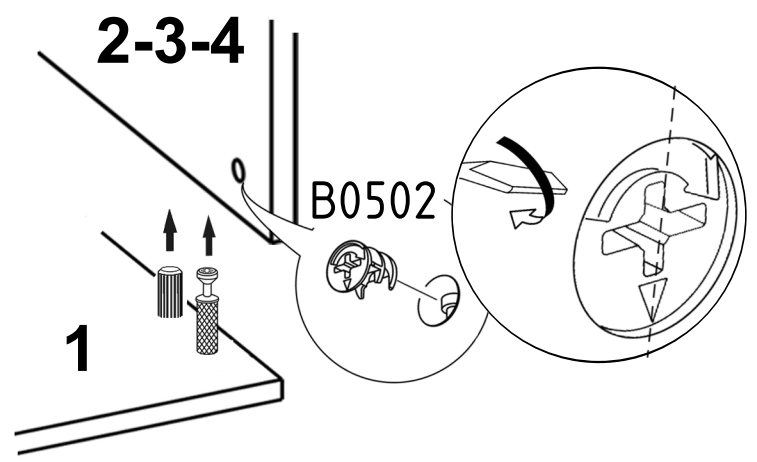
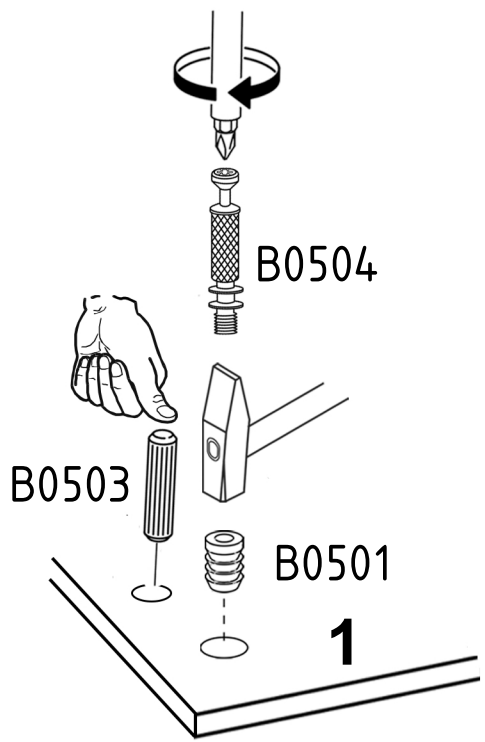
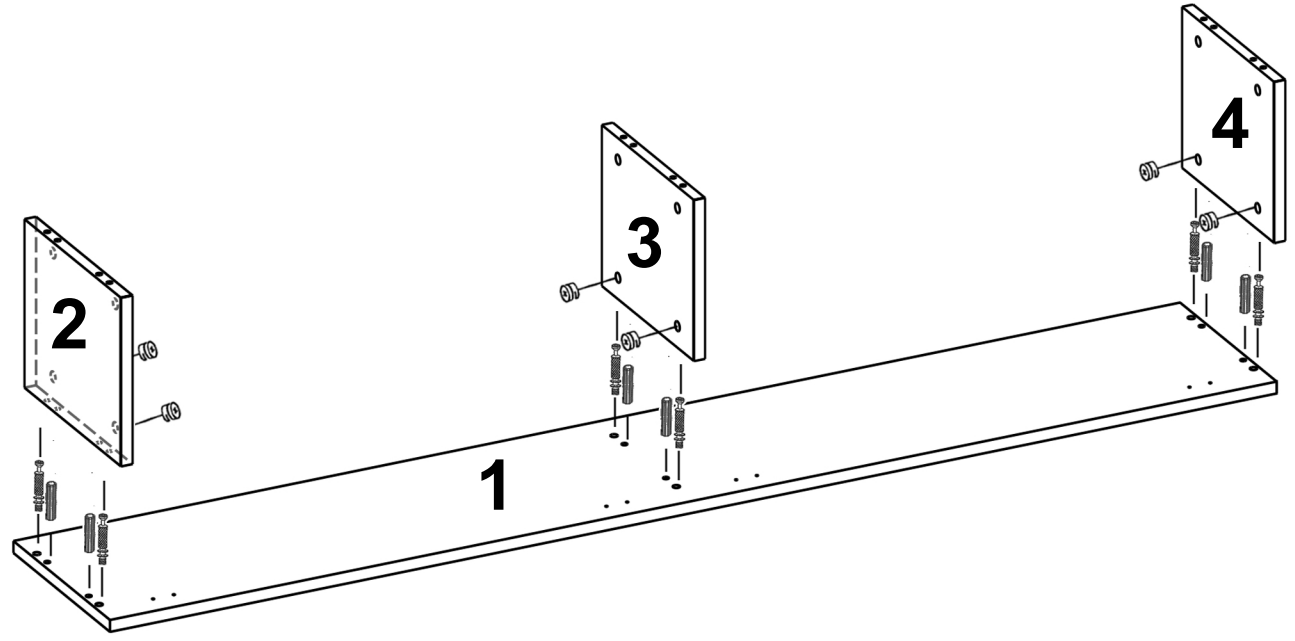
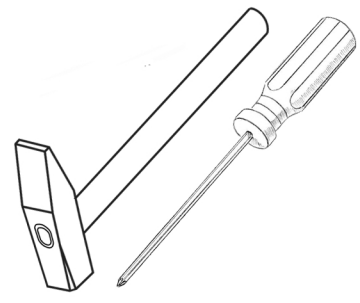


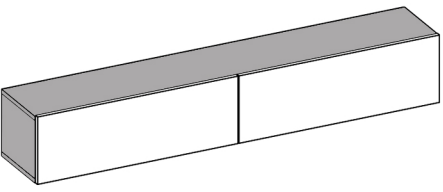
x6

x6

x6

x6



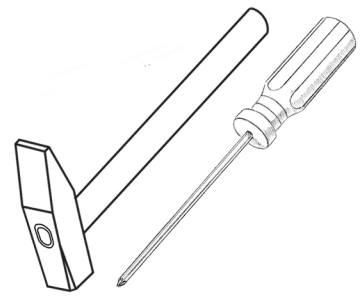
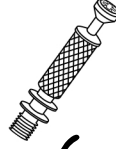
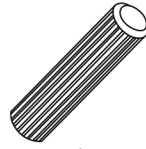


B0502

B0503

B0504

B0501

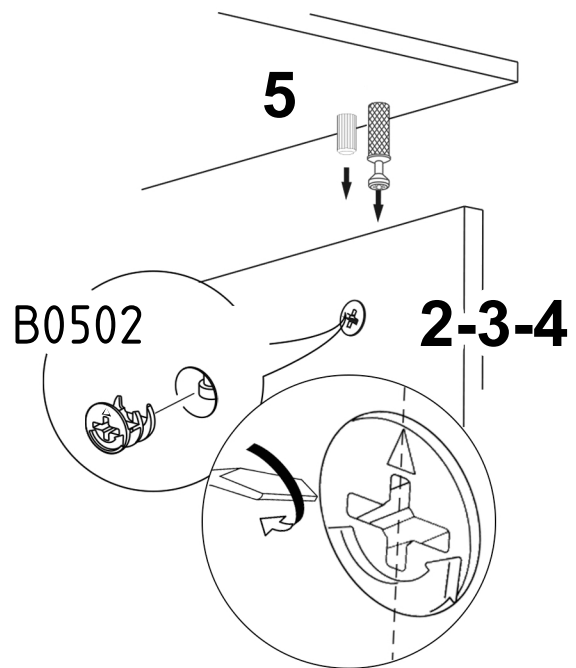
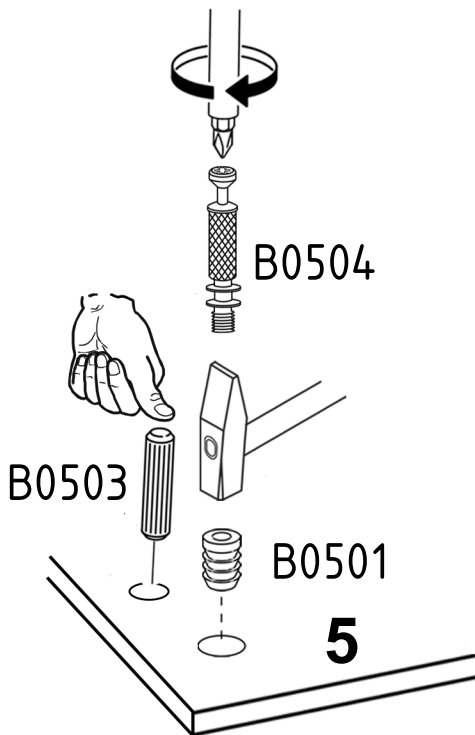
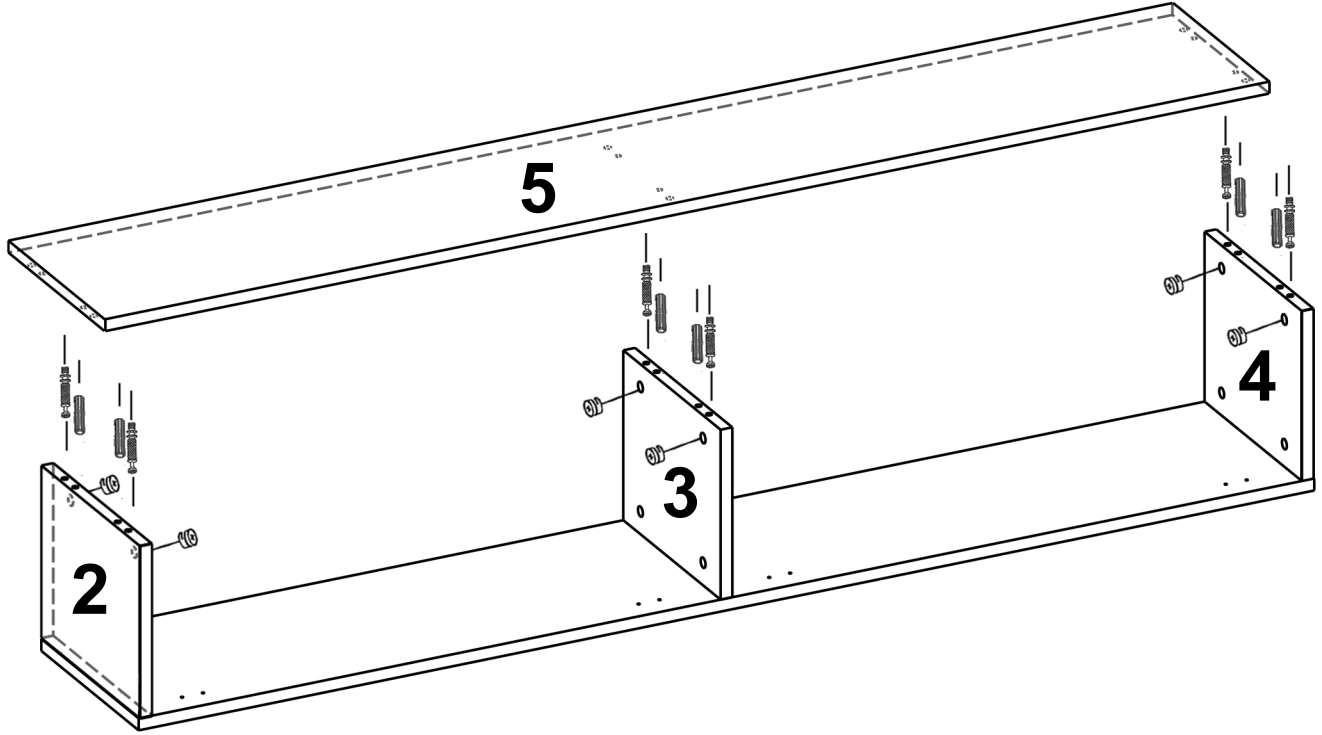


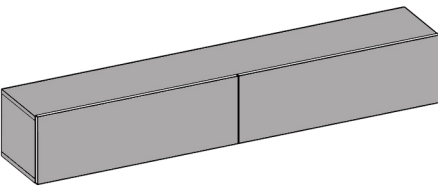
x6

x6

x6

x6



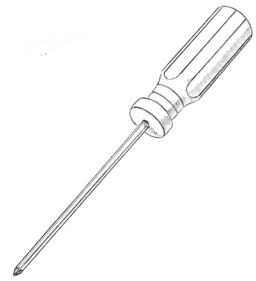
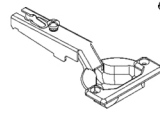
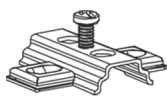


B0301

B0105

B0101

B1102

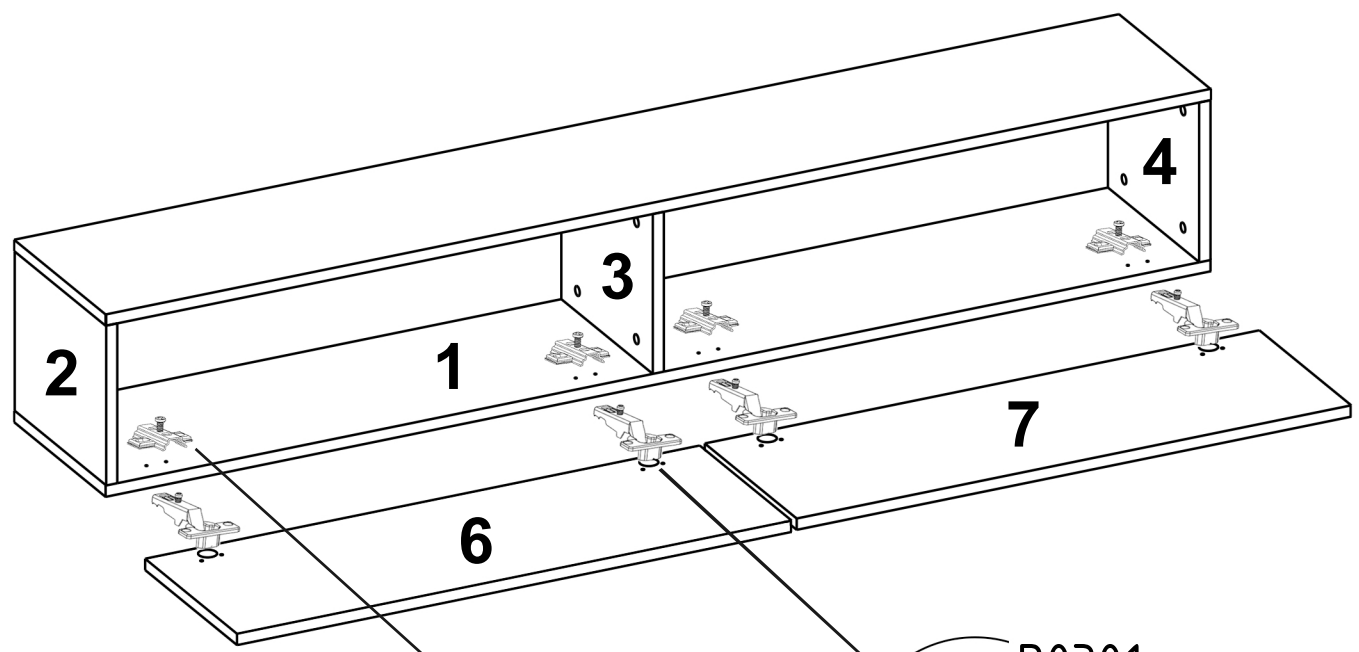


x32

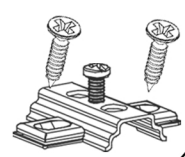
x4

x6

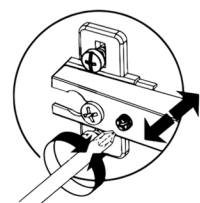
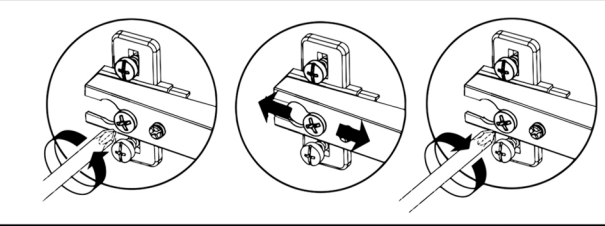
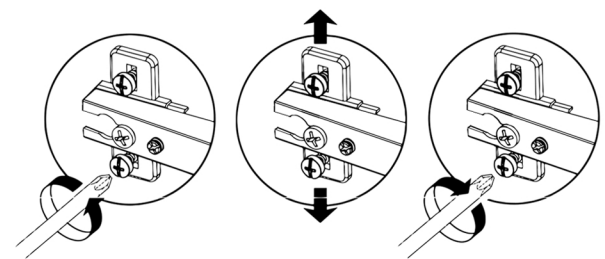
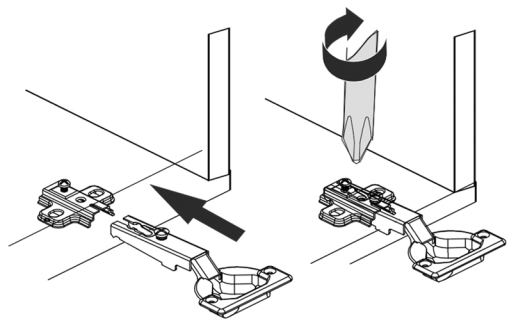
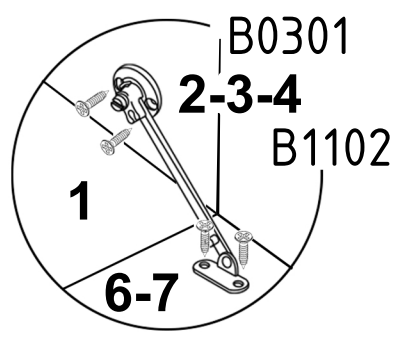
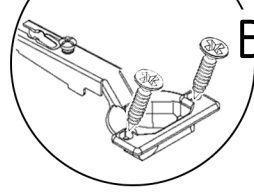
x4

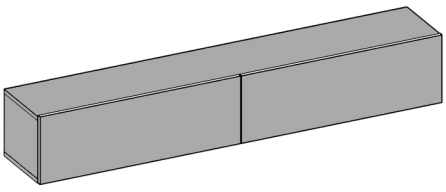


B0105
B0301



B0301
B0101





B0318 B1303 B0306 B0317 B0301

x28 x6 x6 x6 x14

