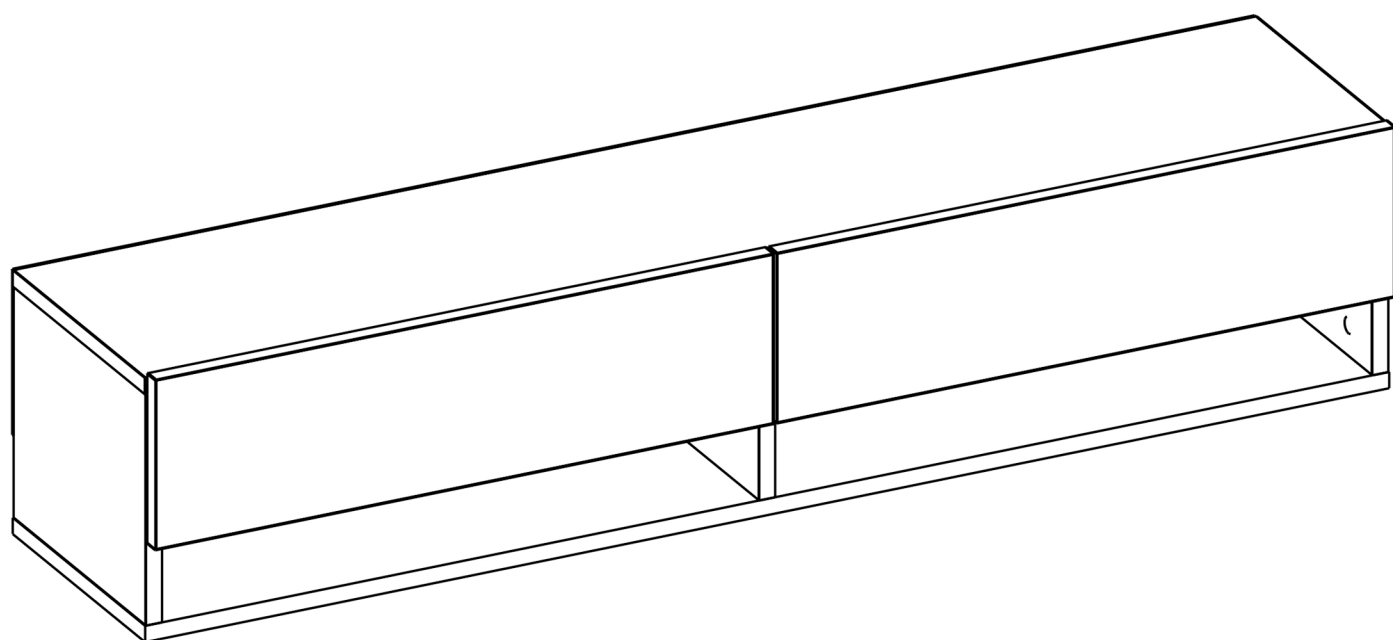


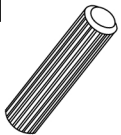


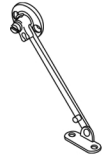


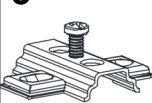
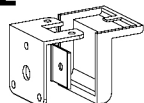
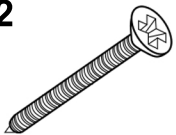
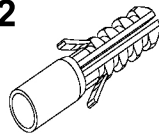
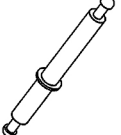
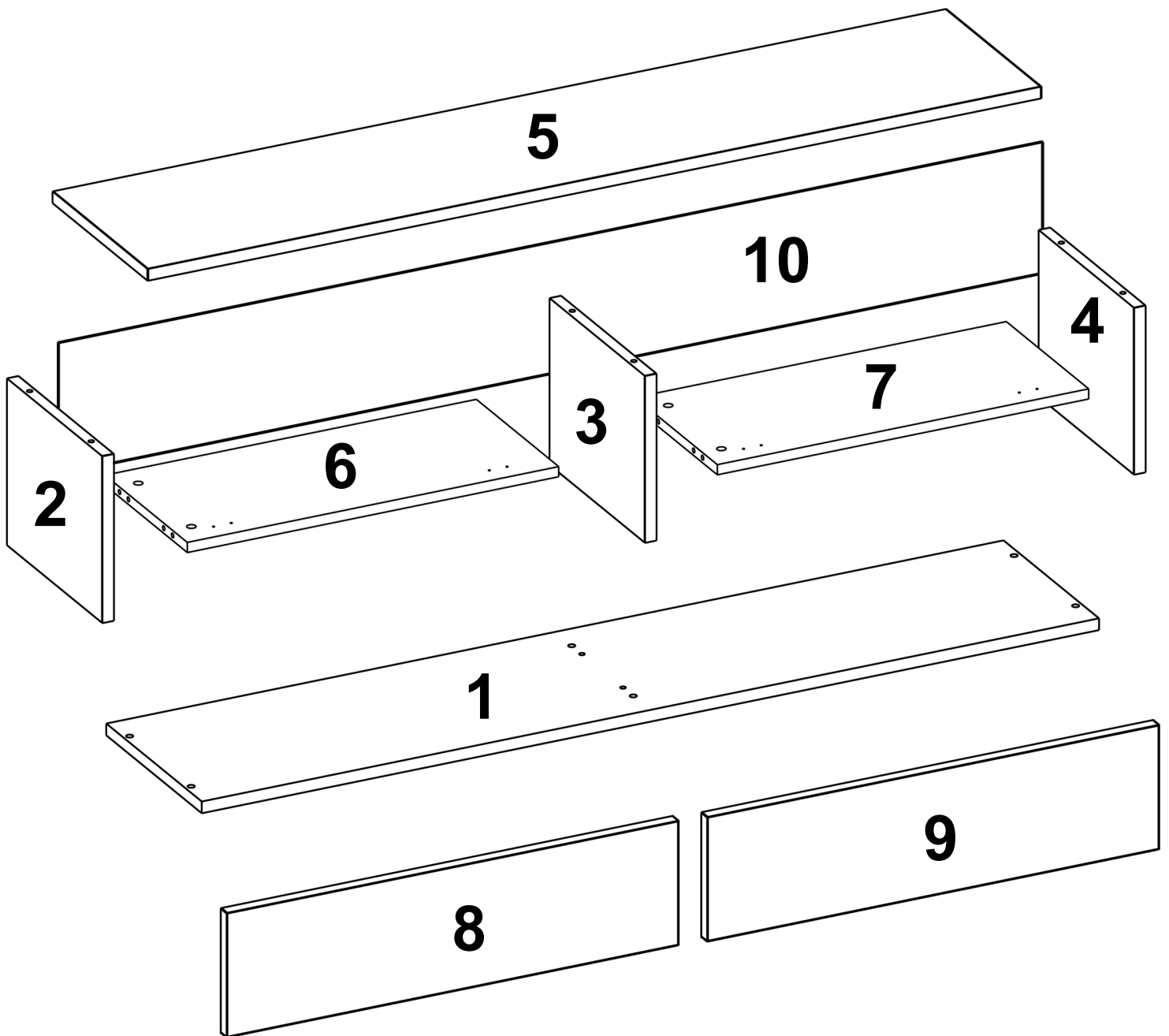


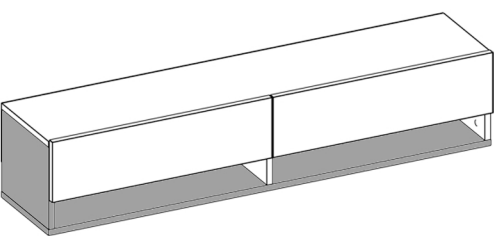
# FR11



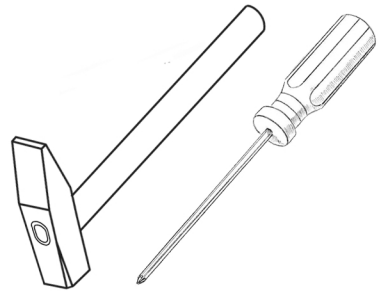
<b>1</b>  B0501 x16	<b>1</b>  B0502 x20	<b>1</b>  B0503 x16	<b>1</b>  B0504 x16	<b>2</b>  B0301 x44
<b>P</b>  B1102 x4	<b>2</b>  B0318 x28	<b>3</b>  B0101 x4	<b>3</b>  B0105 x4	<b>2</b>  B1303 x6
<b>2</b>  B0306 x6	<b>2</b>  B0317 x6	 B0506 x2		



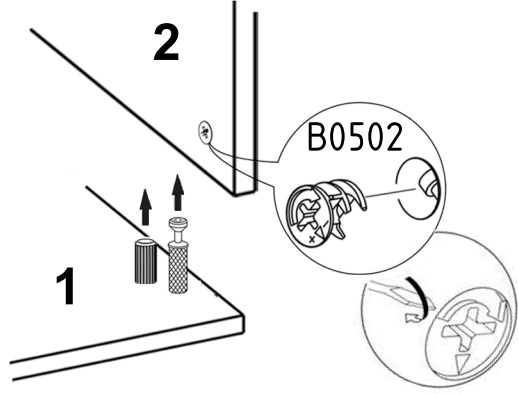
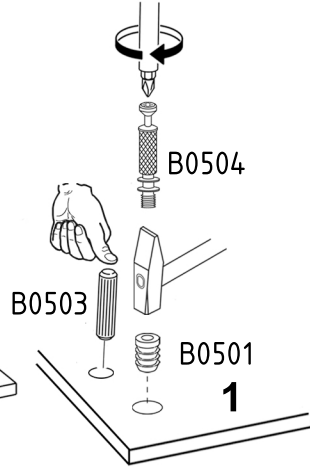
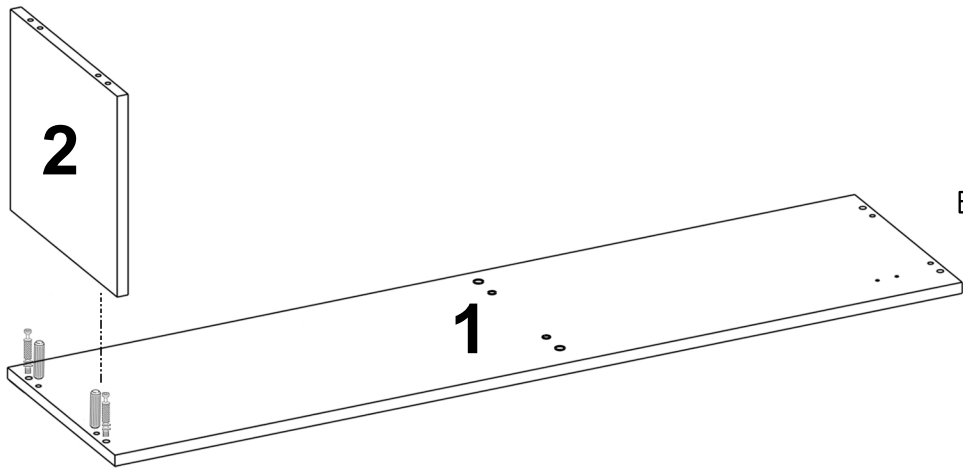




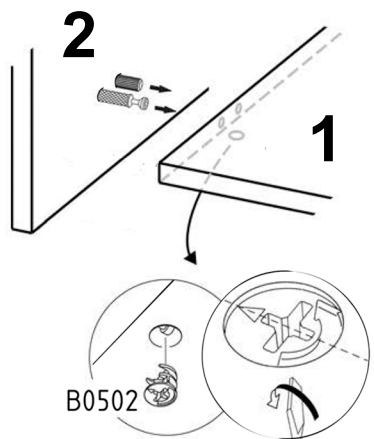
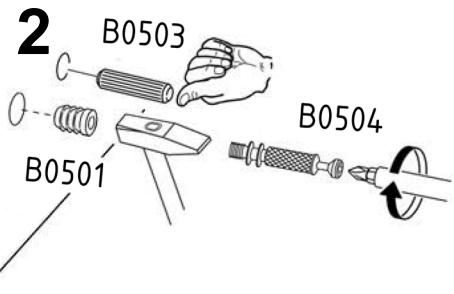
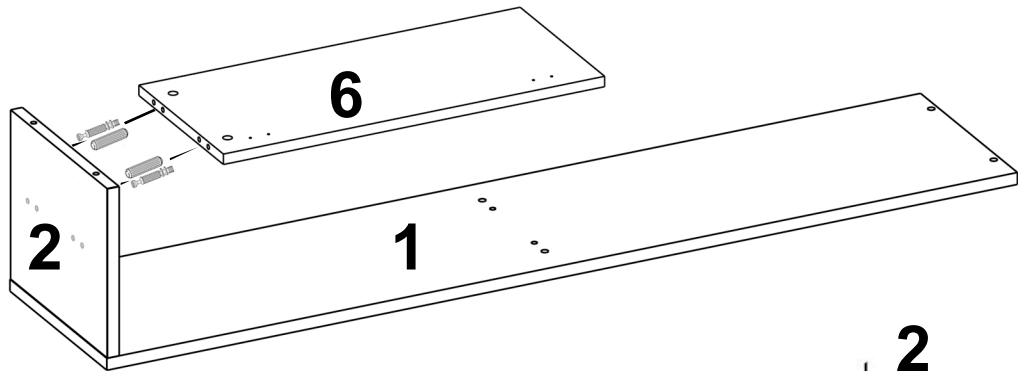
- B0502 X4
- B0503 X4
- B0504 X4
- B0501 X4



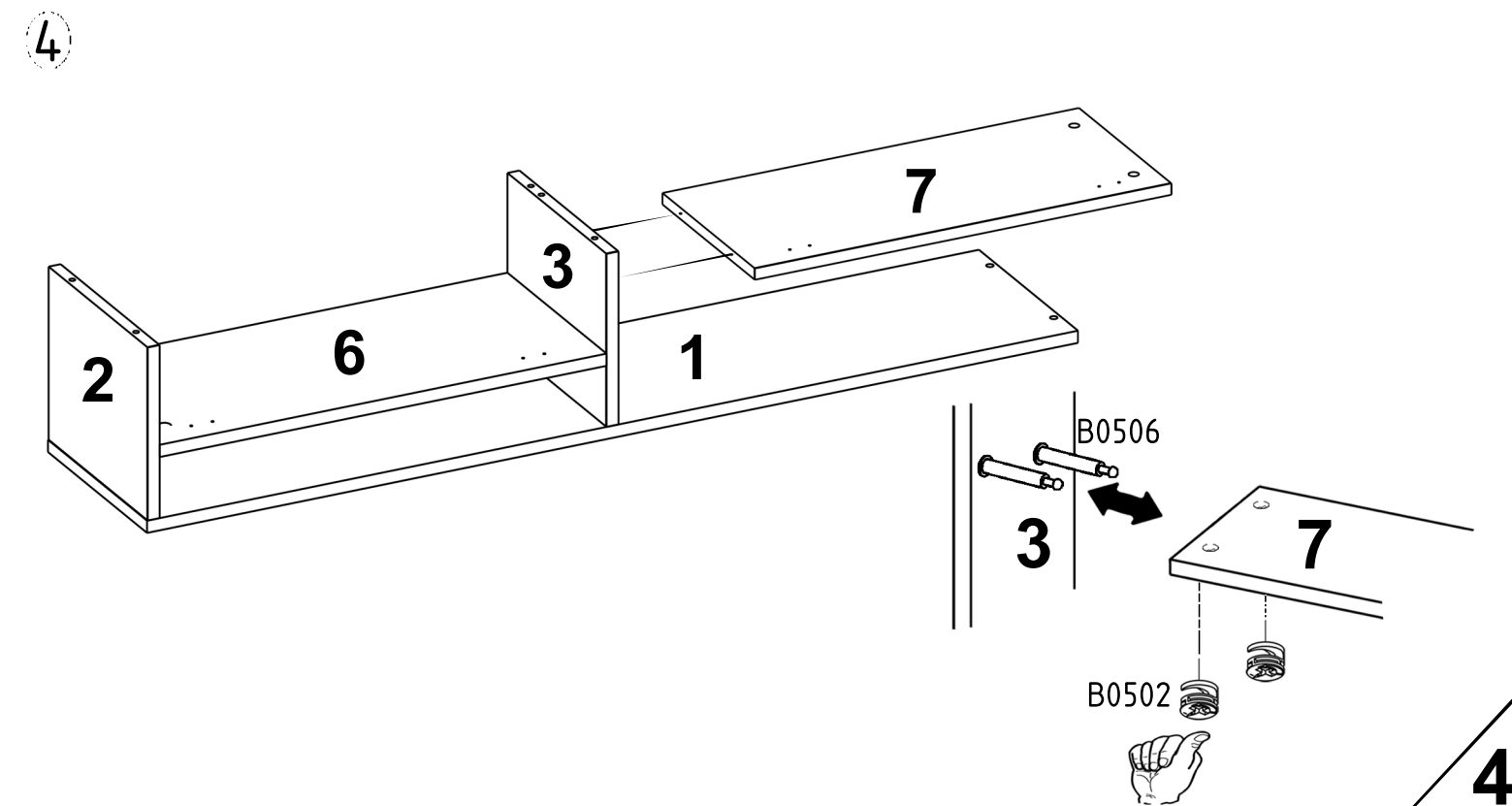
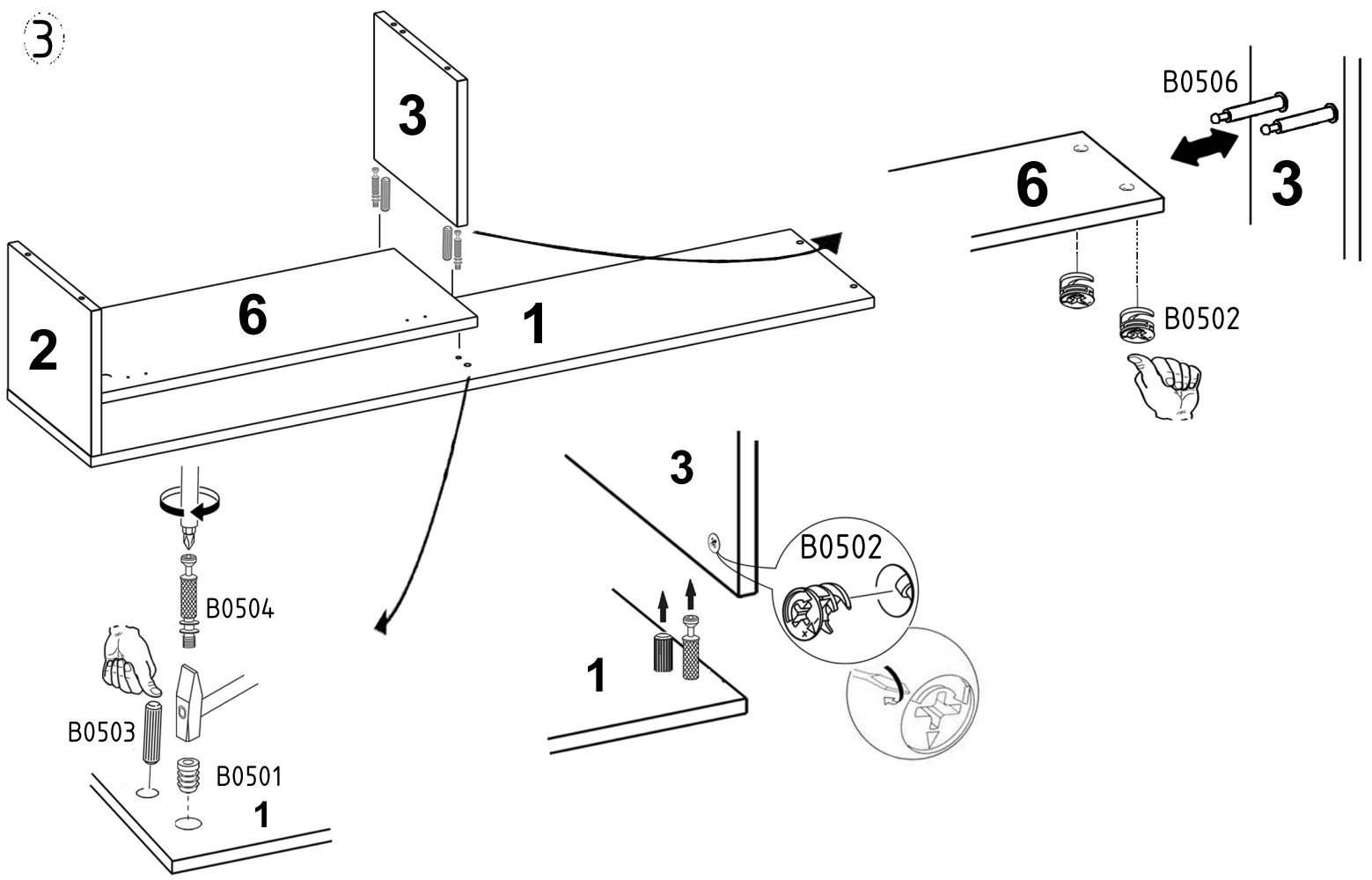
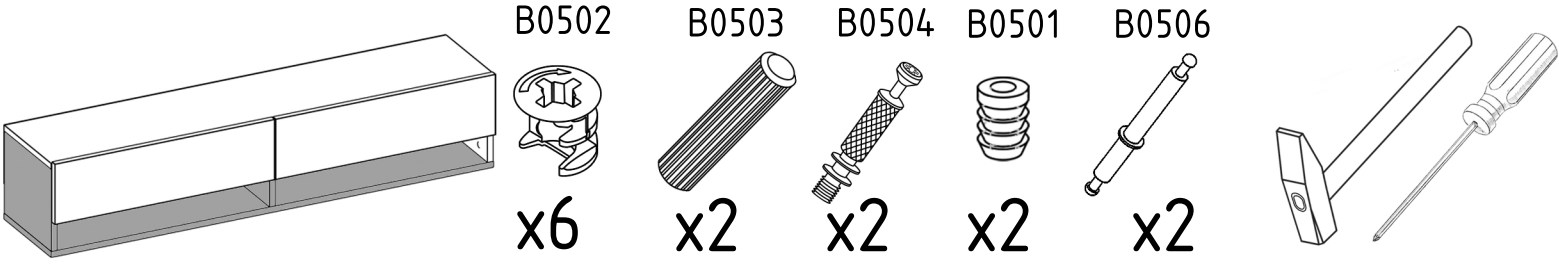
1

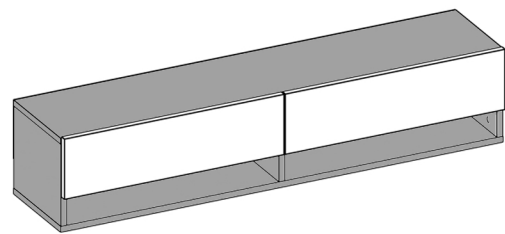


2



3



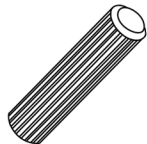


B0502

B0503

B0504

B0501

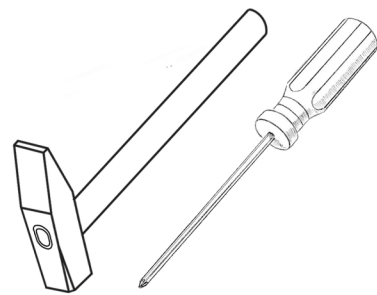


x10

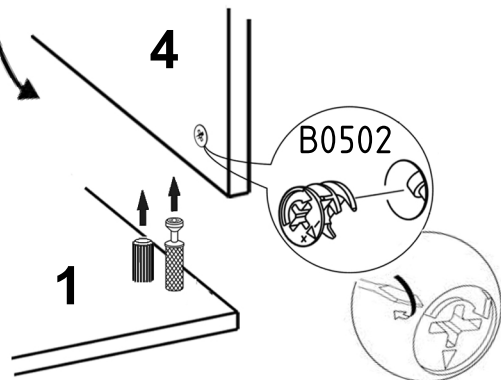
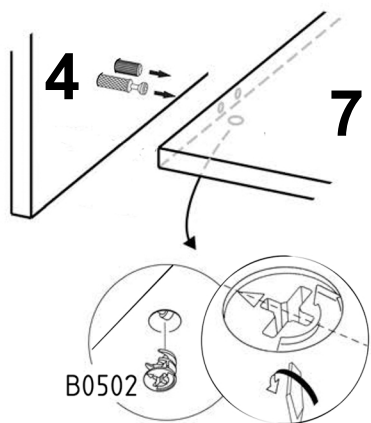
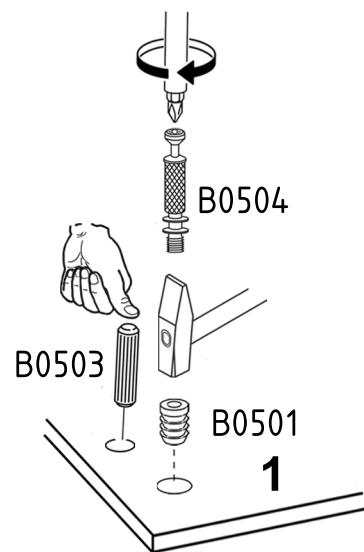
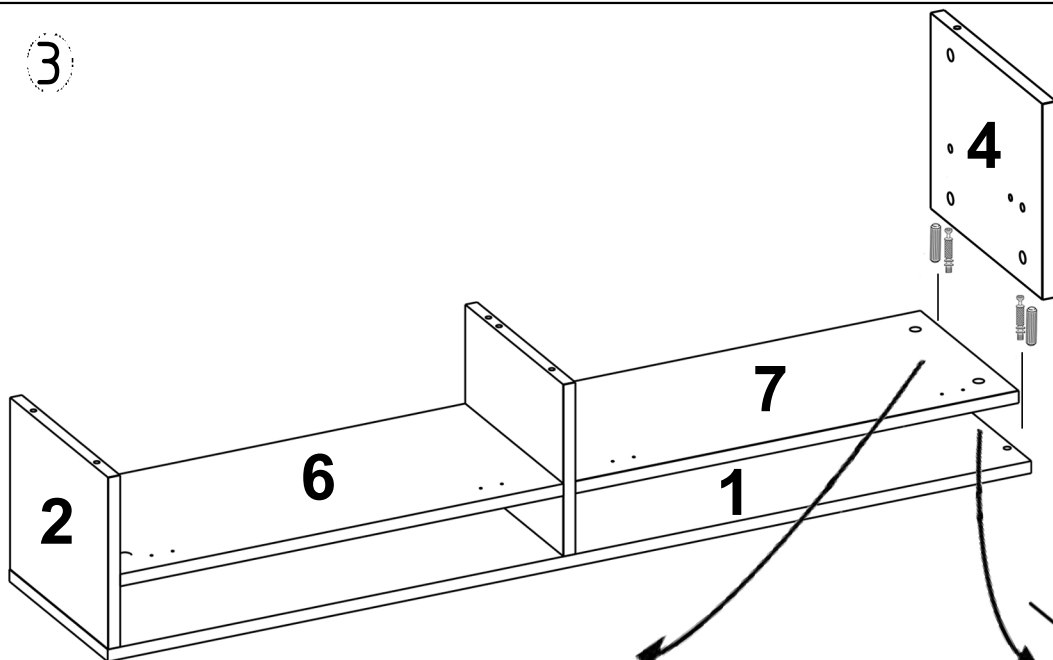
x10

x10

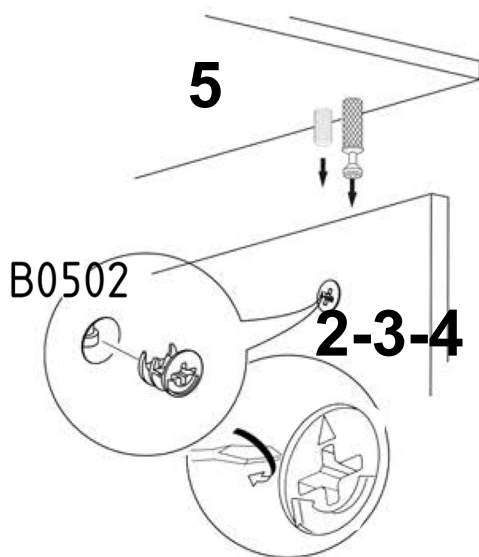
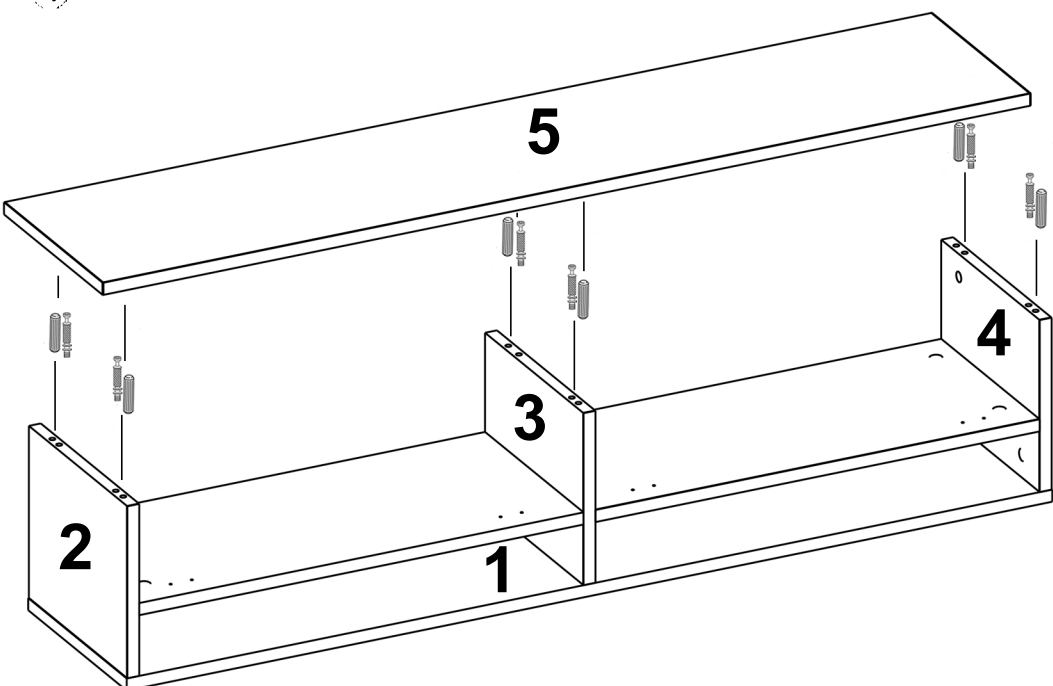
x10



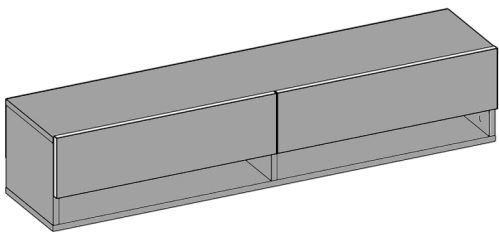
3



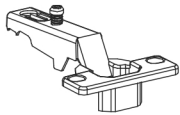
4



5

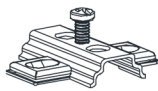


B0101



x4

B0105



x4

B0301

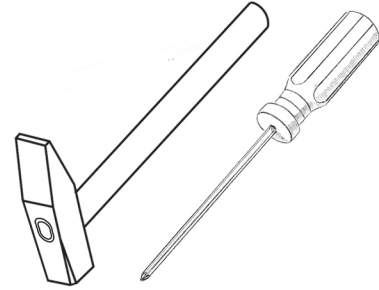


x32

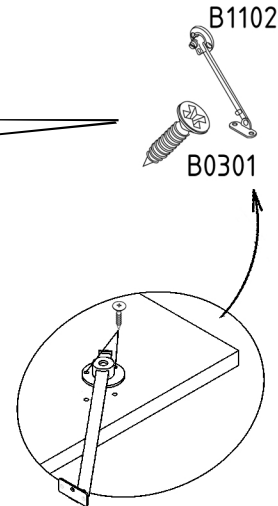
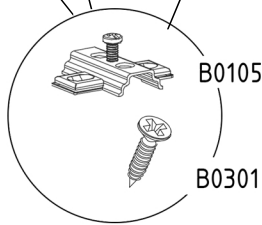
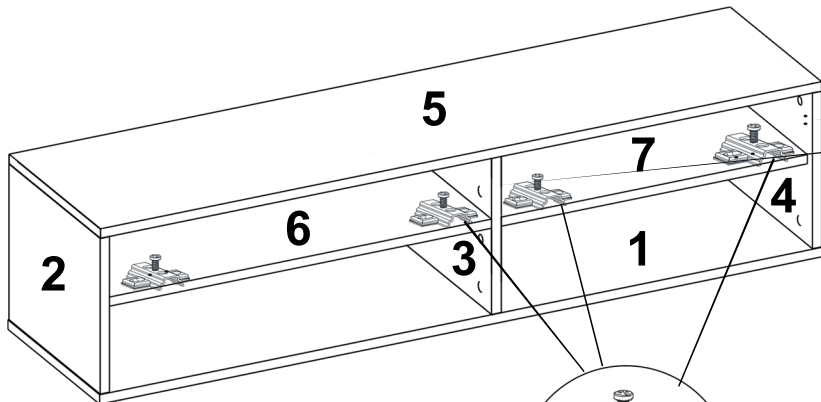
B1102



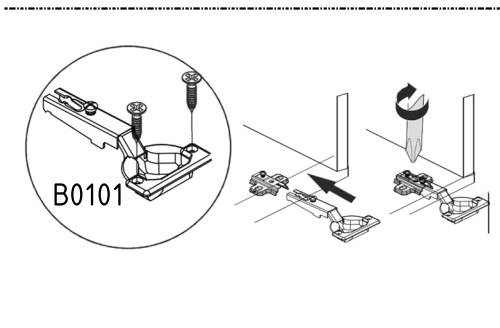
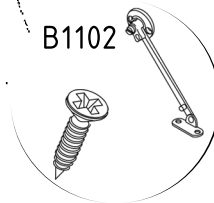
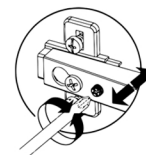
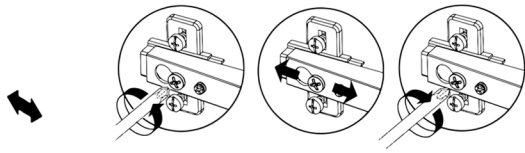
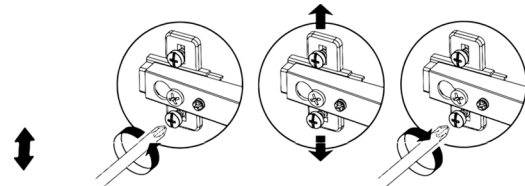
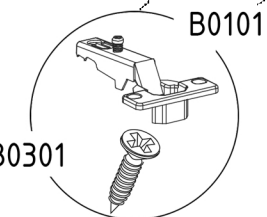
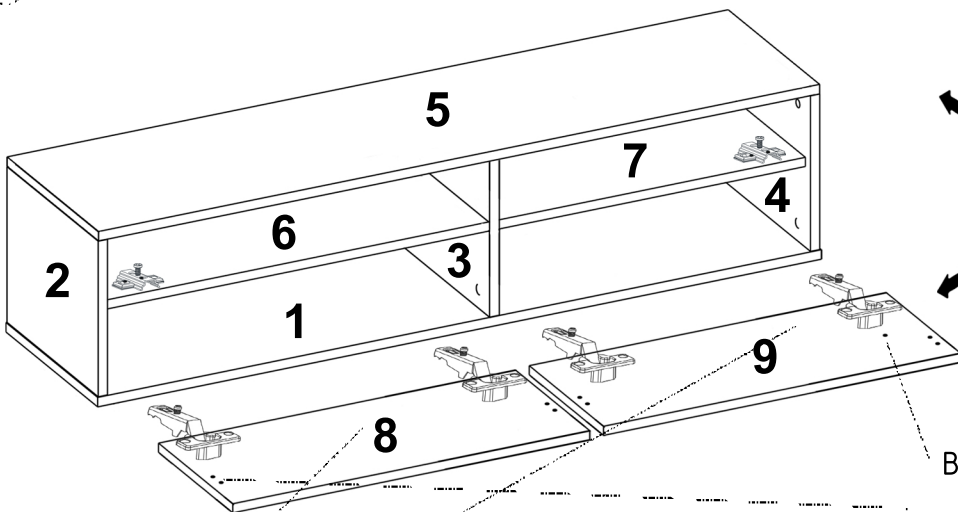
x4

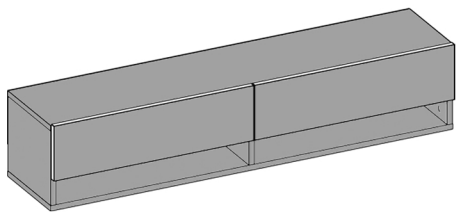


5



6





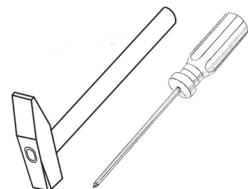
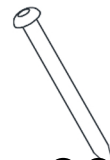
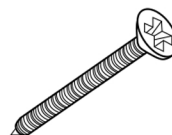
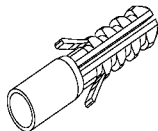
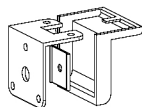
B1303

B0317

B0301

B0306

B0318



x6

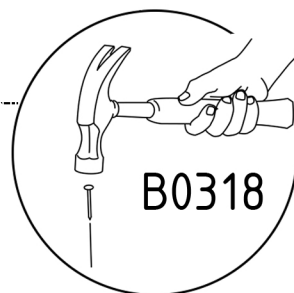
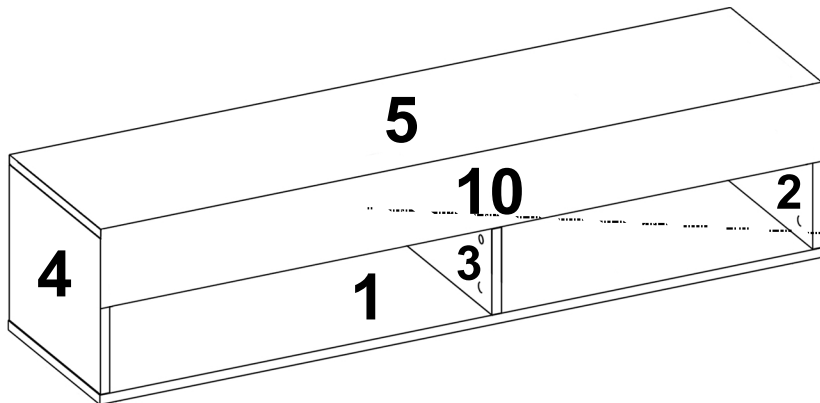
x6

x12

x6

x28

7



8

