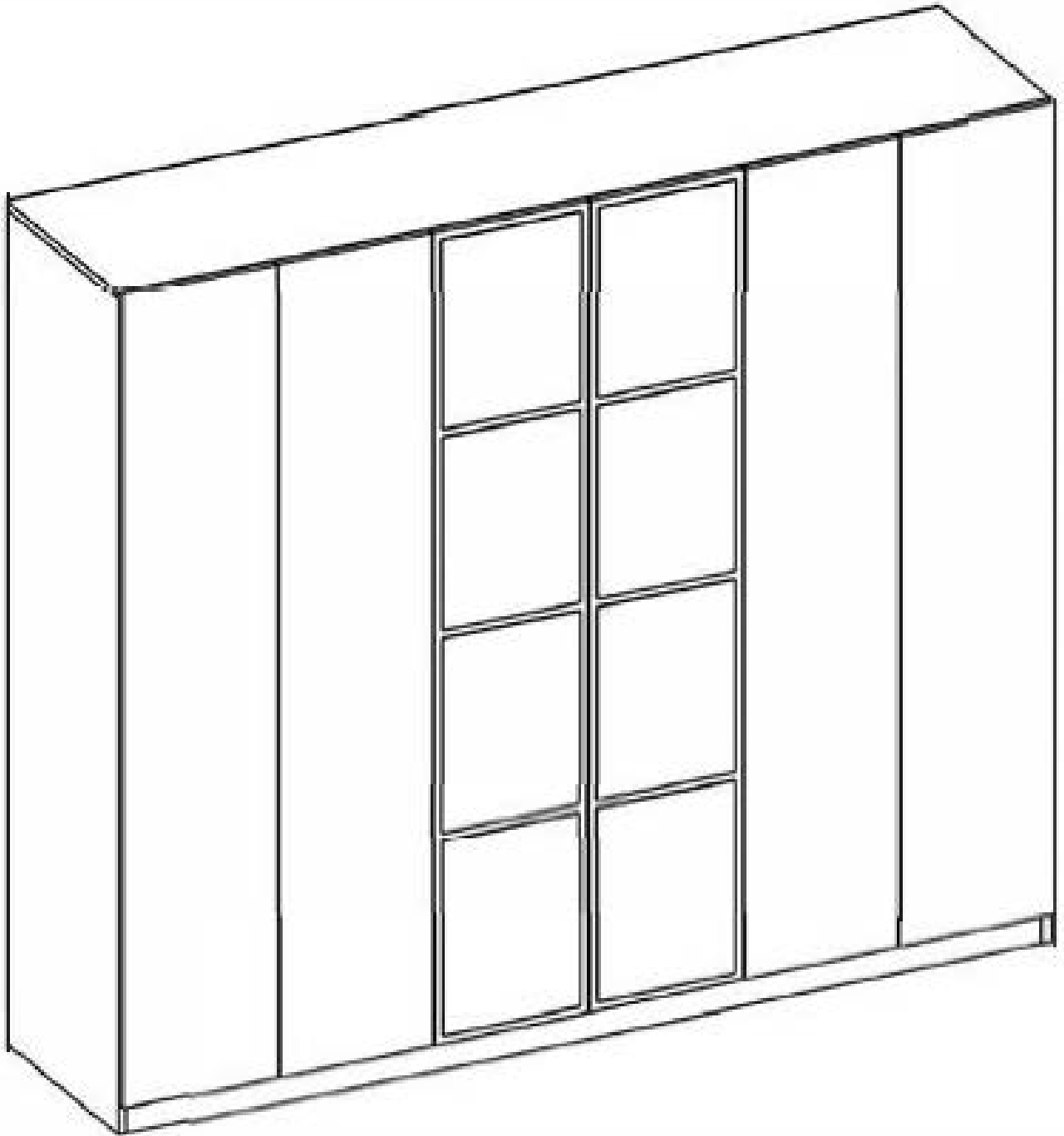
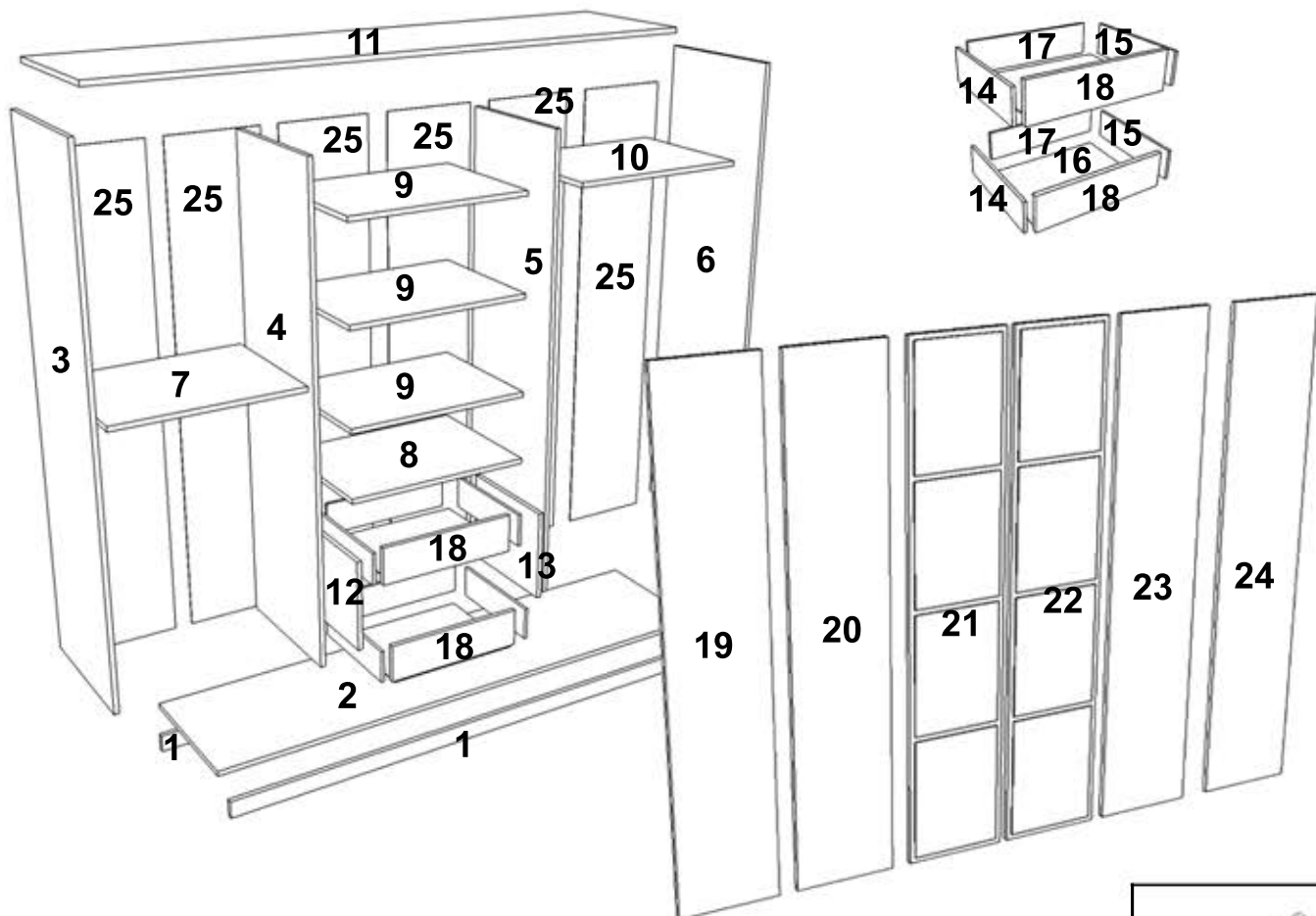
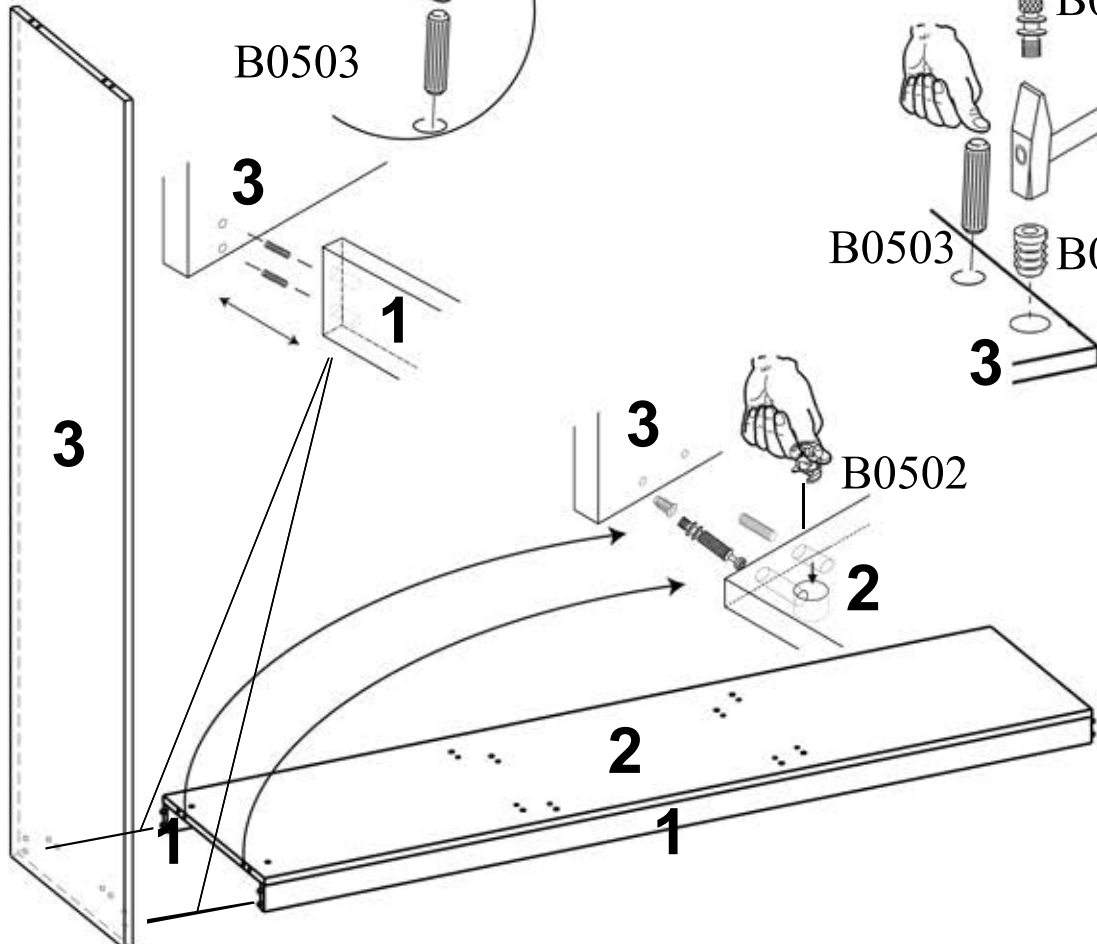
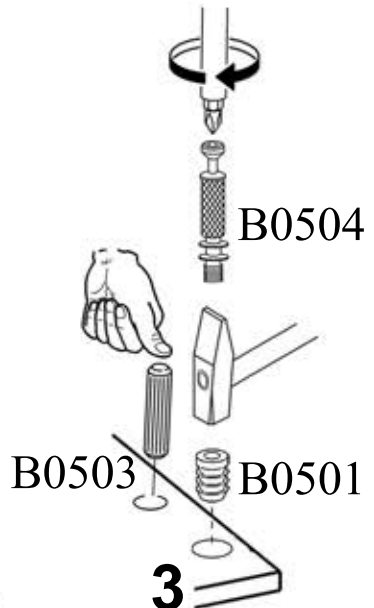
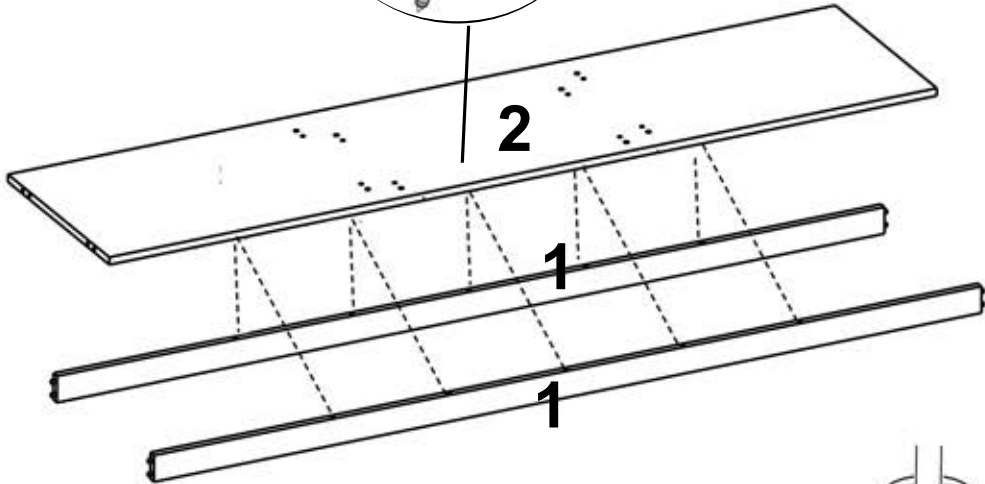
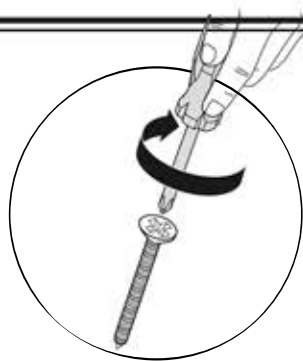
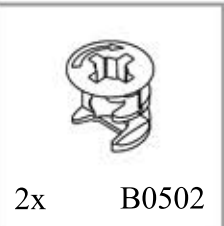


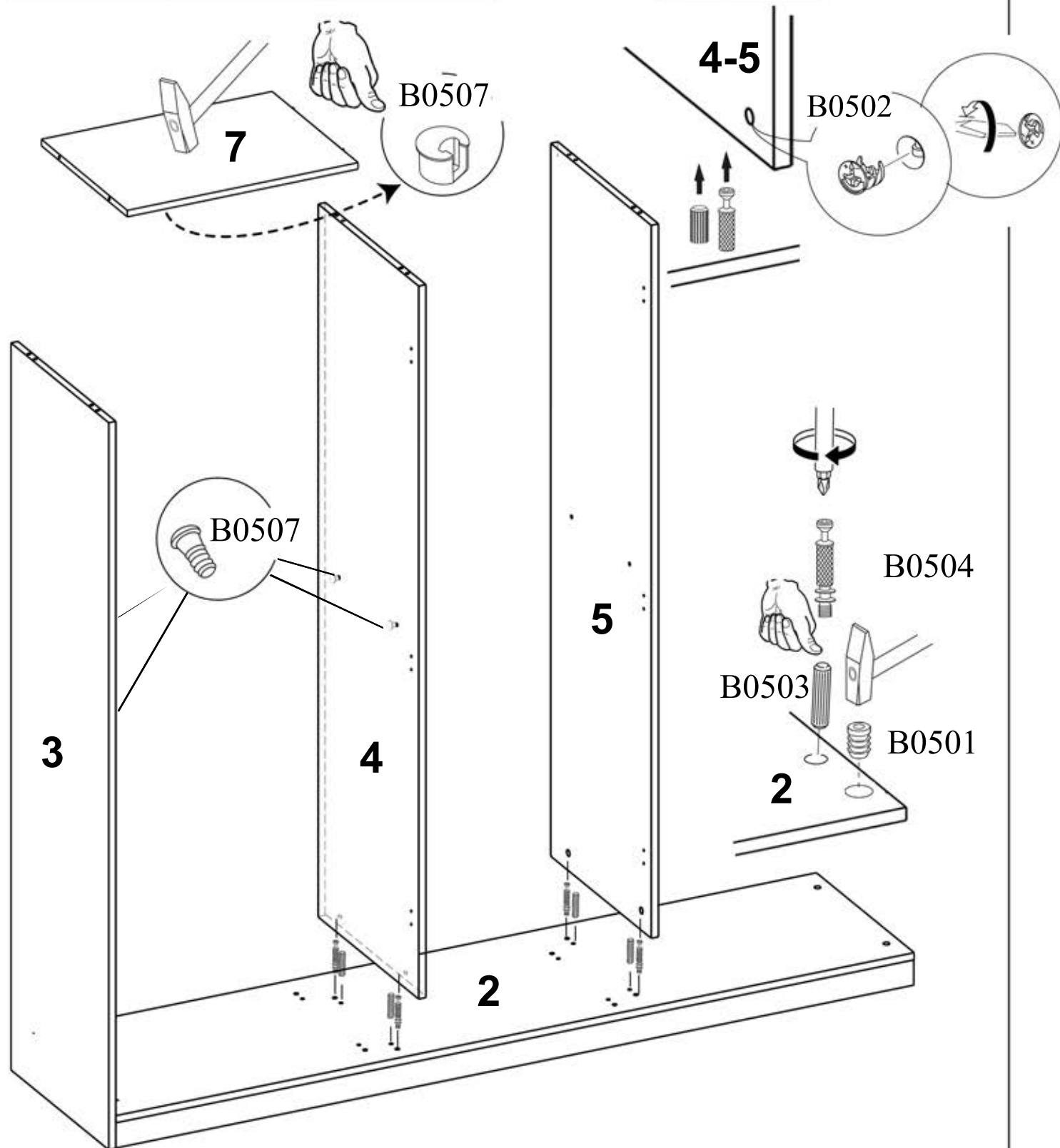
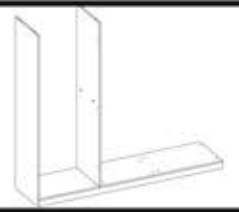
HM3

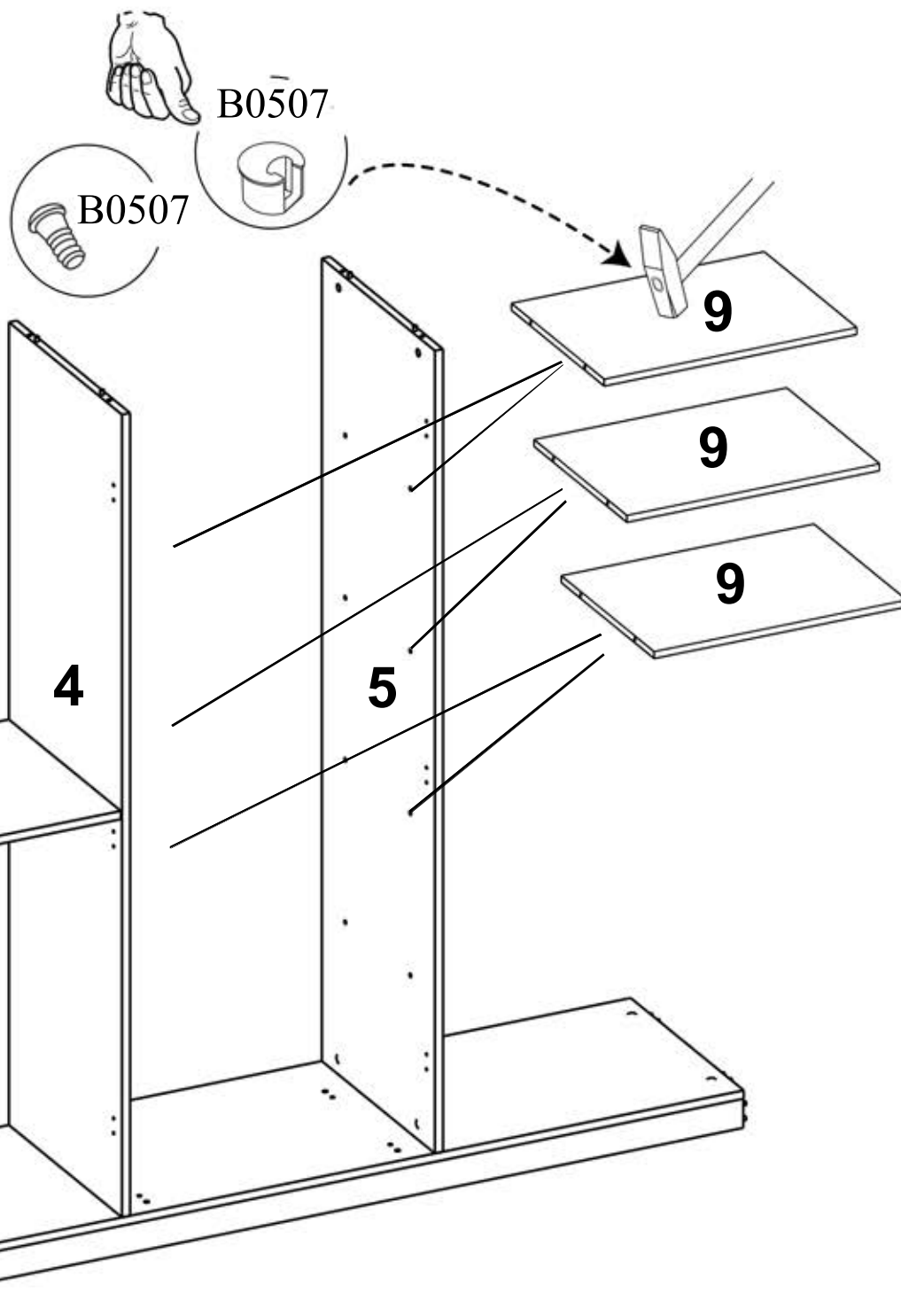
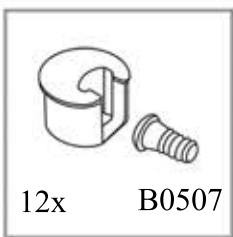


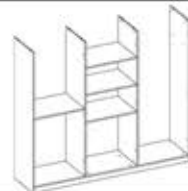






<p>20x B0502</p>	<p>20x B0504</p>	<p>32x B0503</p>	<p>18x B0304</p>	<p>18x B0105</p>	<p>6x B0101</p>
<p>4x B0905</p>	<p>20x B0501</p>	<p>105x B0318</p>	<p>104x B0301</p>	<p>8x B0511</p>	<p>8x B0510</p>
<p>4x B0328</p>	<p>24x B0507</p>	<p>6x B0602</p>	<p>655mm 3x B0601</p>	<p>(1,77) 3x G0605</p>	<p>12x B0102</p>

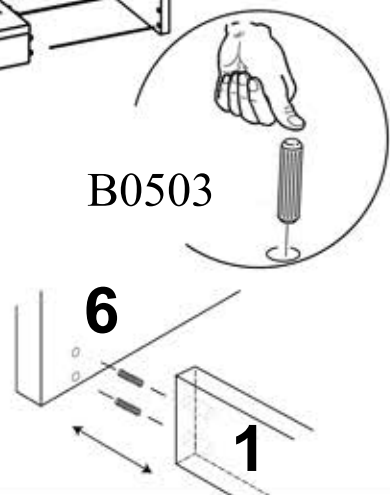
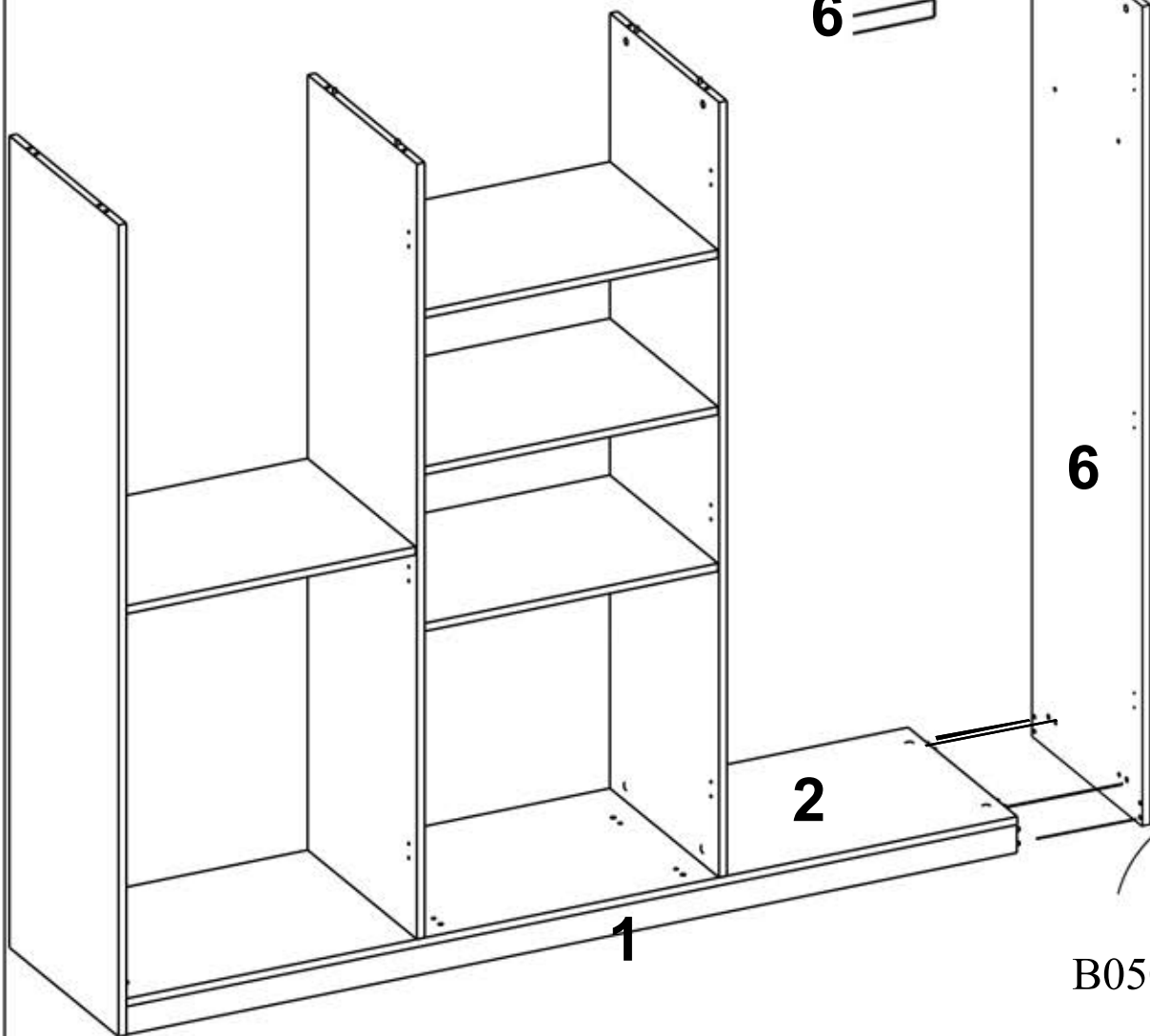
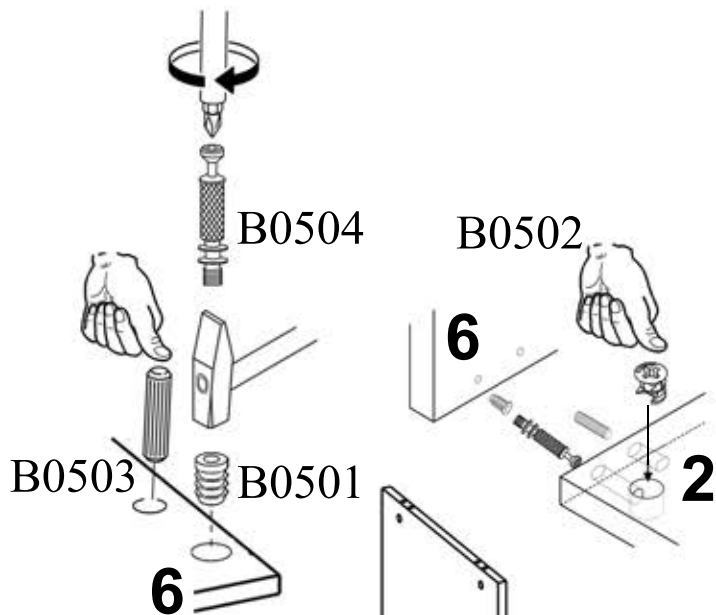


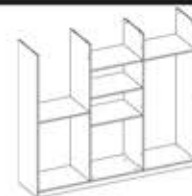




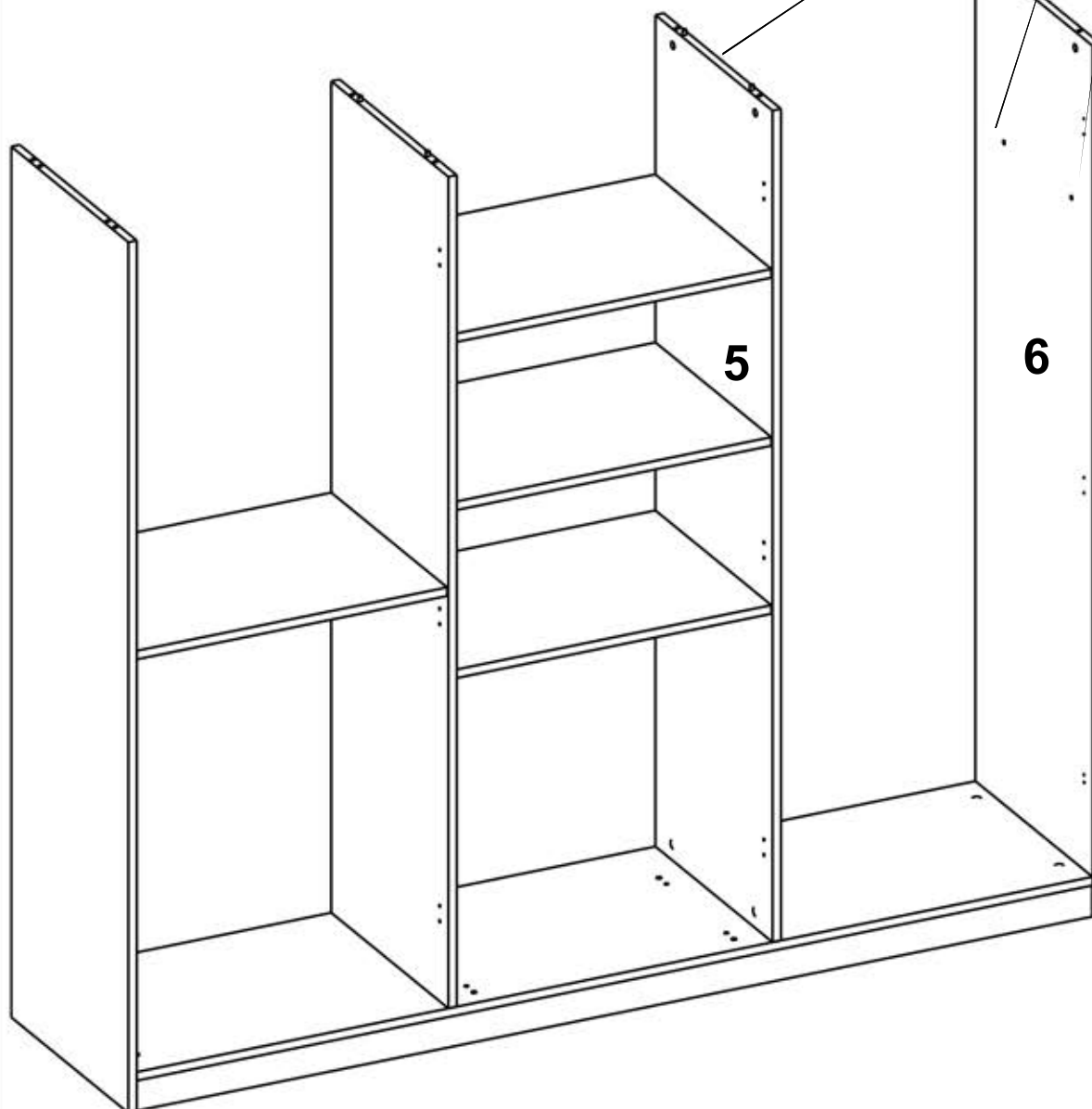
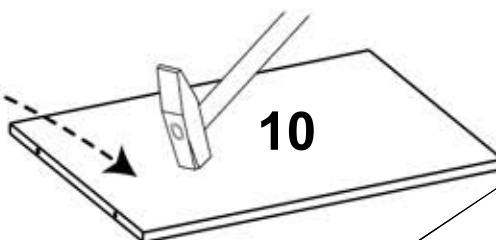


 2x B0502	 2x B0504
 2x B0501	 6x B0503



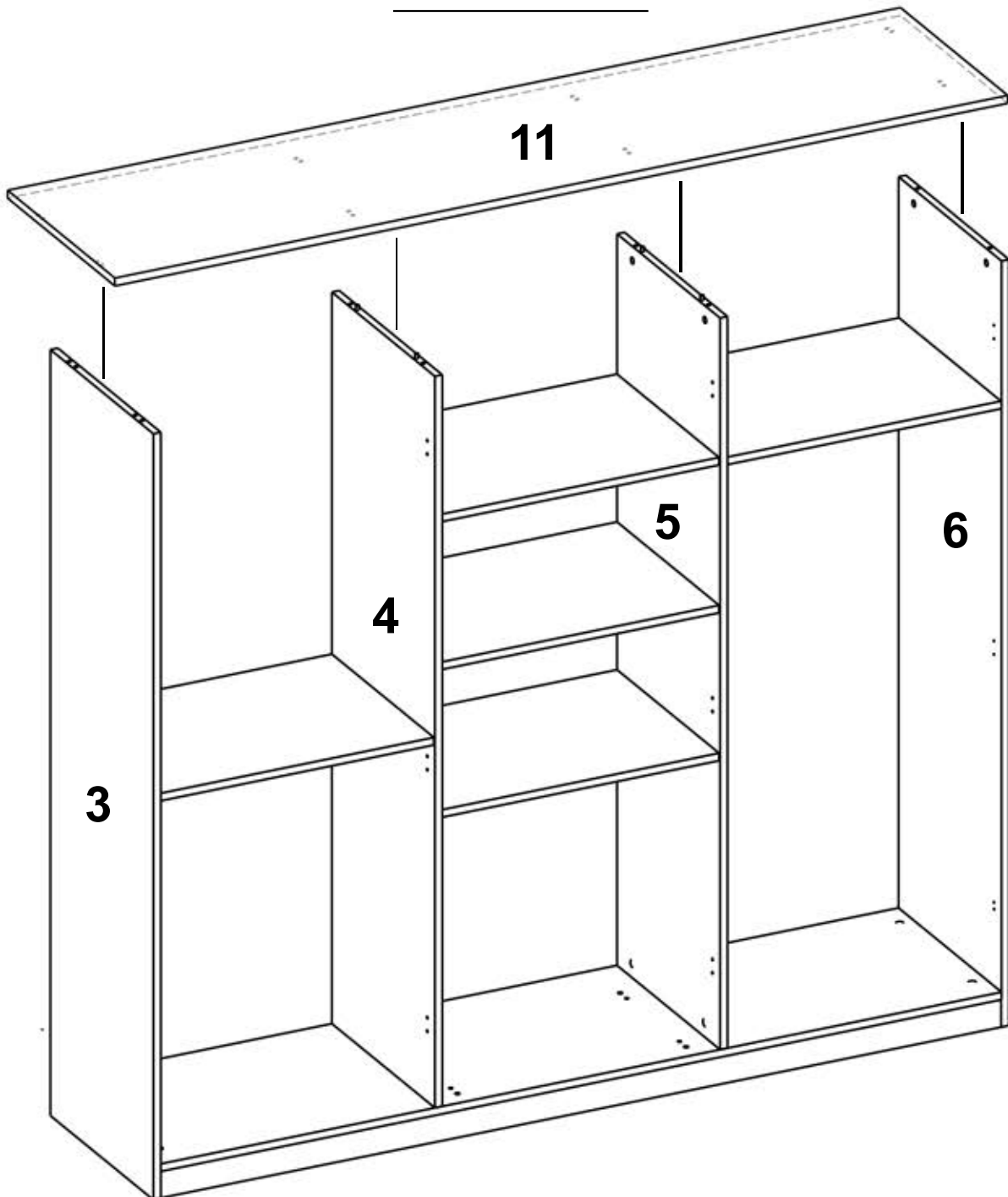
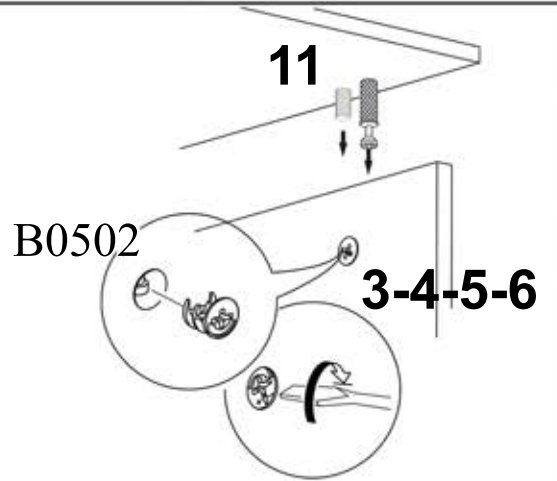
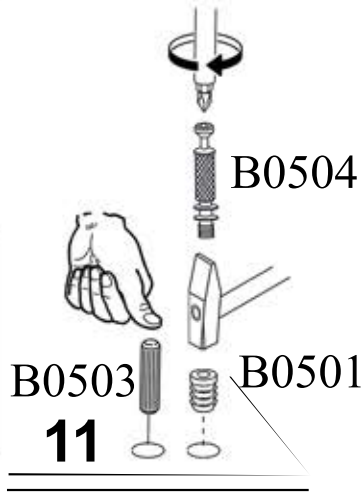
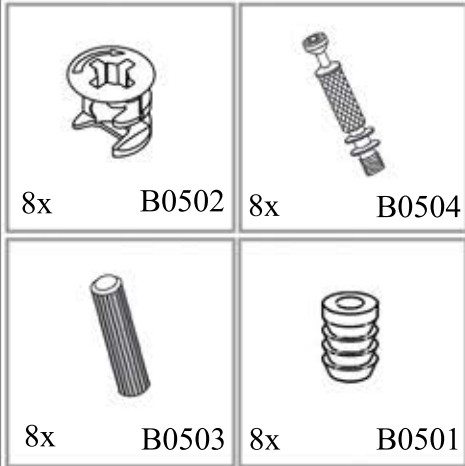


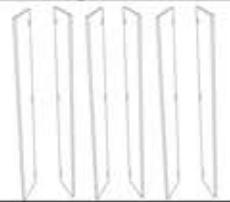
B0507



7/16

HM3





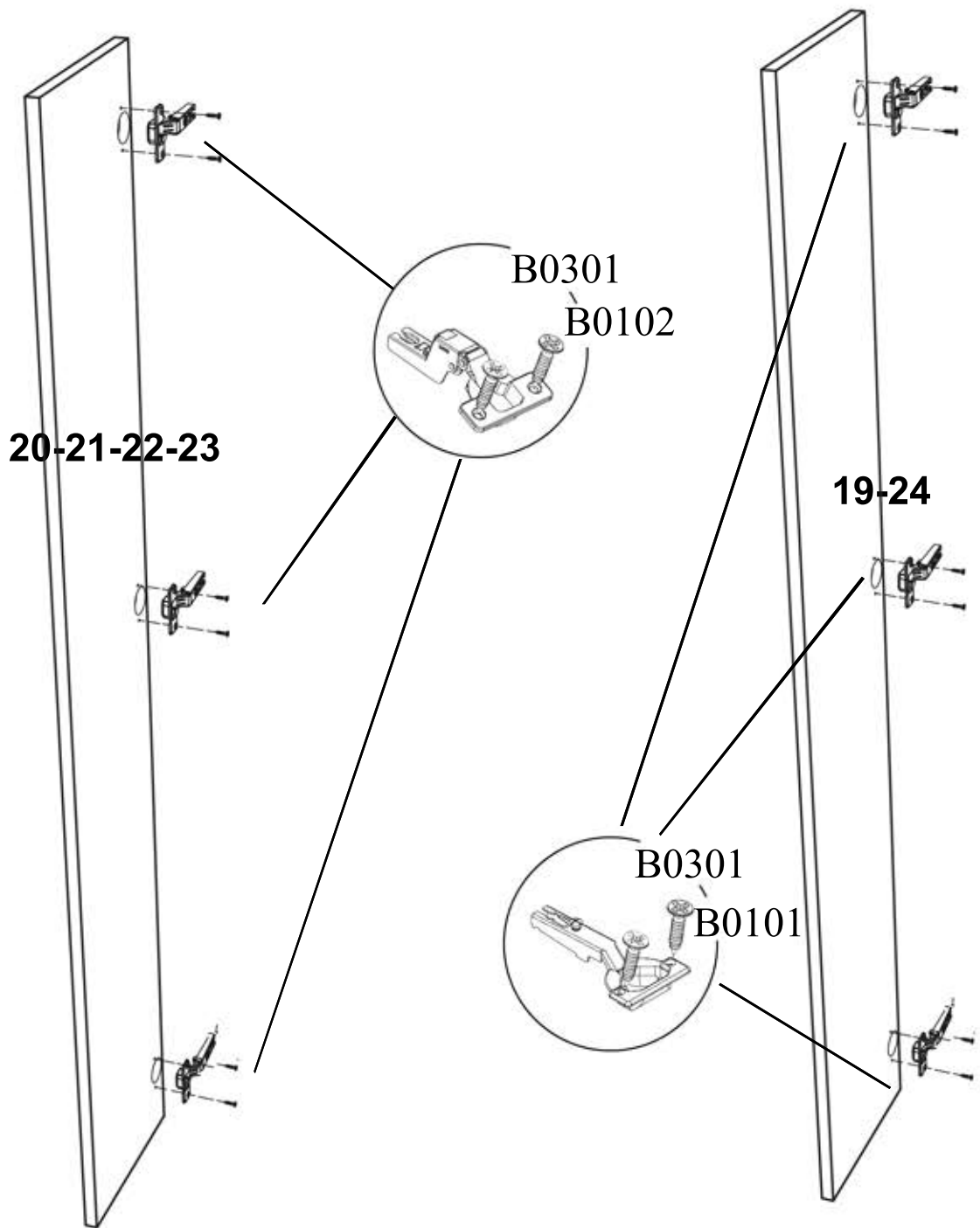
6x B0101



12x B0102



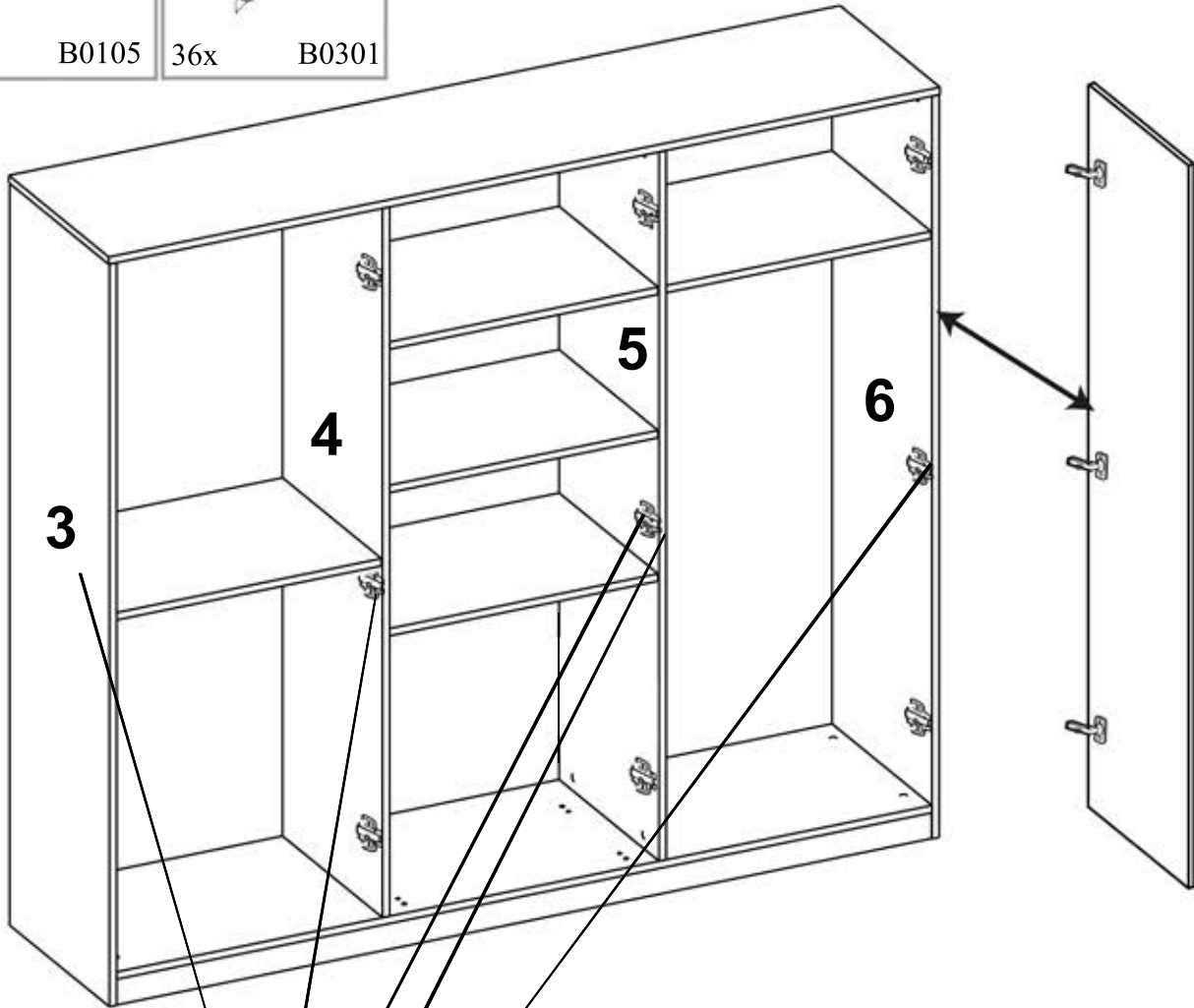
36x B0301



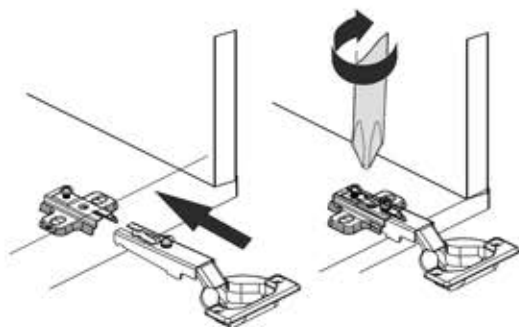
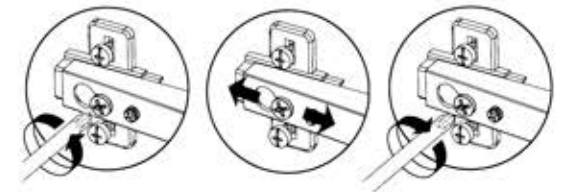
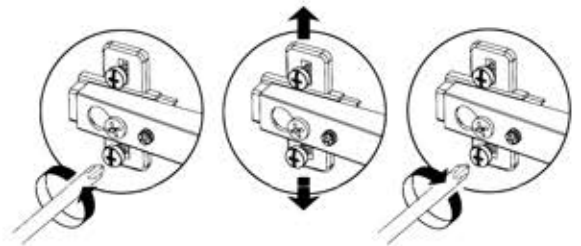
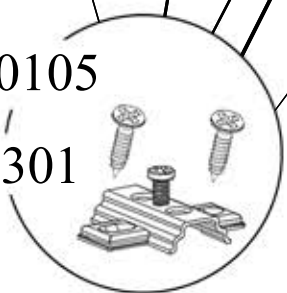


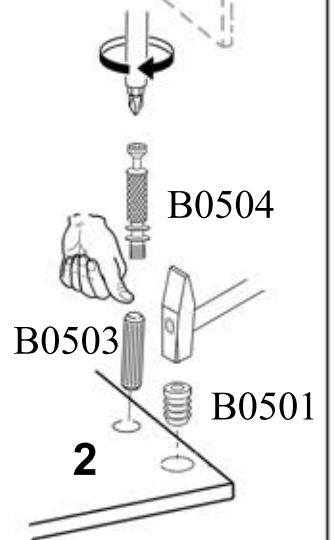
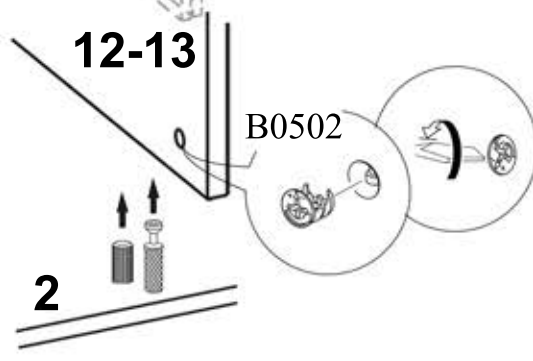
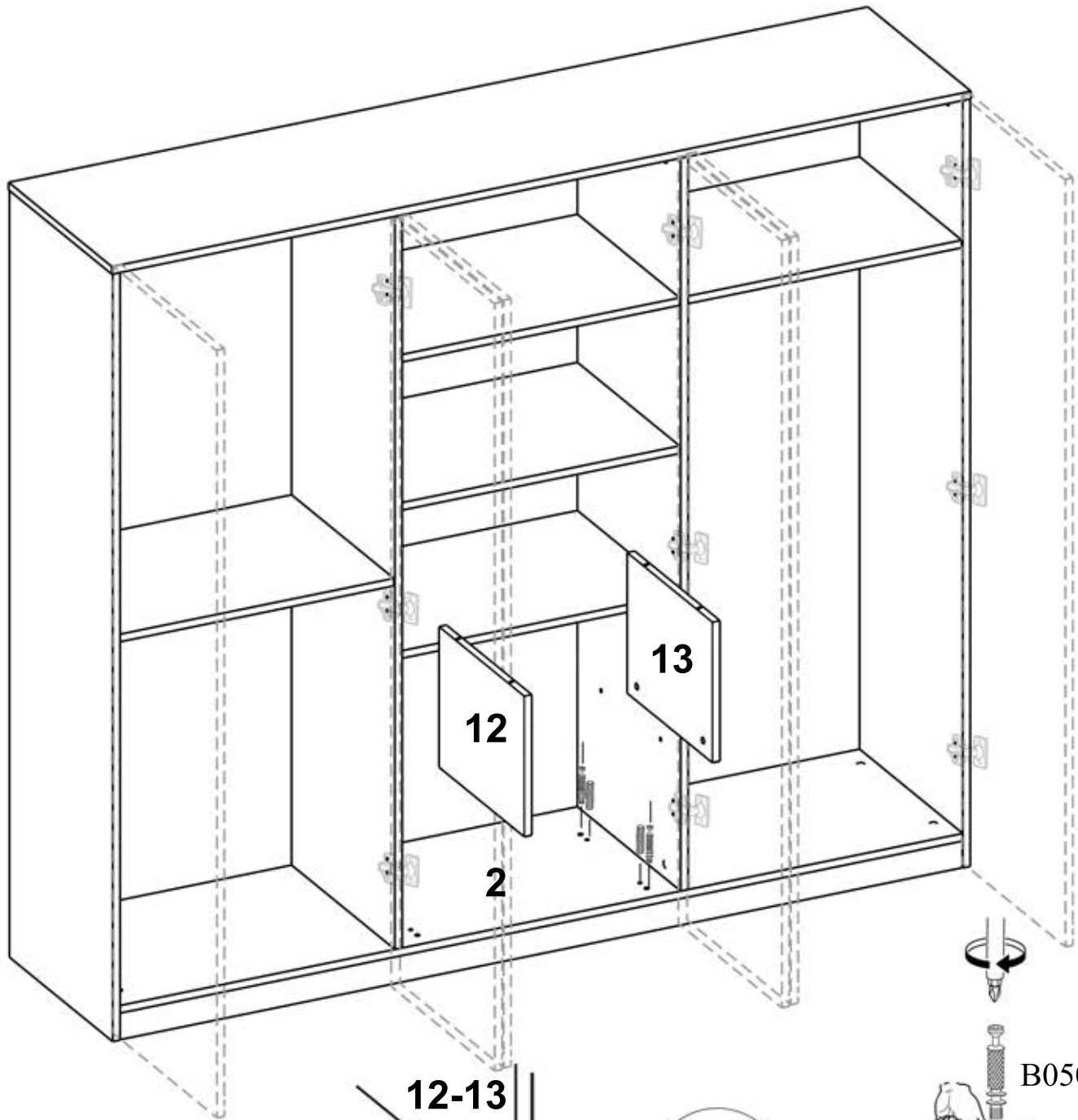
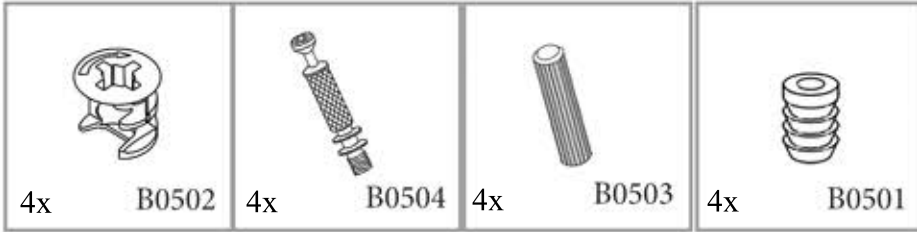
18x B0105

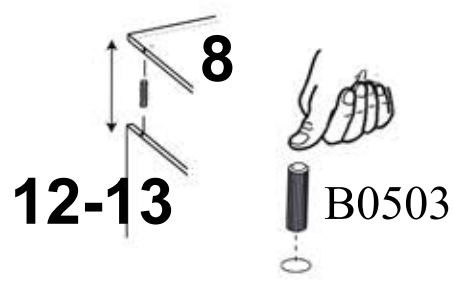
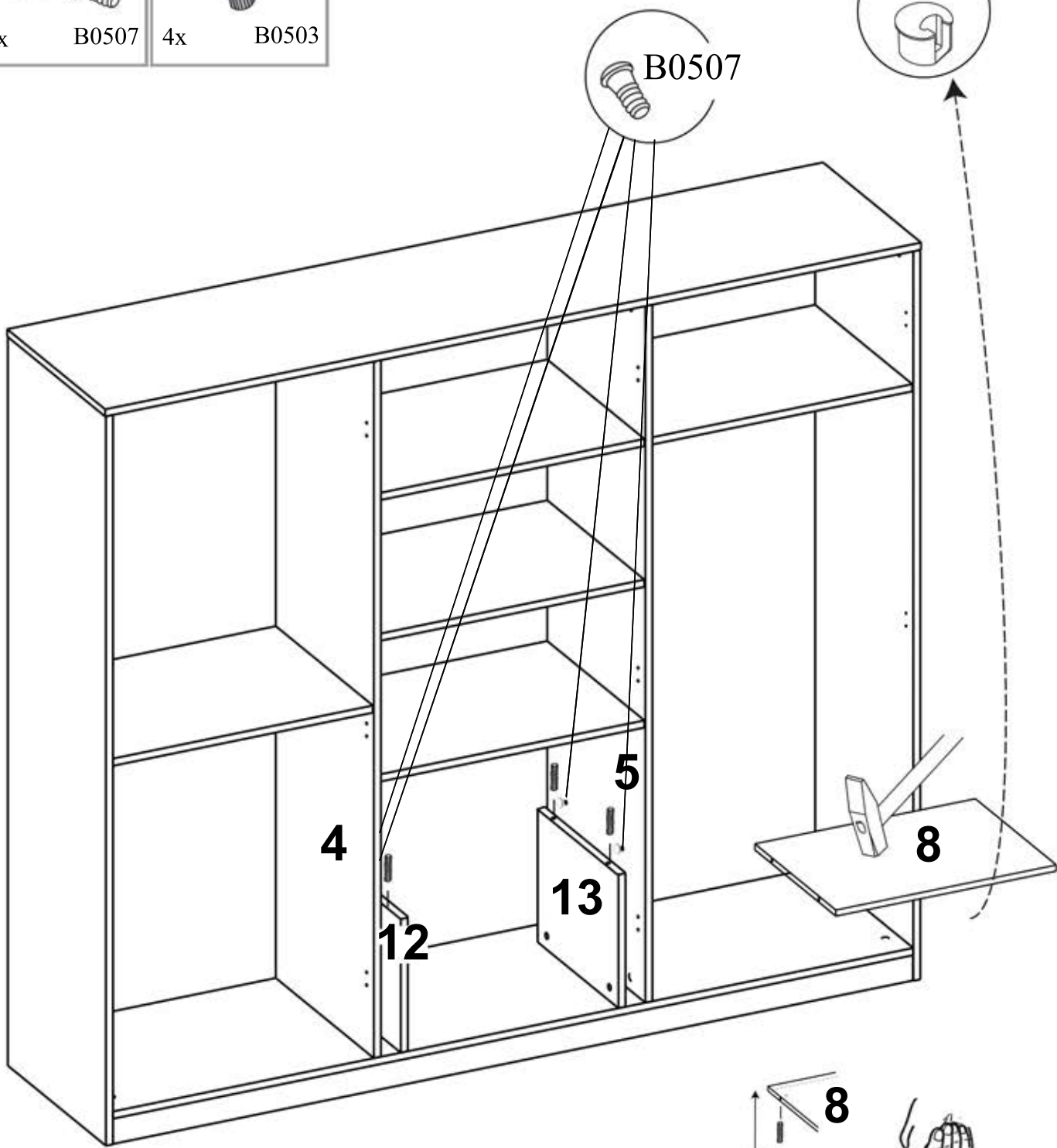
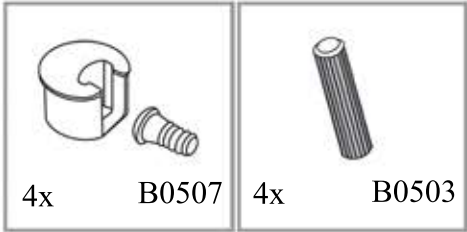
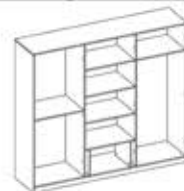
36x B0301







B0105
B0301

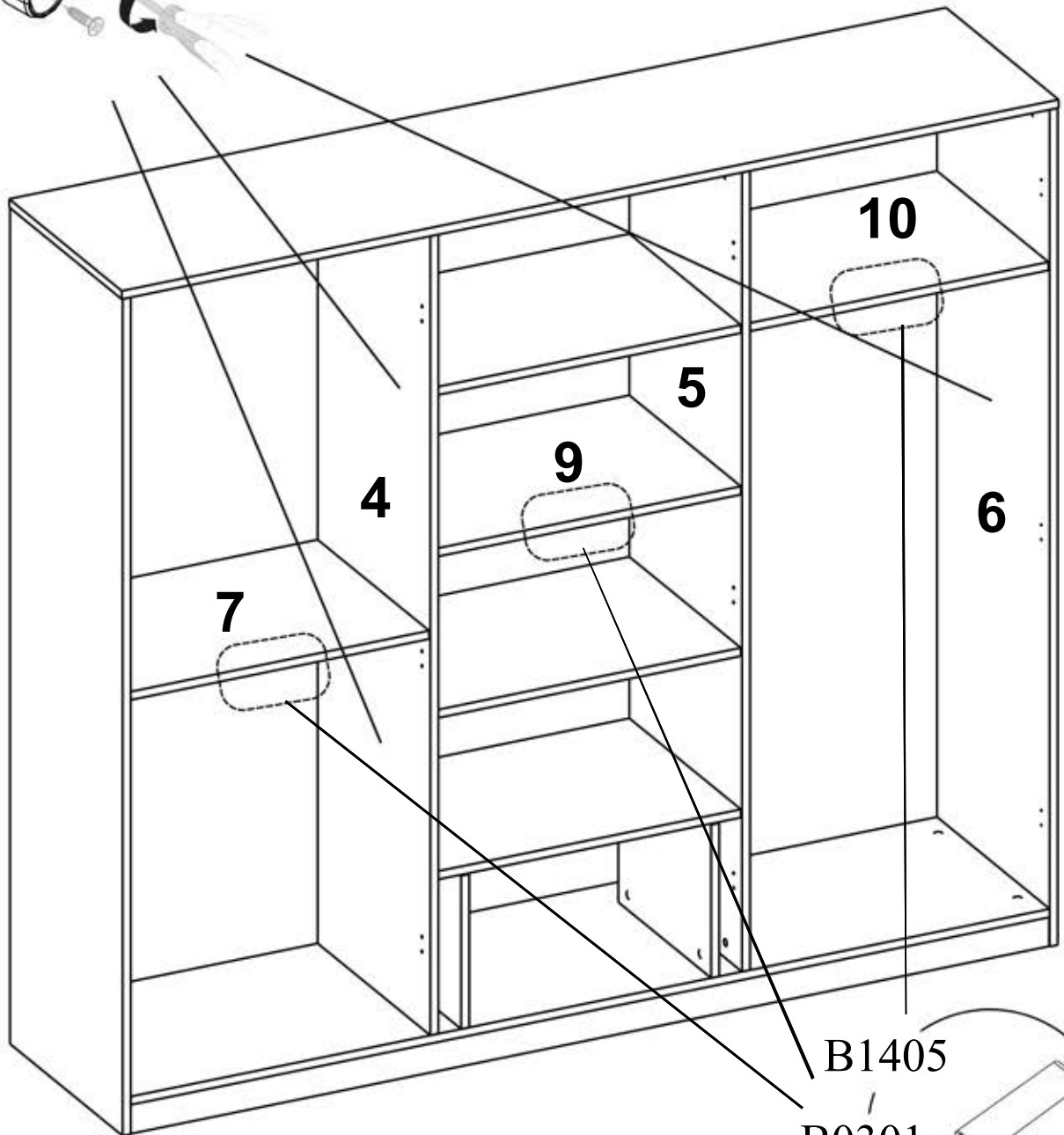
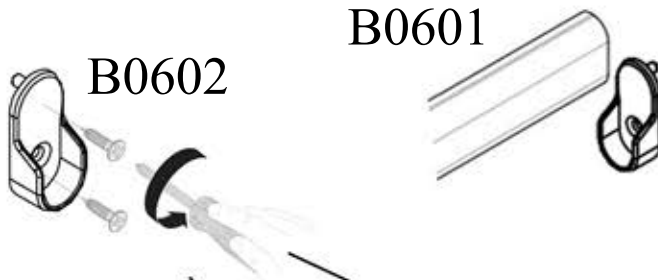






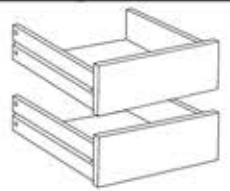


			
24x B0301	6x B1405	6x B0602	3x B0601



B1405
B0301

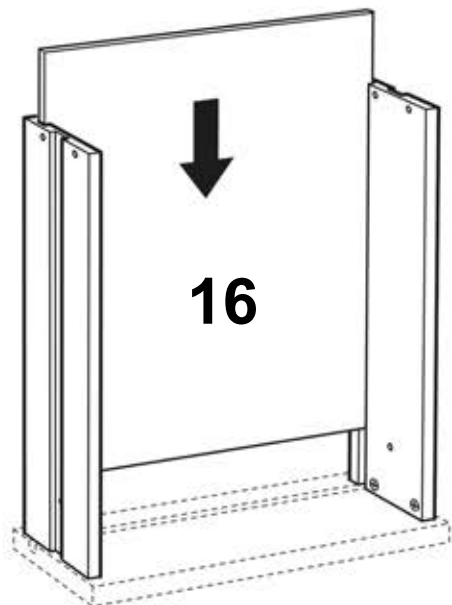
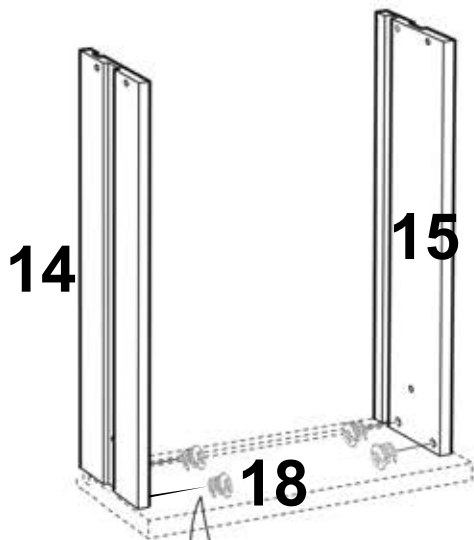
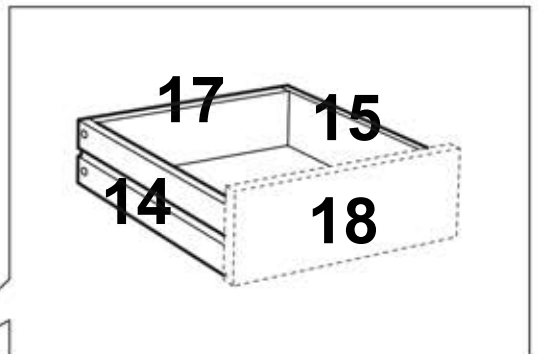
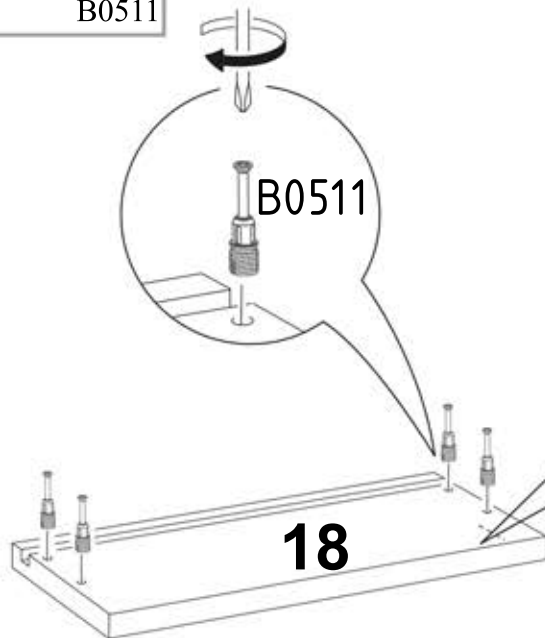




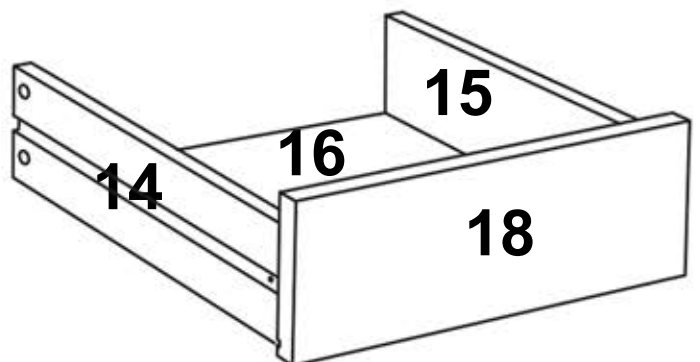
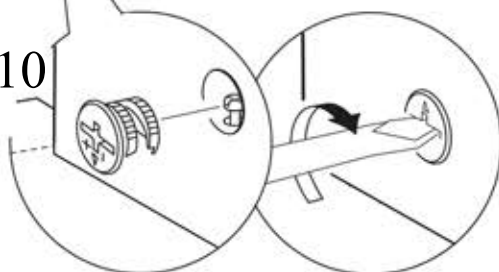
8x B0510

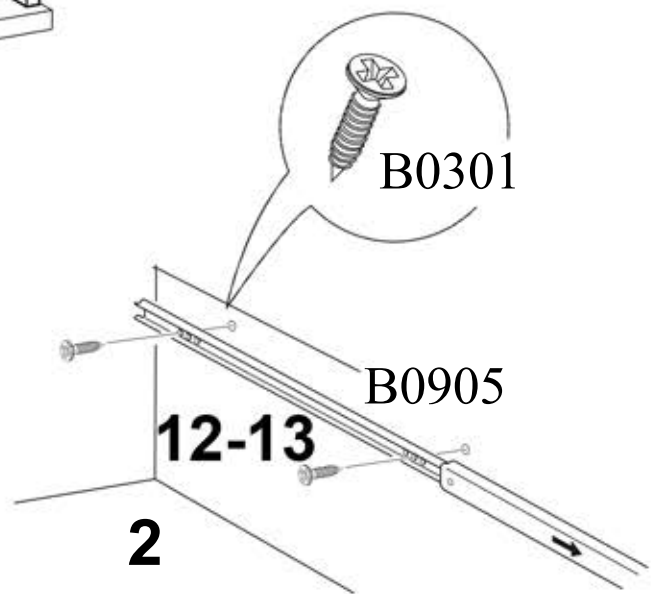
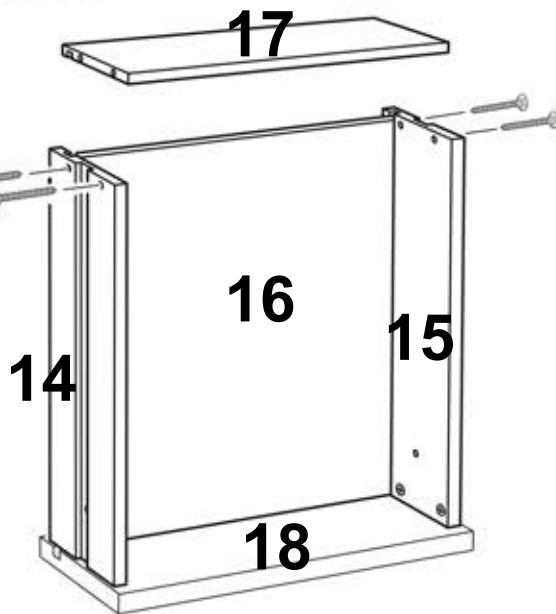
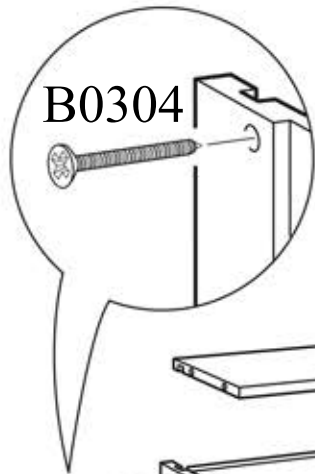
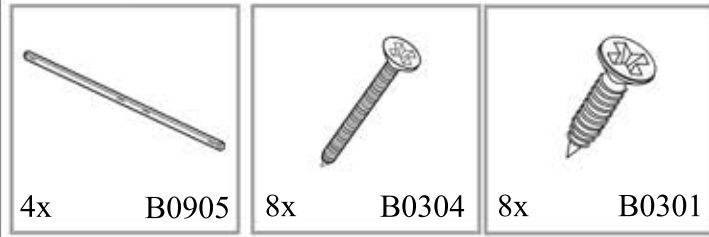


8x B0511



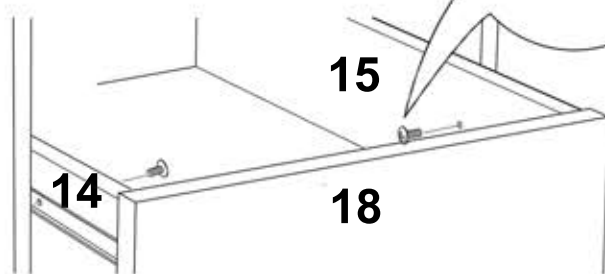
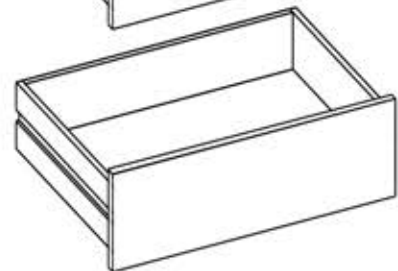
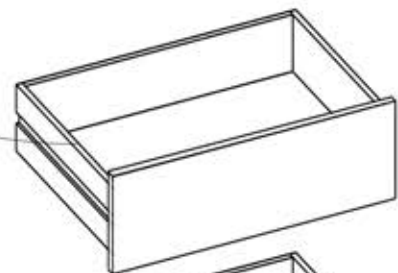
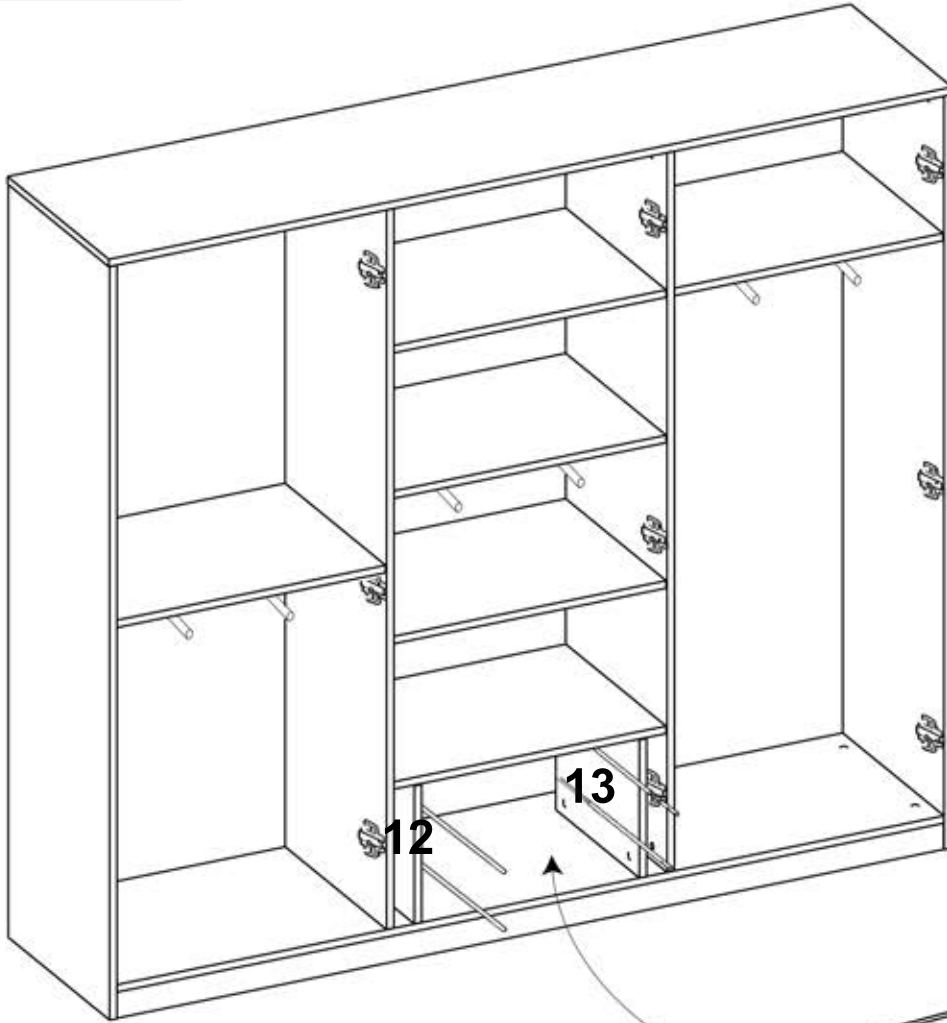
B0510

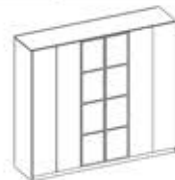








4x B0328





 105x B0318	(1,77m)  3x G0605
---	--

