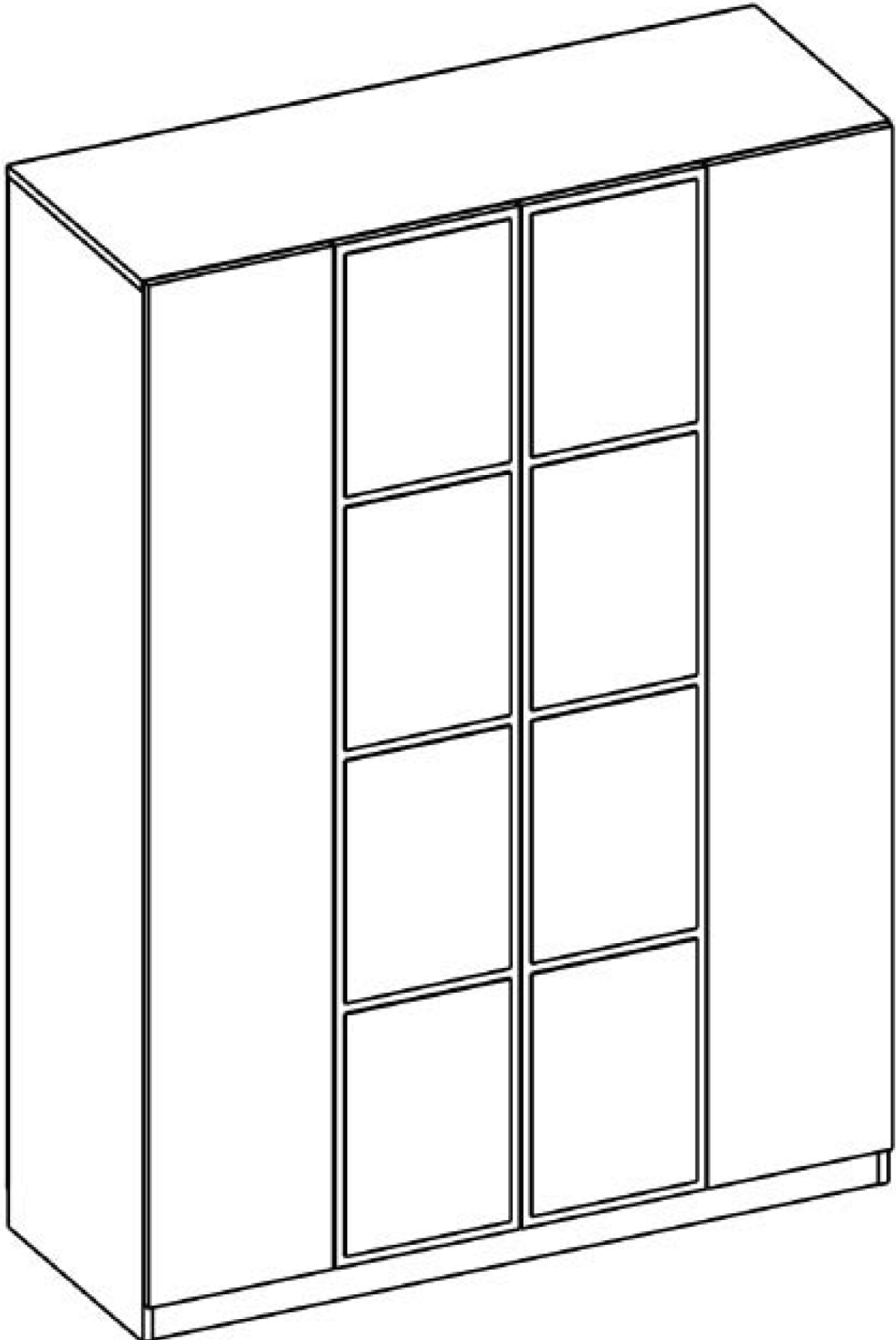
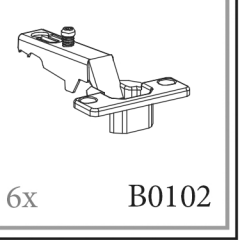
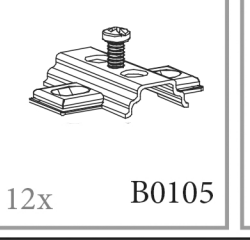
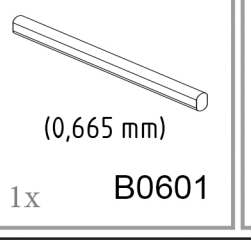
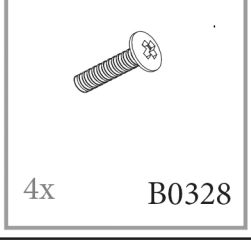
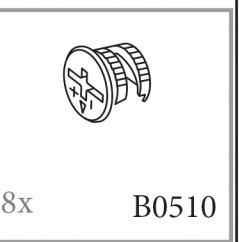
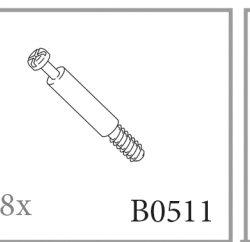
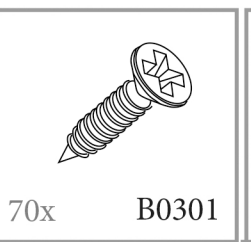
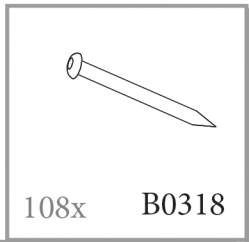
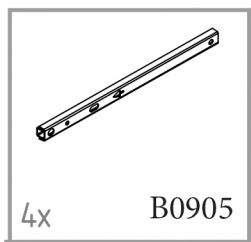
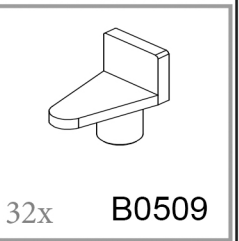
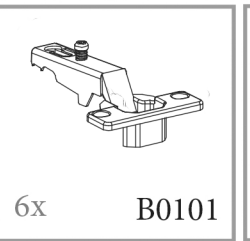
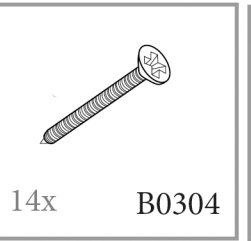
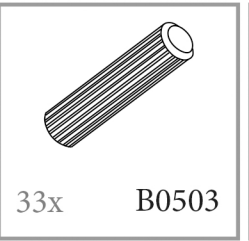
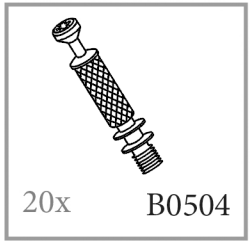
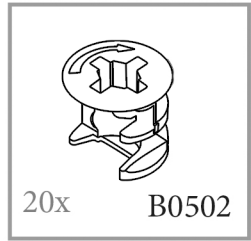
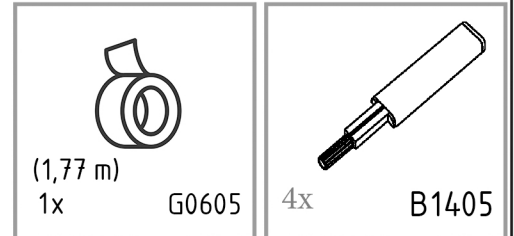
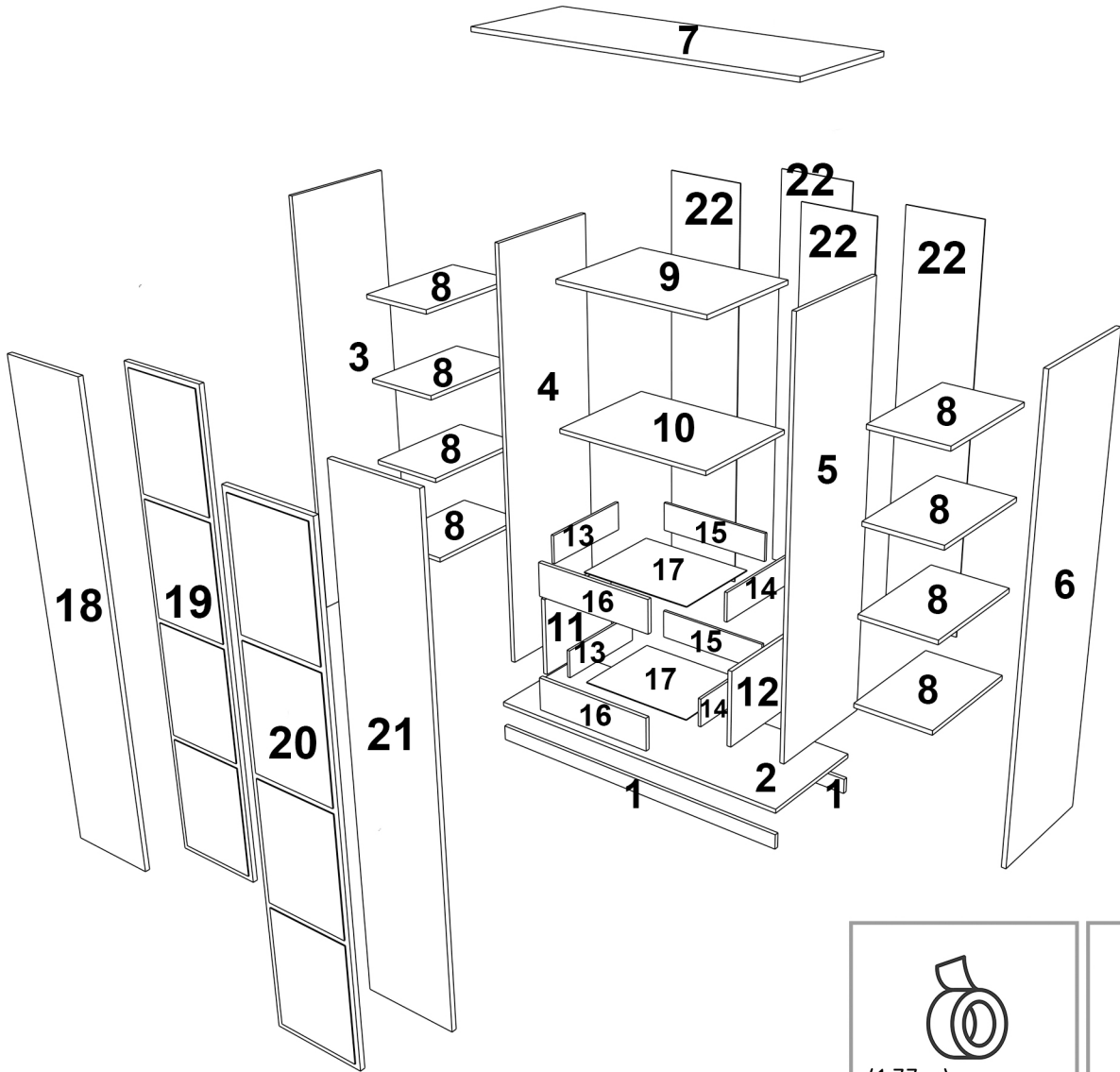
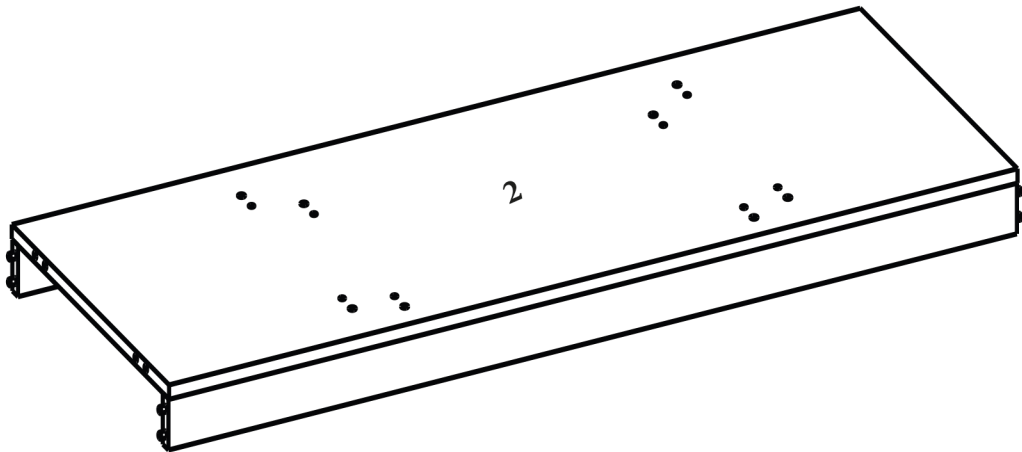
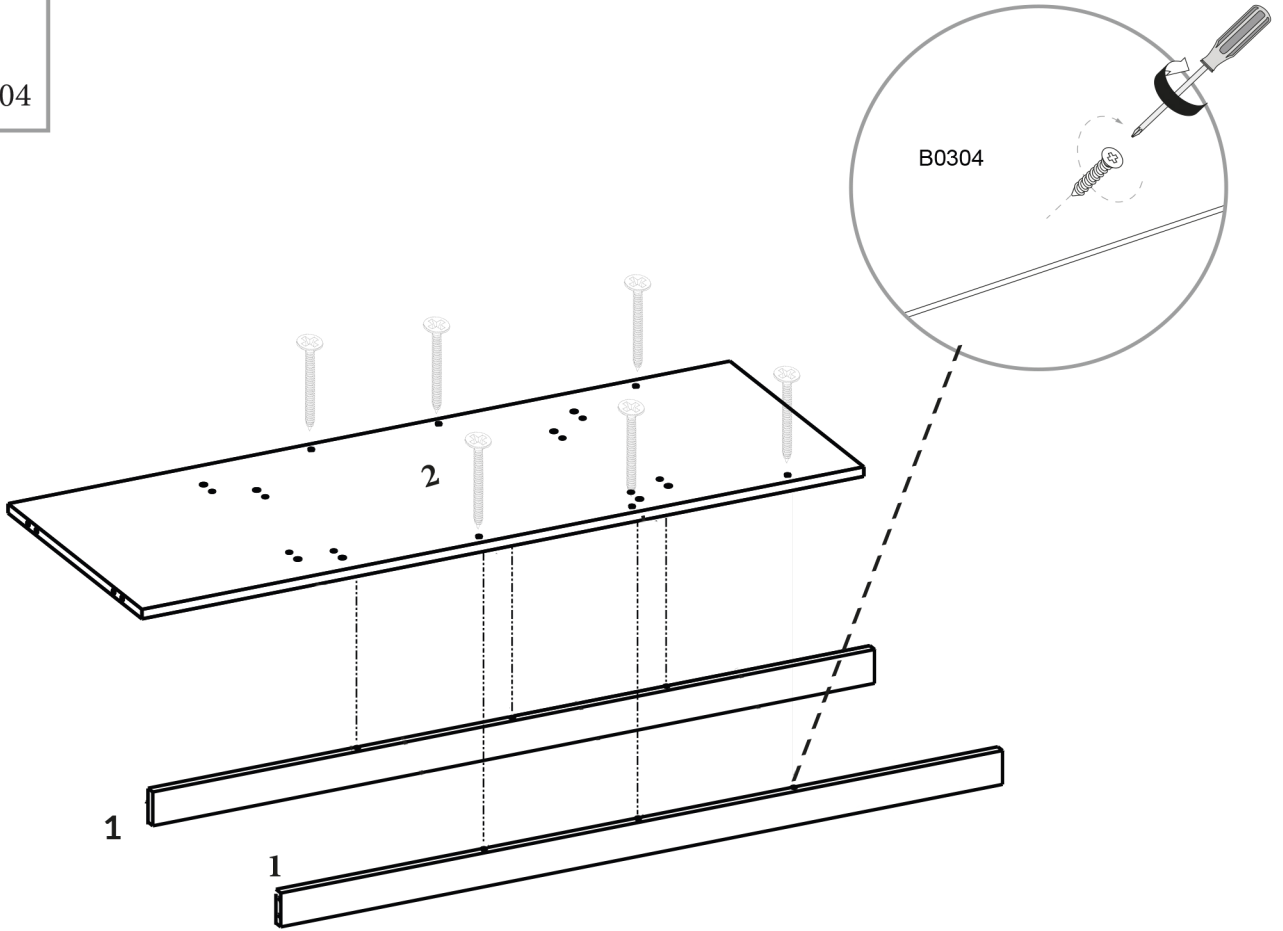
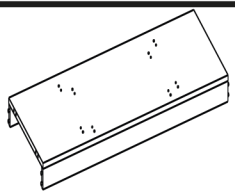
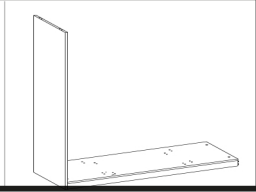


HM2

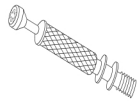




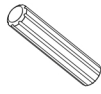




2x B0502



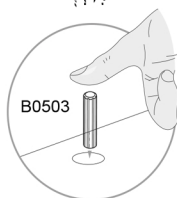
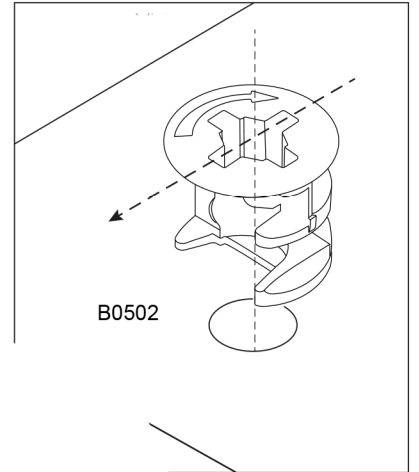
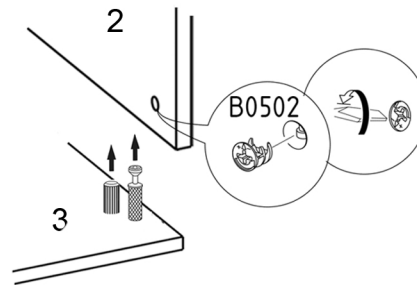
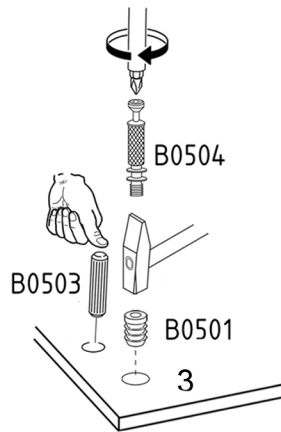
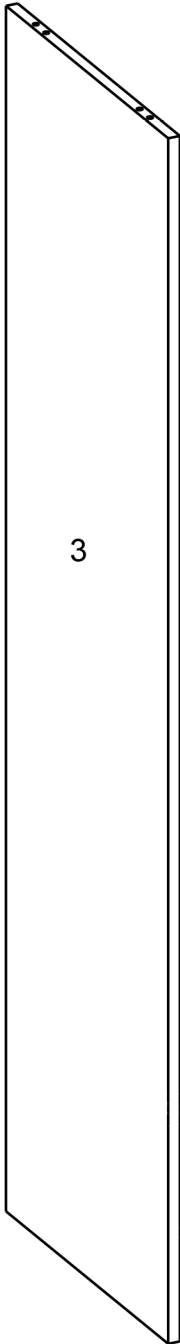
2x B0504



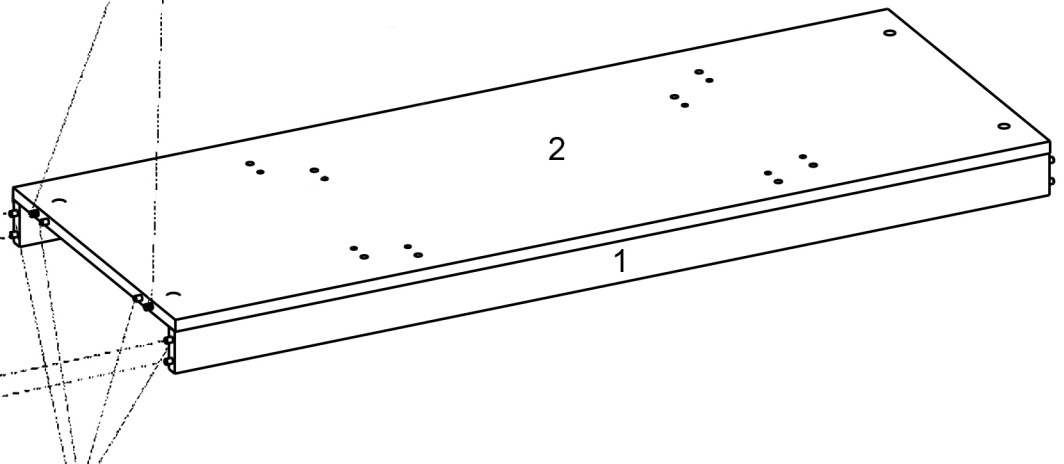
6x B0503

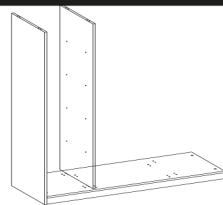



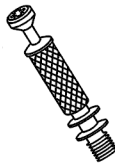
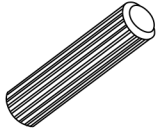

2x B0501

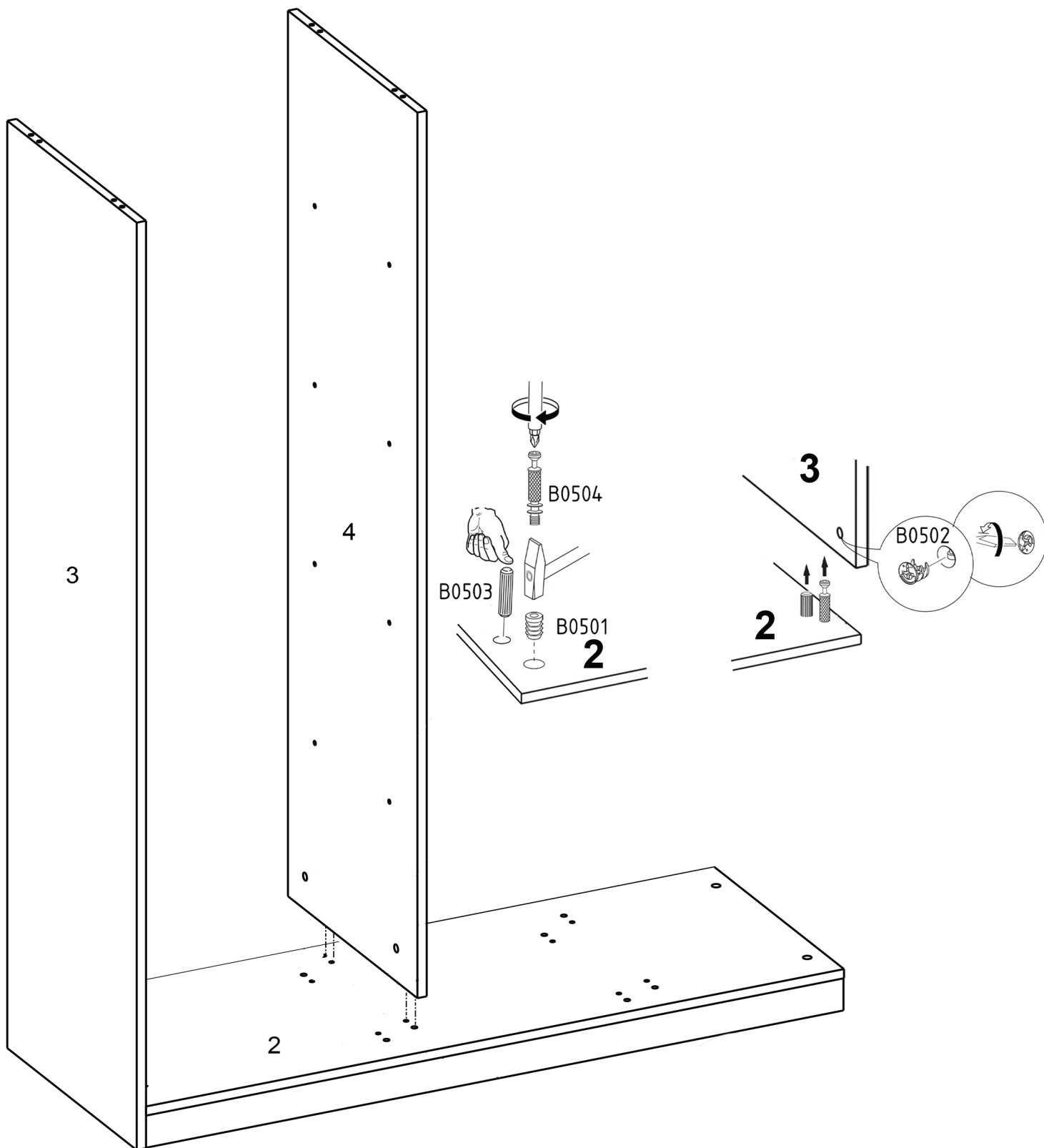


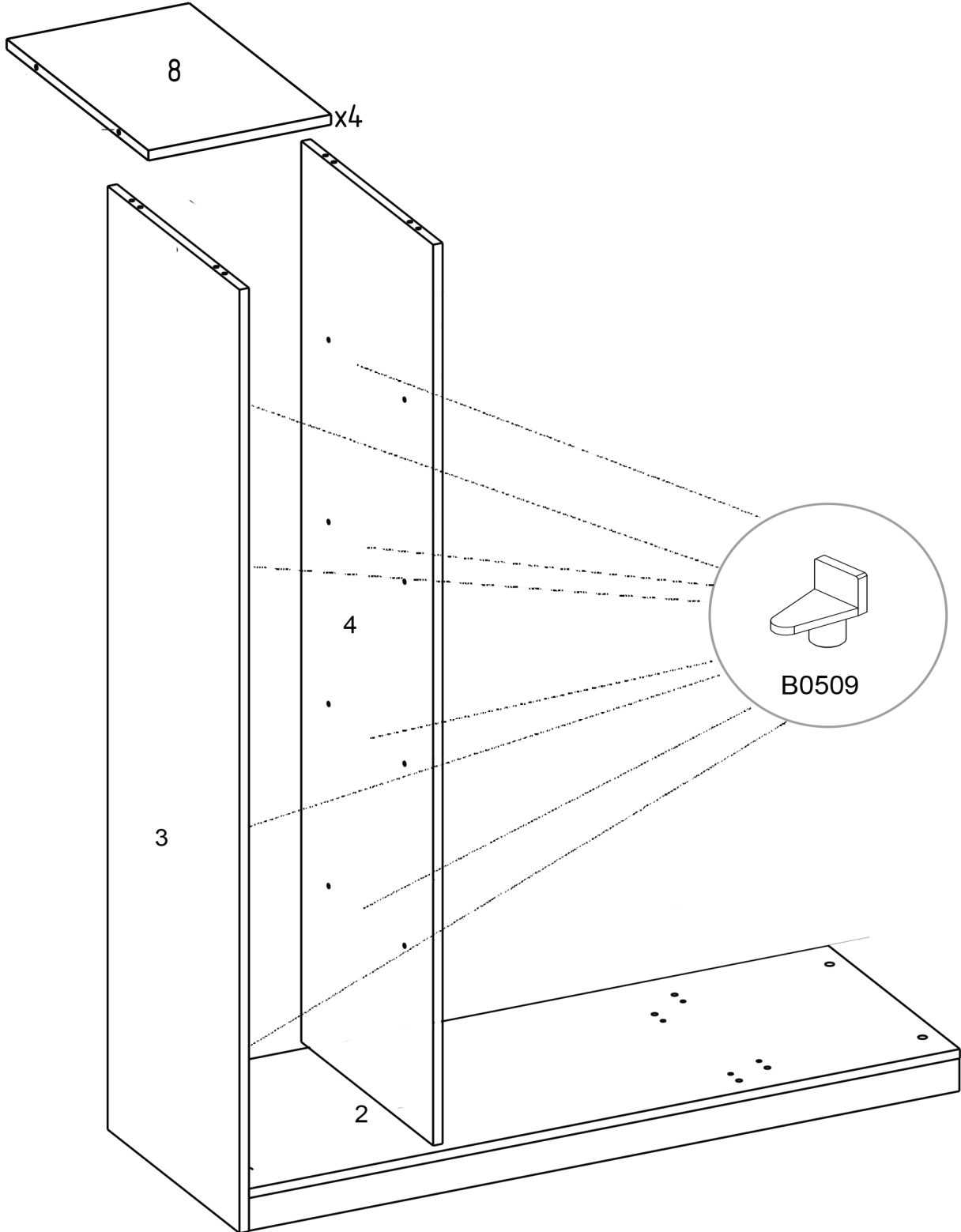
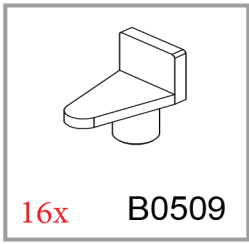
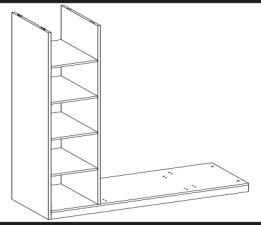
B0503

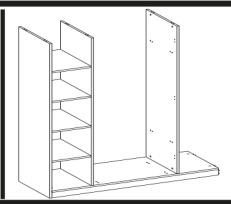




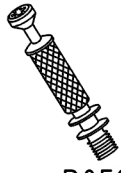
 2x B0502	 2x B0504	 2x B0503	 2x B0501
---	---	---	---



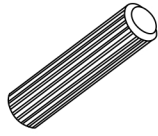




x2 B0502



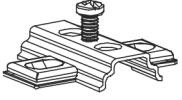
x2 B0504



x2 B0503



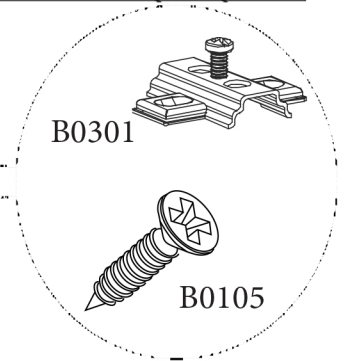
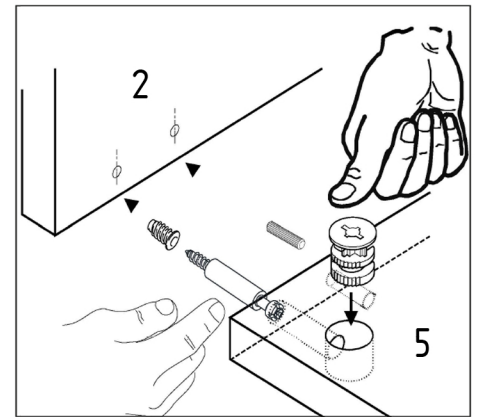
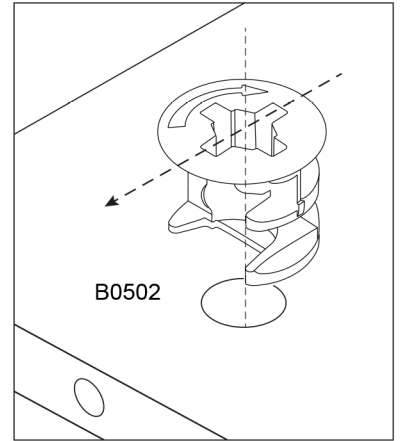
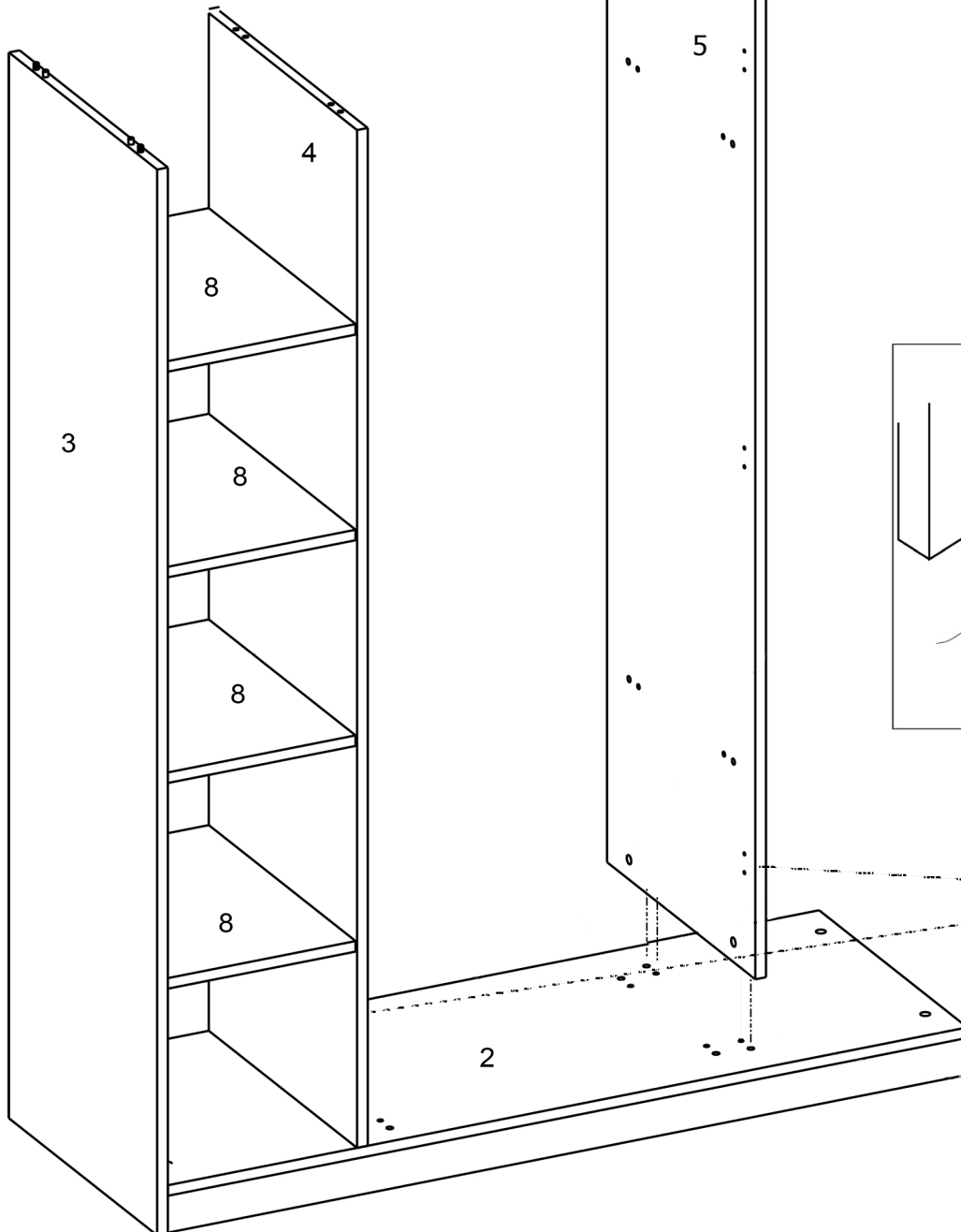
x2 B0501

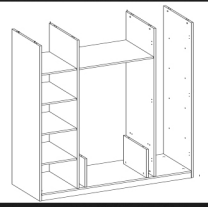


x2 B0105



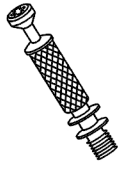
x4 B0301





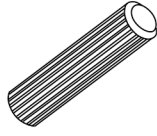
2x

B0502



2x

B0504



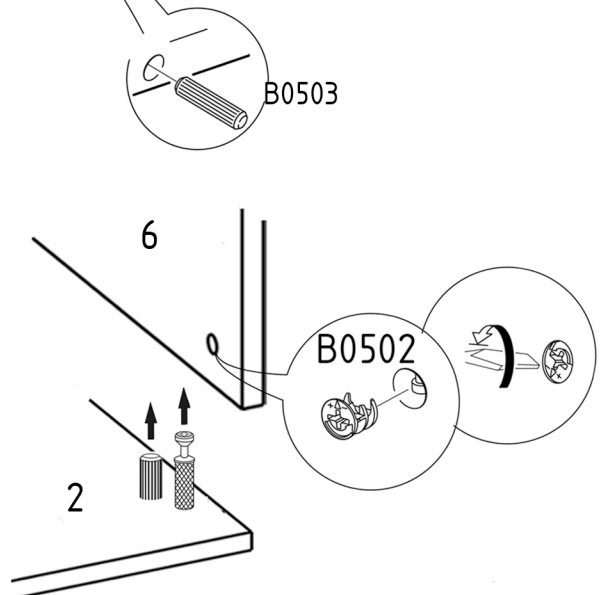
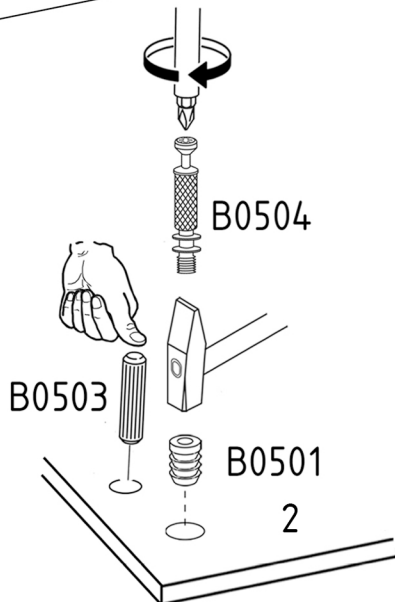
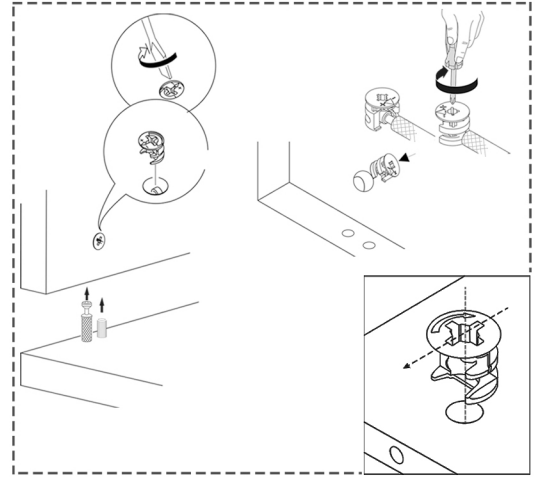
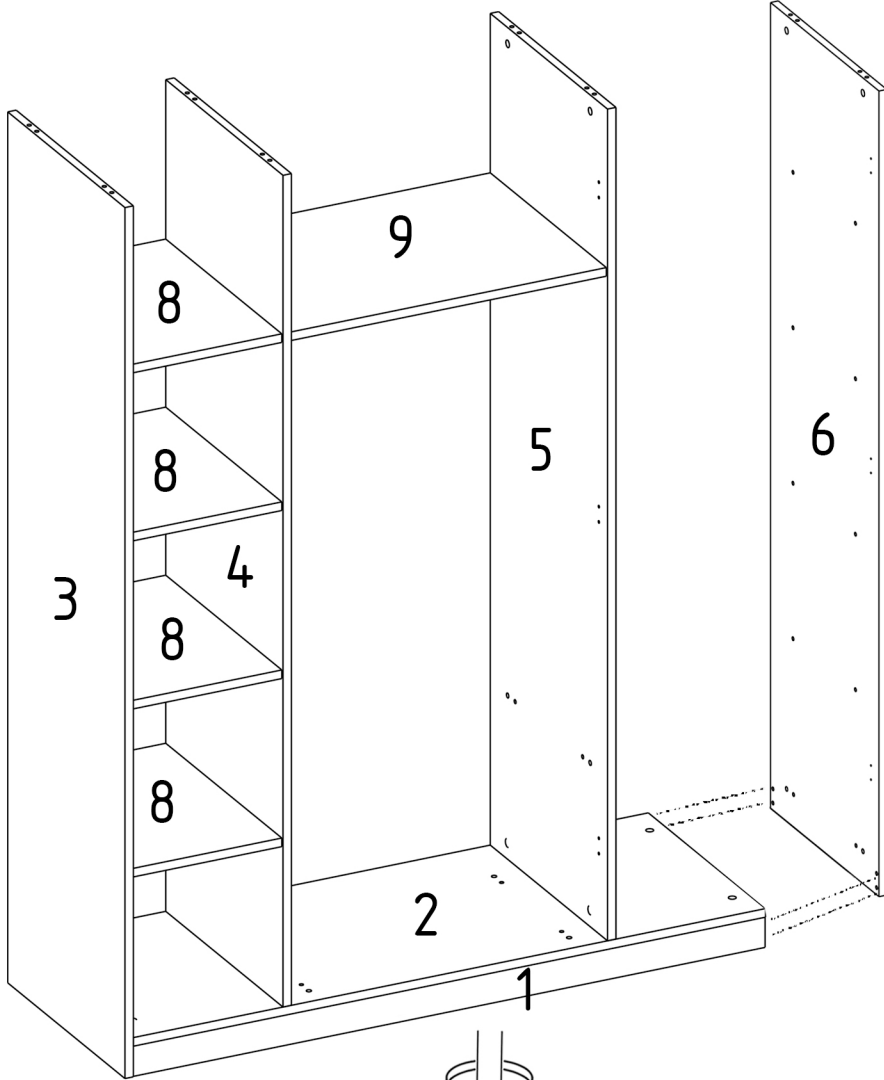
6x

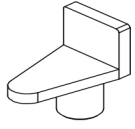
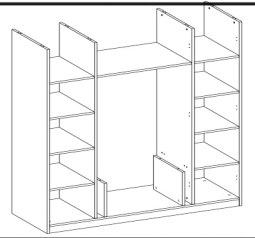
B0503



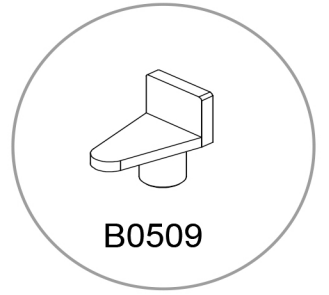
2x

B0501

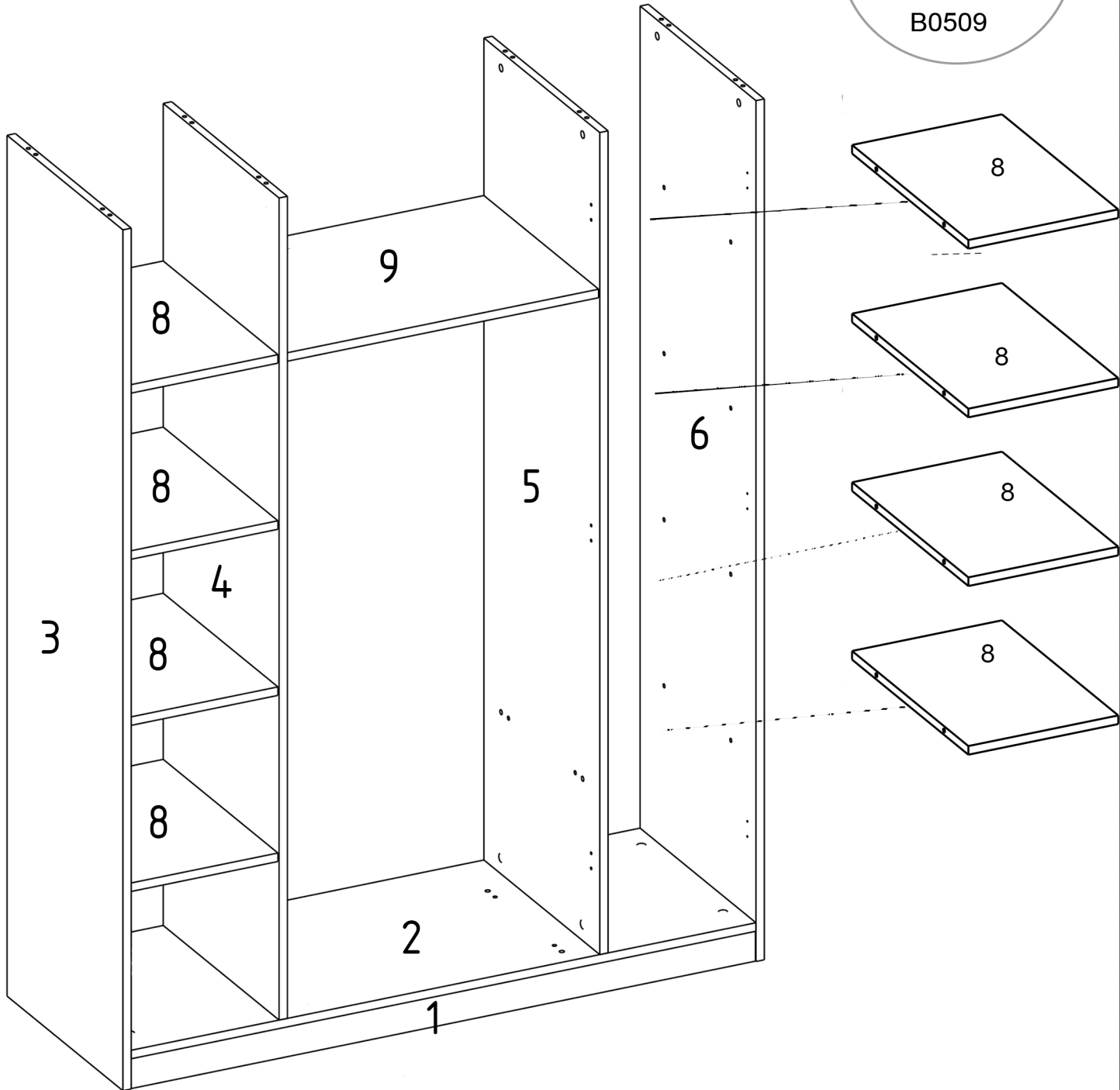




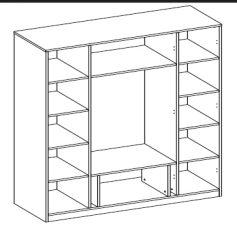
16x B0509



B0509

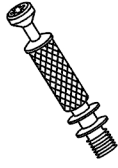


HM2



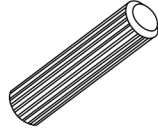
8x

B0502



8x

B0504



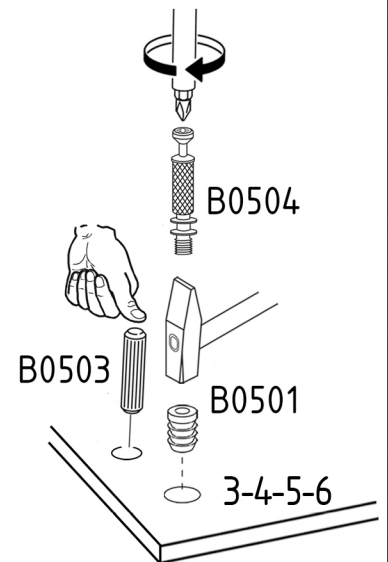
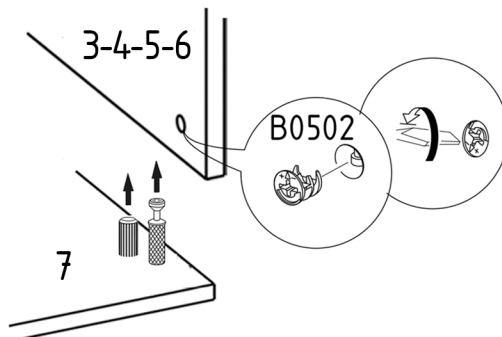
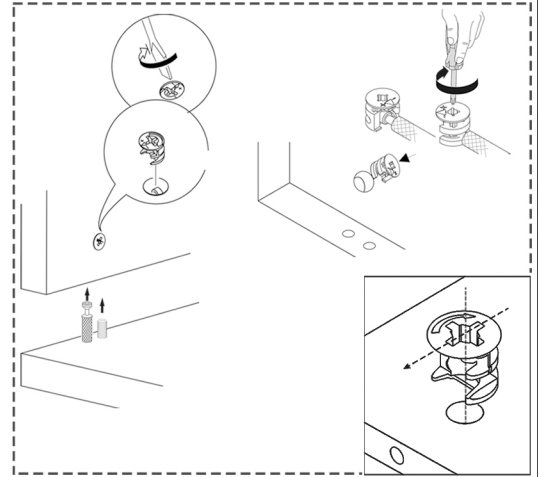
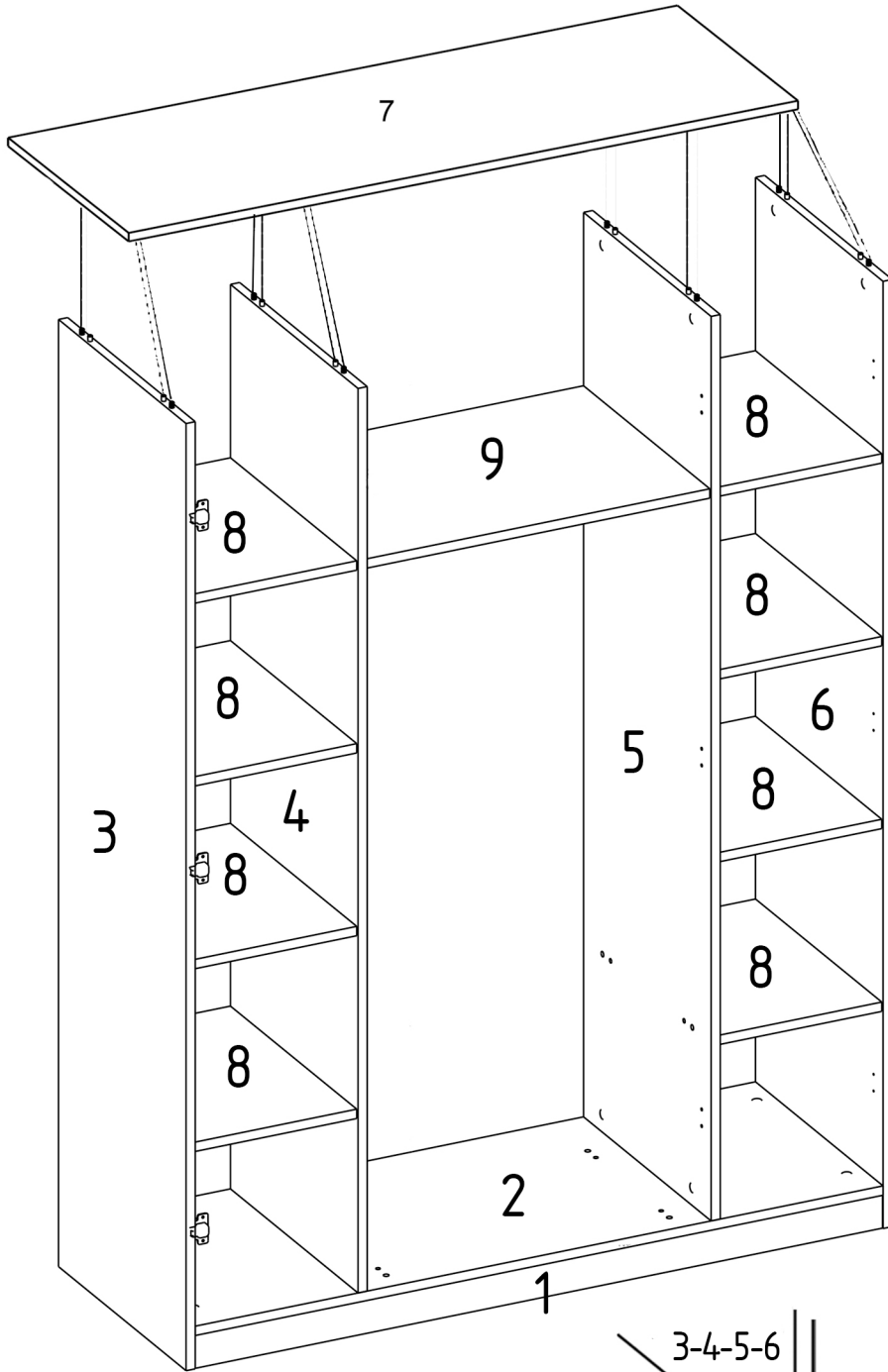
8x

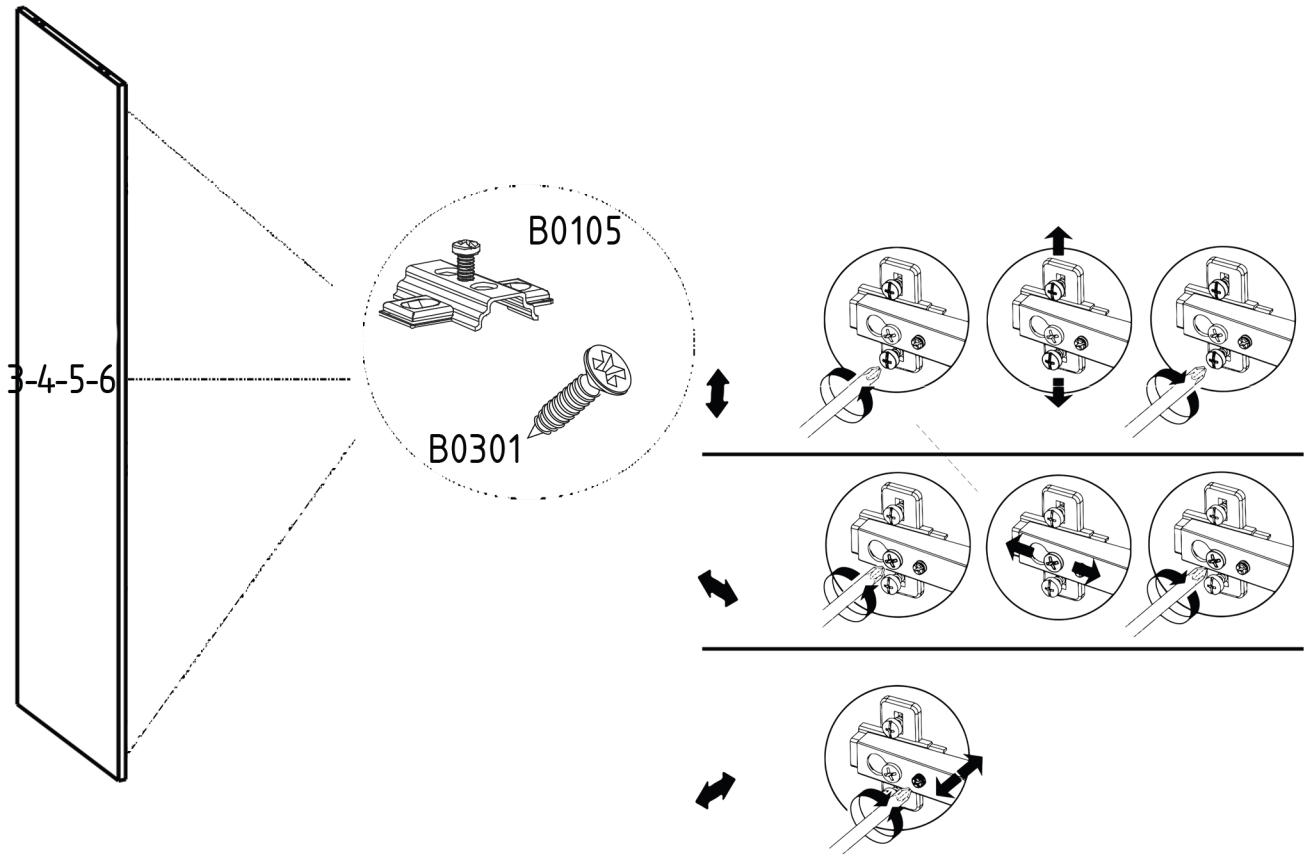
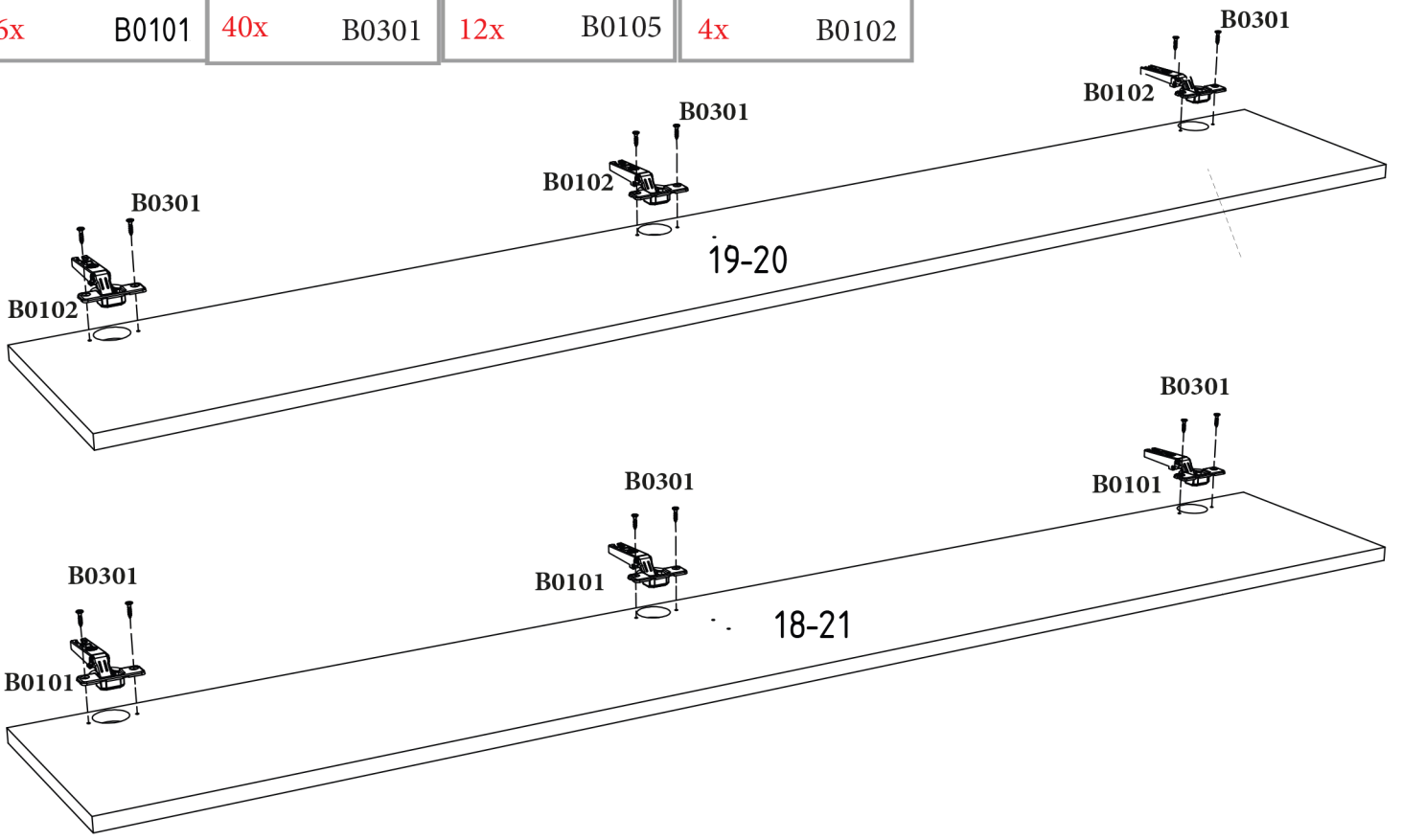
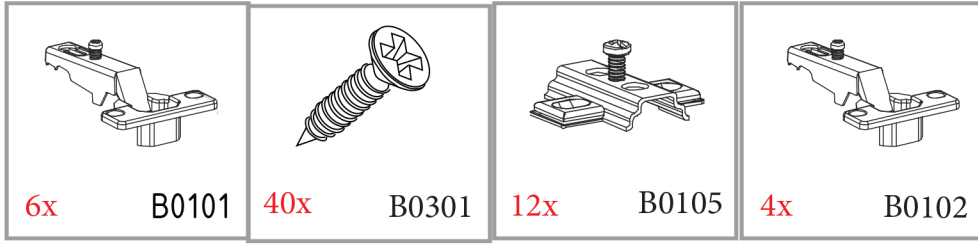
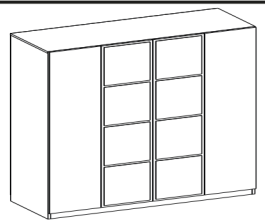
B0503

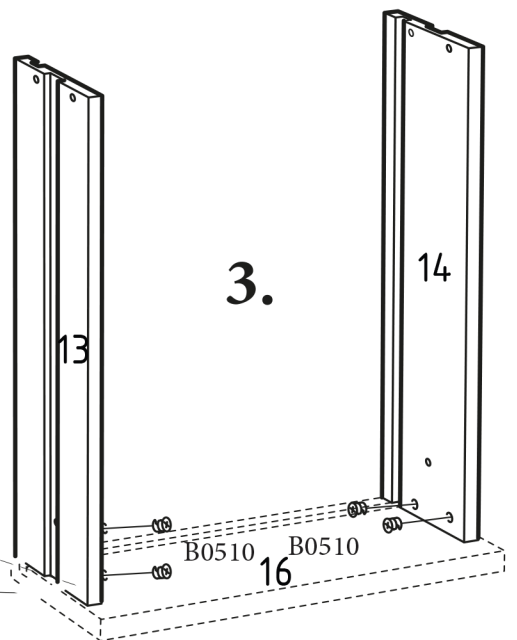
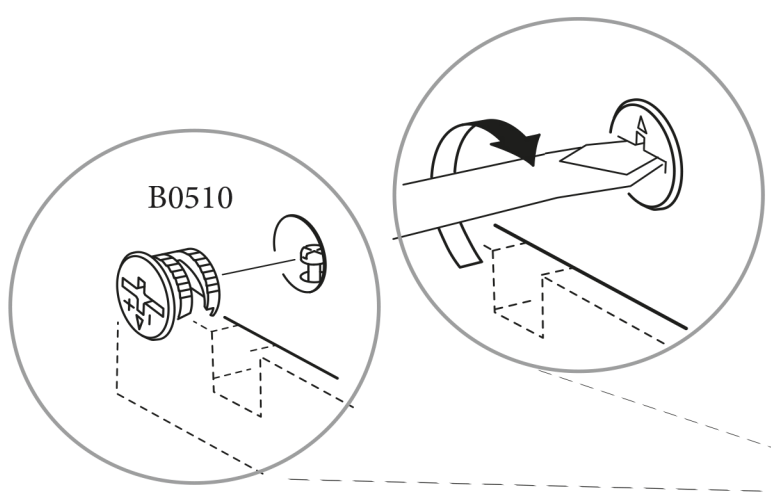
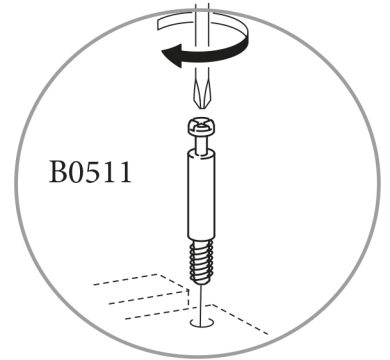
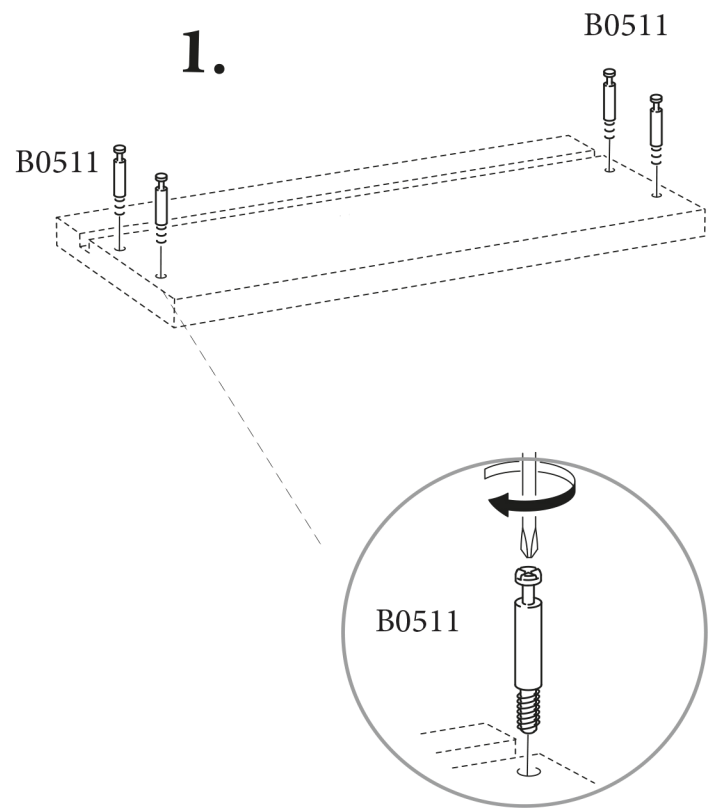
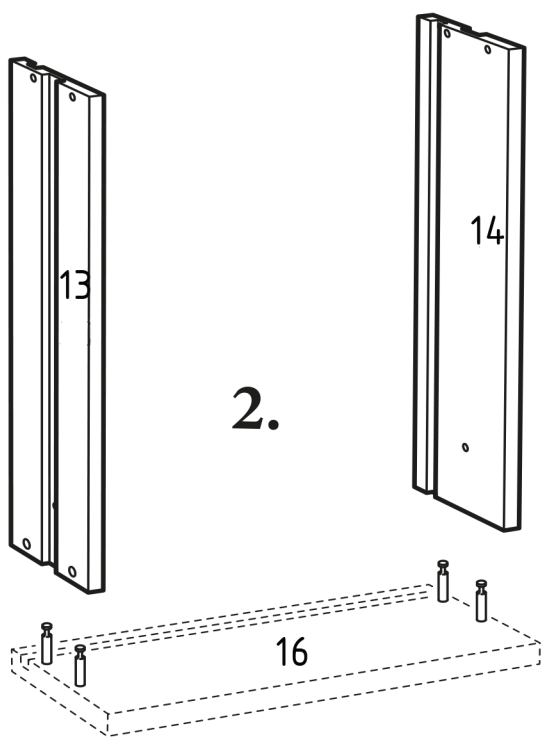
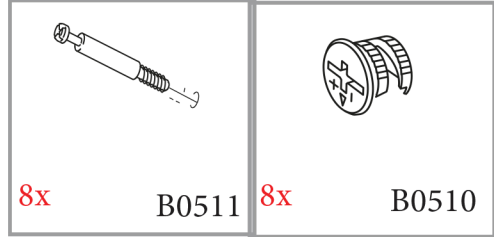
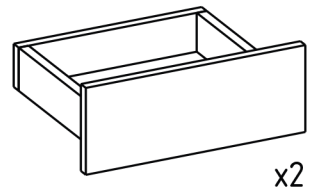


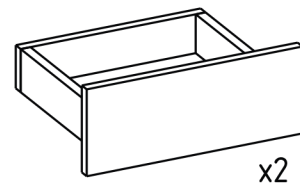
8x

B0501

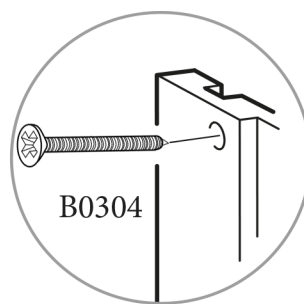
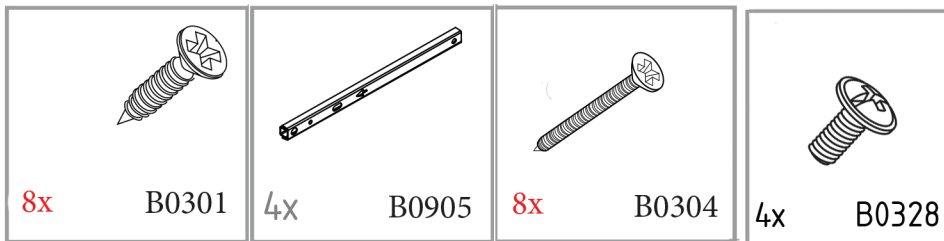
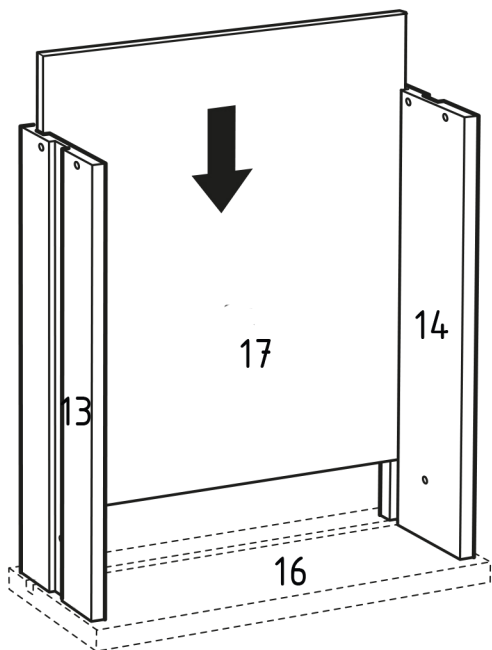




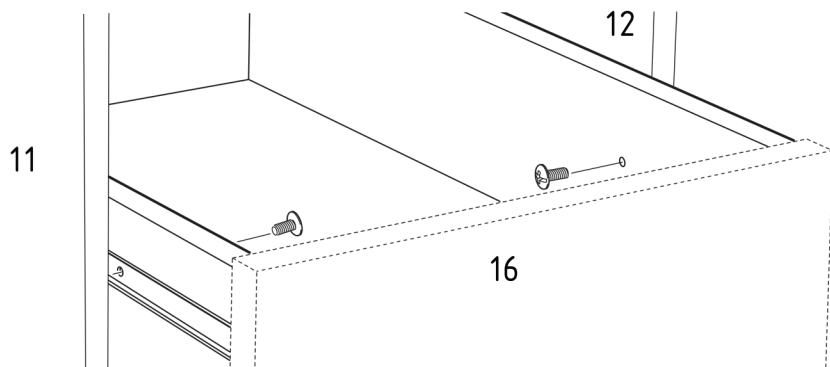
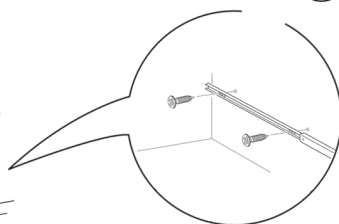
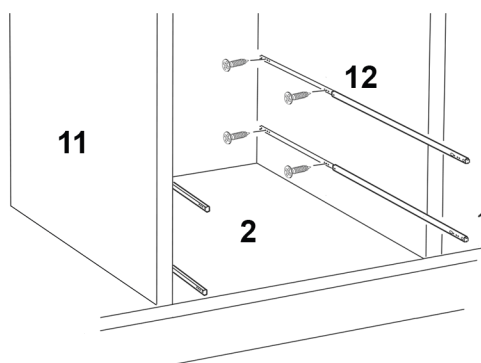
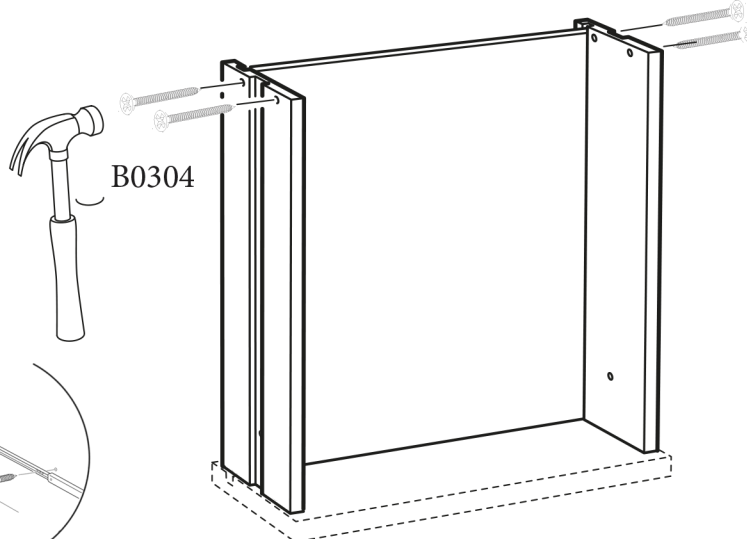


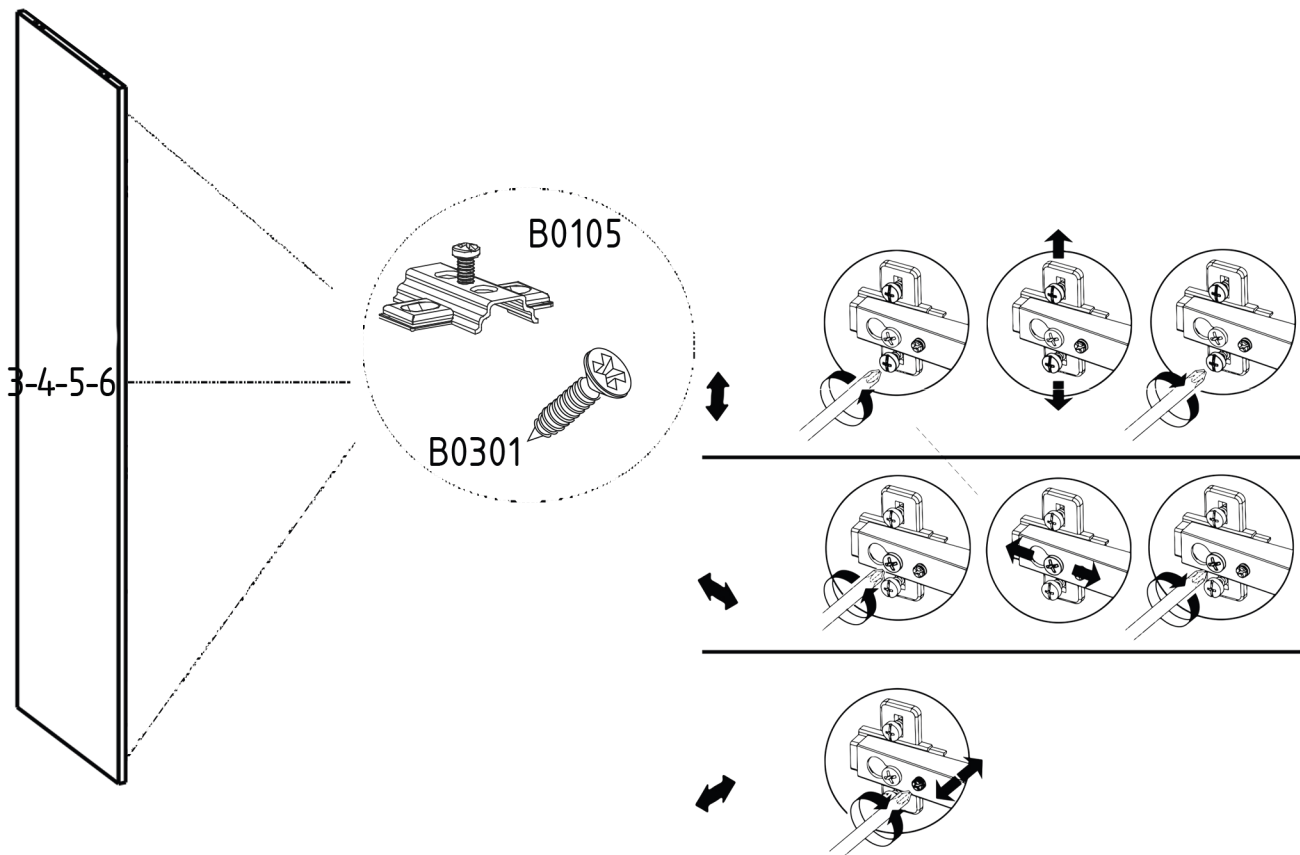
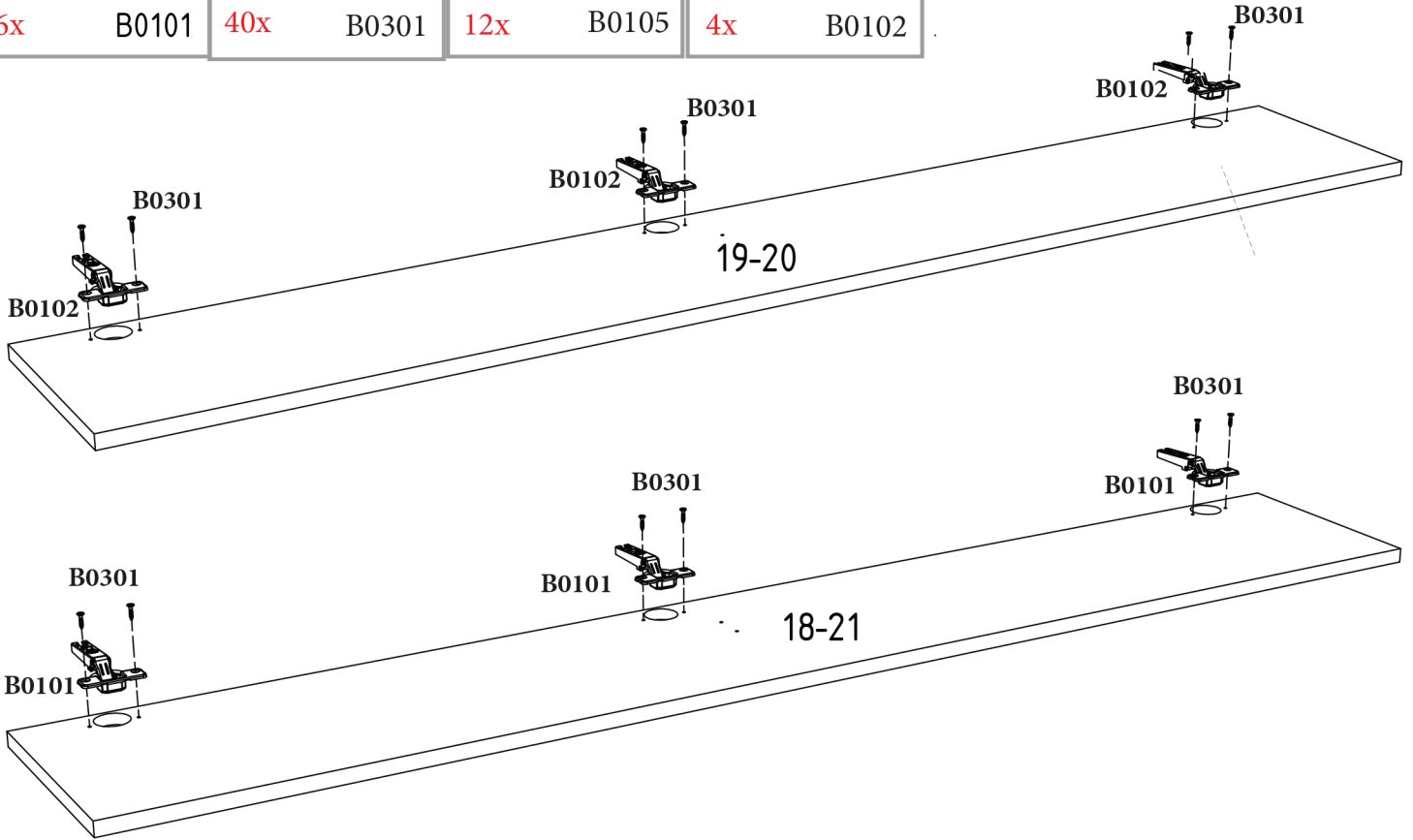
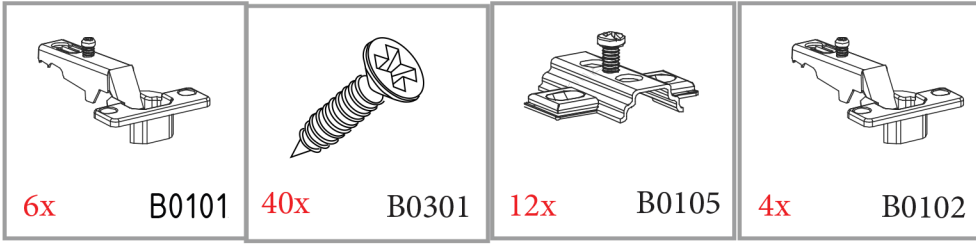
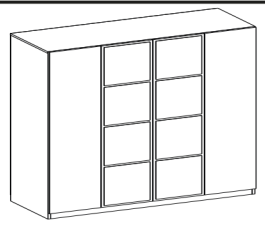


4.

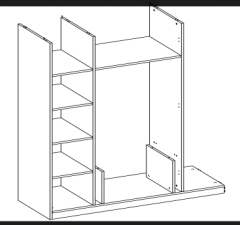



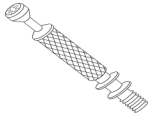
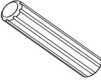

5.

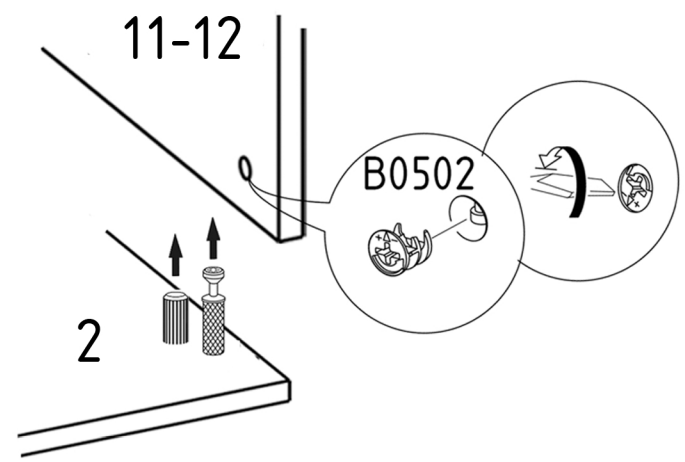
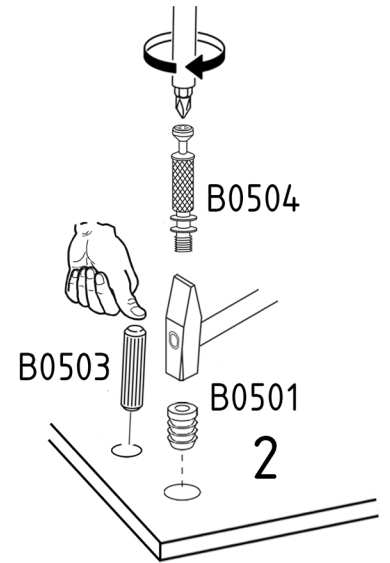
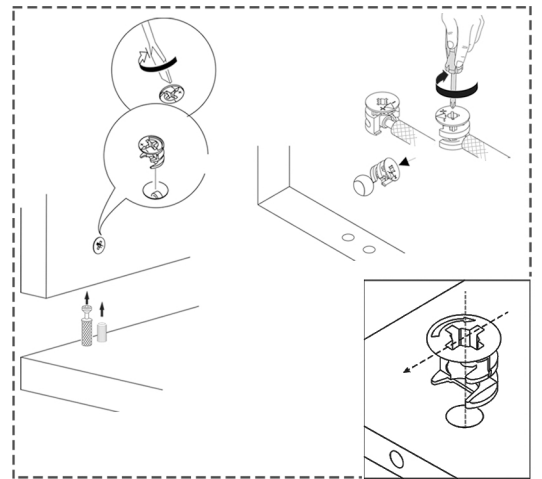
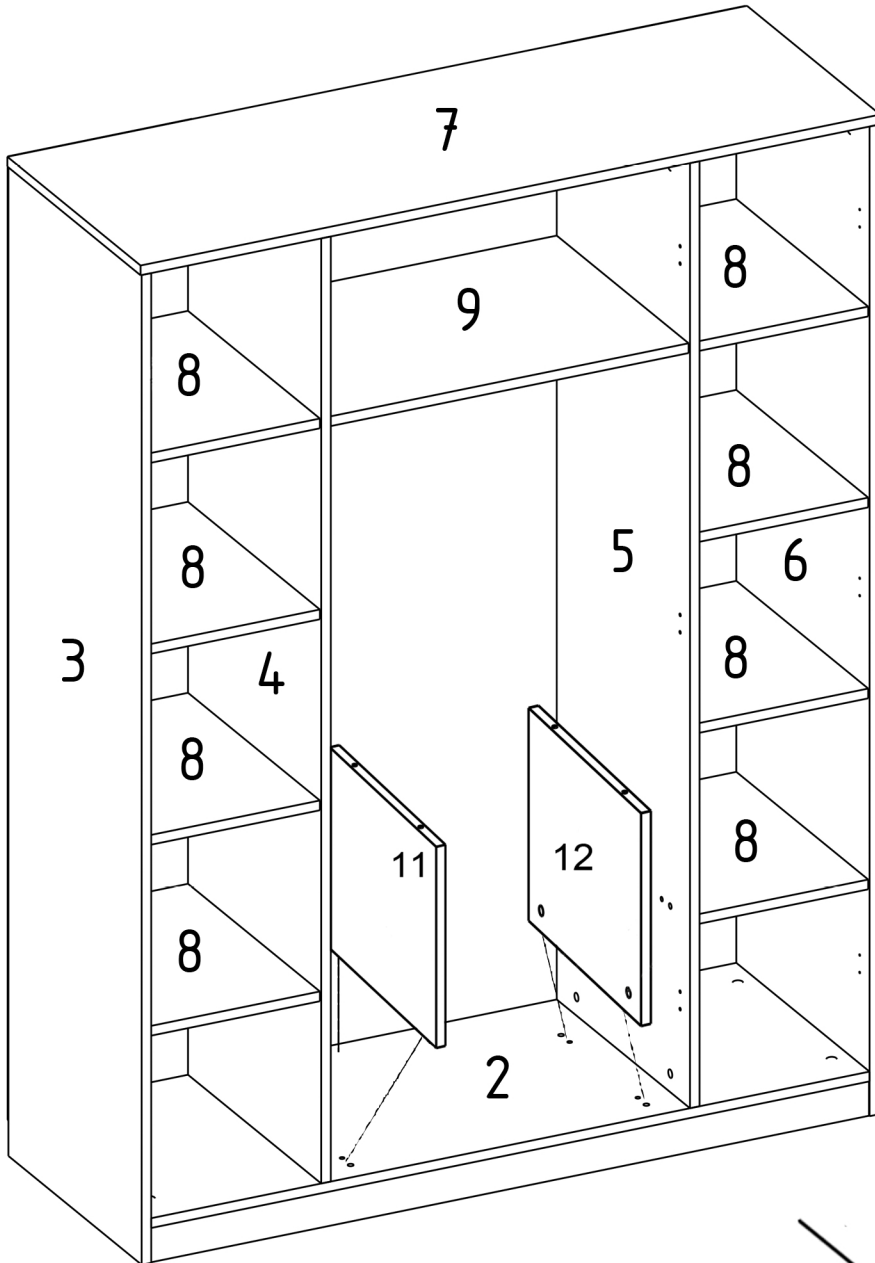


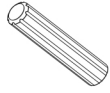
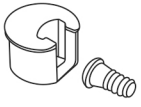
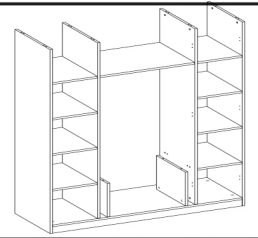


HM2



 4x B0502	 4x B0504	 4x B0503	 4x B0501
---	---	---	---



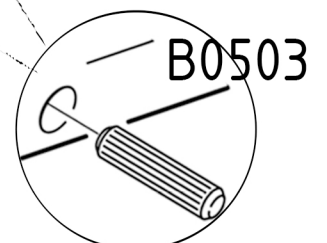
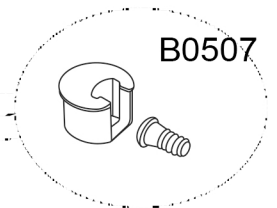
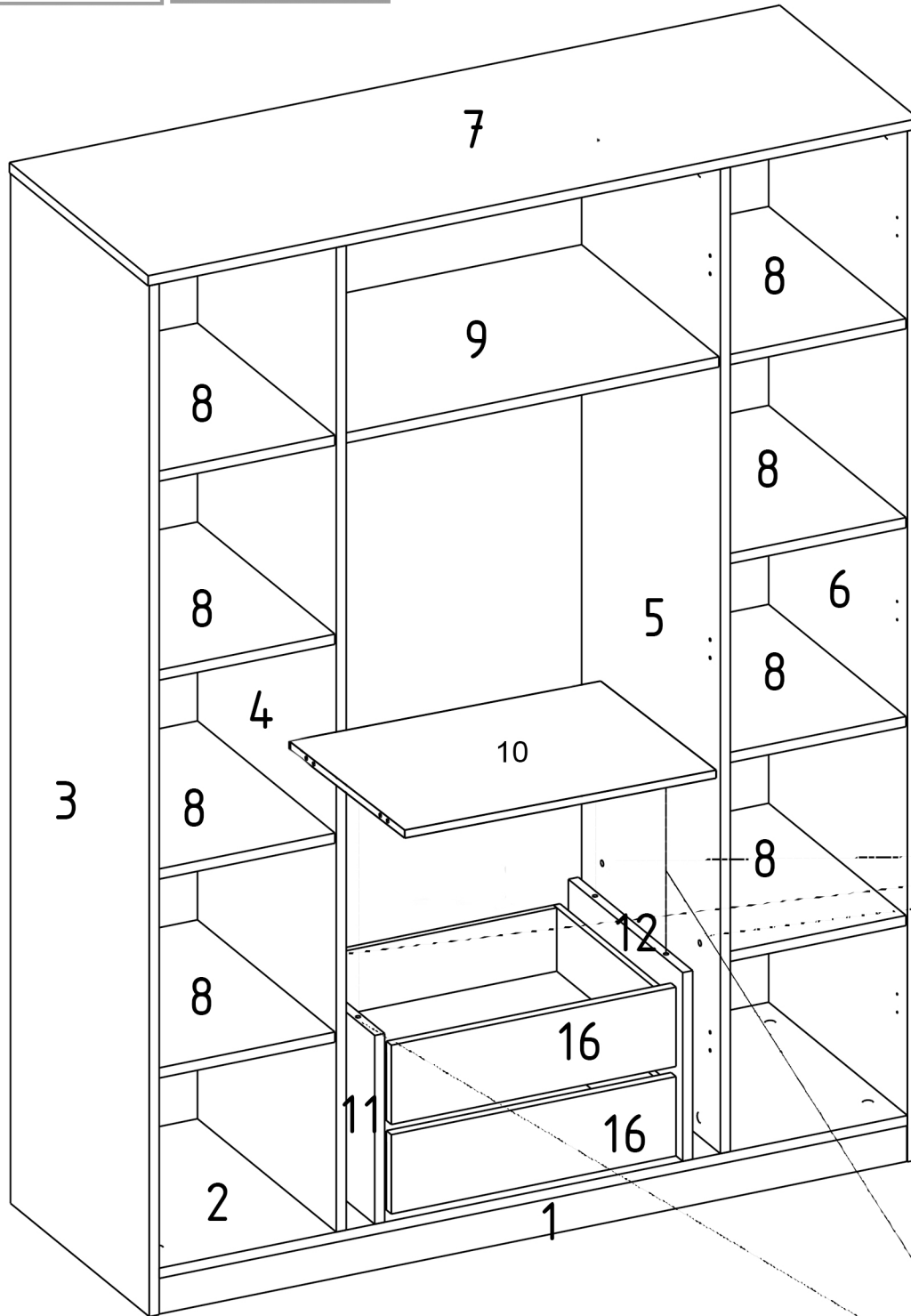


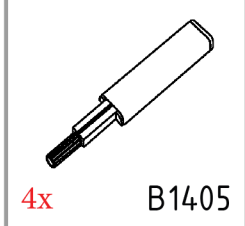
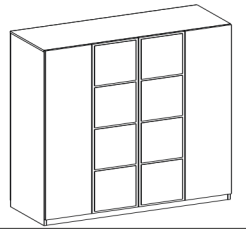
4x

B0507

4x

B0503





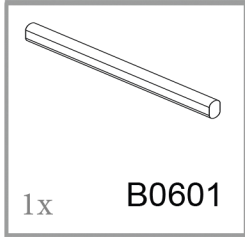
4x B1405



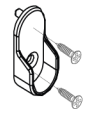
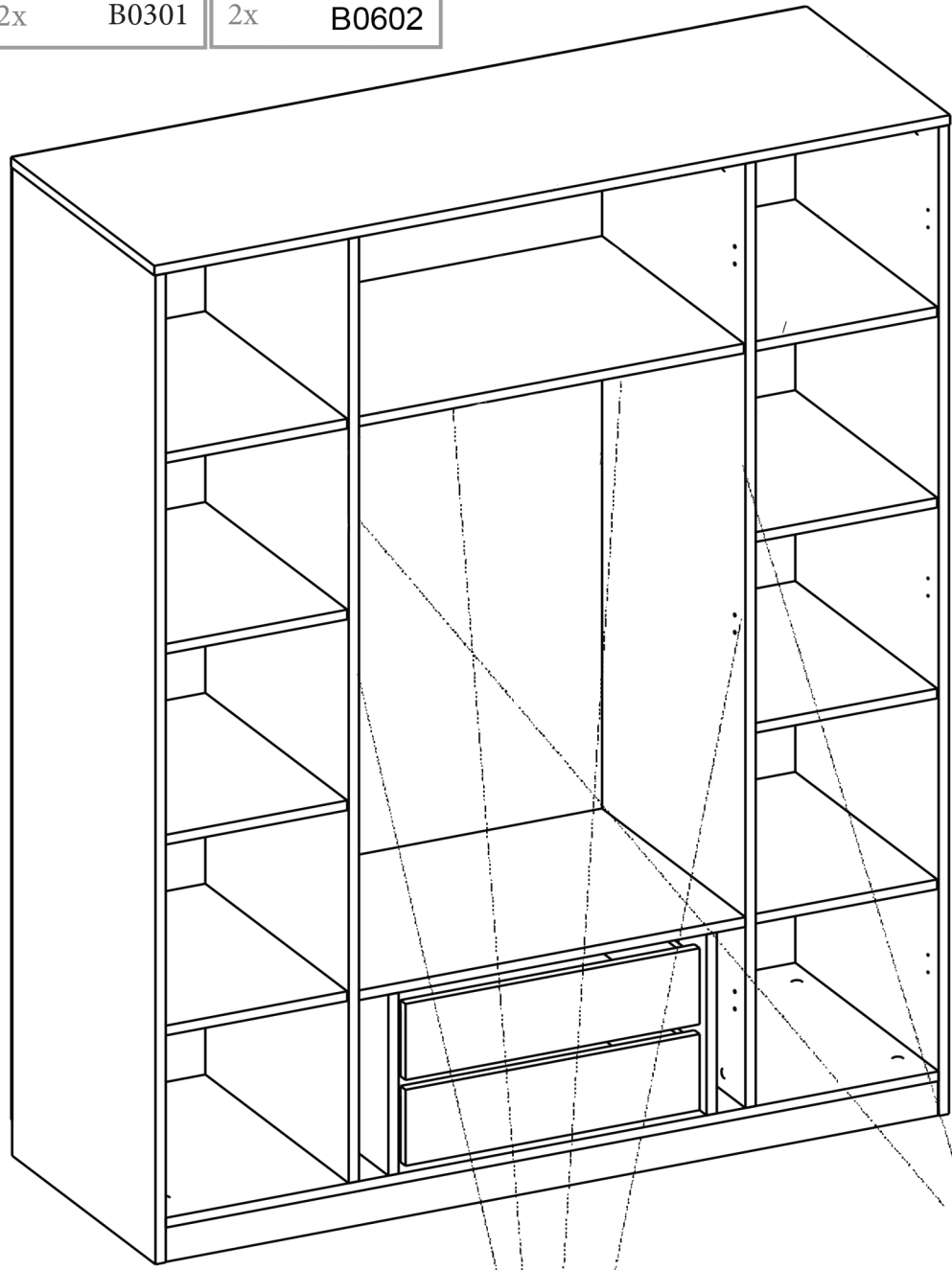
12x B0301



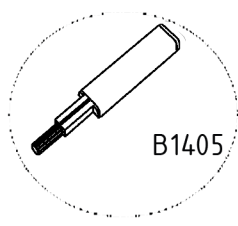
2x B0602



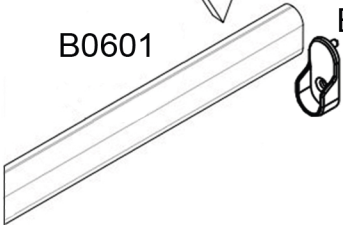
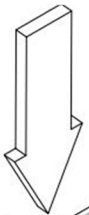
1x B0601



B0602


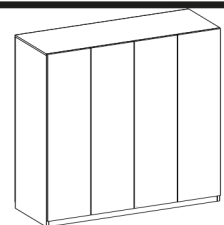


B1405




B0601

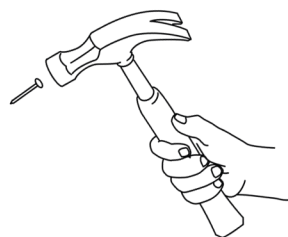
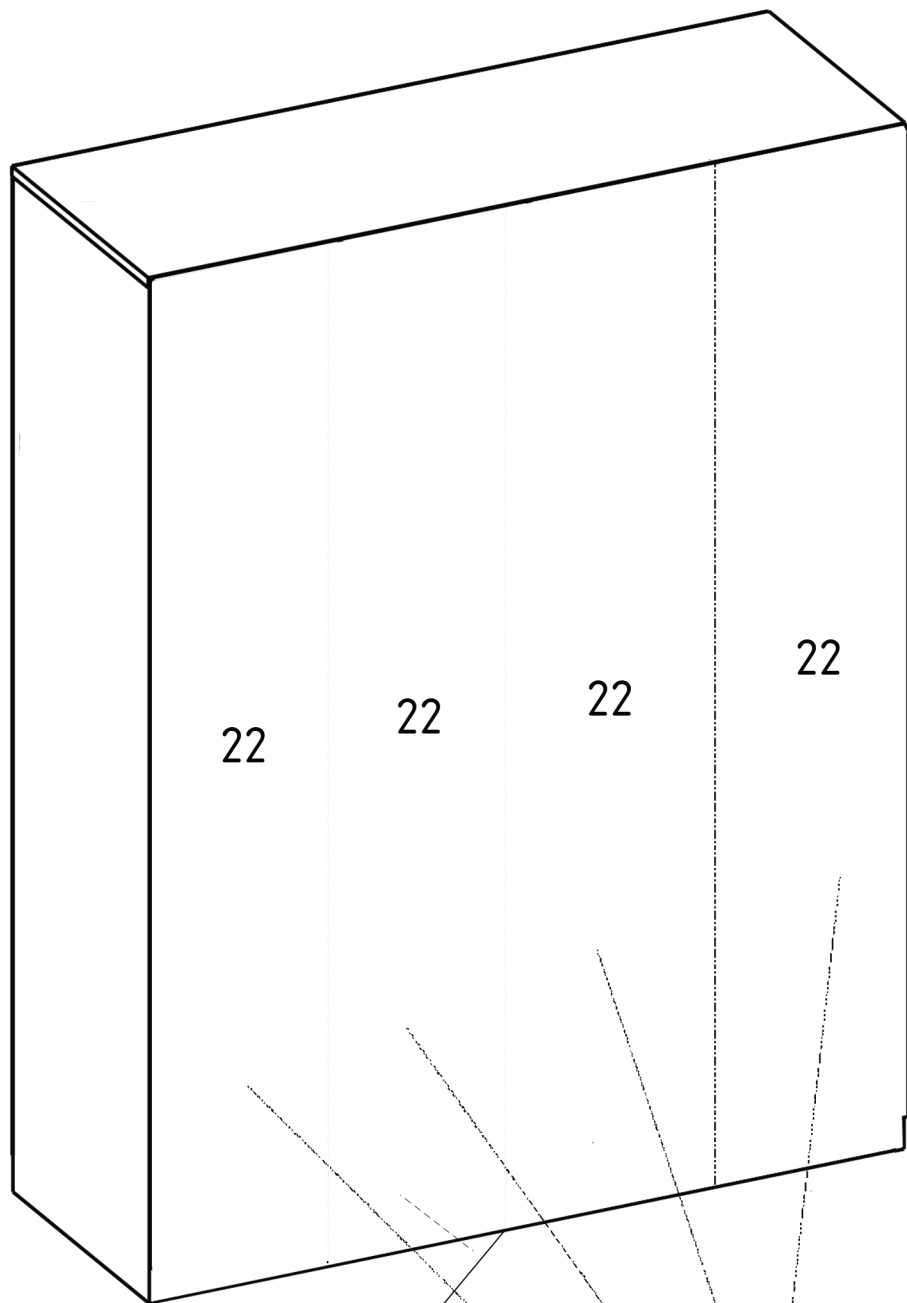
B0602



108x B0318



1x (1,77 m)
G0604



G0604



B0318

