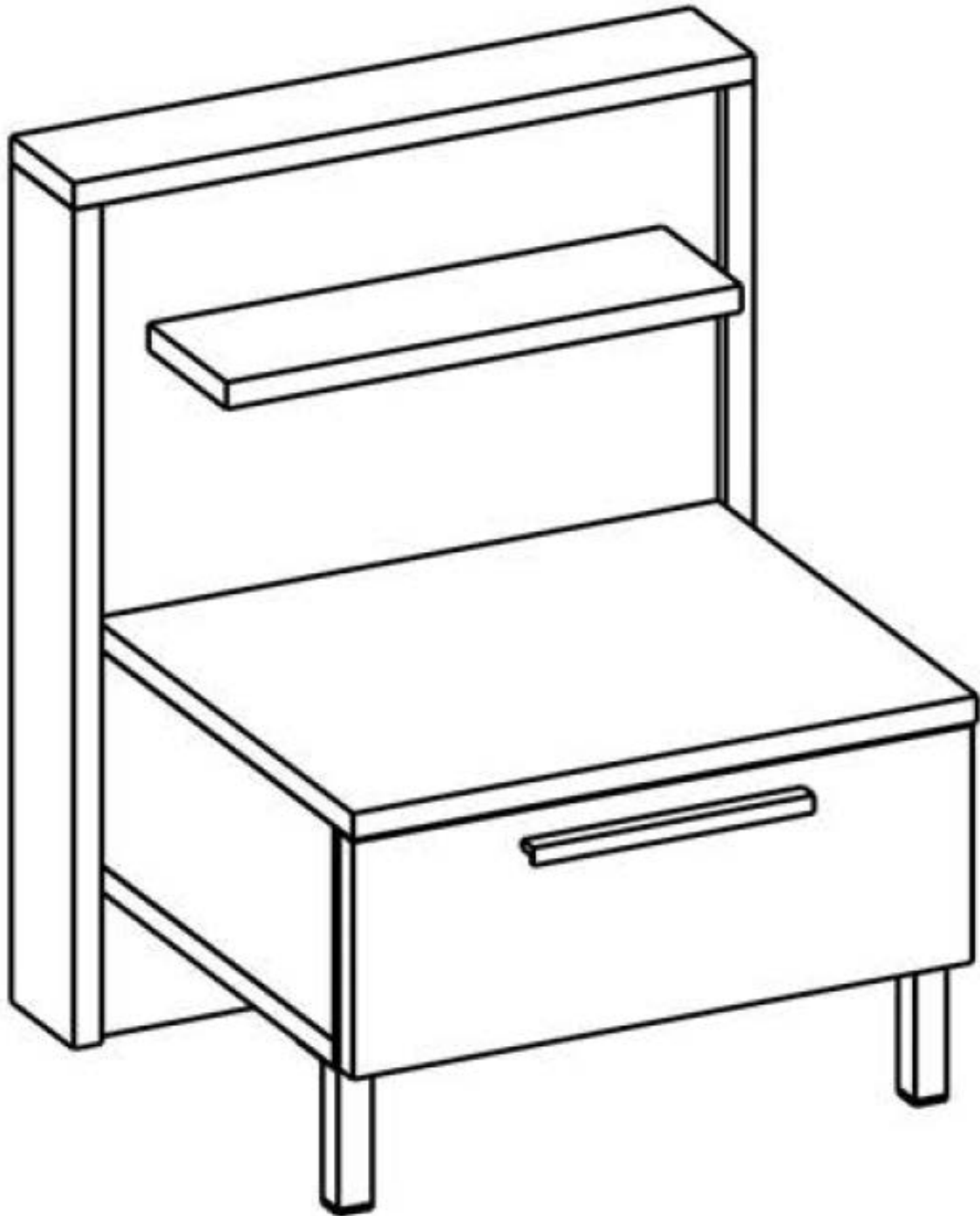
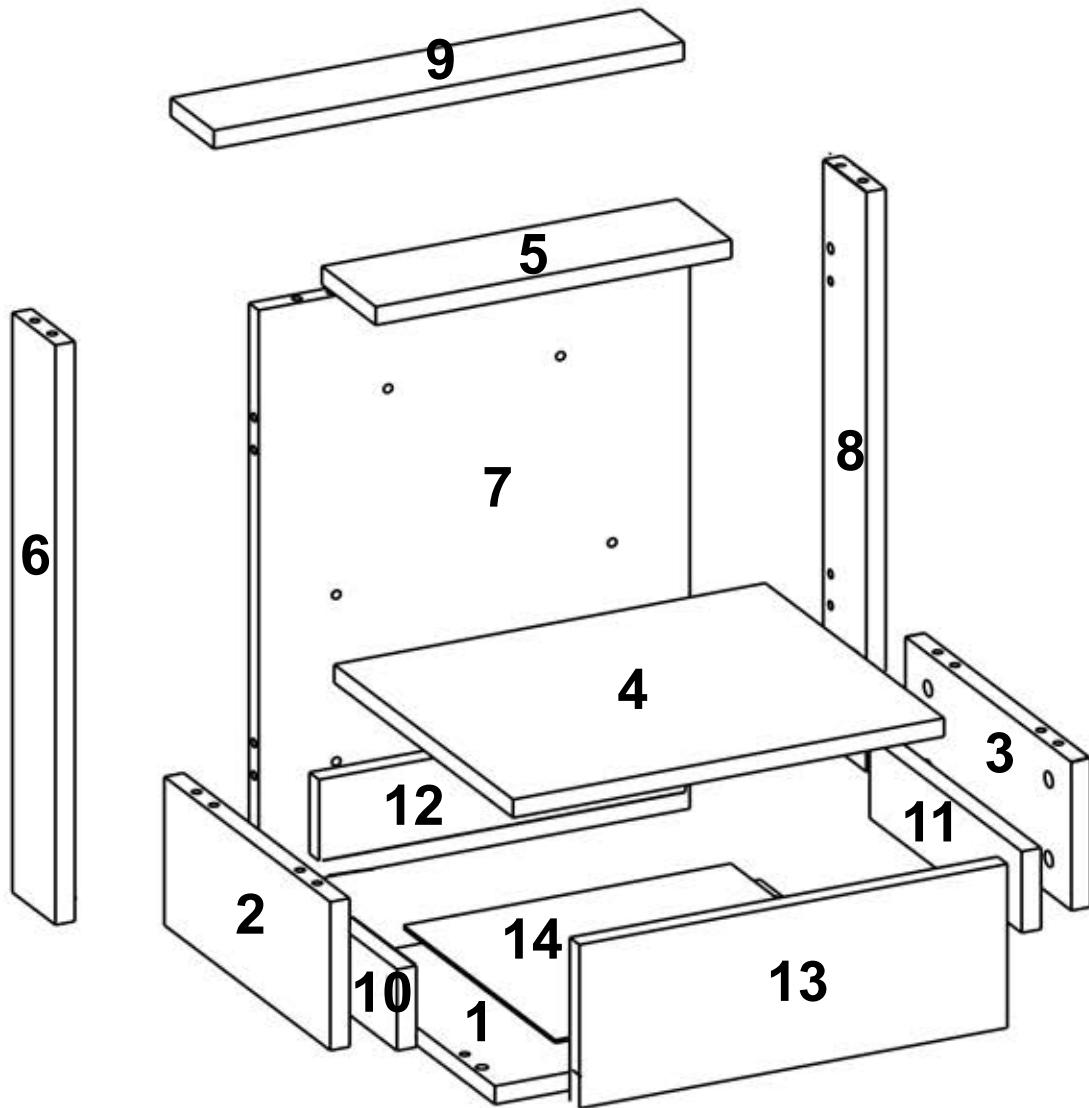
















HM5

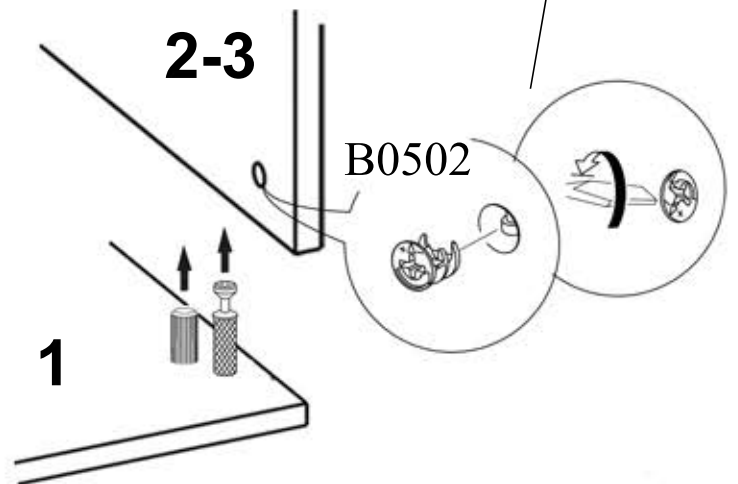
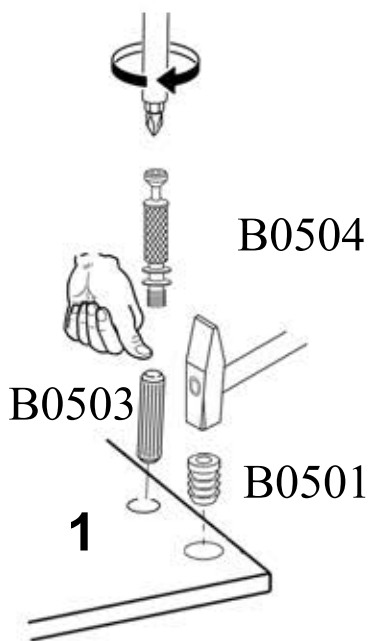
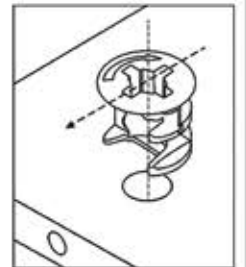
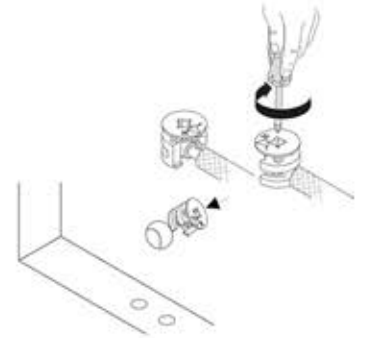
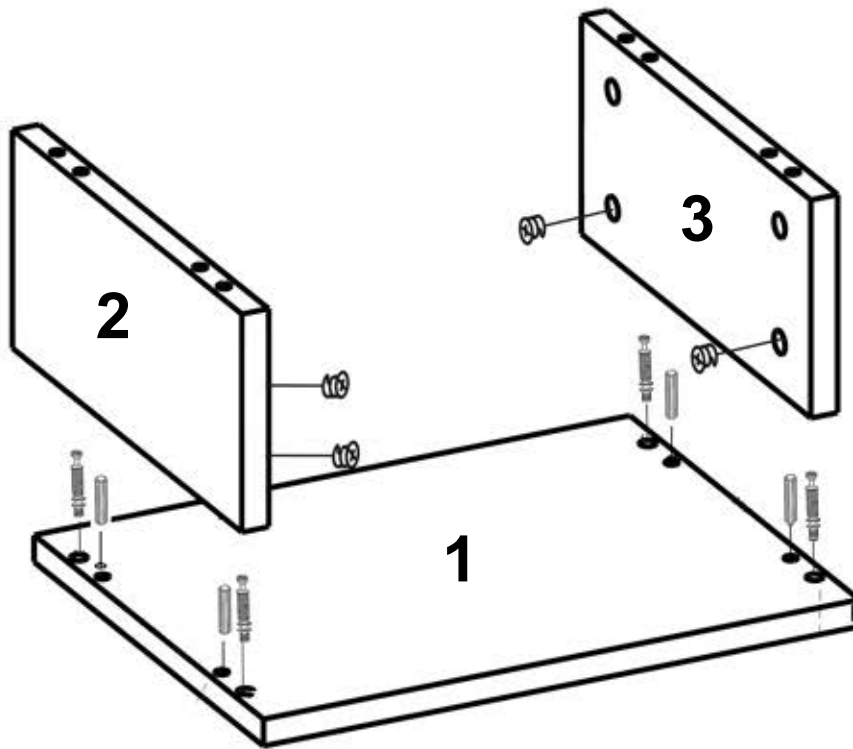
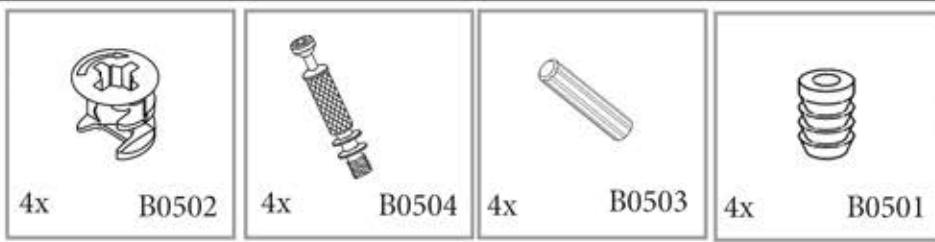
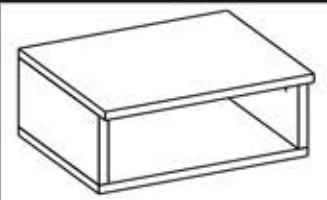


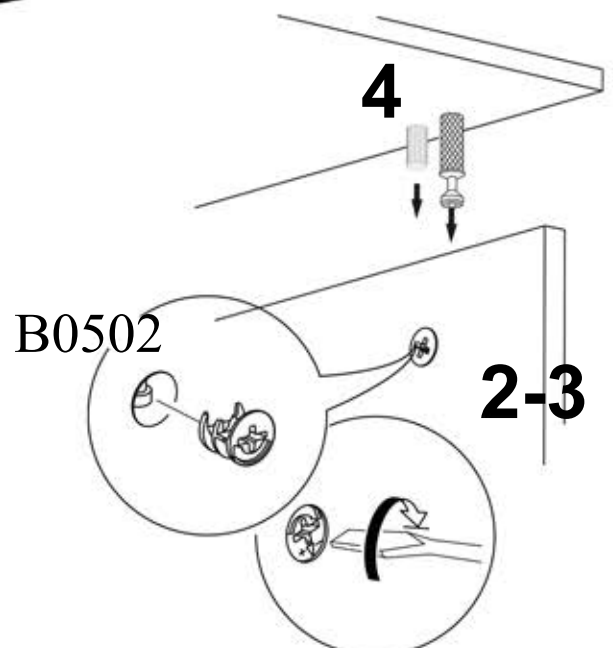
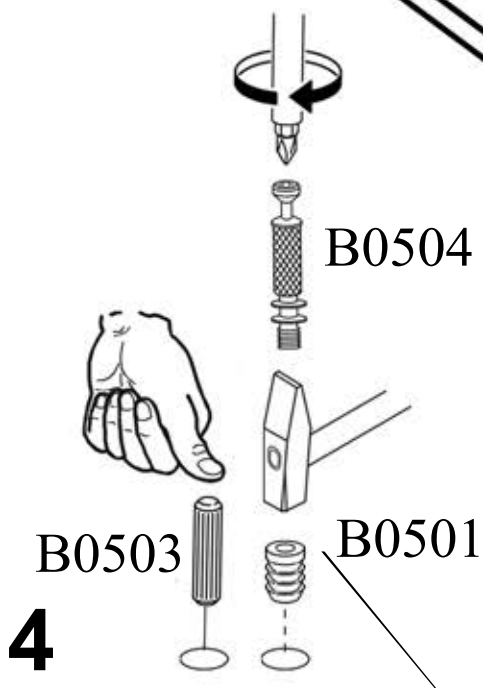
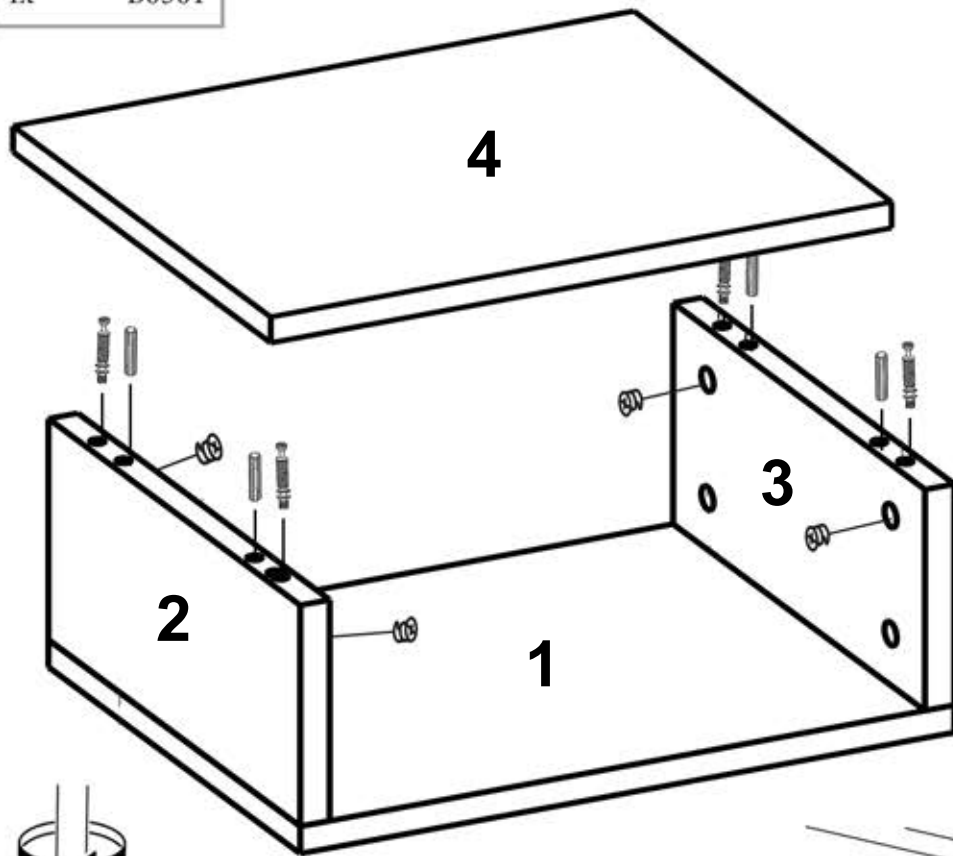
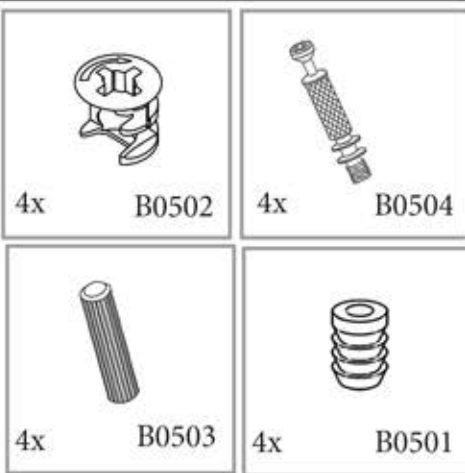
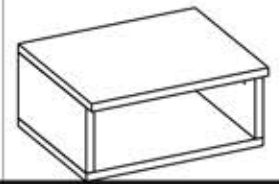


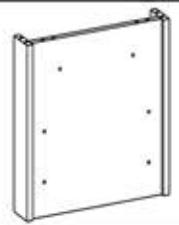
	
2x B1702	14x B0502




					
2x B0905	14x B0504	18x B0503	10x B0304	2x D0154	1x B0201

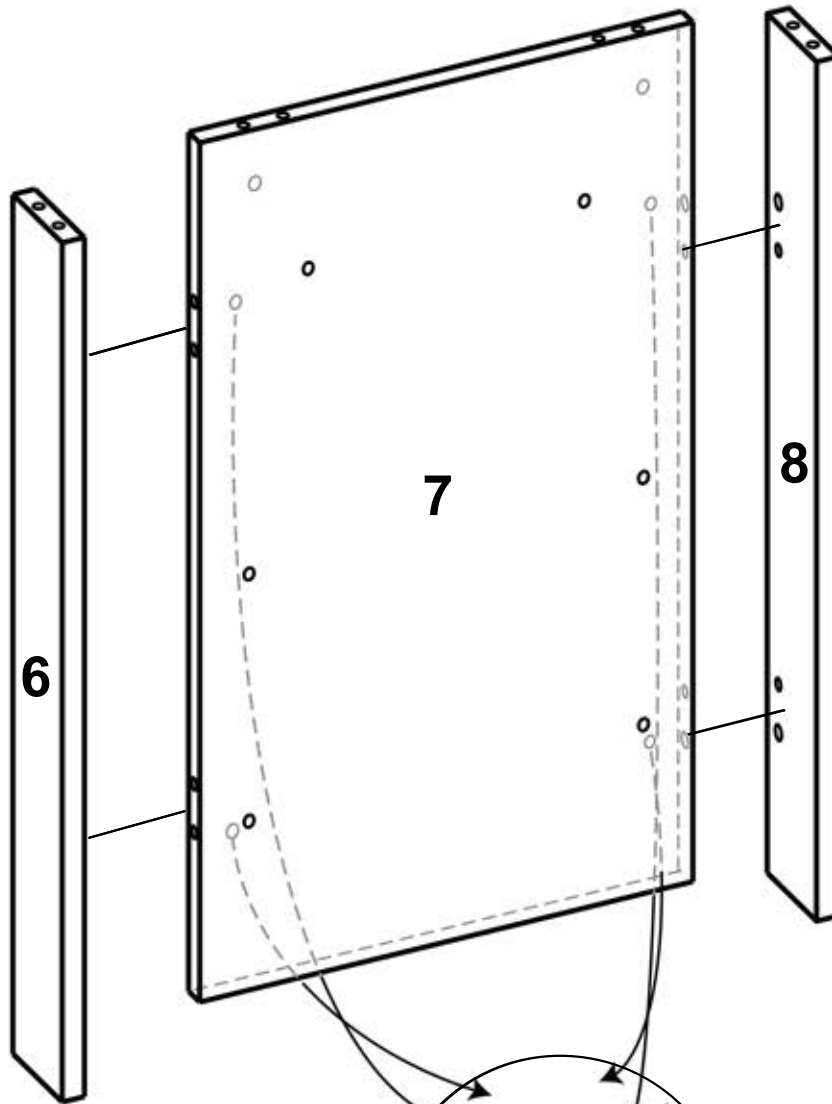
					
2x B0328	14x B0501	2x B0307	10x B0301	4x B0511	4x B0510



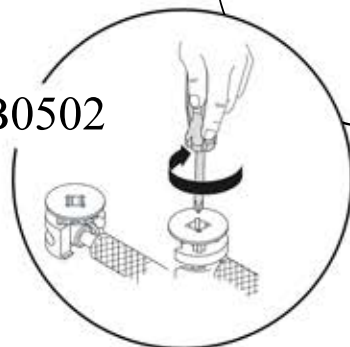




- | | | | |
|---|---|---|---|
| 
4x B0502 | 
4x B0504 | 
4x B0503 | 
4x B0501 |
|---|---|---|---|

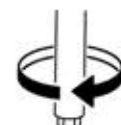
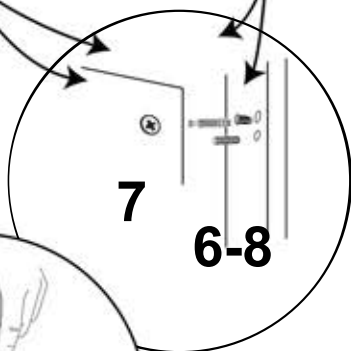


B0502

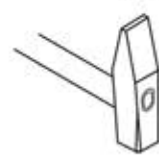


7

6-8



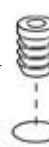
B0504

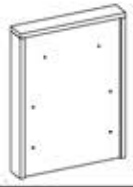


B0501

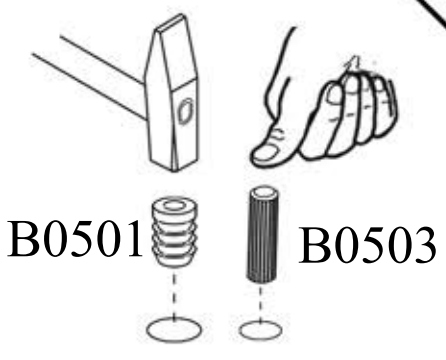
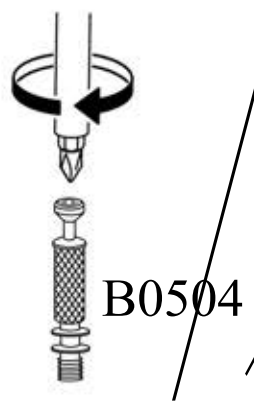
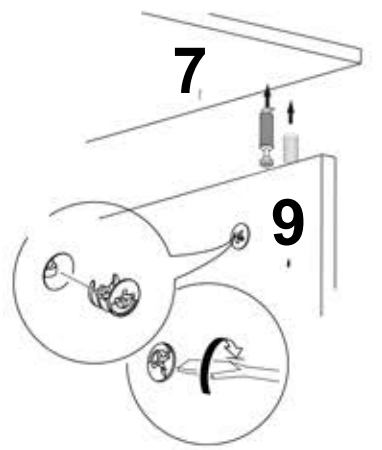
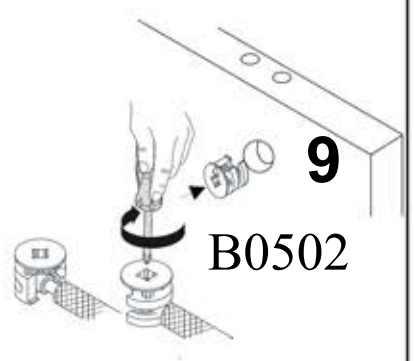
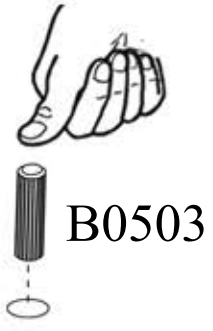
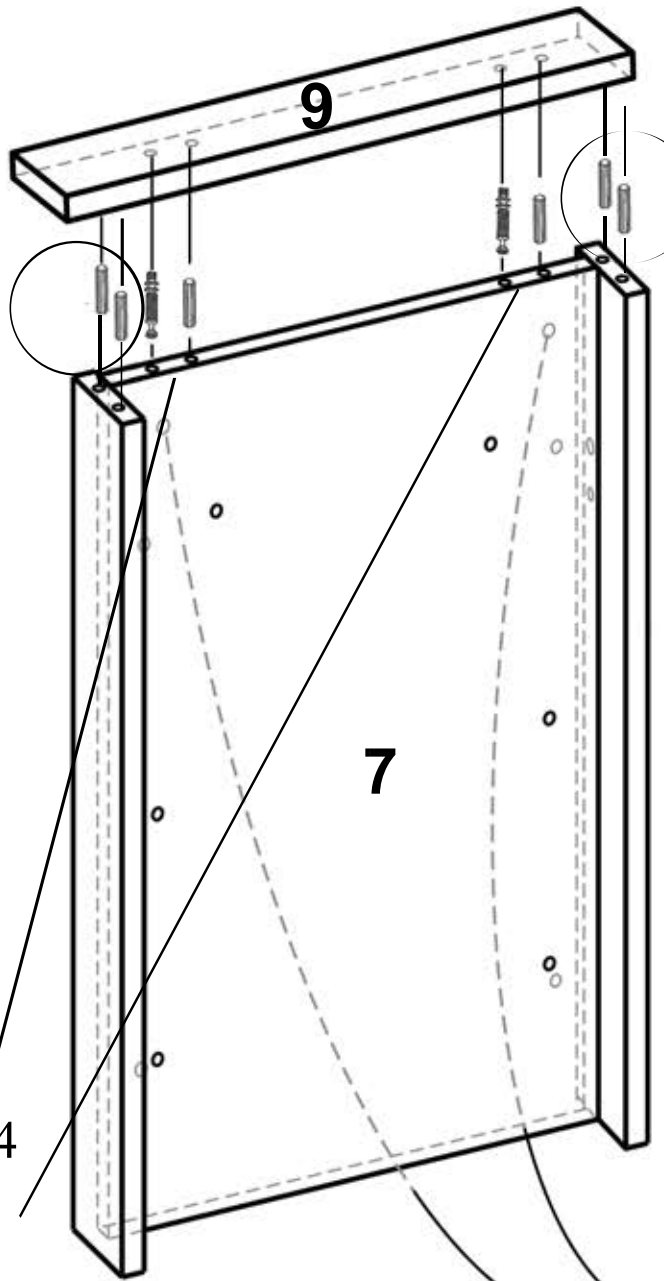


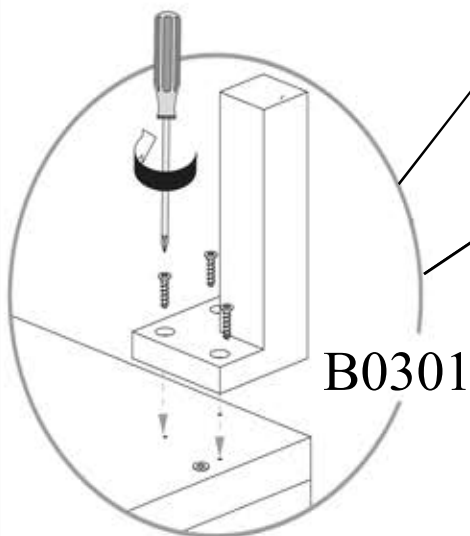
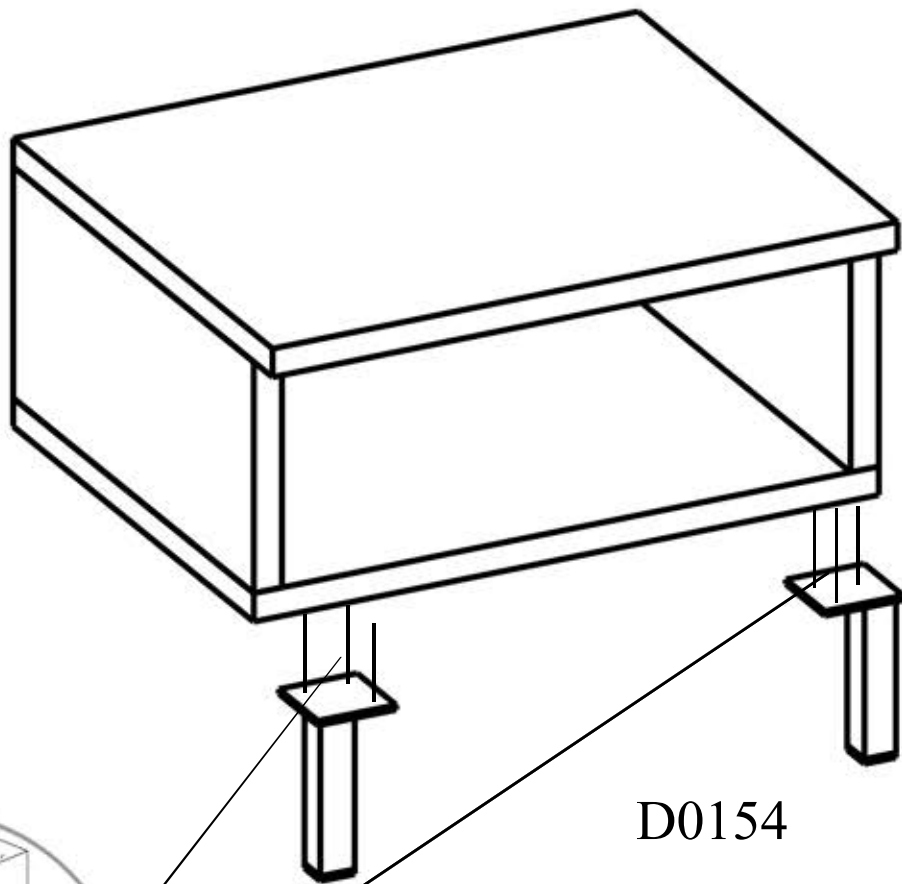
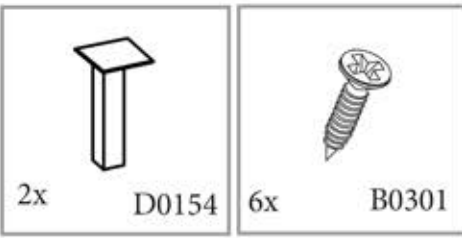
B0503





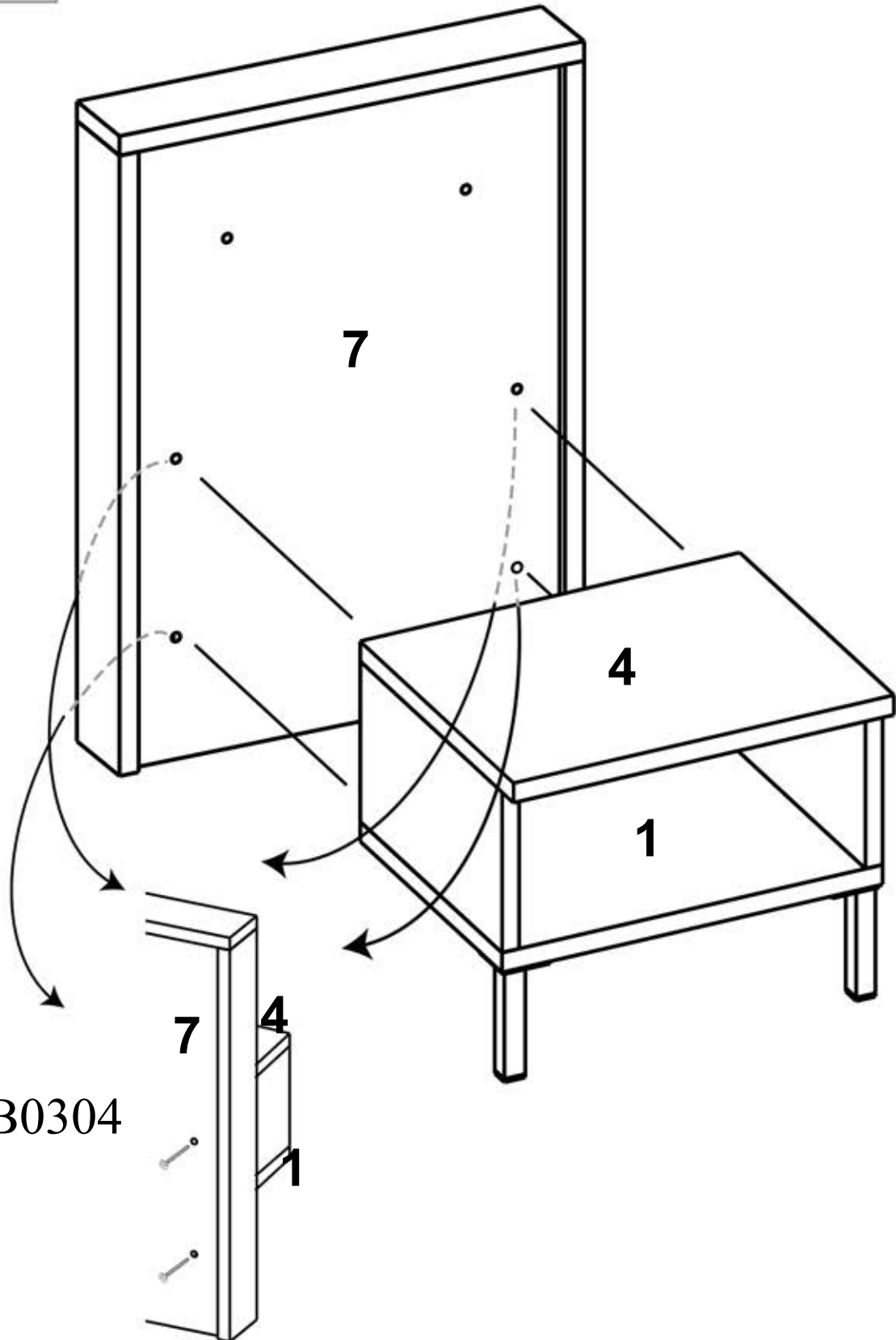
- 2x B0502
- 2x B0504
- 6x B0503
- 2x B0501

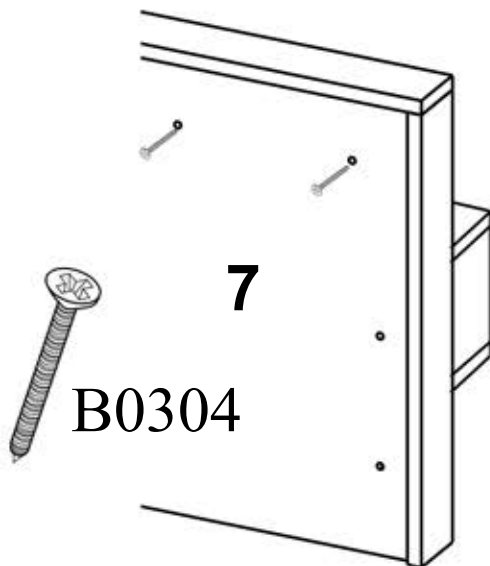
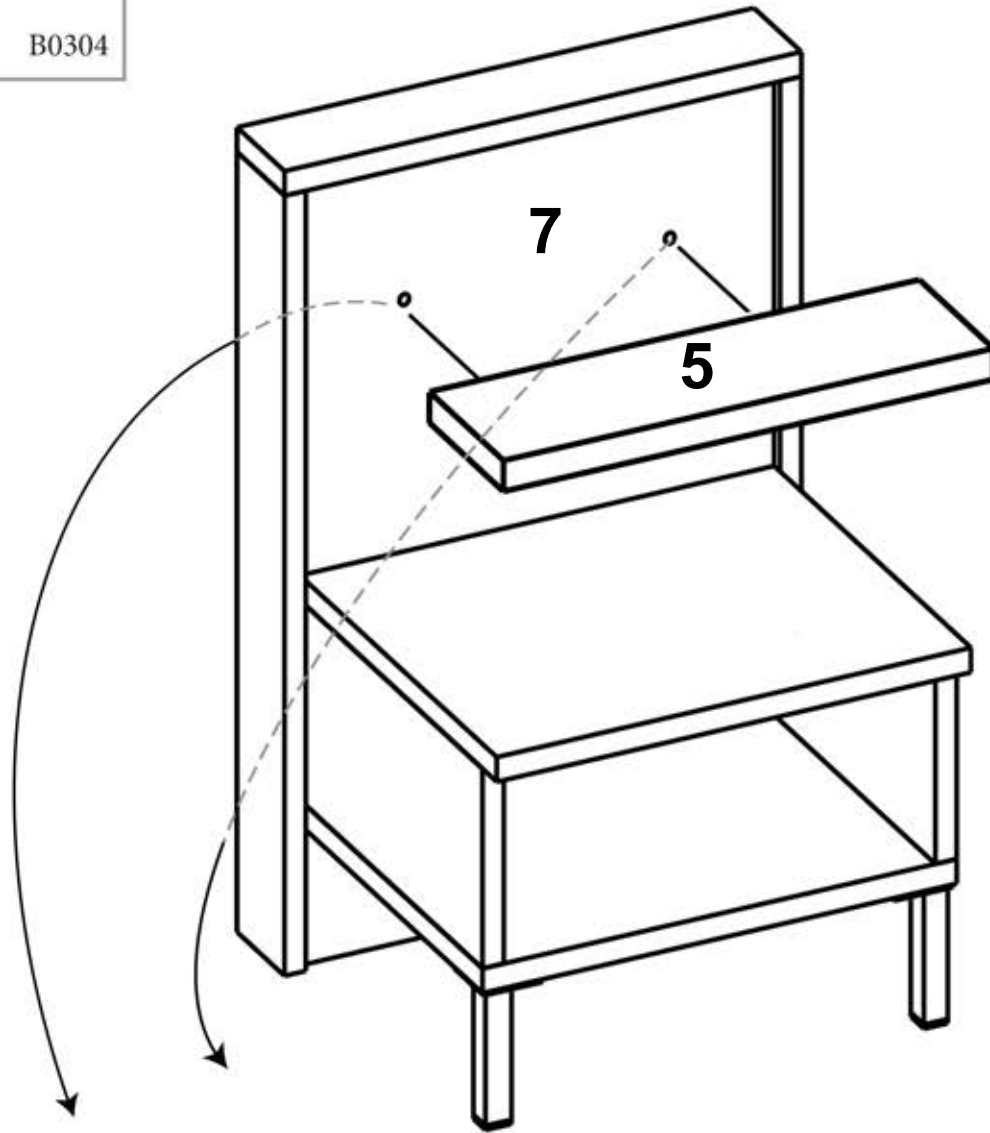


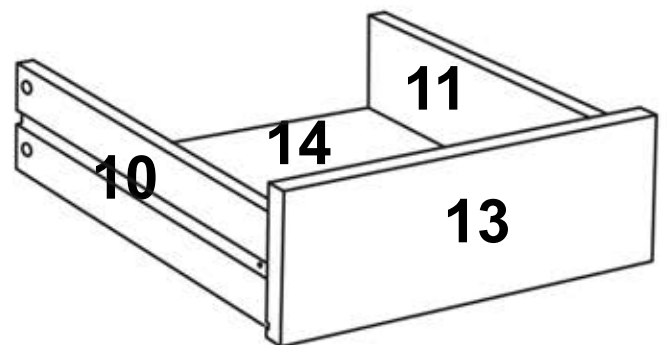
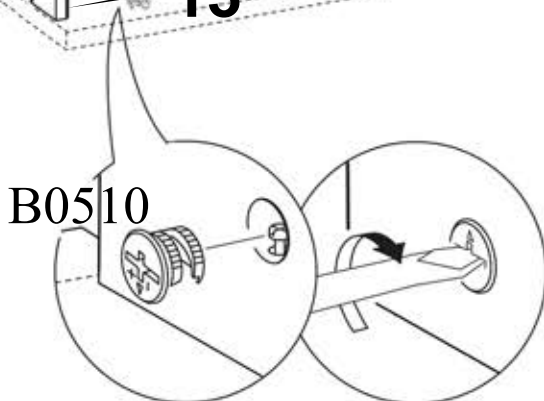
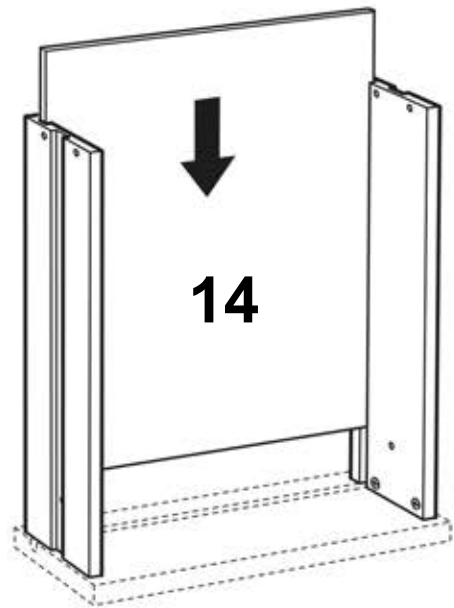
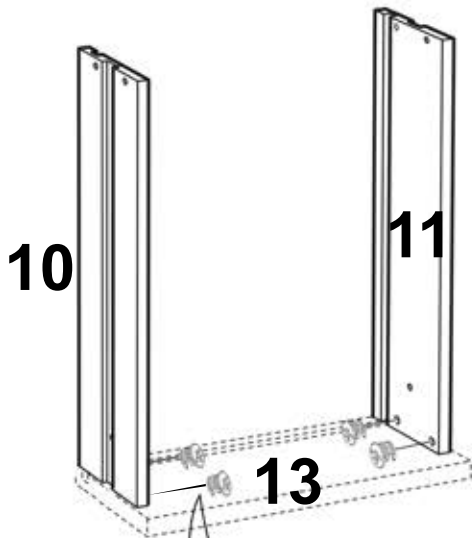
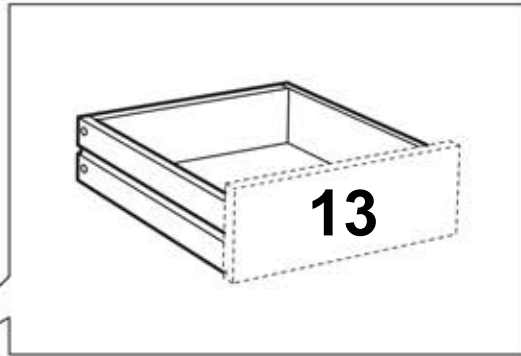
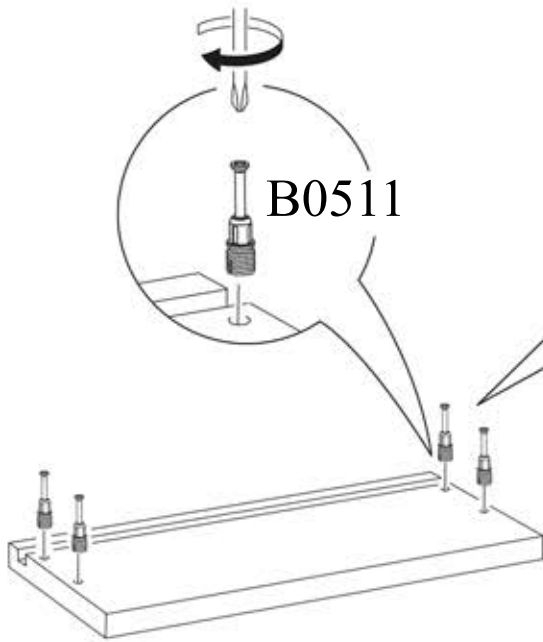


D0154

B0301

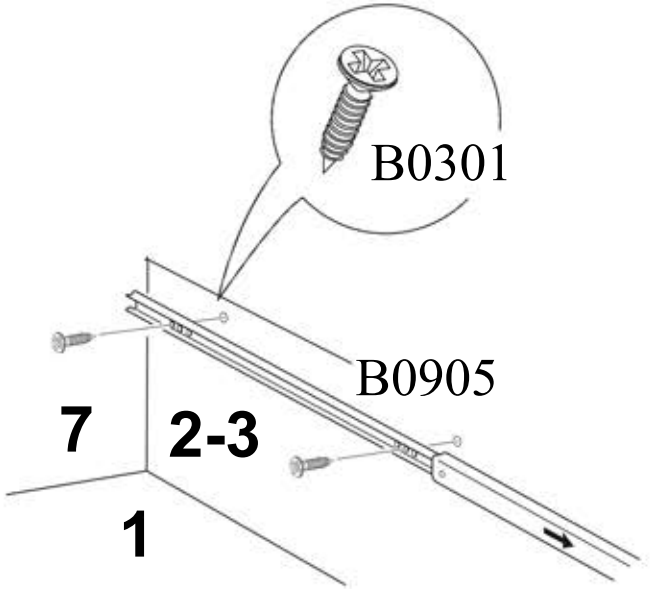
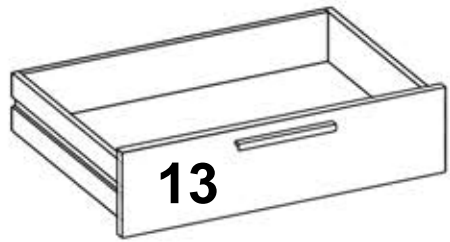
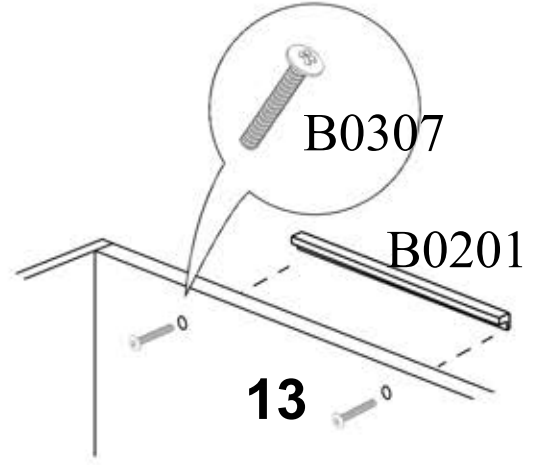
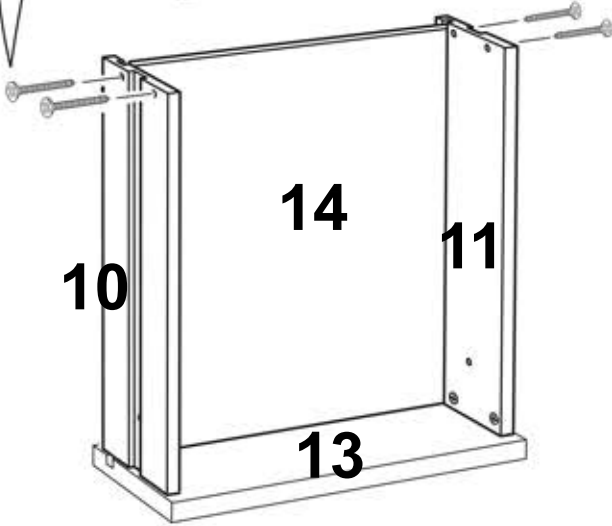
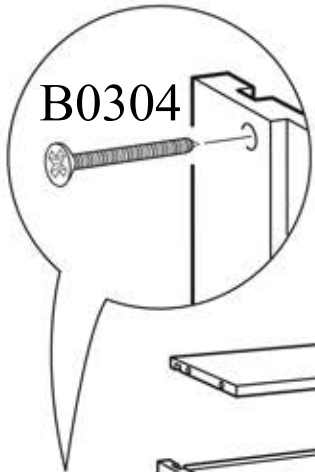








 2x B0905	 1x B0201	 4x B0304	 4x B0301	 2x B0307
--	---	---	---	---





2x B0328

